

# Machines

[csemailorders@otis.com](mailto:csemailorders@otis.com)

## Table of Contents

Preface, History & Nomenclature .....	4	<b>139HT (Yonkers)</b>	
<b>#72 Machine</b> .....	7	Armature Parts .....	27
<b>131HT (Japan)</b>		Field Coils.....	28
Armature Parts .....	9	Brush Holder Parts .....	29
Field Coils.....	10	Brake Assembly Spare Parts .....	30
Brush Holder Parts .....	10	Blower Assembly Spare Parts .....	32
Brake Parts .....	11	Drive Sheave .....	32
Brake Spare Parts.....	12		
Drive Sheave .....	13	<b>155HT</b>	
		Armature Parts .....	33
<b>131HT (Yonkers)</b>		Field Coils.....	34
Armature Parts .....	14	Brush Ring Spare Parts.....	35
Field Coils.....	15	Brake Parts .....	36
Brush Holder Parts .....	15	Secondary Sheave Spare Parts .....	38
Brake Spare Parts.....	16	Drive Sheave Spare Parts .....	39
Blower Assembly Spare Parts .....	18	Sound Isolation Equipment .....	39
Drive Sheave .....	19		
		<b>219HT</b>	
<b>139HT</b>		Armature Parts .....	40
Armature Parts .....	20	Field Coils.....	41
Field Coils.....	21	Brush Holder Parts .....	42
Brush Holder Parts .....	22	Brake Parts .....	43
Brake Lever Assembly Parts.....	23	Deflector Sheave Spare Parts.....	45
Brake Coil.....	24	Secondary Sheave Spare Parts .....	46
Brake Switch Parts.....	25	Drive Sheave Spare Parts .....	47
Drive Sheave .....	26		

# Machines

## Table of Contents

### 269HT

Armature Parts .....	48
Fields Coils .....	49
Brush Holder Parts .....	49
Brake Parts .....	50
Secondary Sheave Spare Parts .....	52
Drive Sheave Spare Parts .....	54
Sound Isolation Equipment .....	54

### Geared Elevator Machines

#### #1/2

Worm/Gear & Sundry Kits .....	56
-------------------------------	----

#### #1SWT (6119)

Worm/Gear & Sundry Kits .....	57
-------------------------------	----

#### #2SWT (6176)

Worm/Gear & Sundry Kits .....	59
-------------------------------	----

#### 9AD & 9AT .....

### 14AT

Worm/Gear & Sundry Kits .....	63
-------------------------------	----

### 17CT

Upper & Lower Gear Case Spare Parts.....	64
Worm/Gear & Sheave Shaft.....	65
Sundry Kits.....	66
Deflector Sheave Supporting Parts .....	67
Brake Assembly Parts .....	68
Brake Coupling Assembly .....	69
Drive Sheave Spare Parts .....	70
Sound Isolation Equipment .....	71

### 22CT (Yonkers)

Gear Case Spare Parts.....	72
Worm/Gear & Sheave Shaft.....	73
Sundry Kits.....	74
Sundry Kit for Inboard.....	75
Brake Assembly Parts .....	76
Brake Coupling Assembly .....	77
Drive Sheave Assembly .....	78

## Table of Contents

### 22CT (Hamilton)

Top of Gear Case Spare Parts.....	79
Worm/Gear & Sheave Shaft.....	80
Sundry Kits.....	81
Deflector Sheave Supporting Parts .....	82
Brake Assembly Parts .....	83
Brake Coupling Assembly .....	84
Drive Sheave Assembly .....	84

### 29CT

Top of Gear Case Spare Parts.....	85
Worm/Gear & Sheave Shaft.....	86
Machine Worm Shaft Kits.....	87
Machine Sheave Shaft Kits .....	87
Machine Sheave Shaft Kit, Inboard Sheave.....	88
Brake Coupling Assembly .....	89
Drive Sheave Assembly .....	89
Deflector Sheave Supporting Parts .....	90
Sound Isolation Equipment .....	90

### Escalator Machines

14VEC.....	92
------------	----

### 16VEC-RH

Worm Shaft Spare Parts .....	95
Brake Spare Parts .....	96
Worm Gear & Fan .....	97
Fan, Inspection Cover, Handwheel Spare Parts .....	97
Impulse Generator, Non-reversing device & Overspeed Governor Spare Parts.....	98

17VEC .....	99
-------------	----

<b>Bearings</b> .....	103
-----------------------	-----

<b>Brush Holder &amp; Kits</b> .....	116
--------------------------------------	-----

### Appendices

Brakes .....	122
Geared Machines Identification Table .....	126
Geared Machines Identification Table by Casting .....	127
Encoders & Couplings.....	128
Geared Machine Illustrations .....	129
Escalator Machine Illustrations.....	135
Gearless Machines .....	138

# Machines: Preface, History & Nomenclature

**NOTES**

**GENERAL**

THIS CATALOG IS NOT INTENDED TO BE AN ALL INCLUSIVE WORK (eg. COVERING ALL OF OTIS' MACHINES). WE HAVE TRIED TO INCLUDE THE MOST PREVALENT MACHINES AND THOSE WHICH ARE EXHIBITING ACTIVE SPARE PART USAGE AS OF PUBLICATION DATE. WE WILL NOT COVER (IN ANY EXTENSIVE DETAIL AT ALL), ANY MACHINES PRODUCED PRIOR TO 1924 NOR MACHINES INTRODUCED -AFTER 1999.

**GEARLESS NOMENCLATURE**

GEARLESS MACHINE NOMENCLATURE HAS VARIED FOR OTIS OVER THE LAST 100 YEARS, UTILIZING ABOUT 4 DIFFERENT BASIC TYPES OF NOMENCLATURE/NUMBERING TO DIFFERENTIATE THE MACHINES.

**EXAMPLES:**

- 17:26G EARLY SERIES (OTHER EXAMPLES: 10., 12., 14., 18: SERIES w/suffix letters varying A thru H)
- 77A 70, 80 & 90 SERIES
- 131HT HT SERIES
- 30T T SERIES (ALL POST 1999 AC machines)

A NEARLY COMPREHENSIVE LISTING OF OTIS' GEARLESS MACHINES FOLLOWS. UNDERSTAND THIS CATALOG WILL NOT CALL OUT SPARE PARTS FOR MANY OF THESE MACHINES.

10-18
12-20
12-20G
12-20H
14B
14C
14:23D
14:23E
14:23G
14:23H

17
17A
17B
17:26C
17:26D
17:26E
17:26F
17:26G
17:33

18:30
18:30A
18:30B
18:30G
18:30H
18:33C
18:33H

70
72
74
74A
74D
77
77A
77-1/2
78
79
84
84A
874 **
87
88
90

130HT
131HT
139HT
155HT
219HT
269HT
339HT

D25
156MST
15T (PM13)
30T
40T
70T
100T
PM138 (type 1)
PM138 (type 2)
PM138 (type 2A)
Gen2 1.5T
Gen2 2.5T
Gen2 5T

**NOT COVERED**

- 157HX (heavy lift helical externally geared)
- 208HX (heavy lift helical externally geared)

# Machines: Preface, History & Nomenclature

## GEARED NOMENCLATURE

GEARED MACHINE NOMENCLATURE HAS VARIED FOR OTIS OVER THE LAST 100 YEARS, UTILIZING 2 BASIC TYPES OF NOMENCLATURE/NUMBERING TO DIFFERENTIATE THE MACHINES.  
EXAMPLES:

#1 SWT EARLY # (NUMBER) SERIES (OTHER EXAMPLES: #1/2, 2,3,4,5,7)

22CT LATER - LETTER SUFFIX SERIES (OTHER EXAMPLES: 19BT, 18ATF, 29CT, 306DT, 14AX)

THERE ARE OVER 200 GEARED MACHINE TYPES LISTED IN VARIOUS PUBLICATIONS FOR OTIS GEARED MACHINES. MANY ARE SIMILAR TO EACH OTHER, BUT ALL WITH DISTINGUISHING FEATURES. HOWEVER, THIS CATALOG HAS NOT BEEN DEVELOPED TO COMMUNICATE ANYWHERE NEAR ALL OF THE DISTINGUISHING FEATURES.

AS A RESULT THE MOST BENEFICIAL ADVICE UNITEC CAN PROVIDE IS THAT FOR ANY GEARED MACHINE INSTALLED PRIOR TO ~1934, ALWAYS SEEK OUT THE OTIS SALES NUMBER AS WELL AS ANY CASTING #'s THAT CAN BE FOUND ON THE LOWER GEARCASE, UPPER GEARCASE, BRAKE ARMS, DRUM OR SHEAVE.

LISTED BELOW ARE A SAMPLING OF THE MORE COMMON TYPES OF OTIS GEARED MACHINES.

9AD (1/8)	1/2	16BT	(Escalator)	14VEC	NOT COVERED
9AT (1/8)	#1 IG (pre-1934)	38BT		16VE	NEARLY ALL PRE-1934 MACHINES
14AT (1/4A)	#1 STR (pre-1934)	43BT		16VEG	ALL 'G'
	#1 SWT				
14AX	19BT (after 1933)	17CT (Japan)		16VEC	ALL 'H'
14AY	#2 (to 1933)	17CT (Liverpool)		16VEC-RH	ALL 'K'
15AT	#2 SWT (27BT)	22CT		17VEC	ALL 'N'
15ATL	#3 SWT	29CT		17VEC-RH	ALL 'O'
	#4 SWT	215DT		27BEC	ALL D/S (double screw machines)
		306DT		EC-143	ALL MICRO machines
		315DT		EC-H2	ALL #5 machines
		18ATF		EC-H3	ALL #7 machines
					10AT,
					22CE
					215EEC (belt driven Escalator Machine)

## MEANING OF SUFFIX LETTERS FOR GEARED MACHINE DESIGNATIONS

A	WORMSHAFT SITUATED ABOVE THE RING GEAR - (eg. 18ATF)
B	WORMSHAFT SITUATED BELOW THE RING GEAR - (eg. 19BT)
C	(as 1st letter in suffix, eg. CT) - WORMSHAFT SITUATED BELOW RING GEAR - (eg. 17CT)
C	(as 3rd letter in suffix, eg. VEC) - CHAIN DRIVEN - (eg. 16VEC)
D	(as 1st letter in double letter suffix, eg. DT) - HELICAL GEARED MACHINE - (eg. 215DT)
D	(as 2nd letter in double letter suffix, eg. 9AD) - DRUM MACHINE
E	ESCALATOR (as in Escalator type machine)
G	GEAR DRIVEN
T	TRACTION MACHINE
DWT	DOUBLE WRAP TRACTION (GEARLESS ONLY)
LWT	LONG WRAP TRACTION
SWT	SINGLE WRAP TRACTION
V	VERTICAL (as in vertically mounted machine & wormshaft) - (eg. 16VEC)
X	EXTERNALLY GEARED - (eg. 14AX)

Otis machines have many unique and specific designations. We would like to take a moment to share some of these with you. You may have noticed that your Otis machine will be represented by a number followed by two or three letters. i.e., 29CT, 269HT.... etc. Following, you will find a brief explanation of these designations.

**HT** . . . *'H' is a high-rise (gearless) and 'T' is traction*

**CT** . . . *'C' means motor is flange mounted and 'T' is traction (worm runs below)*

**VEC** . . . *'V' means vertical, 'E' means it's an escalator and 'C' means chain driven*

**VEG** . . . *'V' means vertical, 'E' means it's an escalator and 'G' means gear driven*

**AT** . . . *'A' means the worm runs above and 'T' means traction*







**AD** . . . *'A' means the worm runs above and 'D' means drum*

**BT** . . . *'B' means motor is foot mounted and 'T' means traction (worm runs below)*

**SWT** . . . *This means single wrap traction*

**DWT** . . . *This means double wrap traction*



<b>BEARING</b>		
	<b>Part No.</b>	<b>Descriptions</b>
	209B27	Bearing, 7.5" O.D., 4.5" I.D. (for secondary sheave)
	104522A	Bearing, sleeve, commutator side, 5.00" O.D., 4.0" I.D.
	104524A	Bearing, sleeve, sheave side, 7.5" O.D., 6.5" I.D.
<b>BLOWER</b>		
	2700ACB1	Blower kit with 1/3 HP motor (200/230/460V)
<b>BRUSH</b>		
	AAA240AR209	Brush, carbon, 5/8" x 1-1/2"
	240F27	Brush, carbon, 5/8" x 2"
	6134G1	Brush holder assembly, for 5/8" x 1-1/2" brush
	6134G2	Brush holder assembly, for 5/8" x 1" brush
	6134G3	Brush holder assembly, for 5/8" x 1" brush, insulated
	306GM1	Brush holder base (for 6134G1 & 6134G2)
	306GM2	Brush holder base (for 6134G3)
	178T2	Brush holder box (for 6134G1)
	178T1	Brush holder box (for 6134G2 & 6134G3)
131145	Brush stem	
<b>BUSHING</b>		
	335E74	Bushing, brake shoe to brake lever
	806655	Bushing, insulating
	298DF128	Insulating, strip
<b>COIL</b>		
	141546	Coil, brake (-Others Possible)
	221BT1	Coils, field (set of 4)
<b>GREASE</b>		
	VP-420240	Grease, Otis #12, 14.5 oz tube (sold in cases of 10)



# Machines: 72 (1945-1979)

## LINING



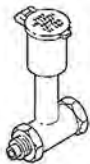
**Part No.** AAA416AZ8  
**Descriptions** Lining, brake  
 No Longer Available Individually - Contact OSC

## MAGNET



**Part No.** 400CH6  
 400CJ5  
**Descriptions** Magnet core assembly, male (shown)  
 Magnet core, female (both - special order)

## OIL



**Part No.** 6757A1  
**Descriptions** Oil overflow



## PLUG



**Part No.** VP-836496  
 VP-836497\*  
**Descriptions** Plug, pipe, 1/2"  
 Plug, pipe, 1/4"

\*This item requires special order

## SEAL



**Part No.** 33D21 Seal, 4-1/8" I.D., 5-1/8" O.D., split  
 33A1 Seal, 4-15/16" I.D., 6-1/8" O.D.  
 33A4 Seal, 7-15/16" I.D., 9-1/8" O.D.

## SPRING



**Part No.** 288CD1  
 92A4  
**Descriptions** Brush holder spring arm  
 Spring, brush holder

## TUBE

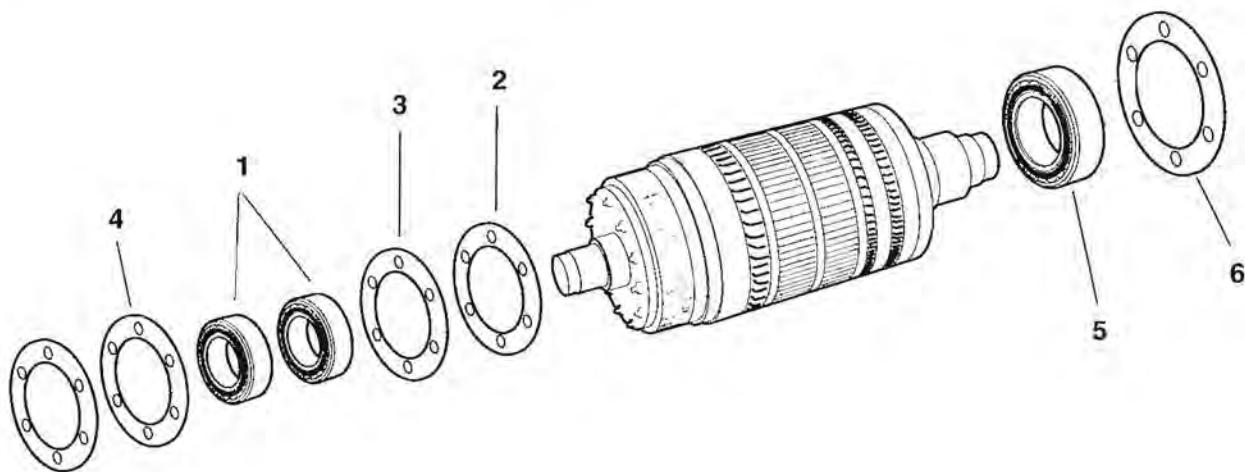


**Part No.** 136AG2  
**Descriptions** Tube, magnet core

## 131HT (Japan)

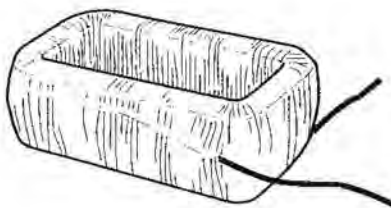


### Armature Spare Parts



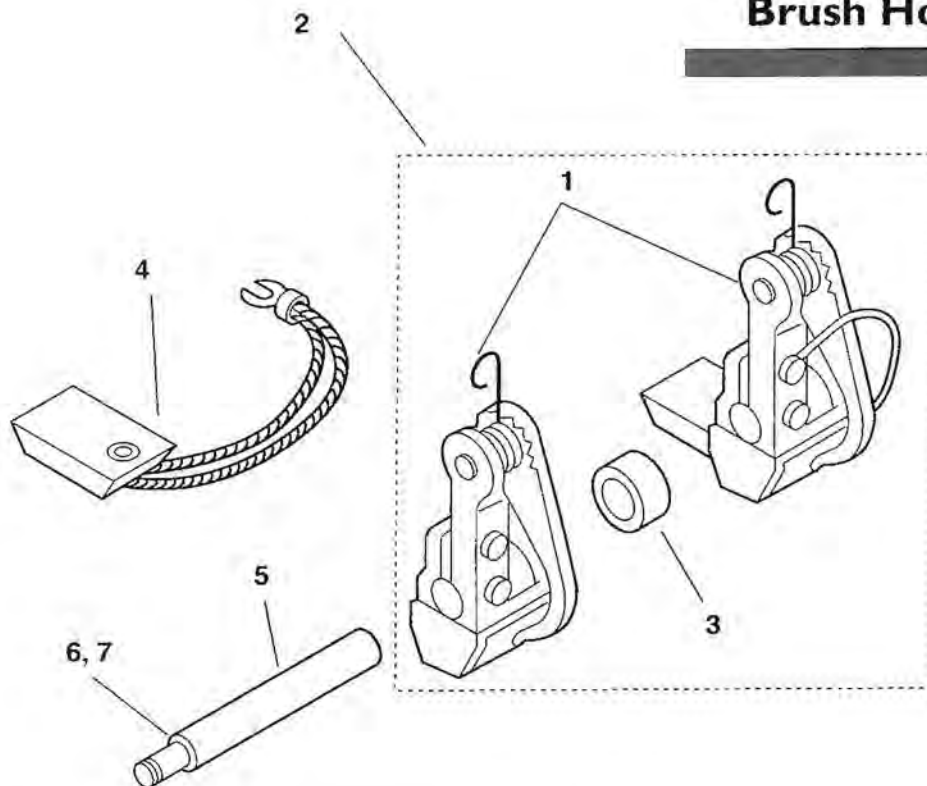
Ref. No.	Part No.	Descriptions
1.	209B21	Bearing, 4.94" O.D., 3.28" I.D.
2.	A376CB1	Shim, .06" Thk, 7.25" O.D.
3.	255BM3	Shim, .003" Thk, 6-15/16" O.D., green
4.	255BM4	Shim, .005" Thk, 6-15/16" O.D., blue
5.	209P1	Bearing, 10.6" O.D., 5.9" I.D.
6.	255CG1	Shim, .003" Thk, 13" O.D., green

**Field Coils**



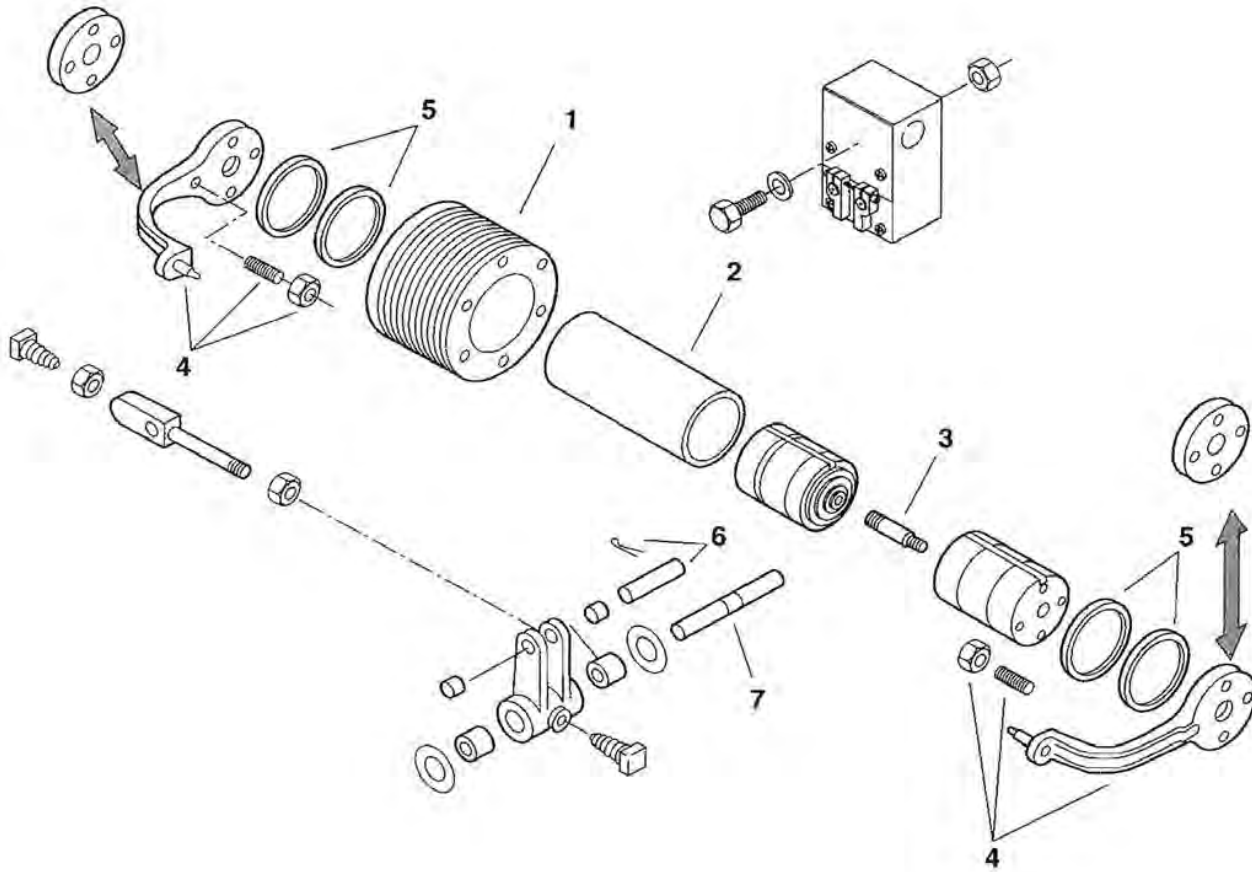
Part No.	Descriptions
221BD1	Field coil, set of 6

**Brush Holder Parts**



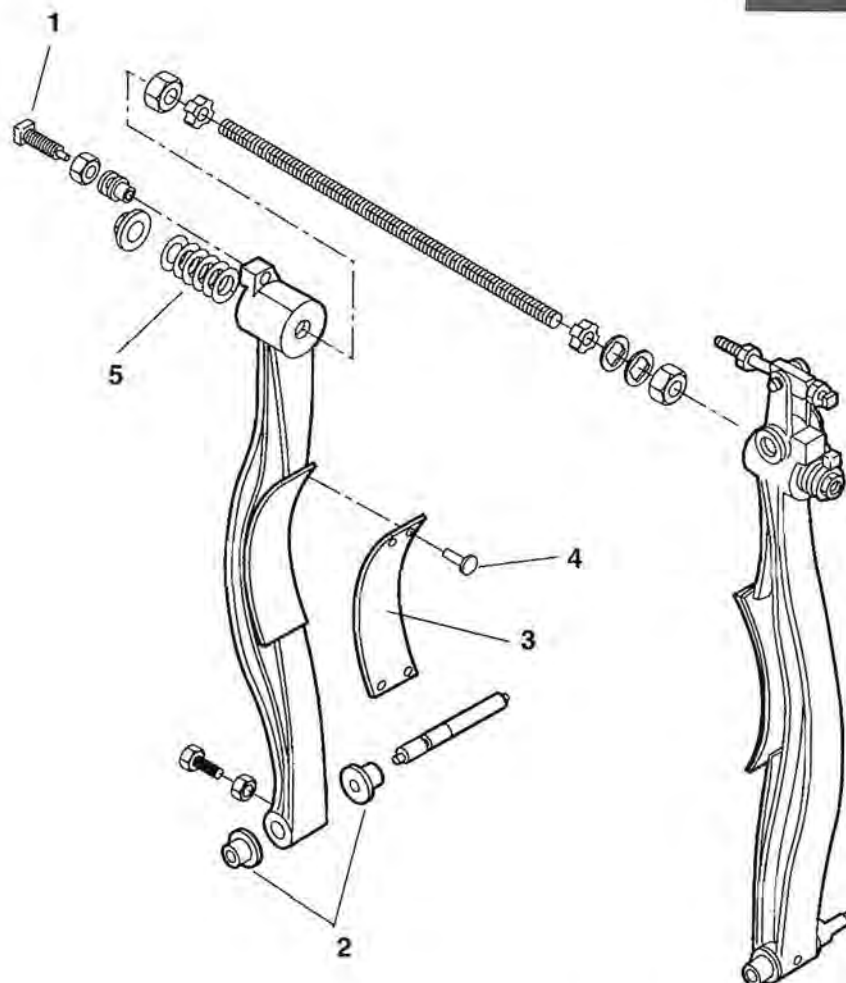
Ref. No.	Part No.	Descriptions
1.	6134B5	Brush holder, .878" I.D.
2.	6134B6	Brush holder, .903" I.D., insulated
3.	298DF129	Insulation strip
4.	AAA240AR206	Brush, 1.5 W, with clip
5.	J0474A1	Brush stem
6.	127VB42	Washer for stem 1-1/4" x 1/8"
7.	130R6	Washer for stem .53" O.D., .55" I.D.

## Brake Parts



Ref. No.	Part No.	Descriptions
1.	222JA15	Coil, magnet, tapered
2.	136R10	Tube, magnet core
3.	77RG2	Pin
4.	287AZ2	Arm, switch
5.	128AG53	Washer
6.	82R3	Pin
7.	77LG3	Pin

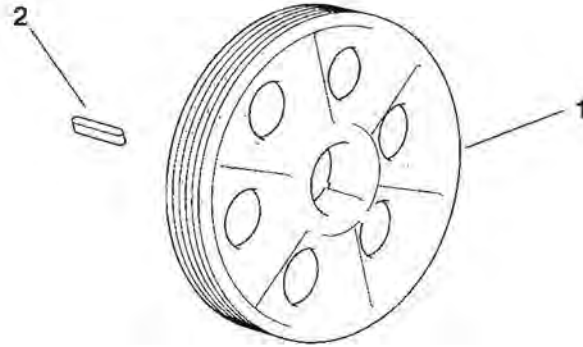
## Brake Spare Parts



Ref. No.	Part No.	Descriptions
1.	81BN2	Pin
2.	335H43	Bushing
<del>3.</del>	<del>B416Y1</del>	<del>Lining, brake shoe</del>
4.	145C3	Rivets
5.	90JD11	Spring, compression

No Longer Available  
Individually. Contact OSC

## Drive Sheave

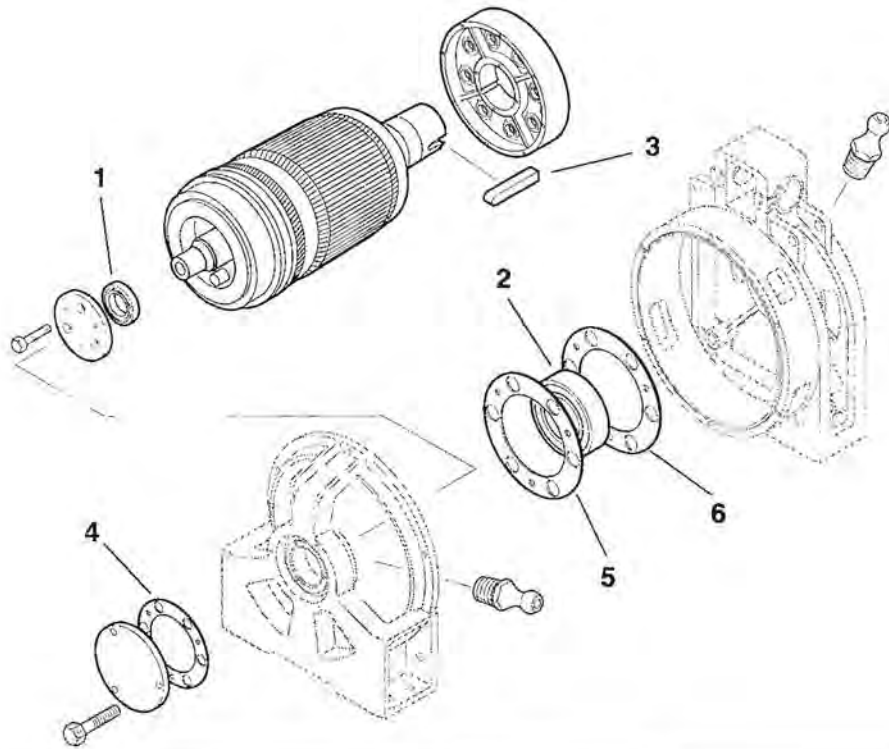


Ref. No.	Part No.	Descriptions
1.	JX260AJ4	Drive sheave, 27.56" O.D.
2.	192D37	Key, steel

# 131HT (Yonkers)

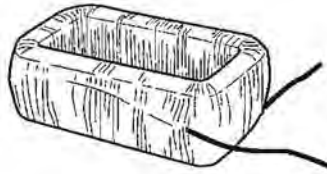


## Armature Spare Parts



Ref. No.	Part No.	Descriptions
1.	209B21	Bearing, roller, 4.9" O.D., 3.2" I.D.
2.	209P1	Bearing, roller, 10.6" O.D., 5.9" I.D.
3.	192D37	Key
4.	255BM3	Shim, .003" thk, green, 6-15/16" O.D.
5.	255BM4	Shim, .005" thk, blue, 6-15/16" O.D.
6.	255CG1	Shim, .003" thk, green, 13" O.D.

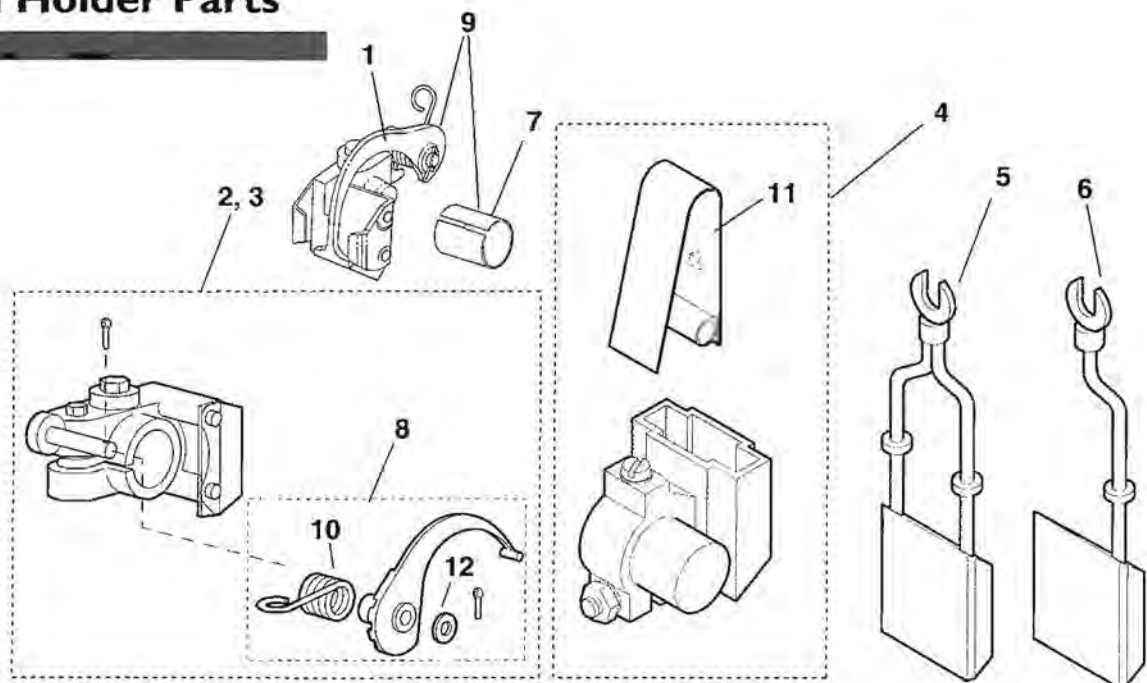
## Field Coils



Part No.	Descriptions
----------	--------------

221BD1	Field coil, set of six
--------	------------------------

## Brush Holder Parts

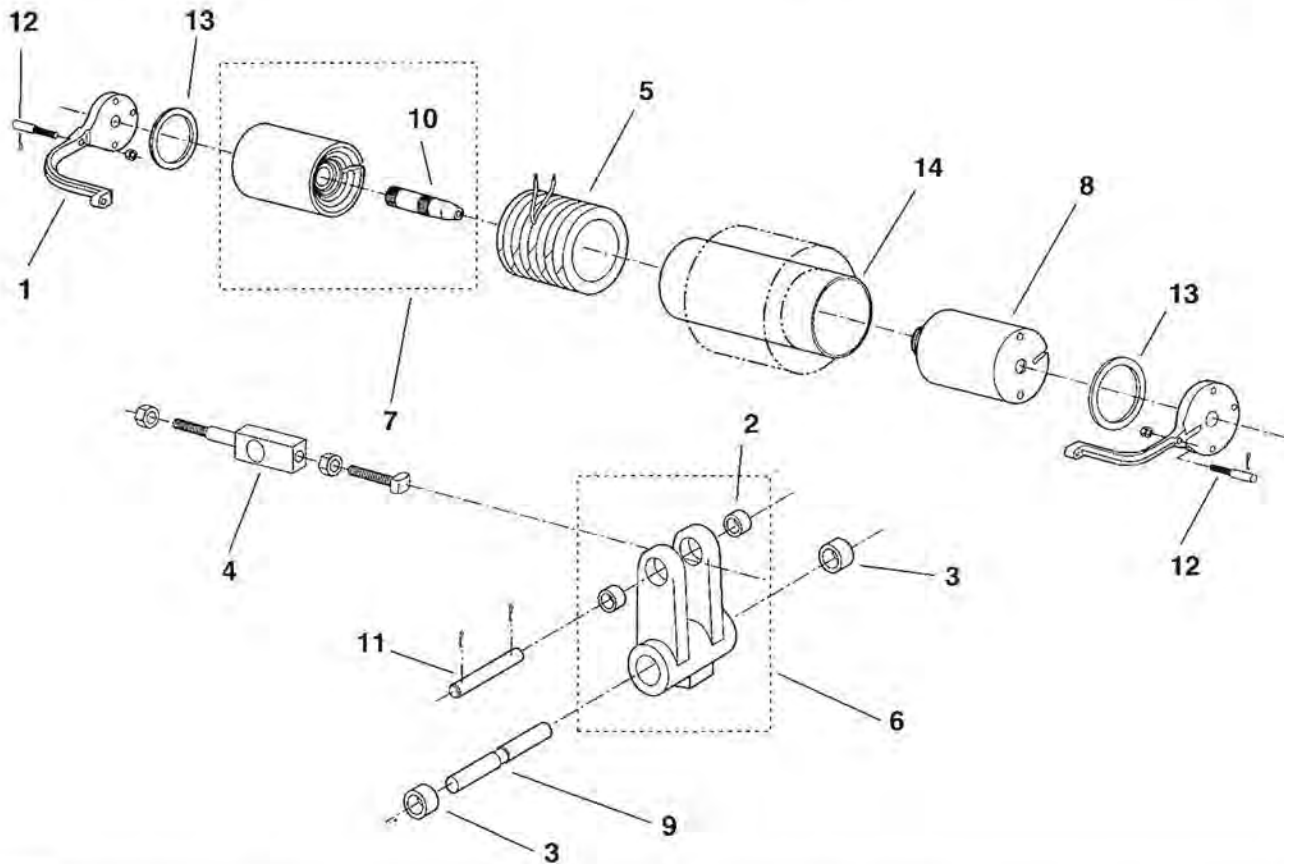


Ref. No.	Part No.	Descriptions
----------	----------	--------------

- |     |             |  |
|-----|-------------|--|
| 1.  | 288CD4      | Arm                                      |
| 2.  | 6134B5      | Brush holder assy, .875" I.D.            |
| 3.  | 6134B6      | Brush holder assy, .902" I.D., insulated |
| 4.  | 6134J4      | Brush holder assy, .902" I.D.            |
| 5.  | AAA240AR205 | Brush, shunt double                      |
| 6.  | AAA240AR206 | Brush, shunt single                      |
| 7.  | 298DF129    | Insulating strip                         |
| 8.  | L05000E705  | Kit (arm, spring, washer, cotter pin)    |
| 9.  | L02000FA318 | Kit, (Brush holder, insulating strip)    |
| 10. | 92A4        | Spring                                   |
| 11. | 93FC2       | Spring                                   |
| 12. | 128AF12     | Washer                                   |



## Brake Spare Parts

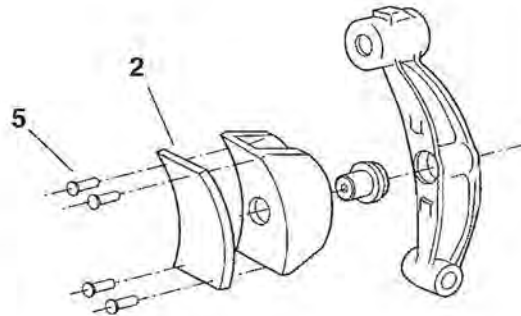


Ref. No.	Part No.	Descriptions
----------	----------	--------------

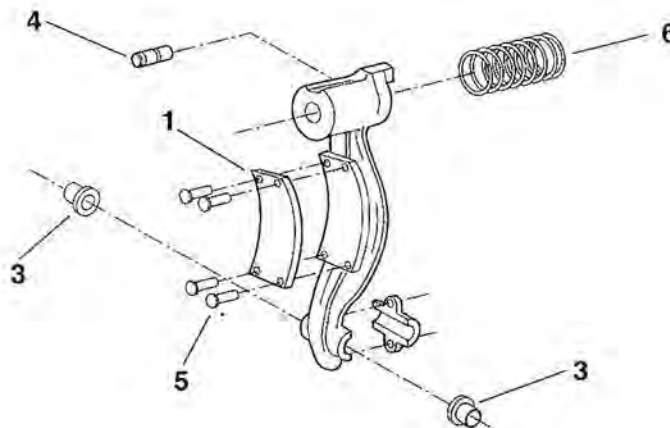
1.	287AZ2	Arm
2.	209A6	Bearing, 1.12" O.D., .875" I.D.
3.	209A7	Bearing, 1.5" O.D., 1.25" I.D.
4.	65GA3	Bolt
5.	222JA15	Coil
6.	B288HX2	Lever w/bearing
7.	400DB4	Magnet core, female w/pin
8.	400DD4	Magnet core, male
9.	77LG3	Pin
10.	77RG2	Pin
11.	82R4	Pin
12.	96R4	Rod
13.	128AG53	Washer
14.	136R10	Tube

## Brake Spare Parts

1955-1961

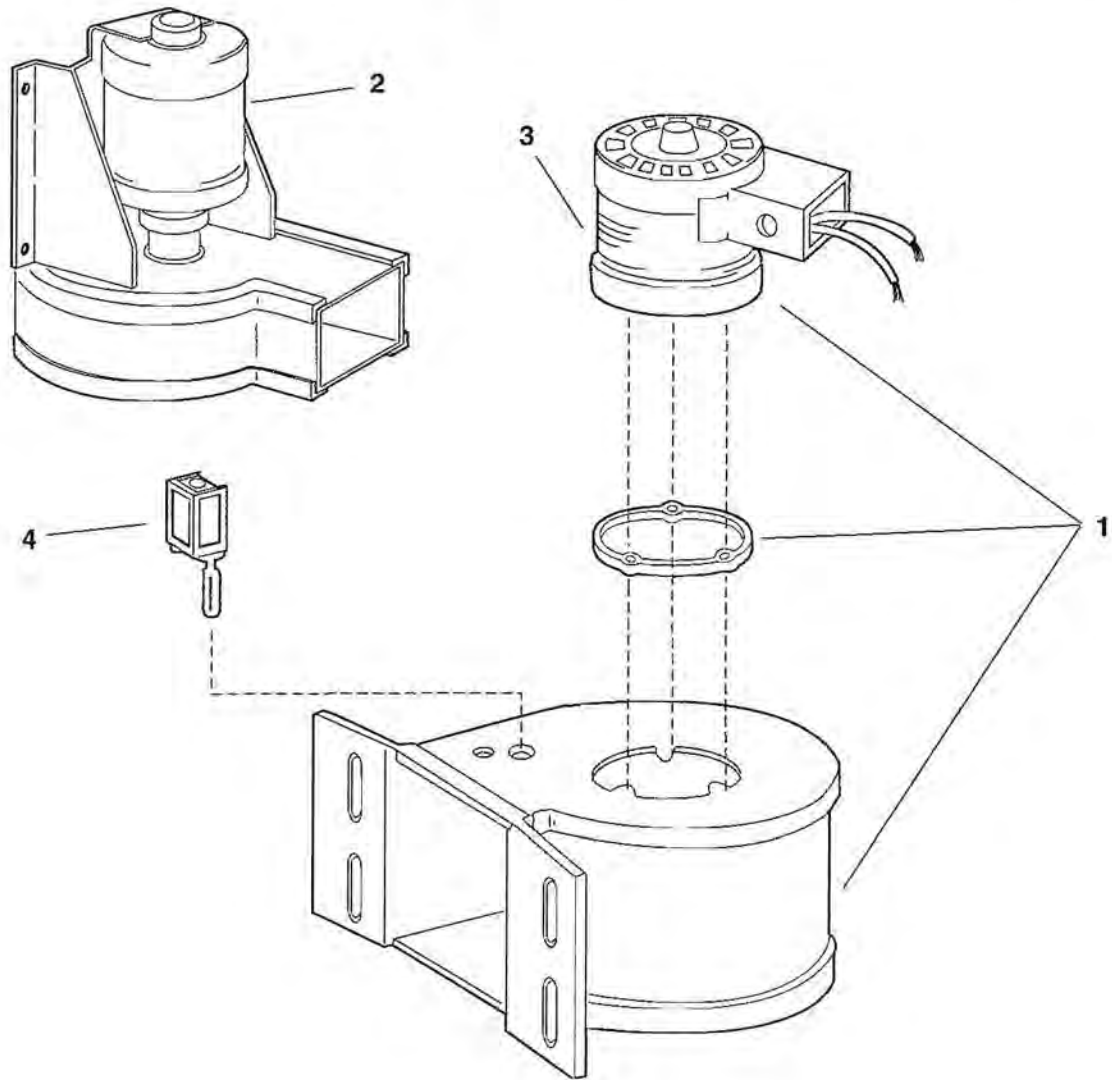


1961-1983



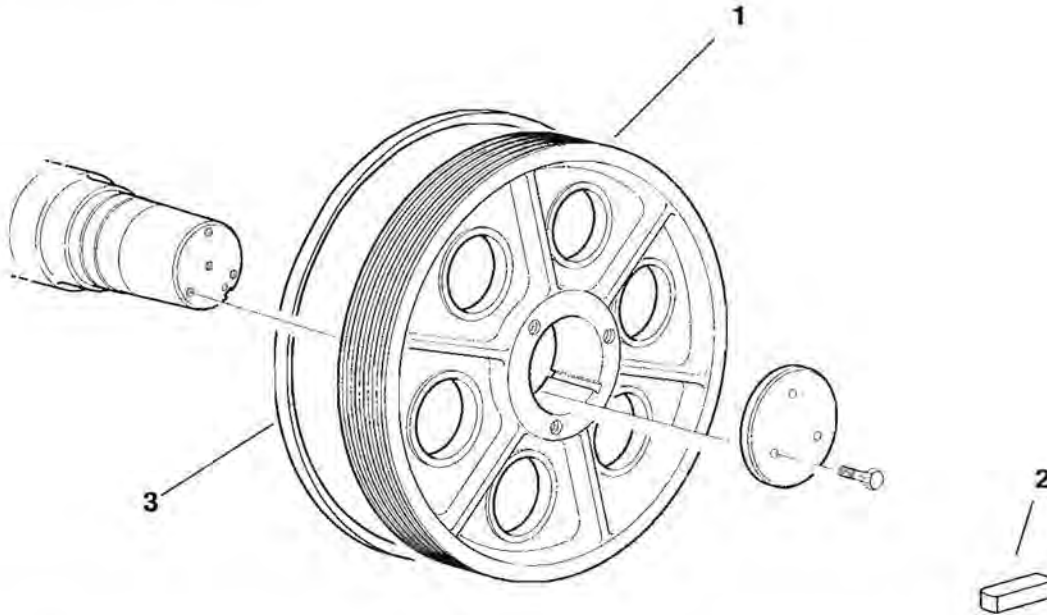
Ref. No.	Part No.	Descriptions
1.	B416Y1	Brake lining, 4" x 11.25" No Longer Available Individually.
2.	416Y1	Brake lining, 4" x 14.75" Contact OSC
3.	335H43	Bushing, brake frame
4.	81BN2	Pin
5.	145C3	Rivet, .875"
	145C4	Rivet, 1"
6.	90JD11	Spring

## Blower Assembly-Spare Parts



Ref.	Part No.	Description
1.	6091BA2	Blower assembly
2.	2700ADD3	Blower assembly
3.	6333DH1	Motor
4.	177CA3	Switch, air flow

## Drive Sheave

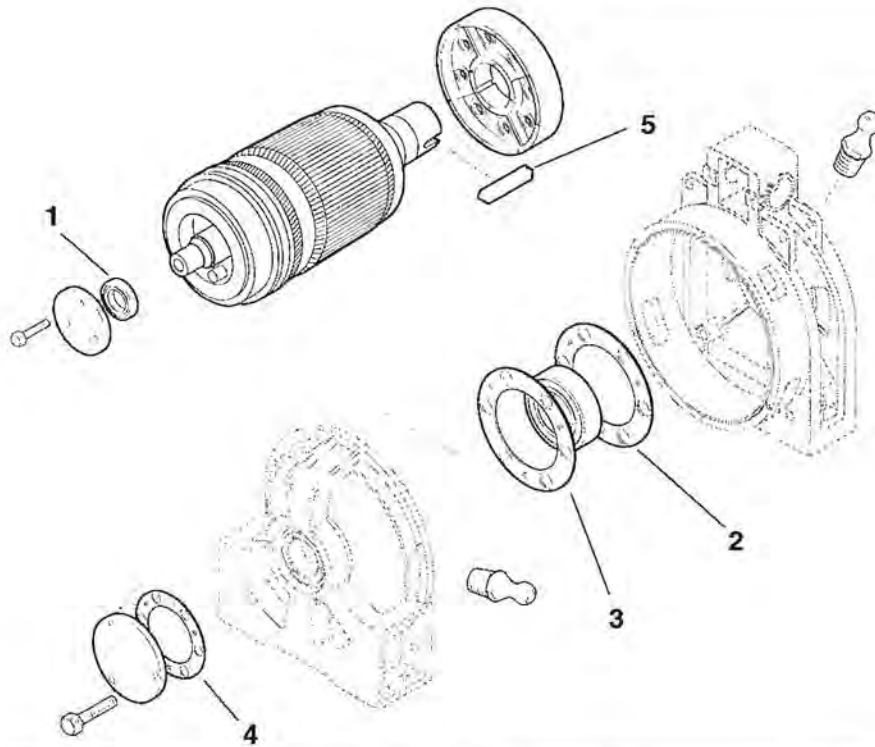


Ref. No.	Part No.	Descriptions
1.	260BP1	27" Drive sheave, 4 ropes
	260BP4	27" Drive sheave, 5 ropes
	260AJ1	27" Drive sheave, 6 ropes, 105° undercut groove
	260AJ2	27" Drive sheave, 5 ropes, 105° undercut groove
	260AJ3	27" Drive sheave, 6 ropes, 90° undercut groove
	260AJ4	27" Drive sheave, 5 ropes, 90° undercut groove
2.	192D37	Key
3.	AAA251BT8	Insert, grooved, polyurethane for 27" sheave, 1/2" ropes

# 139HT

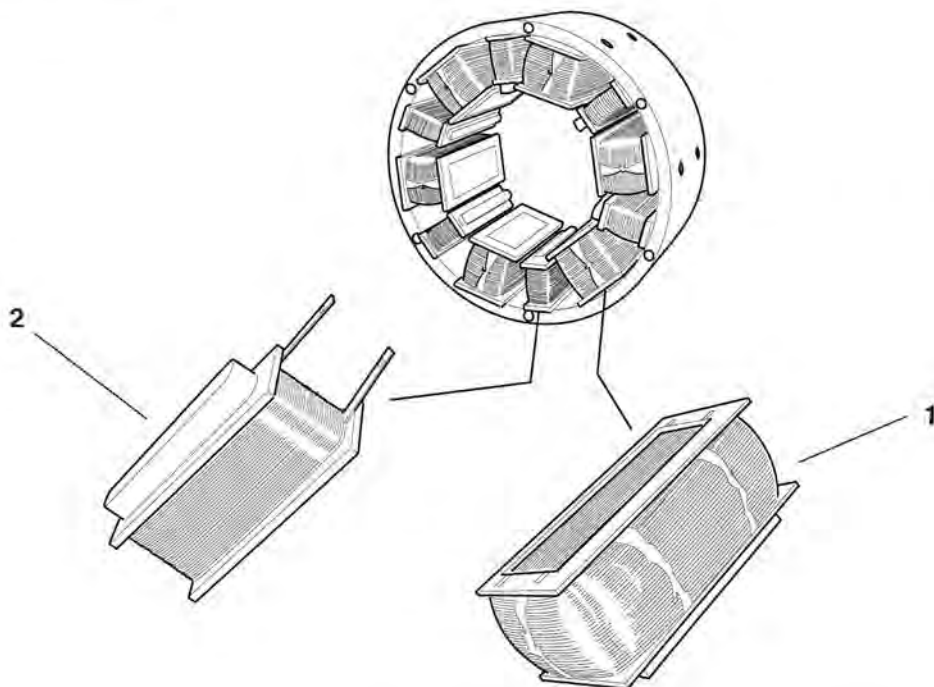


## Armature Spare Parts



Ref. No.	Part No.	Descriptions
1.	207Z73	Bearing, ball, 5.5" O.D., 3.1" I.D.
2.	209G14	Bearing, roller, 9.84" O.D., 5.51" I.D.
3.	AAA376FT3	Gasket, paper, 12.44" O.D.
4.	AAA376FT2	Gasket, vellumoid, 7.88" O.D.
5.	192G107	Key, brake pulley, 3/4" x 3"

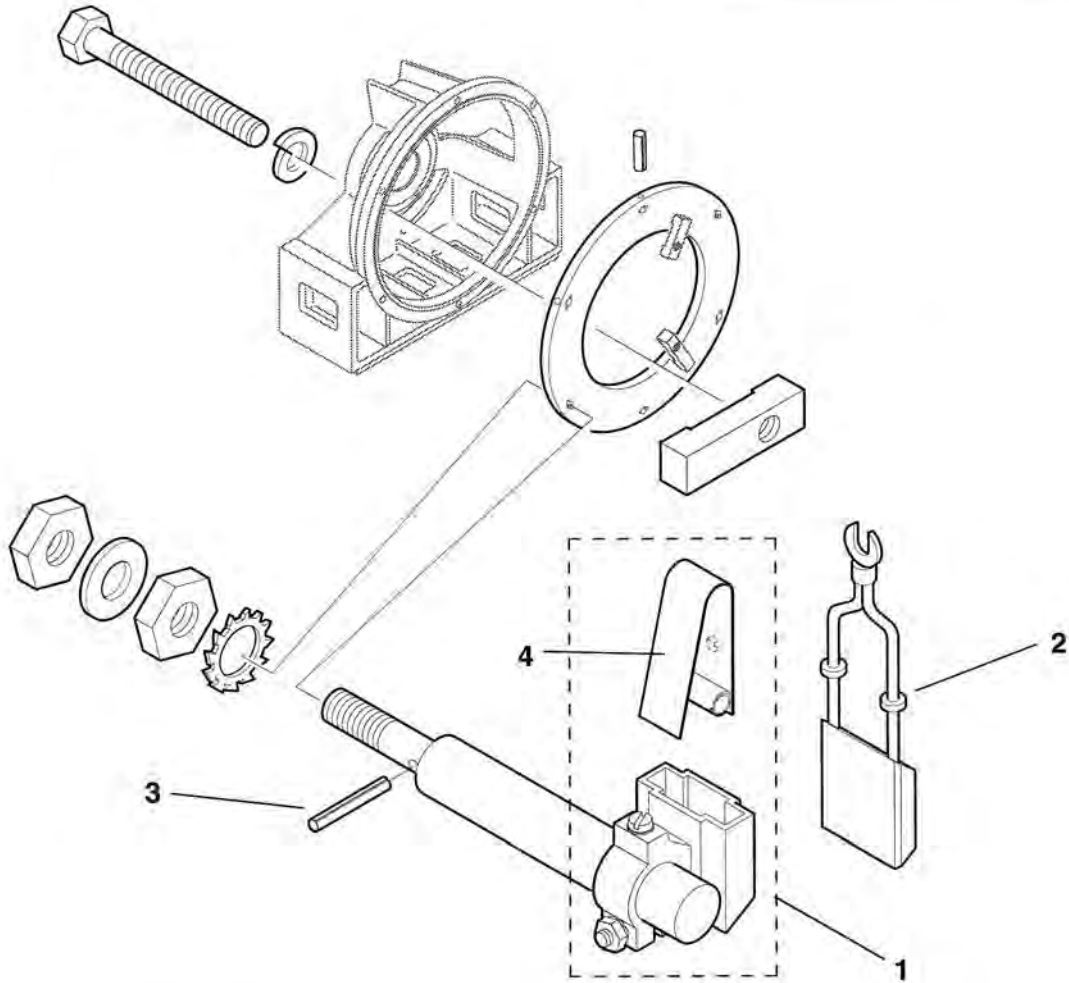
## Field Coil



Ref. No.	Part No.	Descriptions
1.	AAA221DS1*	Field coil
2.	AAA219AV1*	Interpole coil, set of 6

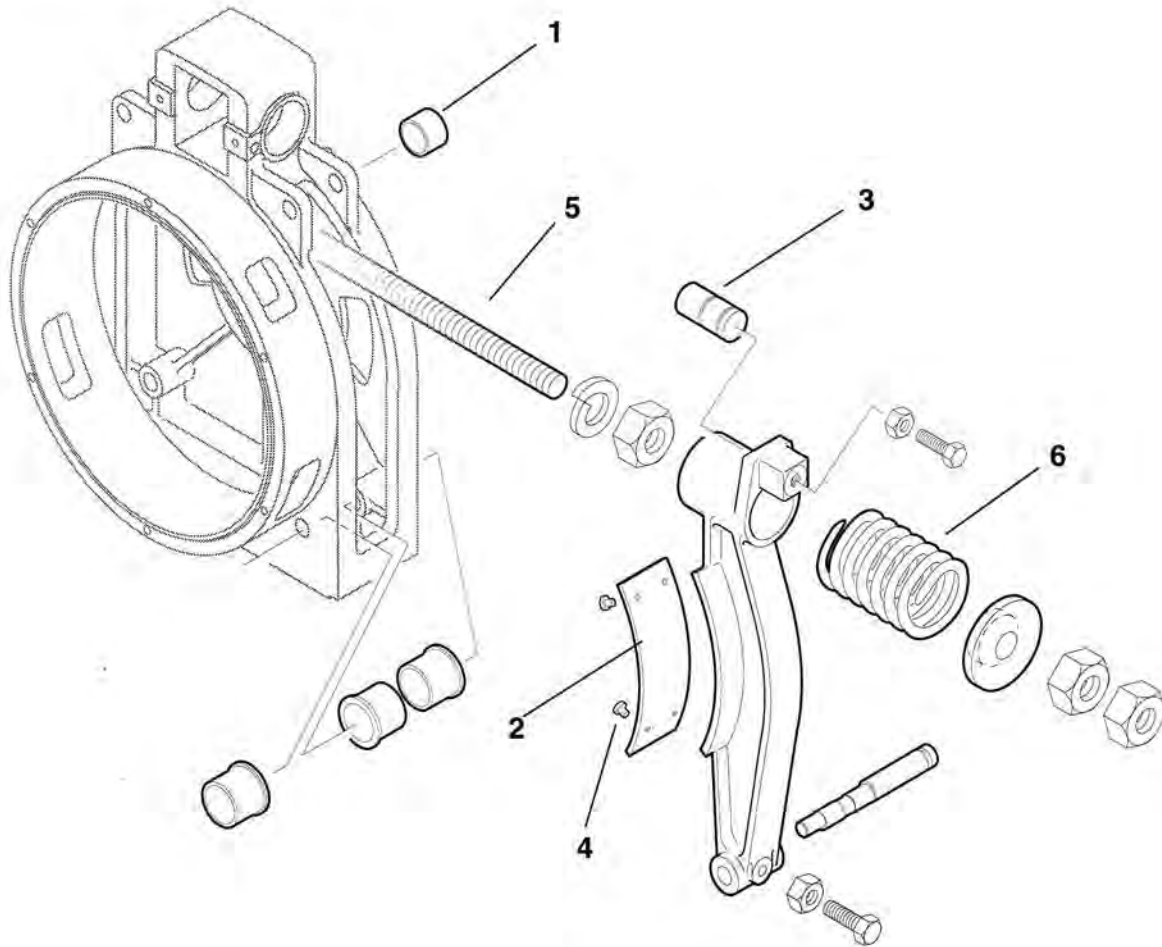
\*This item may require special order

### Brush Holder Parts



Ref. No.	Part No.	Descriptions
1.	6134J7	Brush holder
2.	240P8	Brush, carbon, w/o clip
	240P9	Brush, carbon, w/clip
3.	81AX2	Pin
4.	93FC2	Spring, constant force

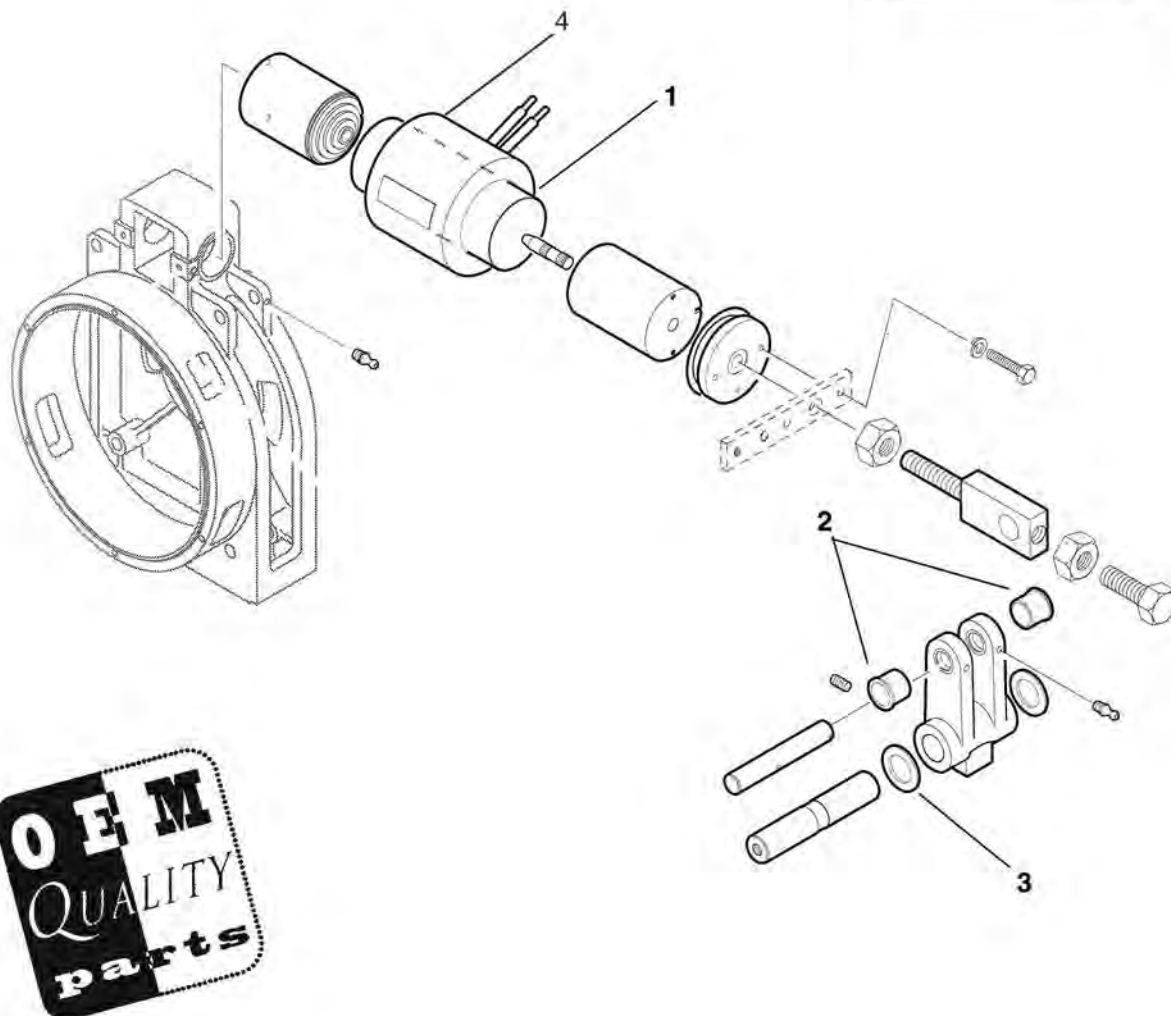
## Brake Lever Assembly Parts



Ref. No.	Part No.	Descriptions	
1.	209A7	Bearing, 1.5" O.D., 1.25" I.D.	
2.	<del>B416Y1</del>	<del>Brake lining, 11.25" x 4" x .25"</del>	No Longer Available Individually. Contact OSC
3.	81BN2	Pin	
4.	145C3	Rivet	
5.	AAA96AAA1	Rod, 850MM L	
6.	90JD4	Spring	



## Brake Coil



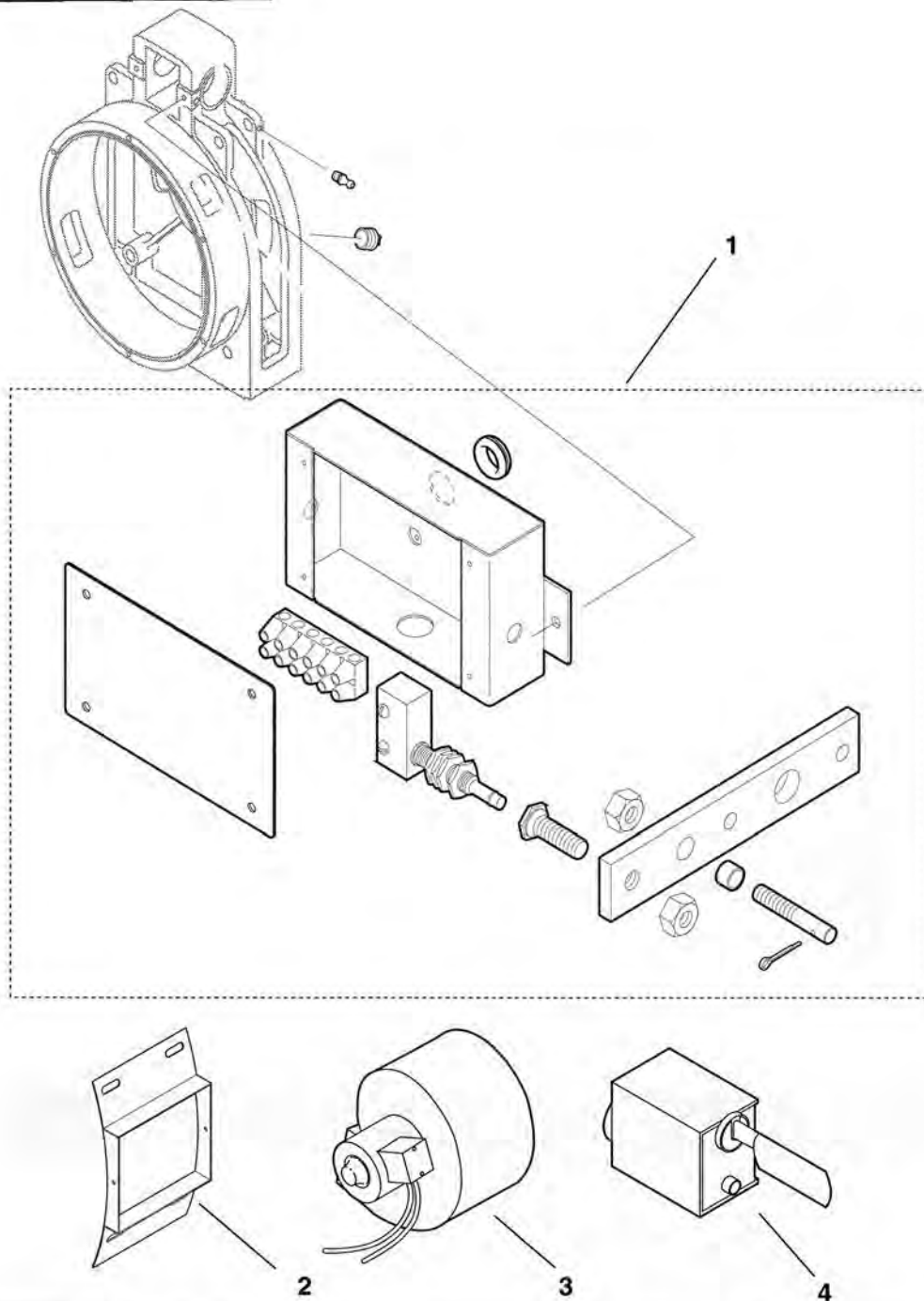
**Ref. No.**

**Part No.**

**Descriptions**

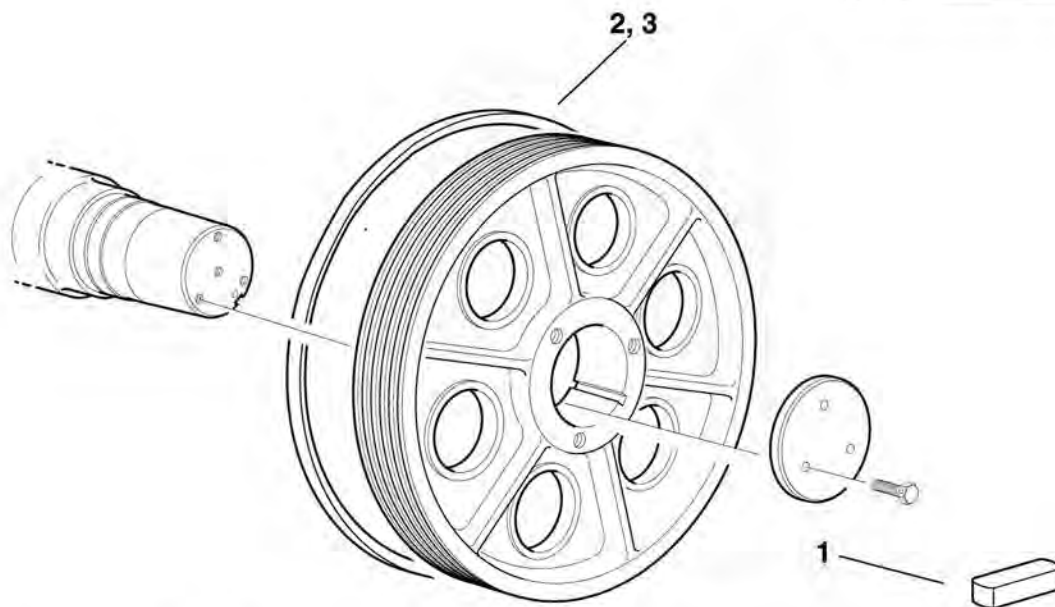
1.	136R10	Tube, magnet core
2.	209A6	Bearing, 1.12" O.D., .875" I.D.
3.	128AL2	Washer
4.	222JA15 AAA222FS2	Coil, Brake

## Brake Switch Parts



Ref. No.	Part No.	Descriptions
1.	7013J1	Brake switch assy
2.	270Z2	Adaptor
3.	6091BA2	Blower assy
4.	177CA3	Switch, air flow
5.	AAA635L1	Switch - early
	177AP1	Switch - later

**Drive Sheave**

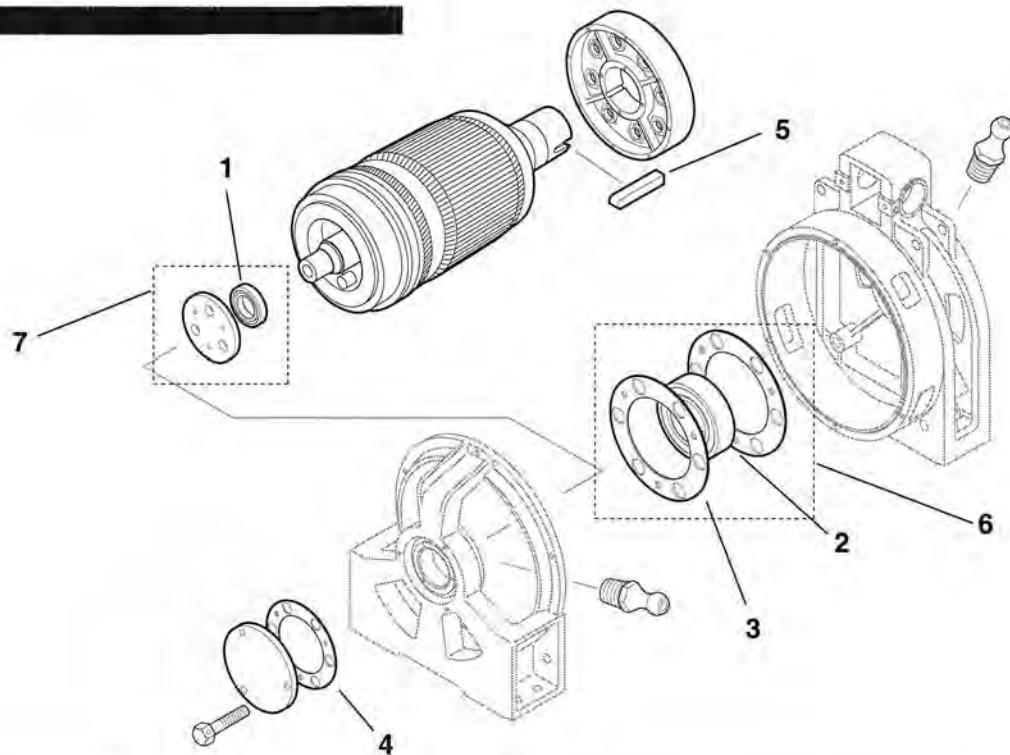


Ref. No.	Part No.	Descriptions
1.	192D37	Key, 3/4" x 4-1/4"
2.	AAA251BT3	Insert, grooved, polyurethane for 22" sheave, 1/2 ropes
3.	AAA251BT8	Insert, grooved, polyurethane for 27" sheave, 1/2 ropes

## 139HT (Yonkers)

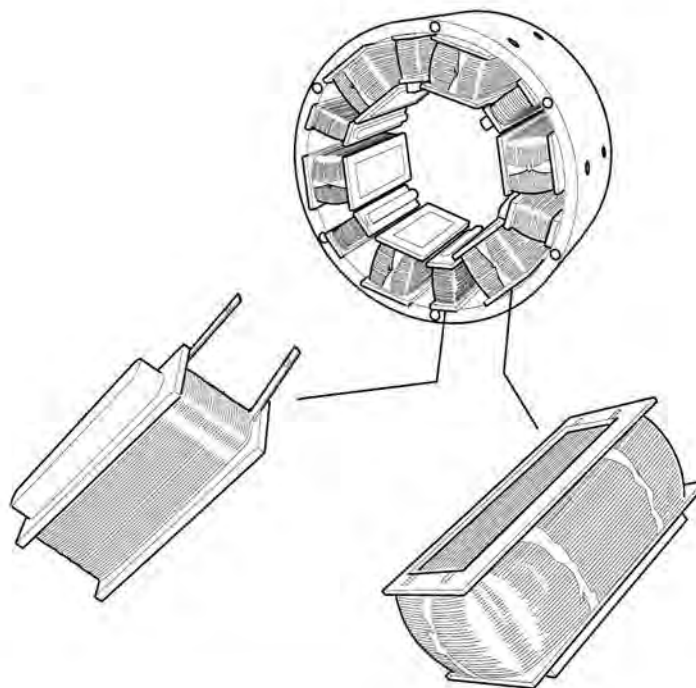


### Armature Spare Parts



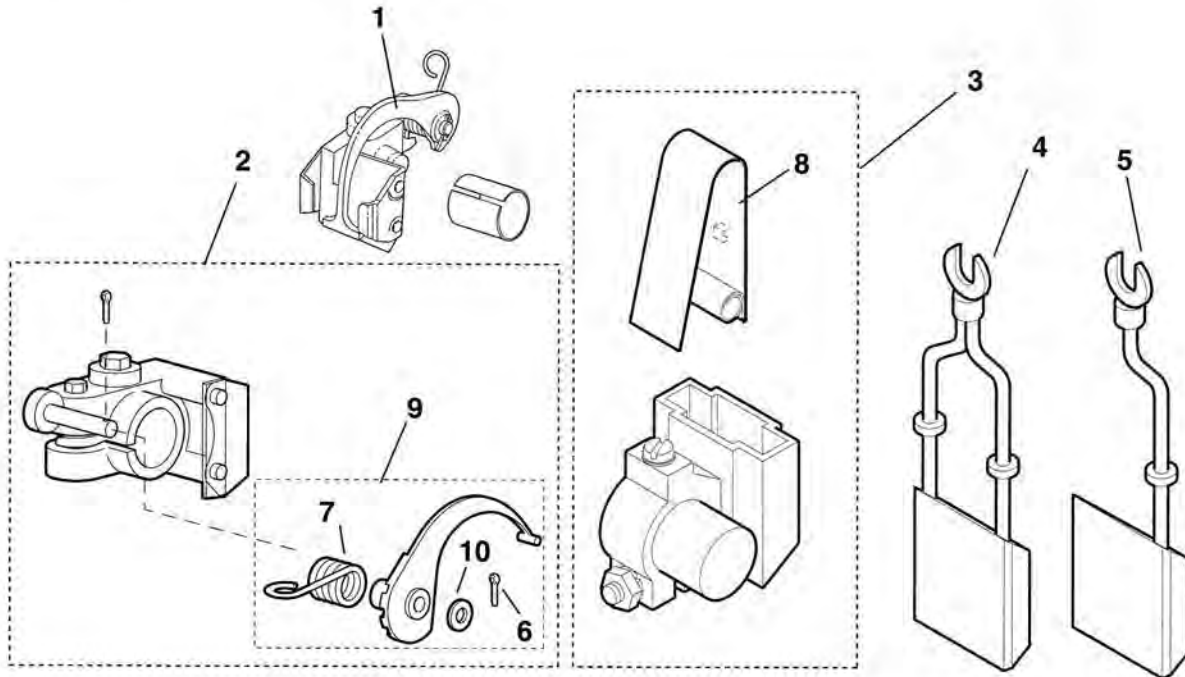
Ref. No.	Part No.	Descriptions
1.	207Z73	Bearing, ball
2.	209G14	Bearing, roller
3.	376T16	Gasket
4.	A376CB2	Gasket
5.	192G107	Key, .75" x .75" x 3.0"
6.	LO5000E431	Kit, bearing + gaskets
7.	LO5000E432	Kit, bearing + gaskets

**Field Coil**



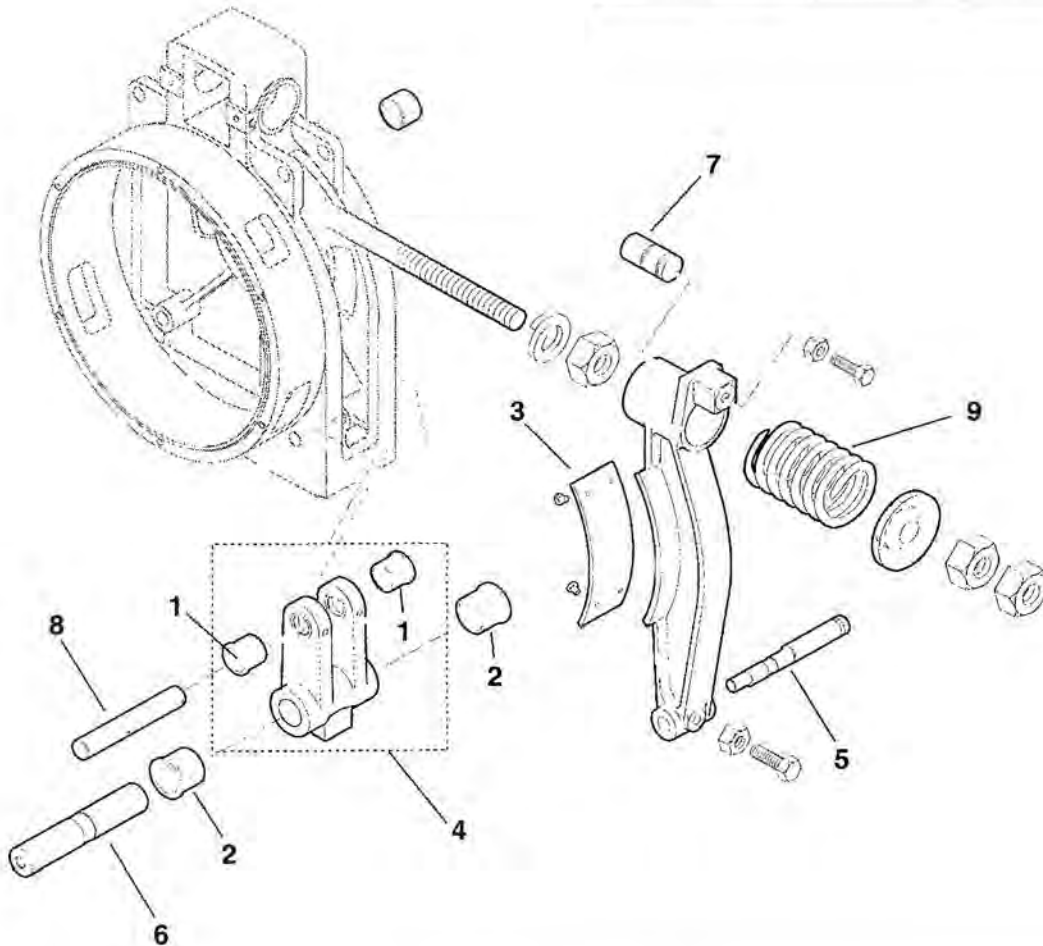
Ref. No.	Part No.	Descriptions
1.	LO5000E703	Field coil
2.	AAA219AV1	Interpole coil, set of 6

## Brush Holder Parts



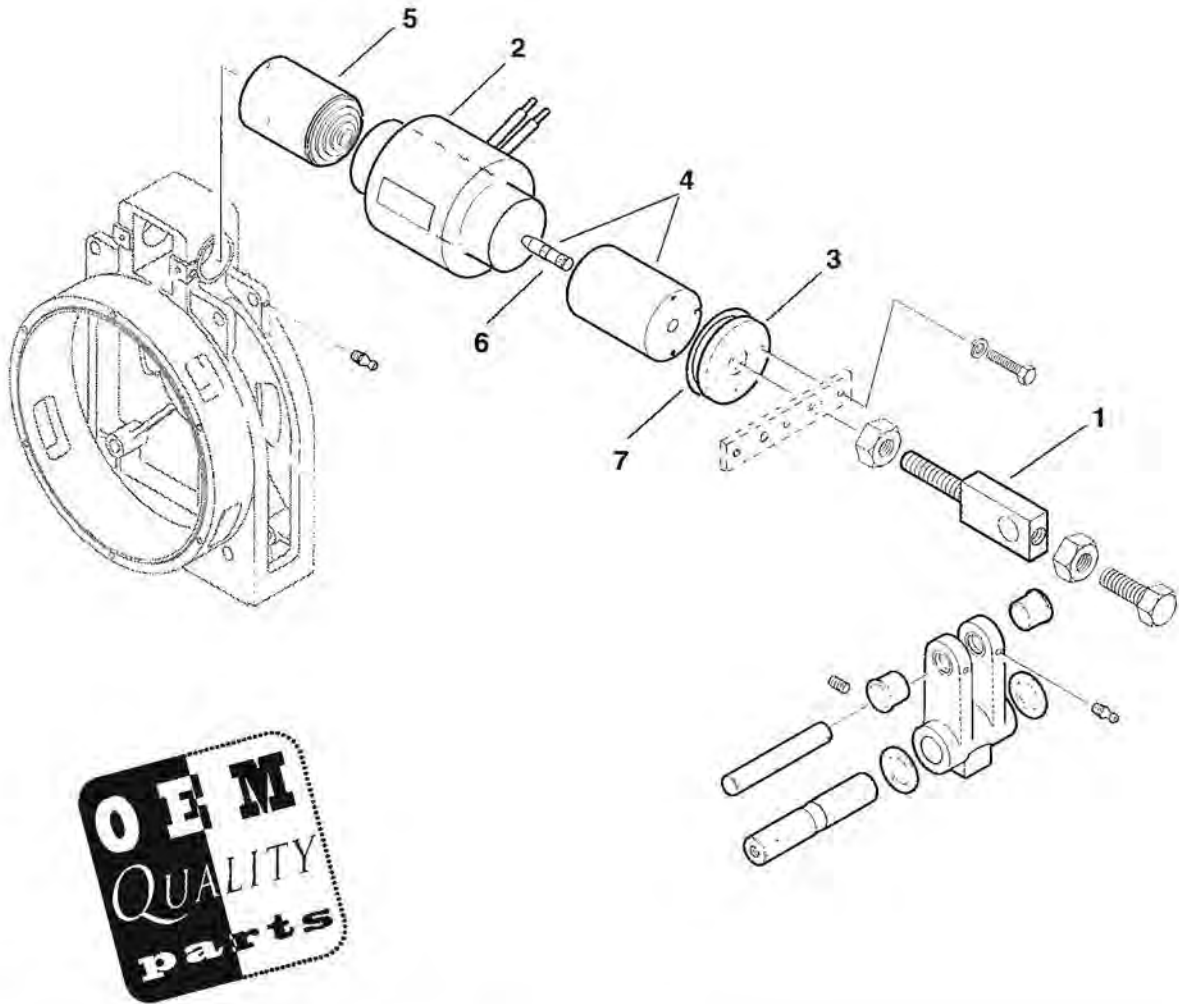
Ref. No.	Part No.	Descriptions
1.	288CD4	Arm
2.	6134B5	Brush holder assembly .875" I.D.
3.	6134J4	Brush holder assembly .876" I.D.
4.	AAA240AR205	Brush, shunt-double
5.	AAA240AR206	Brush, shunt-single
6.	PINCOT 1/16 x 1/2	Cotter pin, 1/16" x 1/2"
7.	92A4	Spring
8.	93FC2	Spring
9.	LO5000E705	Arm + spring + washer + cotter pin
10.	128AF12	Washer

## Brake Assembly Spare Parts



Ref. No.	Part No.	Descriptions
1.	209A6	Bearing, 1.250" O.D.
2.	209A7	Bearing, 1.500" O.D.
3.	<del>AAA416AZ4</del>	<del>Brake lining, 4" x 11.25"</del> No Longer Available
	335H43	Bushing (not shown) Individually. Contact OSC
4.	B288HX2	Lever assembly
5.	77TL2	Pin
6.	77LG3	Pin
7.	81BN2	Pin
8.	82R4	Pin
	145C3	Rivet 3/16", .875" (not shown)
9.	90JD11	Spring

## Brake Assembly Spare Parts



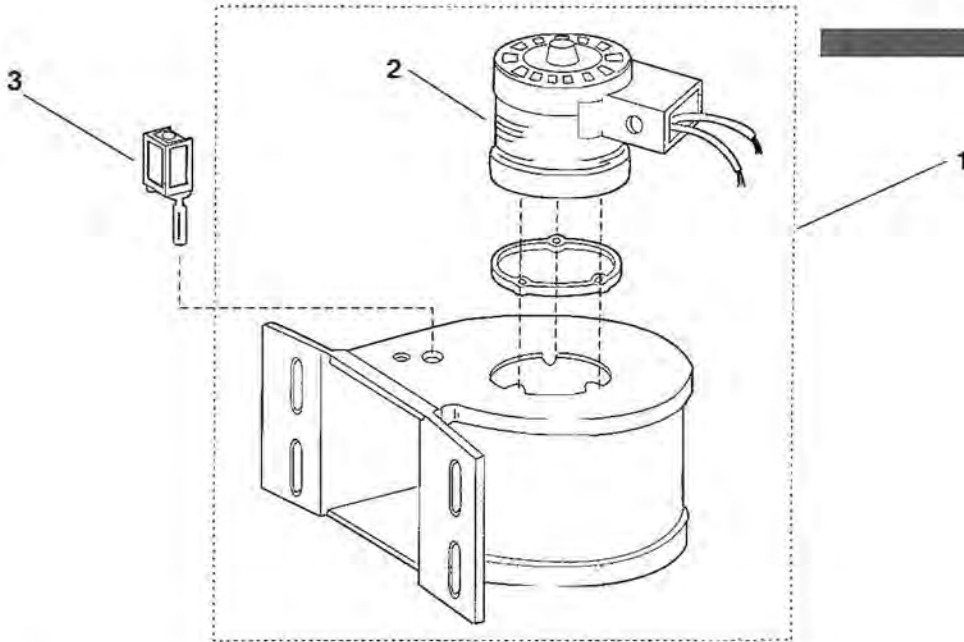
Ref. No.	Part No.	Descriptions
1.	65GA3	Bolt
2.	222JA15	Coil
3.	346AMA1*	Cover
4.	400DB4	Magnet, core, w/pin
5.	400DD4	Magnet, core
6.	77RG2	Pin
7.	128AG53	Shim
	177AP1	Switch (not shown)
	136R10	Tube (not shown)

\* This item may need special order



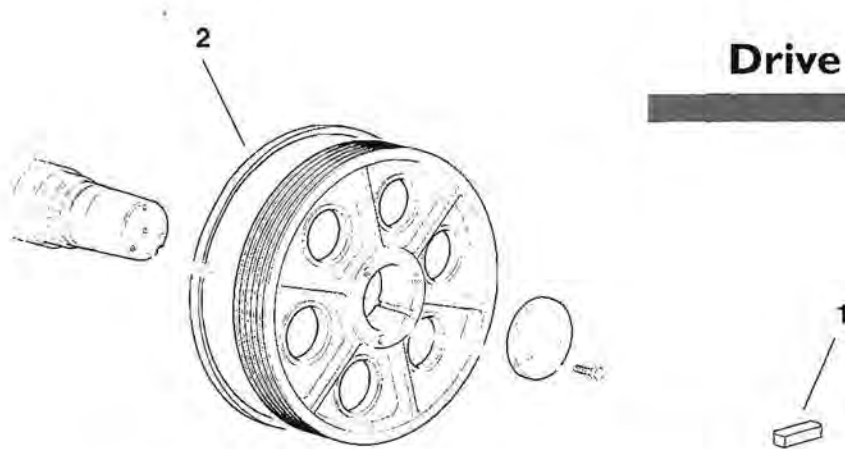
Machines: 139HT (Yonkers)

## Blower Assembly- Spare Parts



Ref. No.	Part No.	Descriptions
1.	6091BA2	Blower Assembly
2.	6333DH1	Motor
3.	177CA3	Switch, air flow

## Drive Sheave

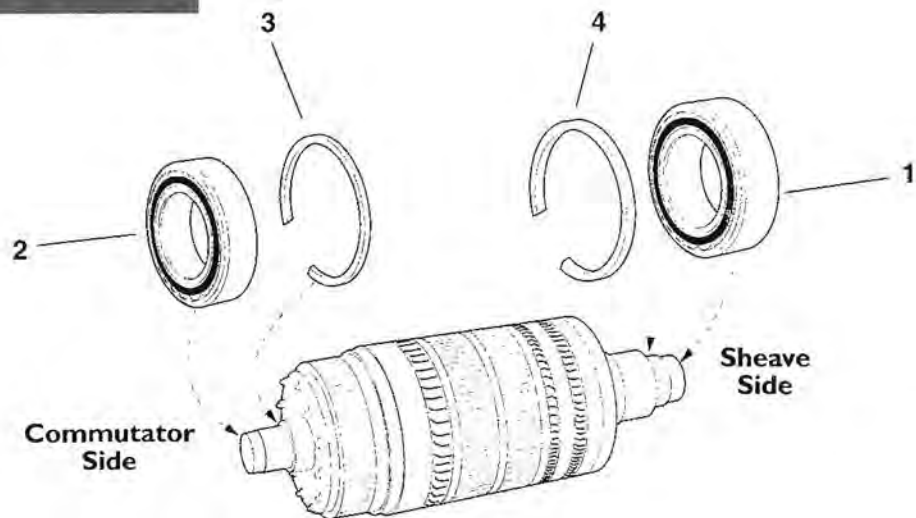


Ref. No.	Part No.	Descriptions
1.	192D37	Key
2.	AAA251BT5	Insert, grooved, polyurethane for 24" sheave, 1/2 ropes

**155HT**

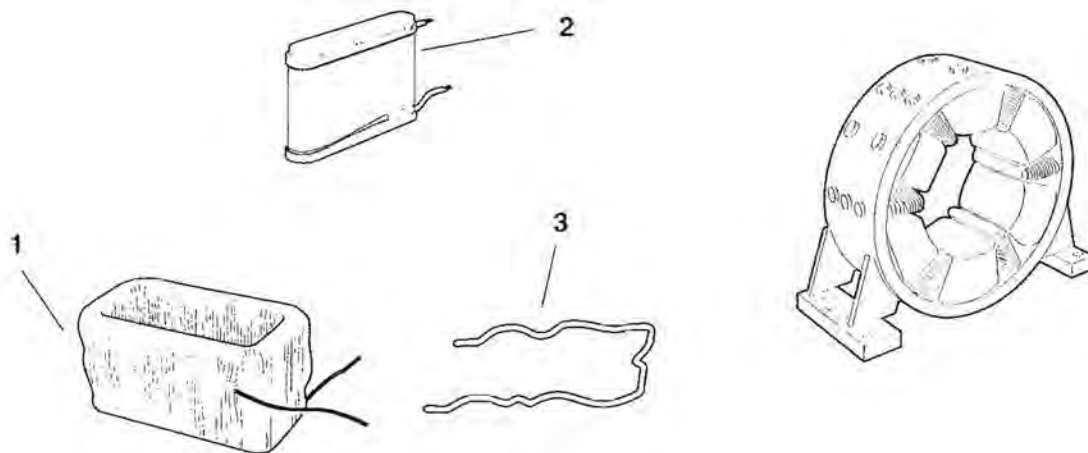


**Armature Spare Parts**



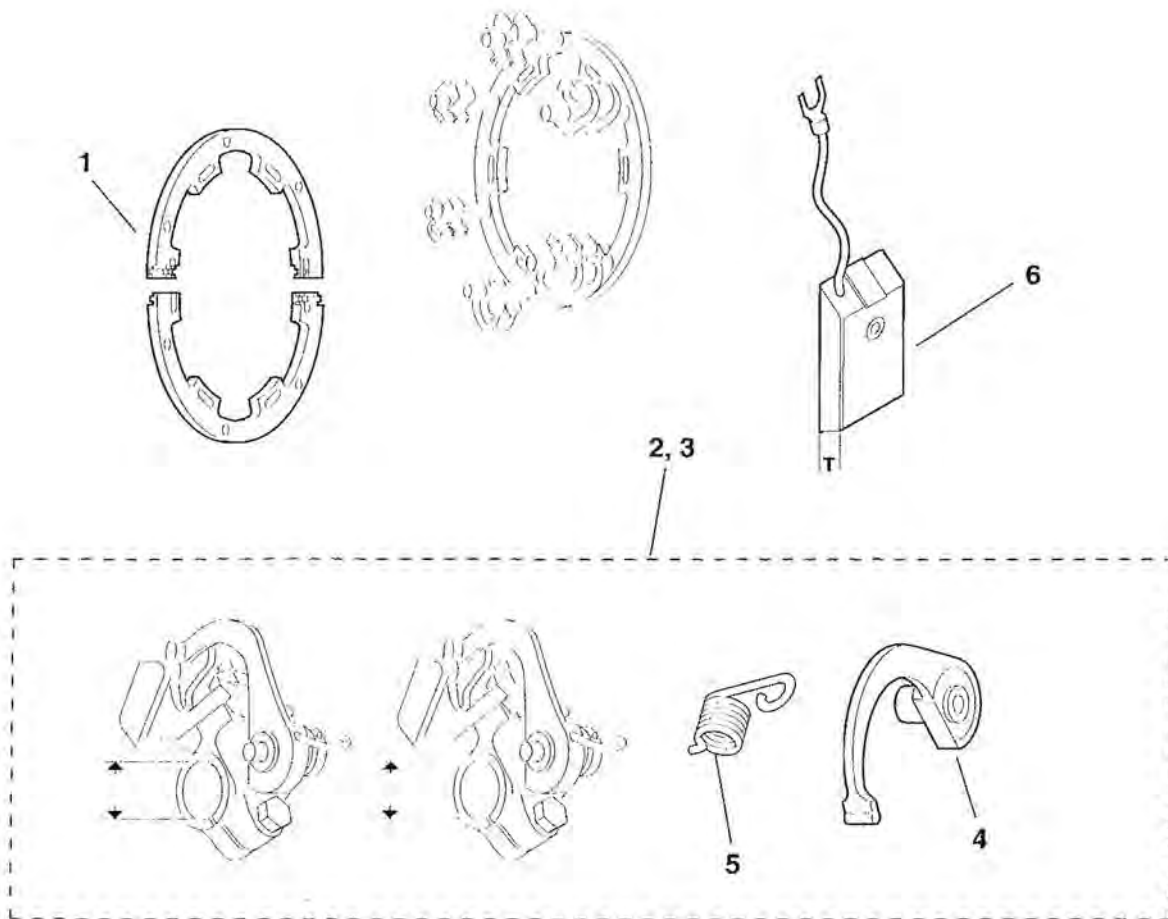
Ref. No.	Part No.	Descriptions
1.	209G8	Bearing, roller, 8.46" O.D., 4.72" I.D.
2.	209G9	Bearing, roller, 6.69" O.D., 3.74" I.D.
3.	488B15	Wick, 14.4" for 209G9
4.	488B23	Wick, 17.6" for 209G8

**Field Coils**



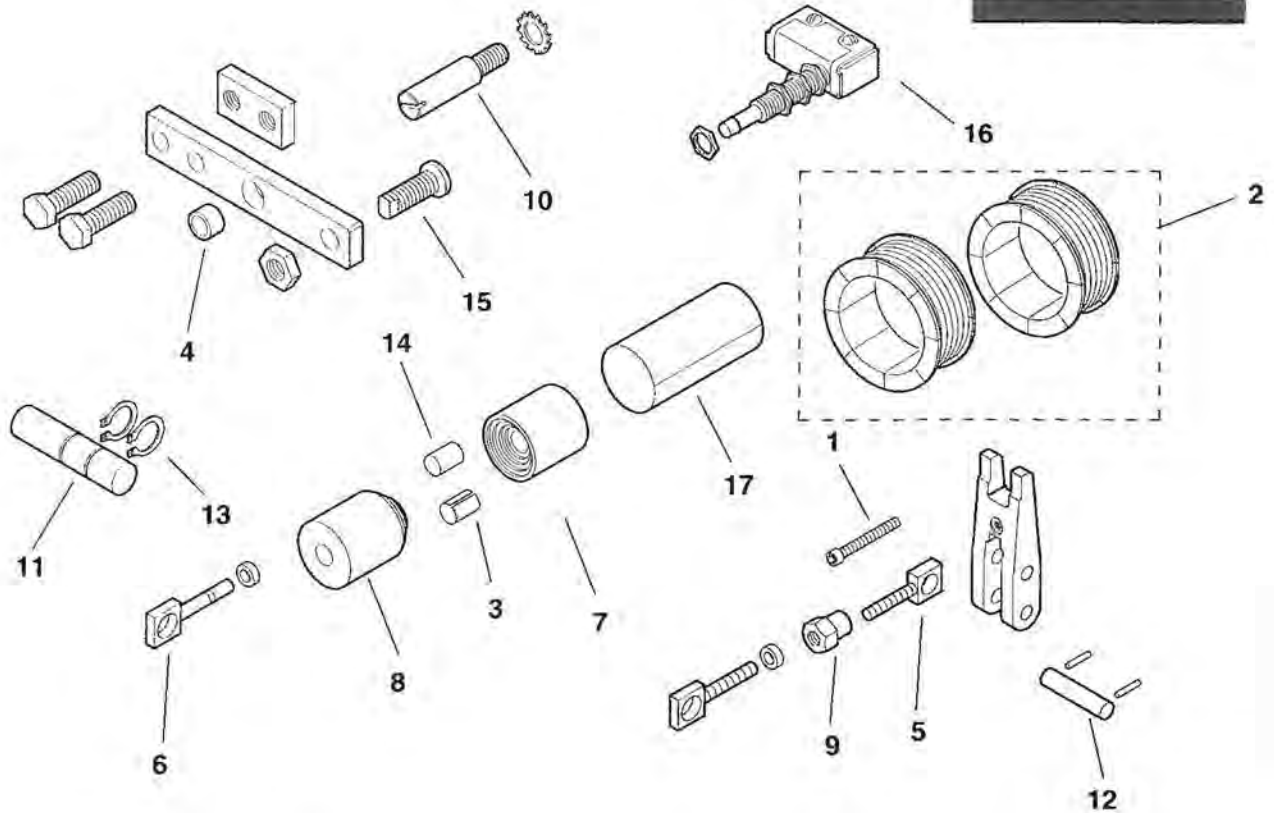
Ref. No.	Part No.	Descriptions
1.	221DA2	Field coil (set of 6)
2.	A219AH2	Interpole coil (set of 3)
3.	94AD3	Spring, interpole coil

## Brush Ring Spare Parts



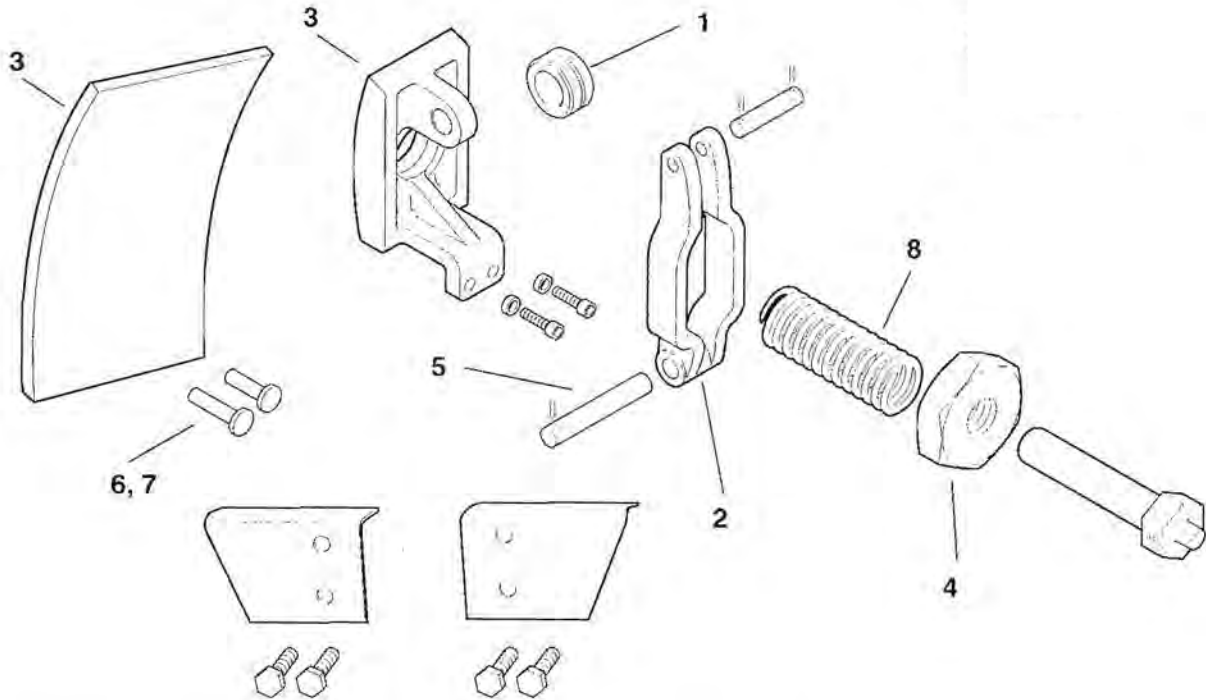
Ref. No.	Part No.	Descriptions
1.	172MK1	Brush ring half
2.	6134H1	Brush holder assembly, .878" I.D.
3.	6134H2	Brush holder assembly, .903" I.D.
4.	288CD4	Spring arm
5.	92A4	Spring
6.	AAA240AR201	Brush, T= .360", 1 lead

**Brake Parts**



Ref. No.	Part No.	Descriptions
1.	65DS2	Bolt
2.	222FH2	Brake coil - individual (order 2 per machine)
3.	335AB5	Bushing, 19/32" O.D.
4.	335E86	Bushing, sleeve
5.	56AL4	Eyebolt with bearing, 3.25"L
6.	56AL6	Eyebolt with bearing, 4"L
7.	400FE2	Magnet core, female w/bushing 335AB5
8.	400FF2	Magnet core, male w/pin 81BM2
9.	72CN2	Nut
10.	A77SN1	Pin, 1.875" L
11.	81CG1	Pin, 3.125" x .75" Dia.
12.	82A68	Pin, 3.375" x .75" Dia.
13.	172HV2	Ring, retaining, 1" O.D.
14.	AAA321GZ2	Shell
15.	477EA1	Stop
16.	177AP1	Switch
17.	136R10	Tube, magnet core

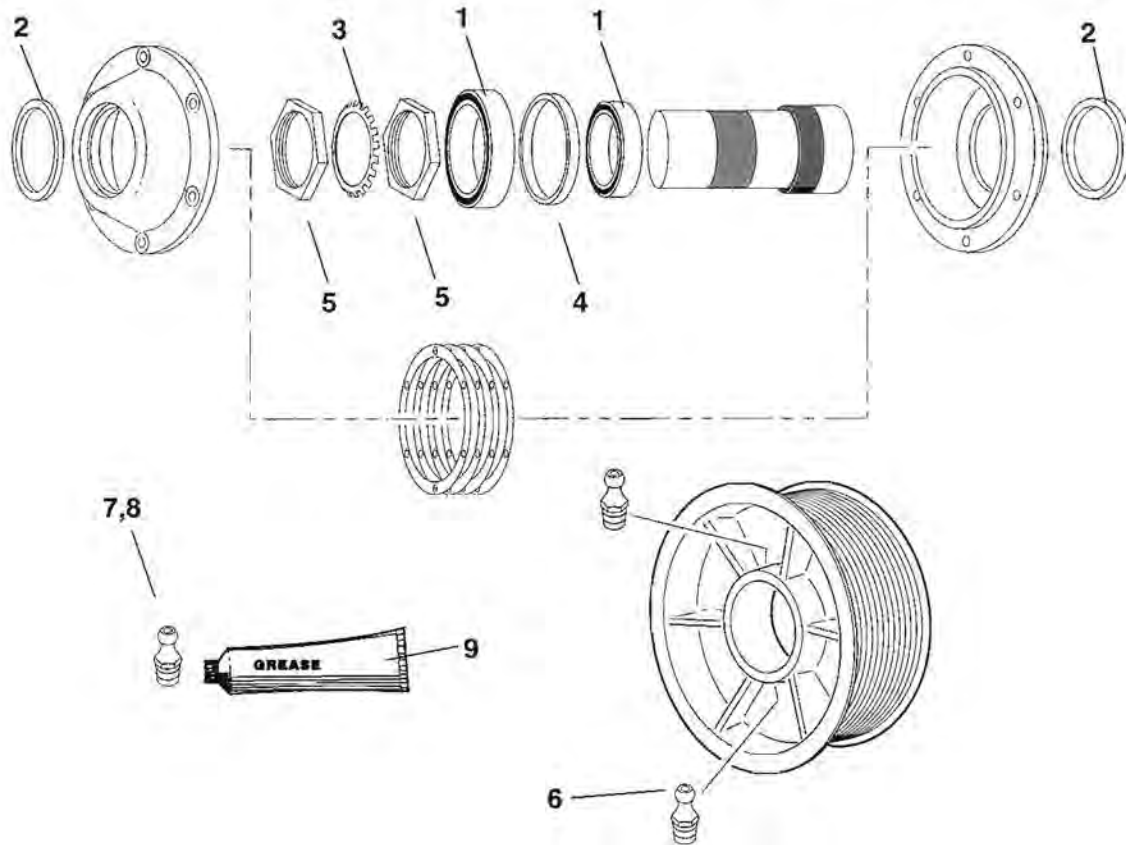
## Brake Parts



Ref. No.	Part No.	Descriptions
1.	212W3	Bearing, 1.43" O.D., .749" I.D.
2.	286AY2	Brake lever
3.	A416AM2	Brake lining
4.	72DS1	Nut
5.	81CD2	Pin, 5.375" L x .875" Dia.
6.	145C4	Rivet, 3/16" x 1" L
7.	145C6	Rivet, 3/16" x 1-1/4" L
8.	90JD4	Spring, 5.875" free length

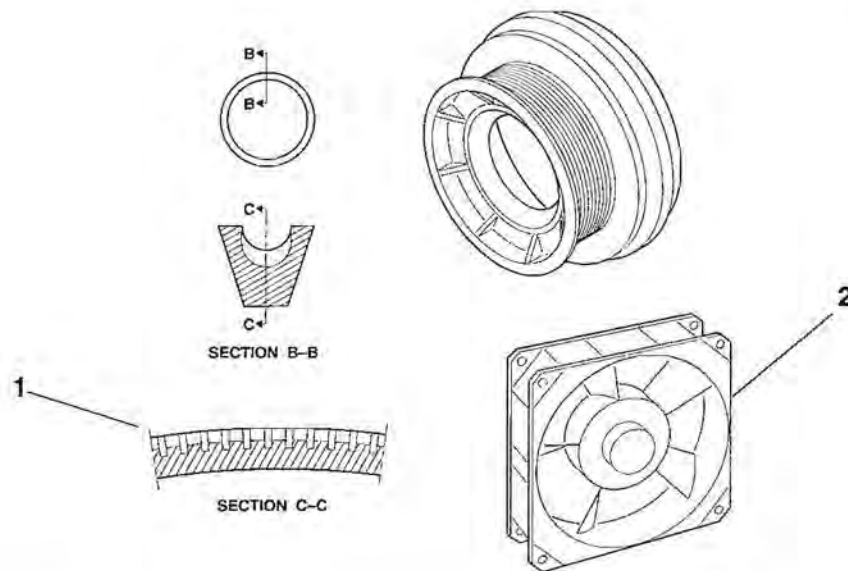
No Longer Available  
Individually. Contact OSC

## Secondary Sheave Spare Parts



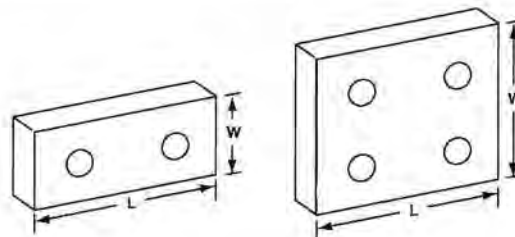
Ref. No.	Part No.	Descriptions
1.	209B27	Bearing, roller, 7.5" O.D., 4.5" I.D.
	209T2	Bearing, roller, 5.15" O.D., 3.15" I.D.
2.	33D21	Seal, oil, split, 5-1/8" O.D., 4-1/8" I.D.
	33D24	Seal, oil, split 4" O.D., 3-1/8" I.D.
3.	130AA5	Lockwasher, 6-1/2" O.D.
4.	172JT2	Ring, 7-1/2" O.D.
5.	72BV5	Locknut, 5-23/32" O.D.
6.	VP-836495	Pipe plug, 1/4"
7.	435C1	Fitting, grease, 1/8" pipe thread
8.	435C2	Fitting, grease, 1/4" pipe thread
9.	VP-420240	Grease, Otis No. 12, 14.5oz tube (case of 10)

## Drive Sheave Spare Parts



Ref. No.	Part No.	Descriptions
1.	AAA251BT5	Insert, grooved, polyurethane, for 24" sheave, 1/2" ropes
2.	AAA6091AQ1	Fan, 115v, 50/60hz

## Sound Isolation Equipment



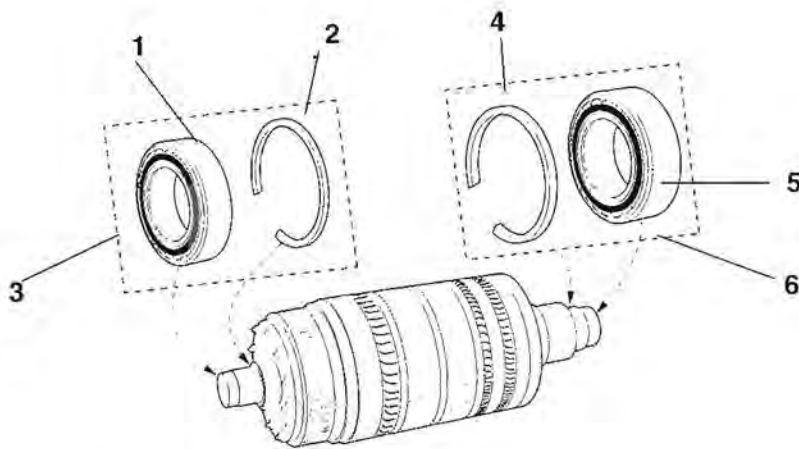
Part No.	Descriptions
310BE2	Isolation pad, 6" x 3" w/2 holes, rubber
310BE3	Isolation pad, 3" x 3" w/1 hole, rubber
310JJ2	Isolation pad, 3" x 3" w/1 hole, urethane
310JJ3	Isolation pad, 3.5" x 3" w/1 hole, urethane



## 219HT

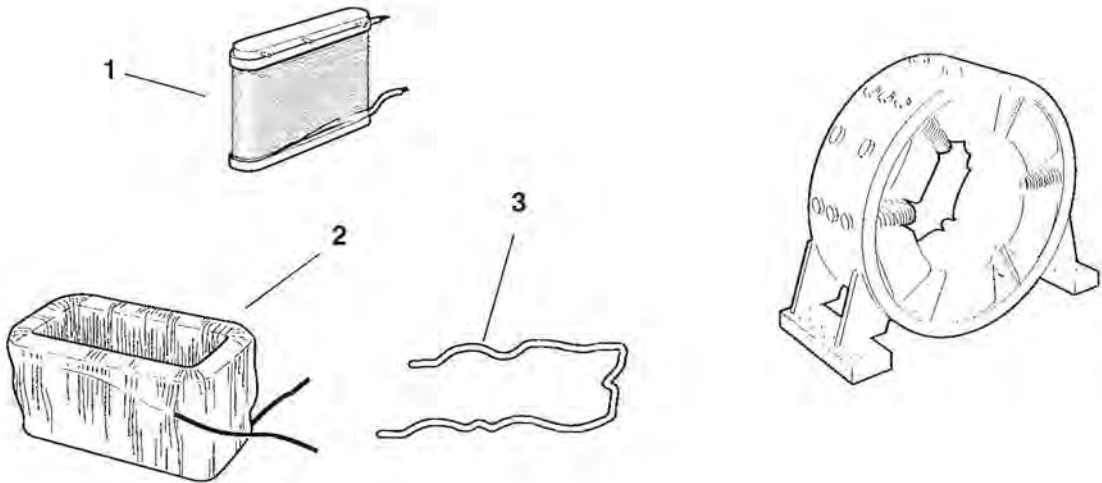


### Armature Spare Parts



Ref. No.	Part No.	Descriptions
1.	209G6	Bearing, 9.05" O.D., 5.12" I.D.
2.	488B6	Wick
3.	AAA20200Q100	Bearing kit
4.	488B7	Wick
5.	209G7	Bearing, 12.59" O.D., 7.08" I.D.
6.	AAA20200Q101	Bearing kit

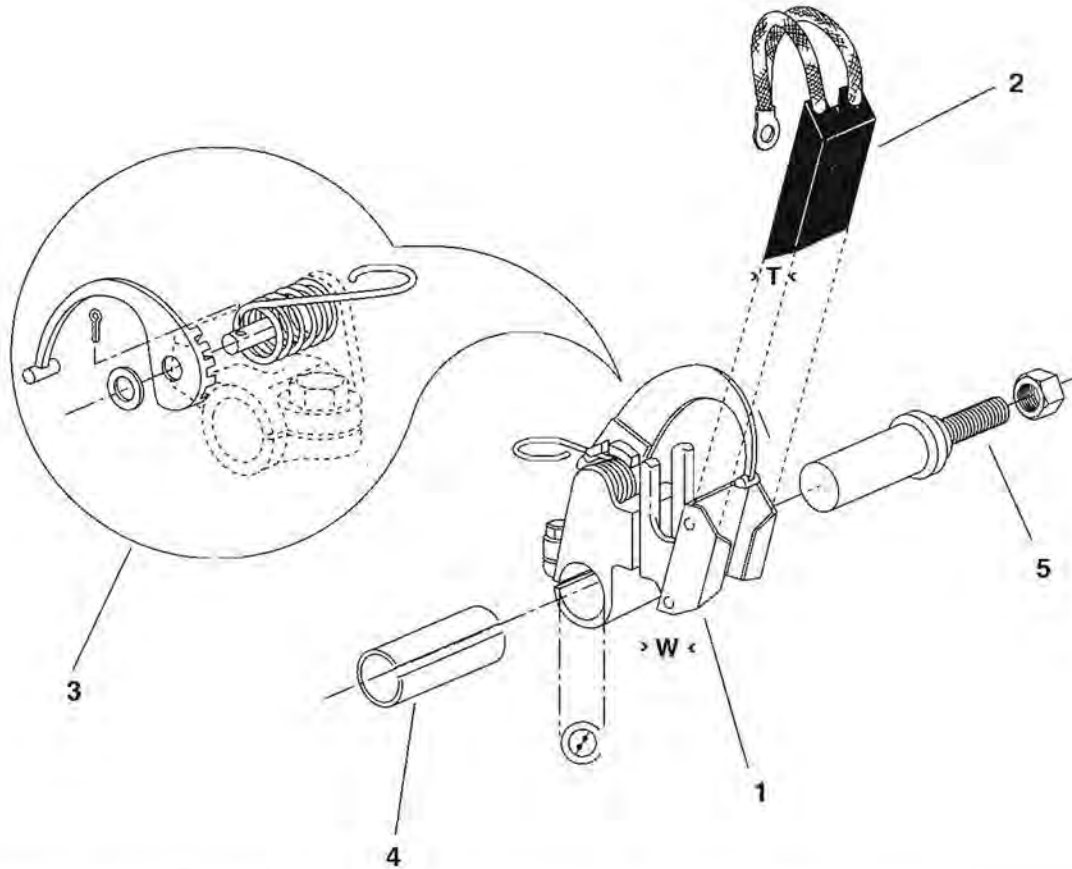
**Field Coils**



Ref. No.	Part No.	Descriptions
1.	219AE Type	Interpole coil, set of 4 - Special Order Only
	219AE Type	Interpole coil, set of 8 - Special Order Only
2.	221CA1	Coil, set of 8
3.	94AD1	Spring

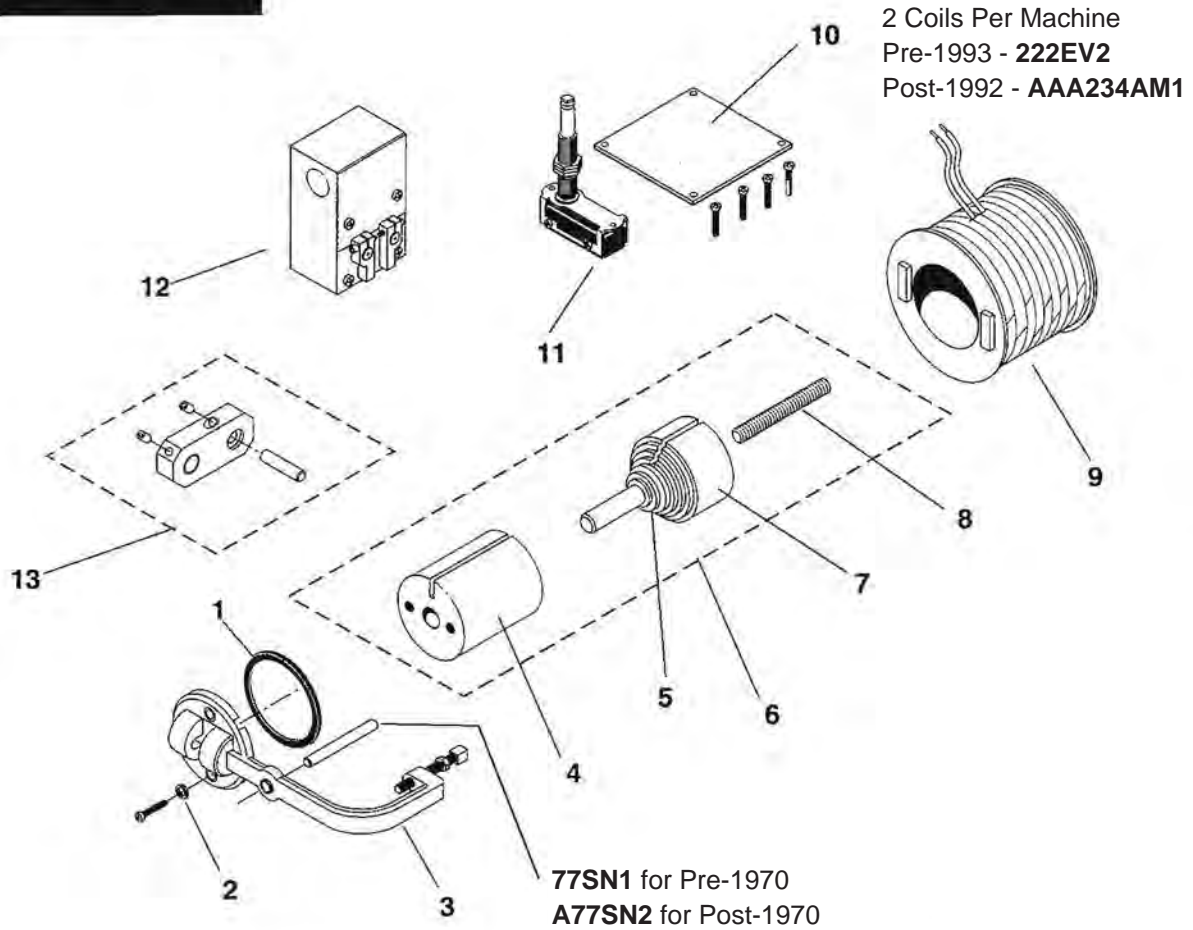
\*This item may require special order

## Brush Holder Parts



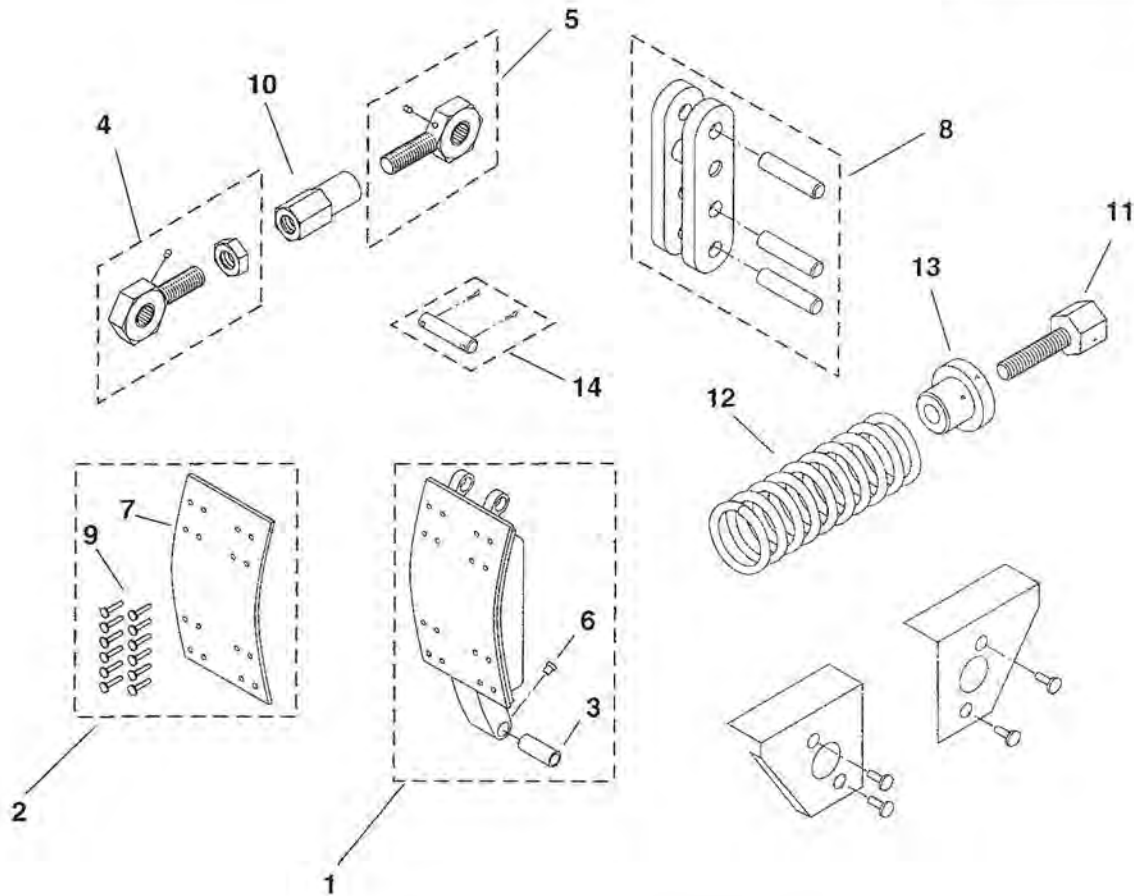
Ref. No.	Part No.	Descriptions
1.	6134H1	Brush holder assembly, w = .406", I.D. = .877"
	6134H2	Brush holder assembly, w = .406", I.D. = .902"
	6134H3	Brush holder assembly, w = .531", I.D. = .877"
2.	240T9	Brush, T= .360", one lead
	240T10	Brush, T= .485", two leads
3.	AAA20200P200	Brush holder kit (includes arm, spring, washer, cotter pin)
4.	298DF129	Insulator for 6134H2
5.	474H8	Brush stem

## Brake Parts



Ref. No.	Part No.	Descriptions
1.	376EE1	Gasket
2.	130F7	Washer
3.	287BS2	Arm
4.	B400EH2	Core, female bolt circle 2.625"
	A400EH2	Core, female bolt circle 3 3/8"
5.	128AG61	Washer, 1.5" O.D., 1" I.D., .016Th
6.	2700CAR6	Brake core kit w/B400EH2 core
7.	A400EG2	Core, male
8.	96BN1	Rod
9.		Magnet coil (See Illustration)
10.	285DD1	Cover
11.	177AP1	Switch
12.	6931A1	Brake switch
13.	2700CAR10	Hardware kit (link, pins, plugs)
	212T4	Rylon bushing for core (not shown)

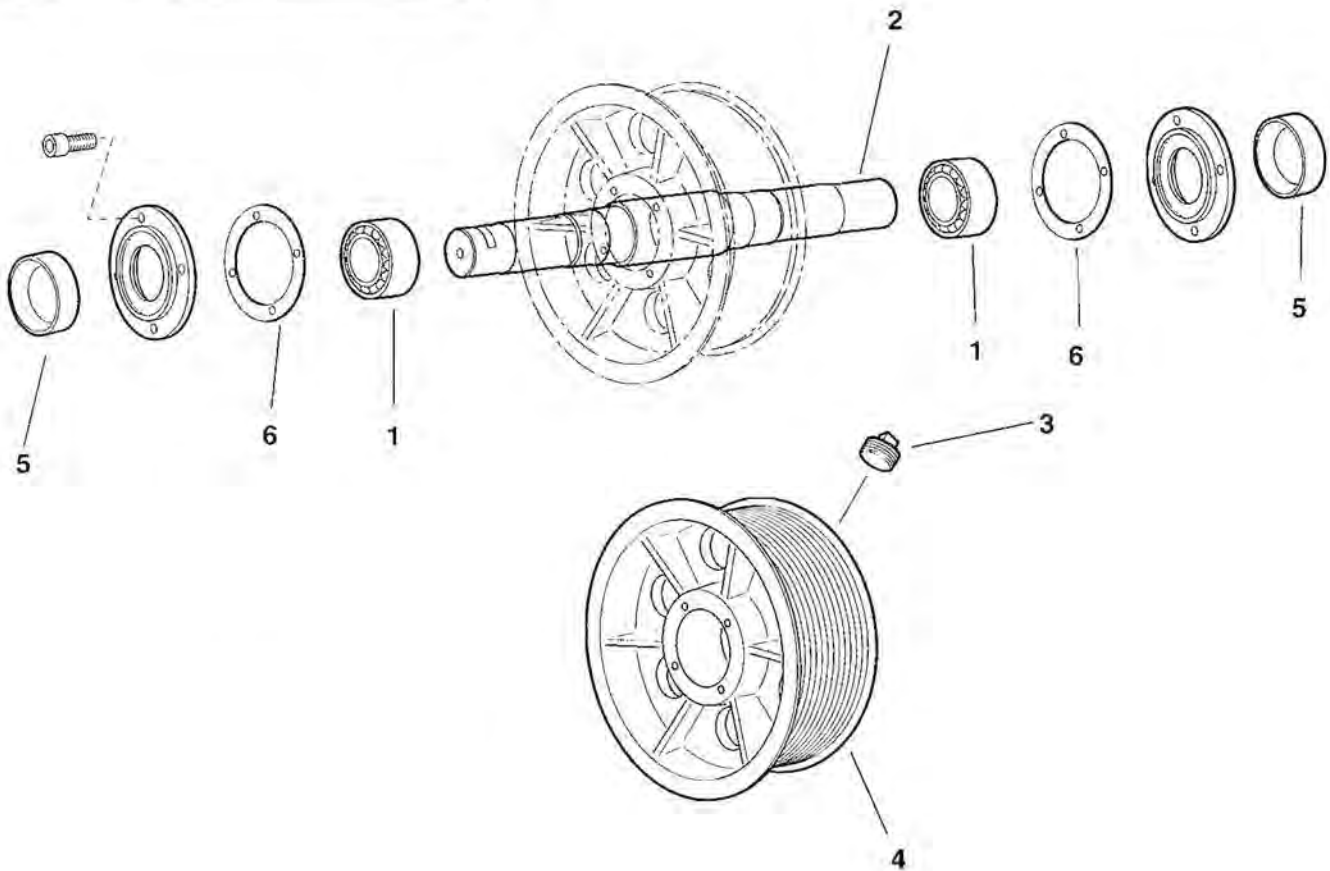
**Brake Parts**



Ref. No.	Part No.	Descriptions
----------	----------	--------------

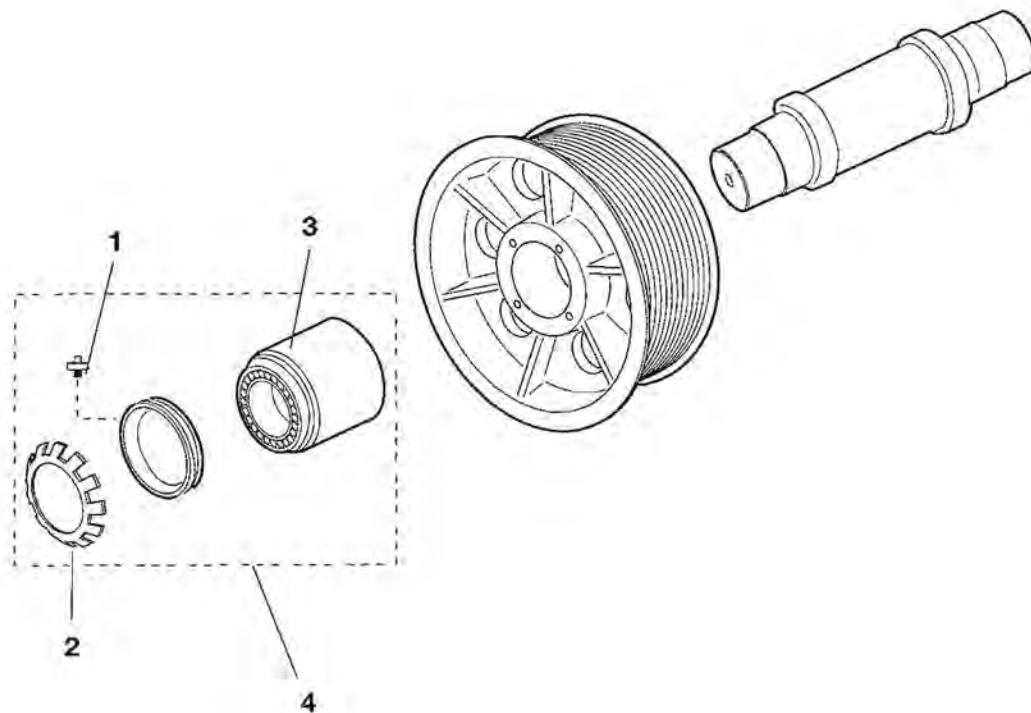
1.	<b>B415AB2</b>	Brake shoe assembly
<del>2.</del>	<del><b>2700CAR15</b></del>	<del>Brake lining &amp; rivets</del> No Longer Available Individually. Contact OSC
3.	<b>335E83</b>	Bushing
4.	<b>56AK4</b> <b>56AK2</b>	Eyebolt/locknut/pipe plug
5.	<b>2700CAR13</b>	Eyebolt/pipe plug
6.	<b>435AM1</b>	Fitting, lubricator
7.	<b>A416AM1</b>	Brake lining
9.	<b>145C4</b>	Rivet
10.	<b>72CN1</b>	Nut
11.	<b>95BY1</b>	Rod
12.	<b>90RD11</b>	Spring
13.	<b>133AW1</b>	Washer
14.	<b>AAA20200Q301</b>	Pins kit

## Deflector Sheave Spare Parts (SWT)



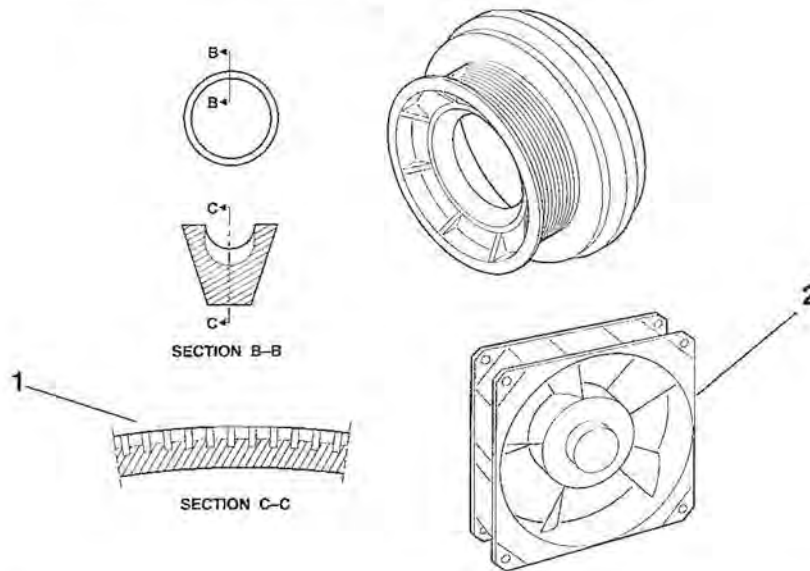
Ref. No.	Part No.	Descriptions
1.	209J5	Bearing, 6.69" O.D., 3.15" I.D.
2.	495CK5	Shaft
3.	377DF1	Pipe plug
4.	263BJ1	Sheave, 26" dia.
5.	33D24	Oil seal, split, 4.00" O.D., 3-1/8" I.D.
6.	376J56	Gasket, 9" O.D., 7" I.D., vellumoid

## Secondary Sheave Spare Parts (DWT)



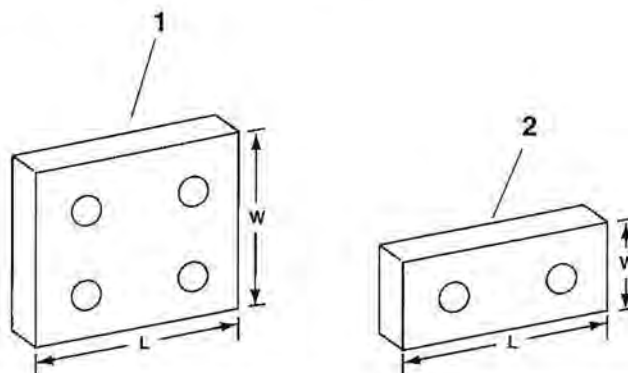
Ref. No.	Part No.	Descriptions
1.	435C1	Fitting, grease
2.	130AA21	Lockwasher
3.	209AE1	Bearing Assembly (includes seals)
4.	B7050J500	Bearing assembly w/ spacer, lubricator, lockwasher

## Drive Sheave Spare Parts



Ref. No.	Part No.	Descriptions
1.	AAA251BV12	Insert, grooved, polyurethane, for 34" sheave, 5/8" ropes
2.	AAA6091AQ1	Fan, 115v, 50/60hz

## Sound Isolation Equipment



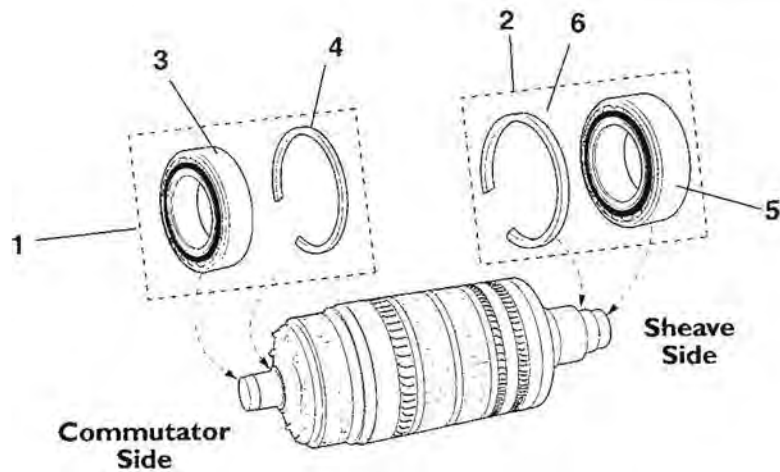
Ref. No.	Part No.	Descriptions
1.	310BE2	Sound isolation pad, 6" x 6", 4 holes, rubber
2.	310BE1	Sound isolation pad, 6" x 3", 2 holes, rubber



## 269HT

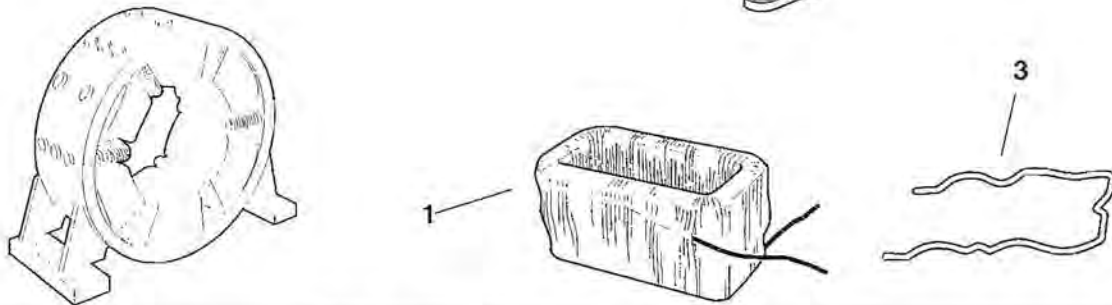


### Armature Spare Parts



Ref. No.	Part No.	Descriptions
1.	2700CBA1	Bearing kit
2.	2700CBA2	Bearing kit
3.	209G13	Bearing, 11.41" O.D., 6.29" I.D.
4.	488B21	Wick
5.	209G12	Bearing, 15.75" O.D., 7.48" I.D.
6.	488B22	Wick

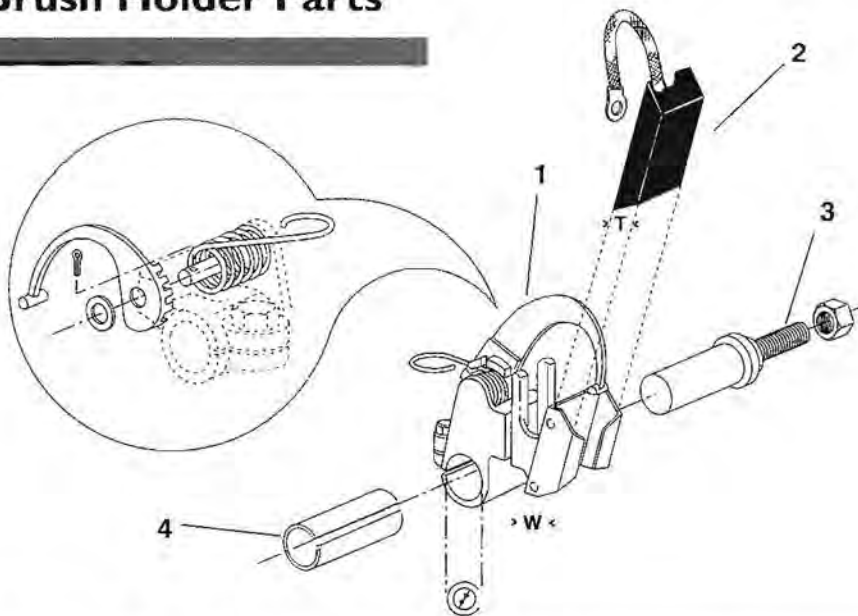
## Field Coils



Ref. No.	Part No.	Descriptions
1.	221BV1*	Field coils, set of 8
2.	219AN1*	Interpole coils, set of 8
3.	93DH1	Coil spring

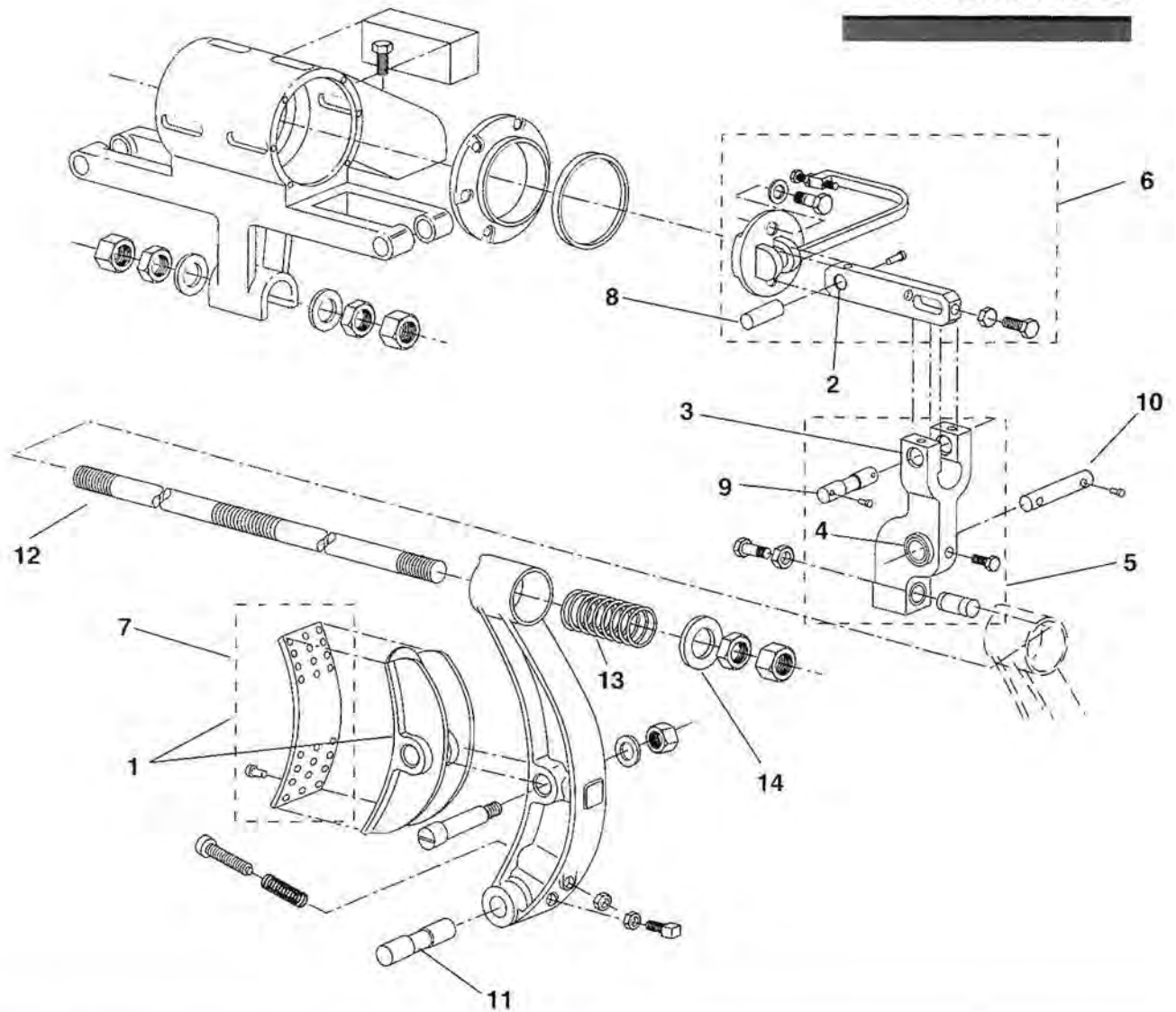
\* This item may require special order

## Brush Holder Parts



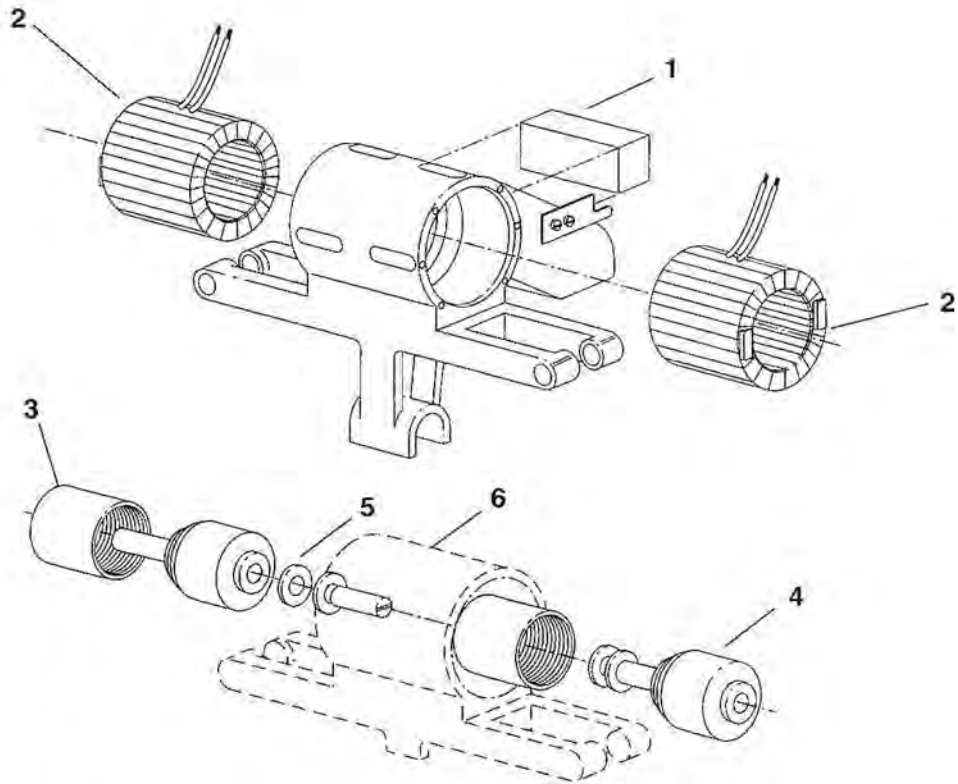
Ref. No.	Part No.	Descriptions
1.	6134H1	Brush holder assembly, .877" dia.
	6134H2	Brush holder assembly, .902" dia.
2.	AAA240AR201	Brush, 1 lead
3.	474H10	Brush stem
4.	298DF129	Insulator (for 6134h2 holder)

**Brake Parts**



Ref. No.	Part No.	Descriptions
1.	<b>B415W3</b>	Brake shoe assembly w/pre-bonded and riveted lining
2.	<b>212W3</b>	Bearing, 1.43" O.D., .749" I.D.
3.	<b>209A13</b>	Bearing, 1.5" O.D., 1.0" I.D.
4.	<b>209A14</b>	Bearing, 1.8" O.D., 1.2" I.D.
5.	<b>2700CBA3</b>	Kit: lever, pin, washer, cotter pin & pipe plug
6.	<b>2700CBA4</b>	Kit: lever, link, pin, pipe plug & hardware
7.	<b>2700CBA5</b>	Kit: Brake lining & rivets — Order shoe assy above
8.	<b>82A74</b>	Pin
9.	<b>82AH5</b>	Pin
10.	<b>82A75</b>	Pin
11.	<b>77GB7</b>	Pin
12.	<b>A95DB1</b>	Rod, 1-1/2" dia.
13.	<b>90TD6</b>	Spring
14.	<b>A133BJ1</b>	Spring, seat, 1-5/8" dia., cored hole

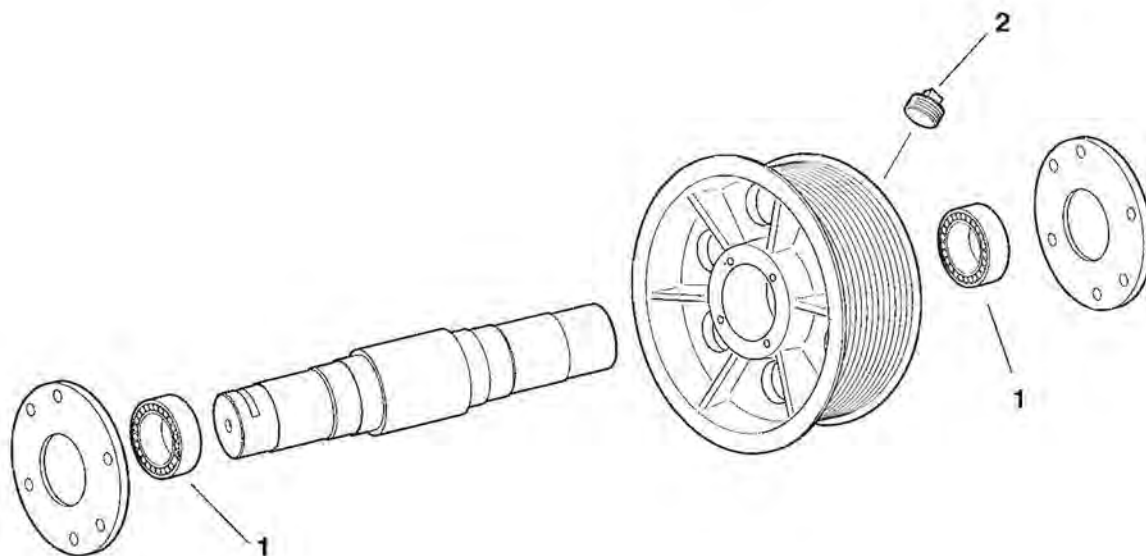
## Brake Parts



Ref. No.	Part No.	Descriptions
1.	6931A1	Brake switch
2.	222FK1	Coil
3.	400FS2*	Brake core, female
4.	400FT2*	Brake core, male
5.	128AG68	Washer
6.	96CE1*	Stud
	212T6	Magnet core bushing (not shown)

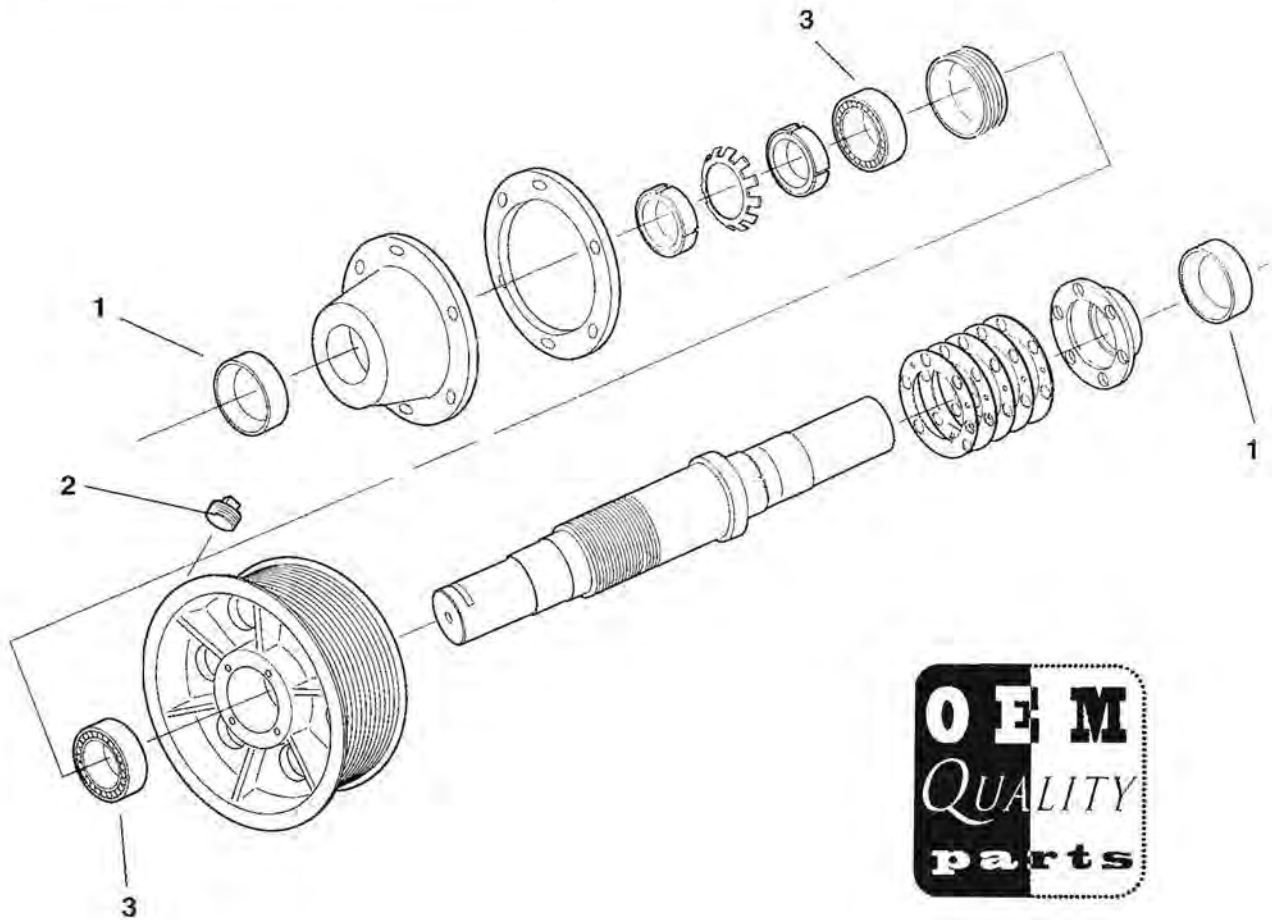
\* This item may require special order

## Secondary Sheave Spare Parts (SWT)



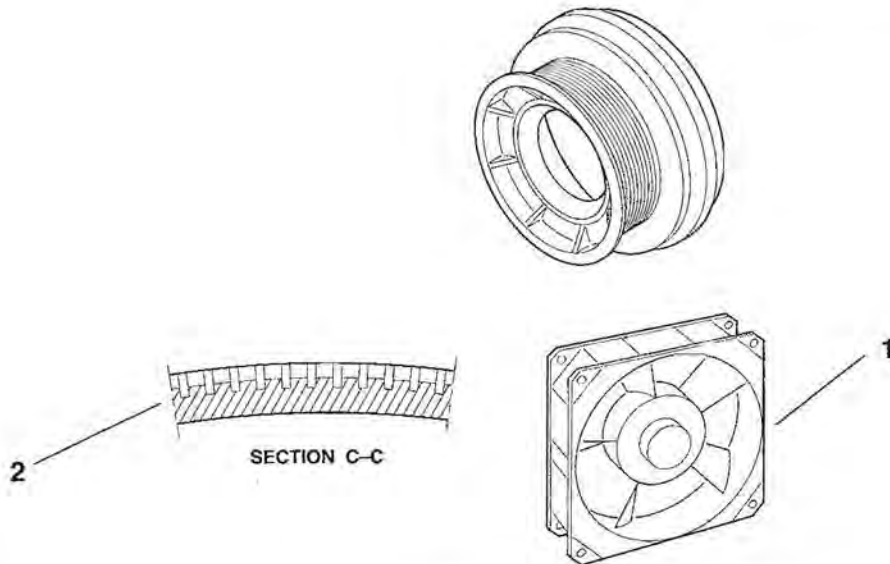
Ref. No.	Part No.	Descriptions
1.	209J7	Bearing, 8.46" O.D., 3.94" I.D.
2.	377DF1	Pipe plug, 1/4-18NPT

## Secondary Sheave Spare Parts (DWT)



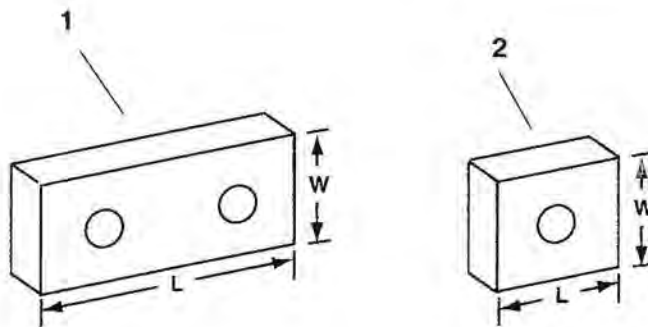
Ref. No.	Part No.	Descriptions
1.	33D31	Seal, 7.875" O.D., 6.875" I.D., split
2.	377DF3	Pipe plug, 1/2-14NPT
3.	209B25	Bearing 12.625" O.D., 7.375" I.D.

## Drive Sheave Spare Parts



Ref. No.	Part No.	Descriptions
1.	AAA6091AQ1	Fan, 115V, 50/60 Hz
2.	AAA251CD7	Insert for 40" sheave, 11/16" ropes

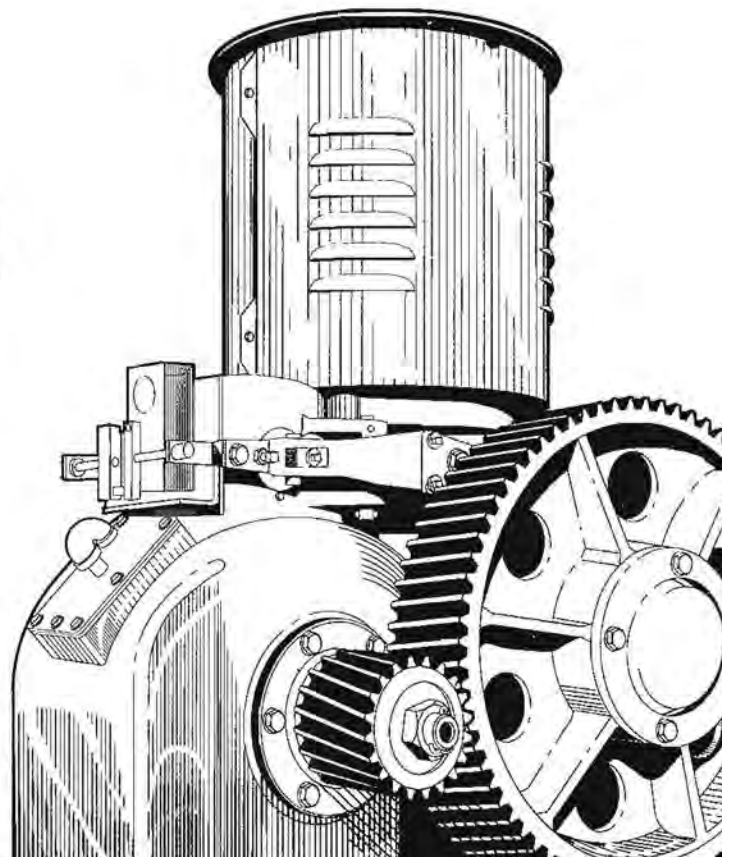
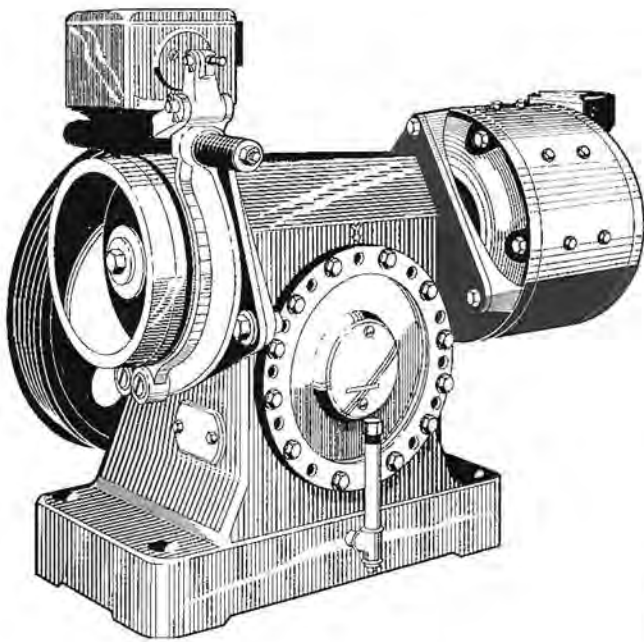
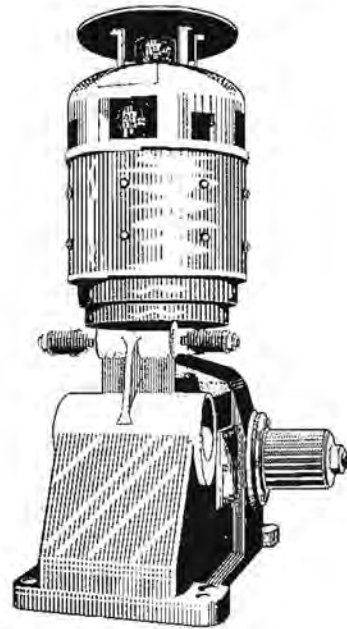
## Sound Isolation Equipment



Ref. No.	Part No.	Descriptions
1.	310JJ1	Sound isolation pad, 6" x 3", 2 holes, urethane
2.	310JJ2	Sound isolation pad, 3" x 3", 1 hole, urethane

**#1/2, #1, #2, #3, #4,  
9AD, 9AT, 14AT,  
17CT, 22CT, 29CT**

**GEARED**  
**MACHINES**  
**MACHINES**

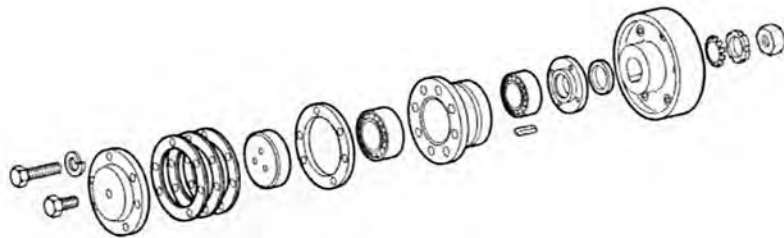




#1/2 Machine  
**Worm/Gear & Sundry Kits**



Kit No.	Ratio
490AW2/200AG1	67:1



Kit No.	Description
	Worm shaft sundry kit

**CALL FOR KIT  
 NUMBERS**

**#1SWT (6119) Machine  
Worm/Gear & Sundry Kits**



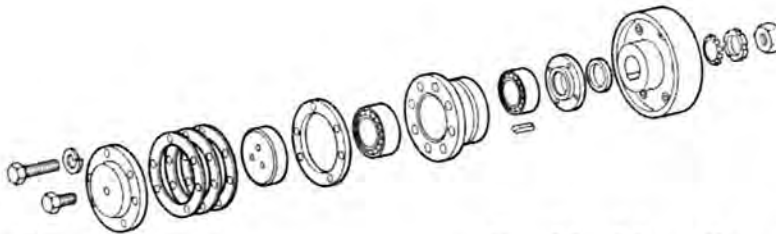
For Machines From 1934-1975



**Kit No.**

**Ratio**

A490EH2/A200G5	54:1
A490EJ2/A200G7	86:1
490GM2/A200G8	15-3/4:1
490CE2/200AZ4	18-1/4:1
490EK2/A200G1	21-2/3:1
490EN2/A200G2	27-1/3:1
490EP2/A200G3	31-1/2:1
490EG2/A200G4	43-1/2:1



For Machines From 1934-1975



**Kit No.**

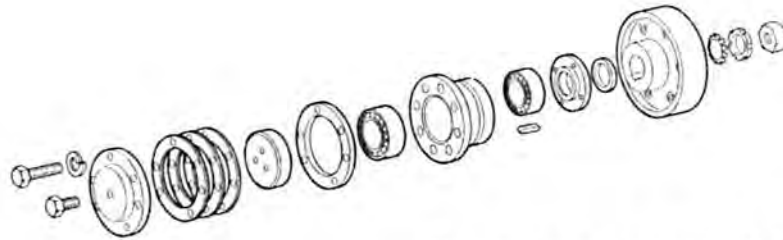
**Description**

Worm shaft sundry kit

**CALL FOR KIT  
NUMBERS**

Machines: 1SWT (6119)

## #1SWT (6119) Machine Worm/Gear & Sundry Kits



For Machines From 1934-1975



**Kit No.**

**Description**

**For overhung sheave**

- Sheave end kit
- Gear end kit

**For inboard sheave**

- Sheave end kit
- Gear end kit

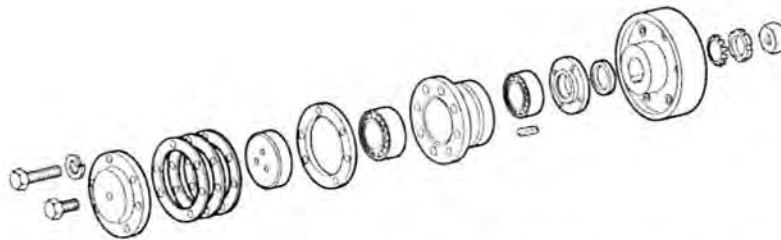
**CALL FOR KIT  
NUMBERS**

**#2SWT (6176) Machine  
Worm/Gear & Sundry Kits**



For Machines From 1934-1975

	Kit No.	Ratio
	490FH2/200AP1	11-7/8:1
	490EY2/200AP4	21-1/4:1
	490FC2/200AP6	28-1/3:1
	490EP2/A200G3	31-2/3:1
	490EG2/A200G4	43-1/2:1



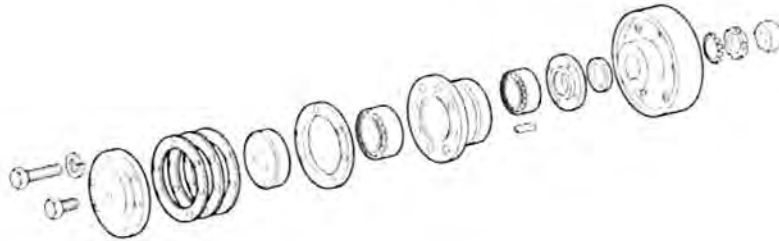
For Machines From 1934-1975

	Kit No.	Description
		Worm shaft sundry kit

**CALL FOR KIT  
NUMBERS**

Machines: 2SWT (6176)

## #2SWT (6176) Machine Worm/Gear & Sundry Kits



For Machines From 1934-1975

Kit No.	Description
<b>CALL FOR KIT NUMBERS</b>	<b>For overhung sheave</b>
	<ul style="list-style-type: none"><li>• Sheave end kit</li><li>• Gear end kit</li></ul>
	<b>For inboard sheave</b>
	<ul style="list-style-type: none"><li>• Sheave end kit</li><li>• Gear end kit</li></ul>

**BEARING**



Part No.	Descriptions
207Z18	Bearing, ball (for worm shaft-motor end) 3.15" O.D., 1.57" I.D.
207W6	Bearing, ball (for worm shaft-worm end) 2.04" O.D., .787" I.D.

**BUSHING**



102243	Bushing, insulating
--------	---------------------

**FITTING**



435D1	Fitting, alemite, 1/8", female thread
435B1	Fitting, alemite, 1/8", male thread

**GASKET**



376D2	Gasket, 2-1/16" I.D., .005" Thk
376D1	Gasket, 2-1/16" I.D., .007" Thk
376C1	Gasket, 2-25/35" I.D., .007" Thk
376B1	Gasket, 7-5/32" I.D., .007" Thk

**LINING**



429A1	Lining, brake shoe - (1933-34 vintage)
416Z2	Lining, brake - (w/4 holes), (1935 - vintage)

# Machines: 9AD & 9AT

## PULLEY



**Part No.**  
A196B1

**Descriptions**  
Pulley, brake, 5-1/2" dia., 1-1/4" bore

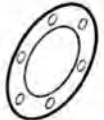
## RIVET



**Part No.**  
145C1  
145C9

**Descriptions**  
Rivet, brass, flat head, 3/16" dia., 5/8" L, for lining  
Rivet - for 416Z2

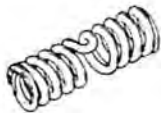
## SHIM



**Part No.**  
255E1  
255E2  
255E3

**Descriptions**  
Shim, .005" Thk, brass, sheave shaft bearing cover  
Shim, .007" Thk, brass, sheave shaft bearing cover  
Shim, .020" Thk, brass, sheave shaft bearing cover

## SPRING

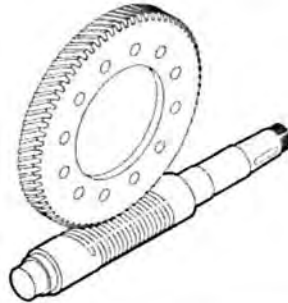


**Part No.**  
90BC7  
91C1

**Descriptions**  
Spring, compression, 15/16" I.D., 4" L, for item 286A1  
Spring, extension, for holder 6189A1



# 14AT Machine w/49ES Motor Worm/Gear & Sundry Kits



Installation Date After 1964

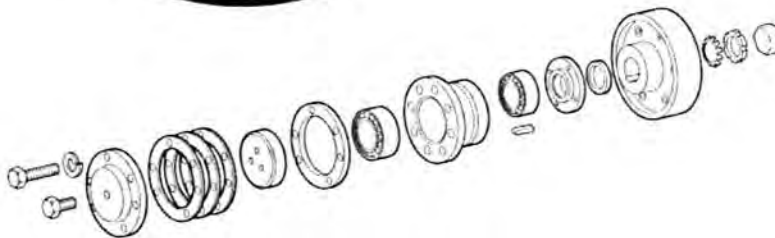


**Kit No.**

**Description**

Please specify ratio & motor type (if different from 49ES)

**CALL FOR KIT NUMBERS**



**Kit No.**

**Description**

Worm shaft sundry kit

**CALL FOR KIT NUMBERS**



**Kit No.**

**Description**

Sheave shaft sundry kit

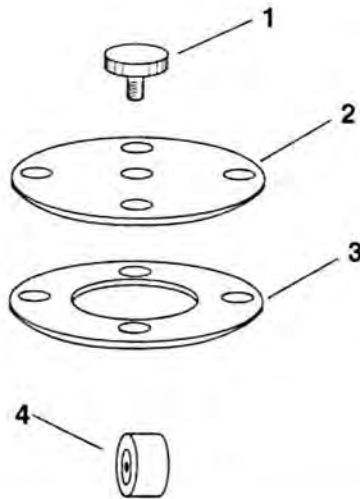
**CALL FOR KIT NUMBERS**



**17CT**

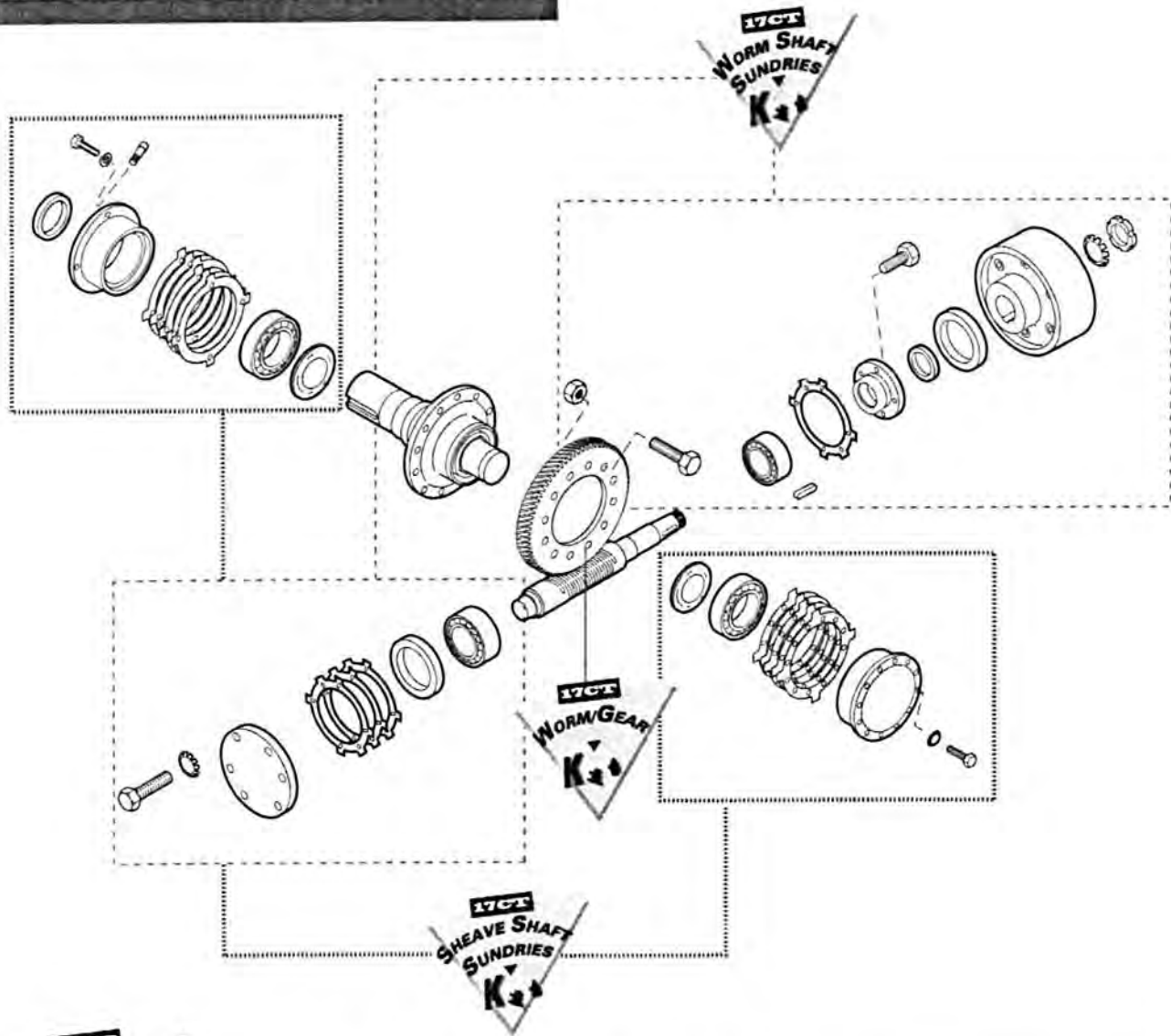


**Upper & Lower Gear Case Spare Parts**



Ref. No.	Part No.	Descriptions
1.	JX435AT1	Ventilator, air
2.	AAA20141C9	Inspection cover, clear plastic
	JX353CA2	Inspection cover, steel
3.	JAA00376AAC1	Gasket
4.	JO719A1	Oil gauge

## Worm/Gear & Sheave Shaft

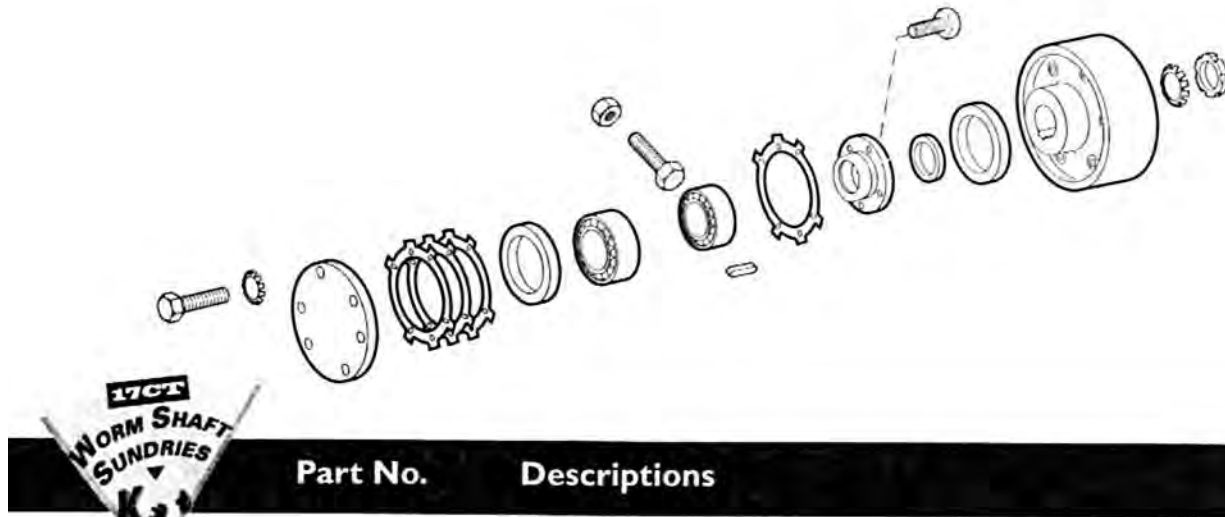


**Part No.**

**Descriptions**

490HN3/JX200BR3	15:1, un-hardened, 75 tooth
490HN6/JX200BR6	25:1, un-hardened, 75 tooth
490HM6/JX200BR6	25:1, hardened, 75 tooth
490HN7/JX200BR7	30:1, un-hardened, 60 tooth
490HM7/JX200BR7	30:1, hardened, 60 tooth
2700AAR8	Kit, 25:1, hardened, 75 tooth (Cavex)

**Sundry Kits**

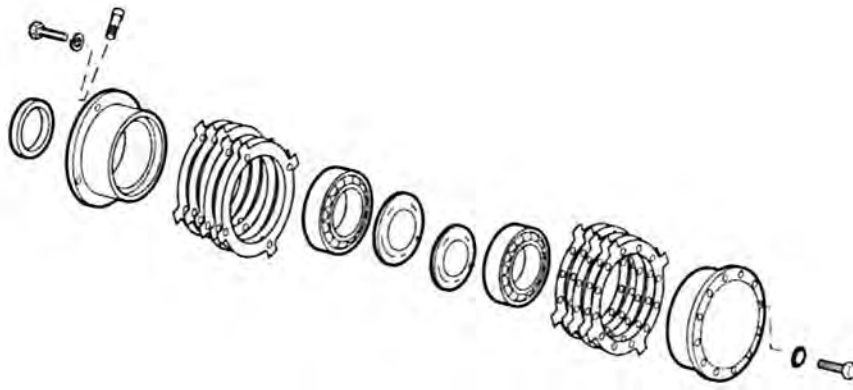


**Part No.**

**Descriptions**

2700AAR1

Kit, wormshaft bearing & gear bolts  
(Consists of bearings, gasket, seals, gear bolts & hardware)



**Part No.**

**Descriptions**

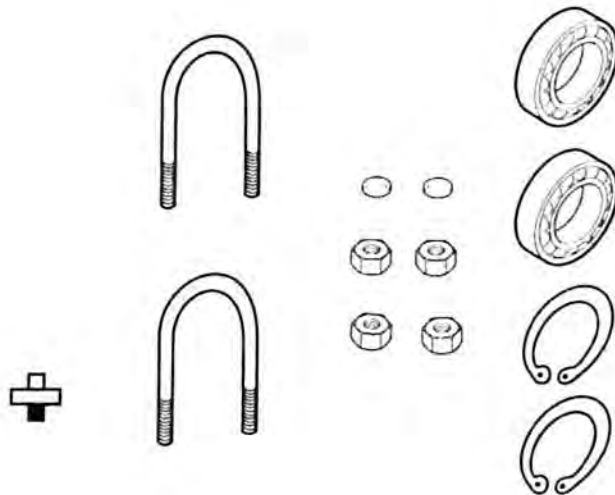
2700AAR2

Kit, sundries & gear bolts for CAVEX machine  
(Consists of shims, seals, gear bolts & hardware)

2700AAR9

Kit, Sheaveshaft sundries  
(Consists of bearings, shims, seals, 0-rings, gear bolts & hardware)

## Deflector Sheave Supporting Parts

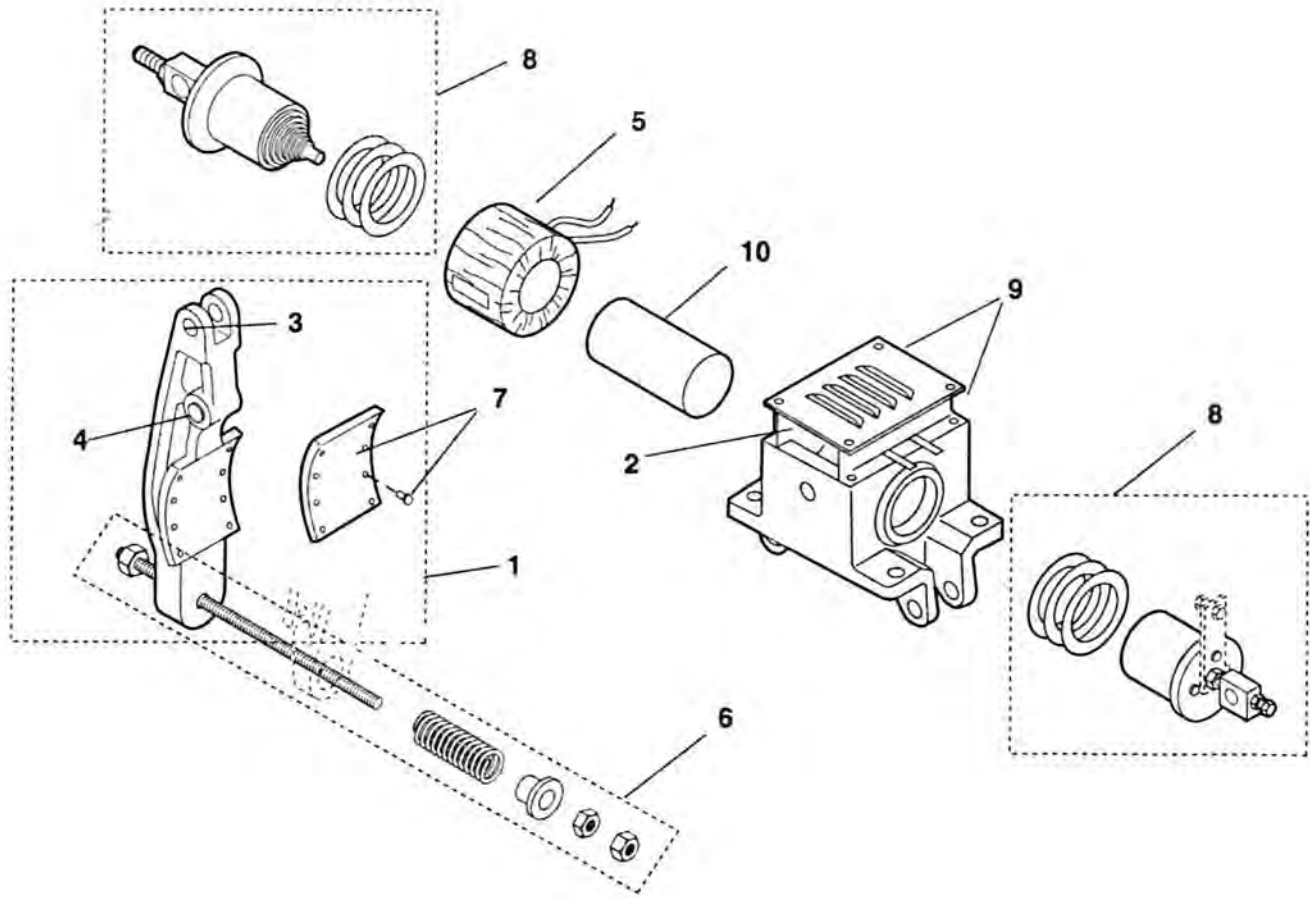


**Part No.**

**Descriptions**

2700CAB9	Bearings & supporting parts for 20" deflector sheave
2700CAB10	Bearings & supporting parts for 25" deflector sheave
2700CAB11	Bearings & supporting parts for 21" deflector sheave

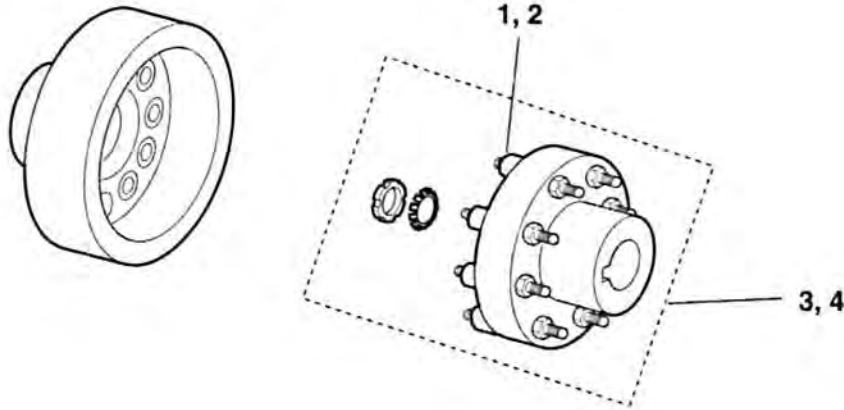
## Brake Assembly parts



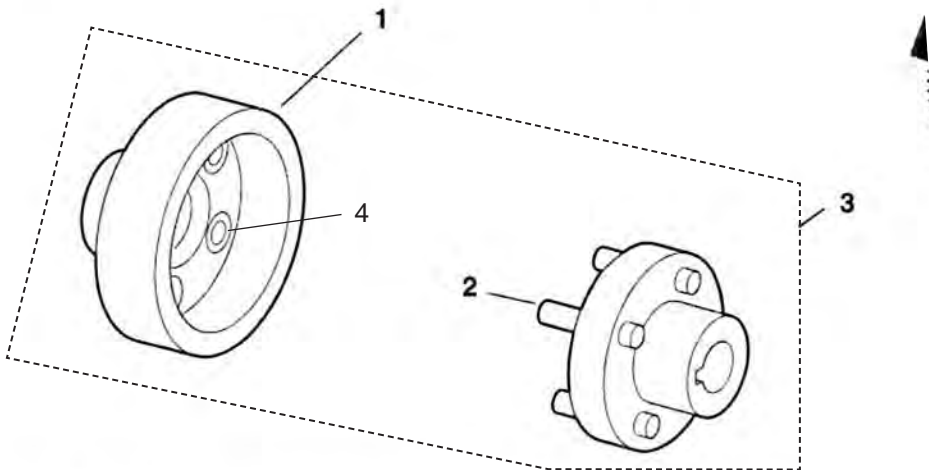
Ref. No.	Part No.	Descriptions
----------	----------	--------------

1.	BLXJY286BF502	Brake lever assembly
2.	2700ADE6	Brake switch assembly
3.	209A6	Bearing, 1.125" O.D., .875" I.D., .5" W
4.	209A3	Bearing, 1.125" O.D., .875" I.D., 1.00" W
5.	JY222FP2	Coil, magnet, 80V
6.	2700CAB21	Brake lever bolt kit
7.	2700CAB23	Brake lining & rivets kit
8.	2700CAB22	Male/female brake magnet core w/shims
9.	177Y1	Switch
10.	136R15	Tube, magnet core

## Brake Coupling Assembly

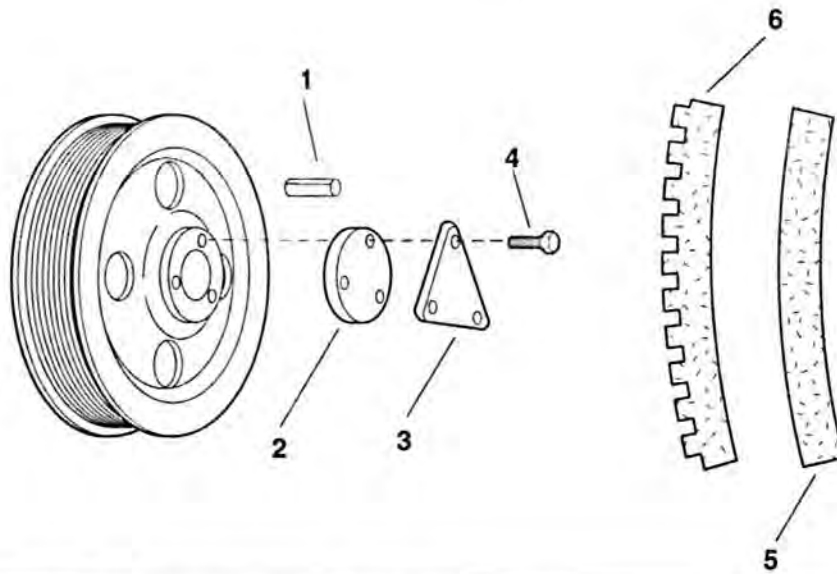


Ref. No.	Part No.	Descriptions
1.	JO65CB3	Bolt, coupling, with rubber bushing, .56" x 2.56"
2.	JO65CB4	Bolt, coupling, with rubber bushing, .8" x 3.4"
3.	2700CAB24	Male coupling kit, 1/16" taper for motors other than 6333DY
4.	2700CAB25	Male coupling kit, 1/20" taper for 6333DY motor
5.	JO7078Y2	Later coupling assy - 8 pin/bushing sets



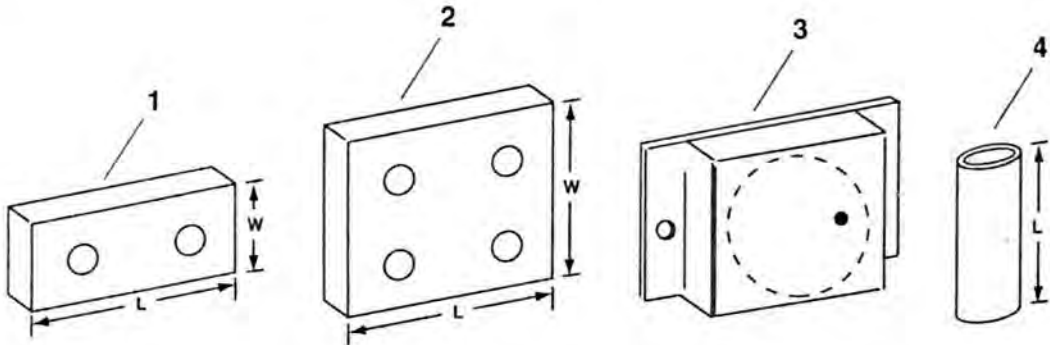
Ref. No.	Part No.	Descriptions
1.	JX215BF4	Coupling, female
2.	78FA42	Pin, 3.50" (4 used on early coupling)
3.	JO7078Y2	Later coupling assembly, 8 bushing/pin sets
4.	321CJ4	Bushing 1.47" OD .74"ID, 1.12 W (4 used on early coupling)

## Drive Sheave Spare Parts



Ref. No.	Part No.	Descriptions
1.	JO192J1	Key
2.	353CA1	Disk
3.	JO130H1	Washer
4.	DIN933 M16x55	Bolt
5.	251BT14	Insert, smooth polyurethane, 24" drive sheave, 1/2" ropes
	251CE8	Insert, smooth polyurethane, 26" drive sheave, 5/8" ropes
	251BT17	Insert, smooth polyurethane, 21" drive sheave, 1/2" ropes
6.	AAA251BT2	Insert, grooved polyurethane, 21" drive sheave, 1/2" ropes
	AAA251BV7	Insert, grooved polyurethane, 26" drive sheave, 5/8" ropes

### Sound Isolation Equipment



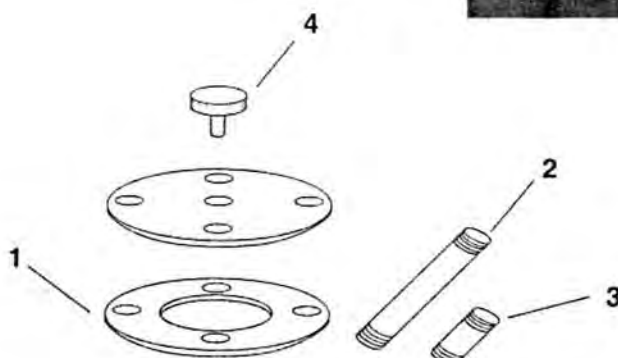
Ref. No.	Part No.	Descriptions
1.	310JJ__	Isolation, sound, rectangular, 2 holes (specify size)
2.	310BE__	Isolation, sound, rectangular, 4 holes (specify size)
3.	JO310ES__	Isolation, sound, specify square w/plate or round w/plate
4.	137AL__	Tubing, specify length



## 22CT (Yonkers)

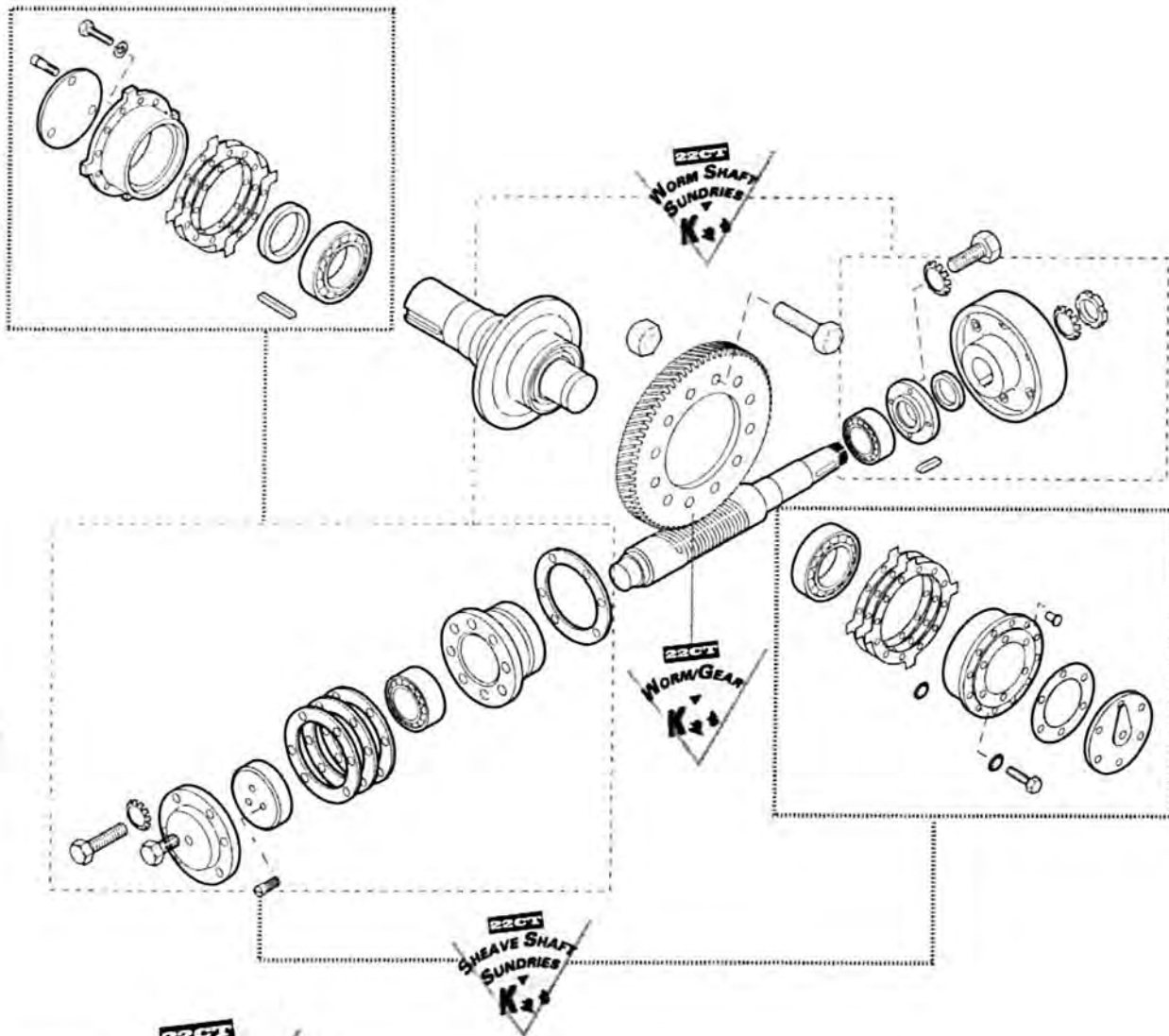


### Gear Case Spare Parts



Ref. No.	Part No.	Descriptions
1.	376H10	Gasket
2.	377KA2	Pipe, 9" L
3.	377KA8	Pipe, 2.5" L
4.	435AT1	Ventilator, air

## Worm/Gear & Sheave Shaft (Overhung)



Kit No.	Ratio
---------	-------

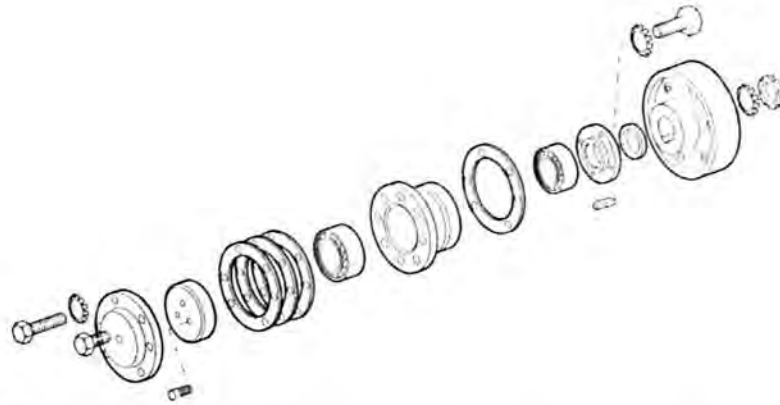


- 490HH11/200BL11
- 490HV1/200BT1
- 490HH3/200BL3
- 490HH4/200BL4
- 480HH6/200BL6

- 20:1
- 24:1
- 23-2/3:1
- 28-1/3:1
- 42-1/2:1

Machines: 22CT (Yonkers)

## Sundry Kits



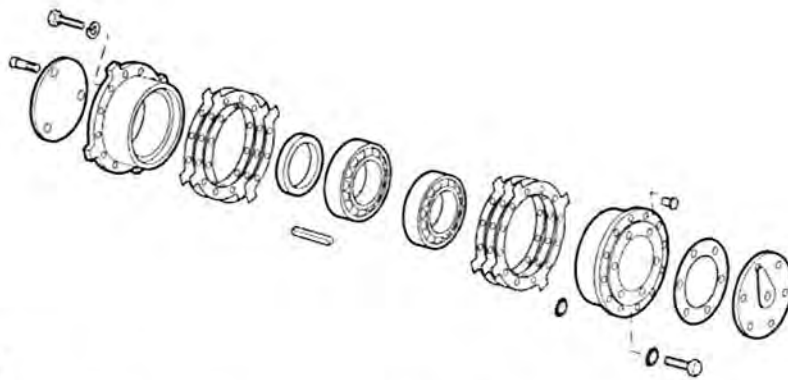
**Kit No.**

**Descriptions**

**CALL FOR KIT NUMBERS**

For machines from 1965-ON with inboard sheave & outboard bearing stand

For machines from 1965-ON with overhung sheave



**Kit No.**

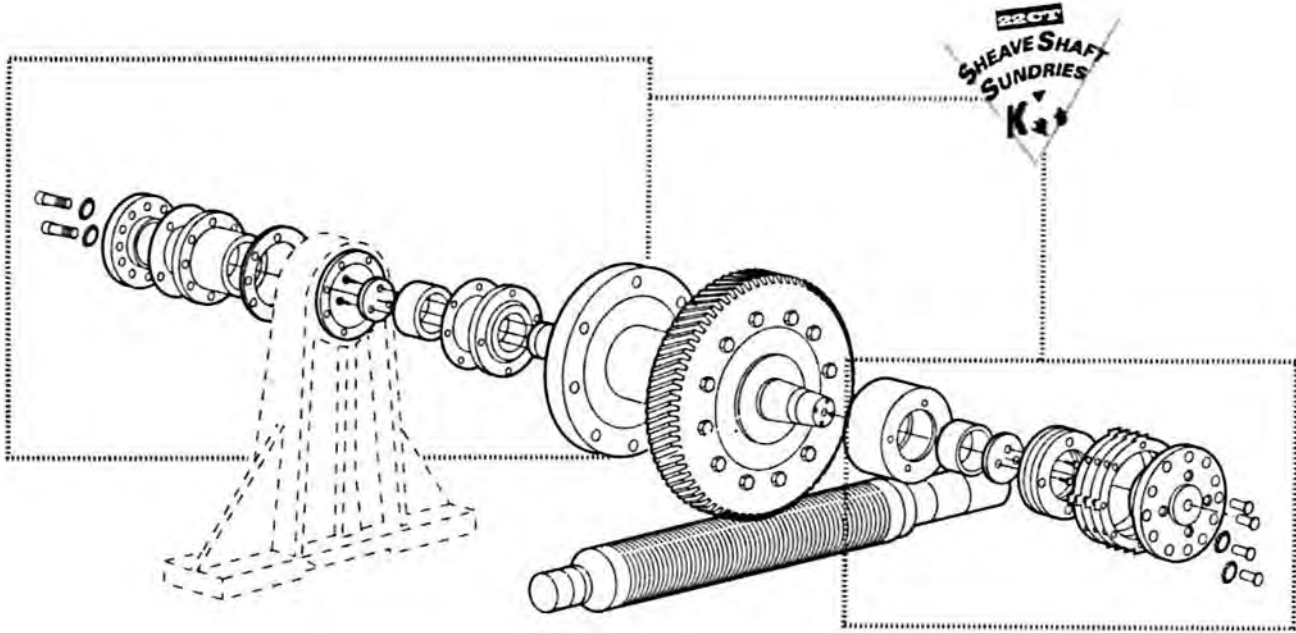
**Descriptions**

**CALL FOR KIT NUMBERS**

For machines from 1971-ON with a thrust bearing cover with eight (8) bolts & 1/2" plug

For machines from 1965-1971 with a thrust bearing cover with six (6) bolts, 1/4" or no pipe plug

## Sundry Kit for Inboard



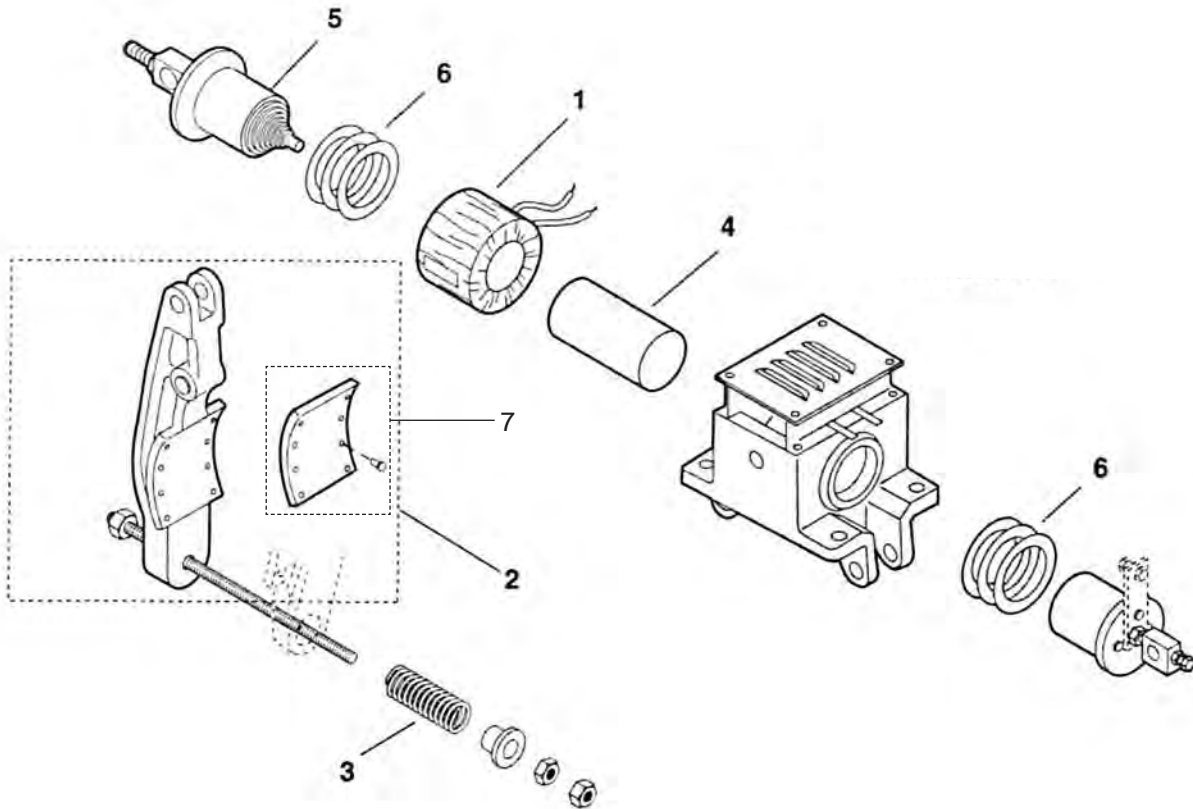
**Kit No.**

**Descriptions**

Sundry kit for inboard

**CALL FOR KIT  
NUMBERS**

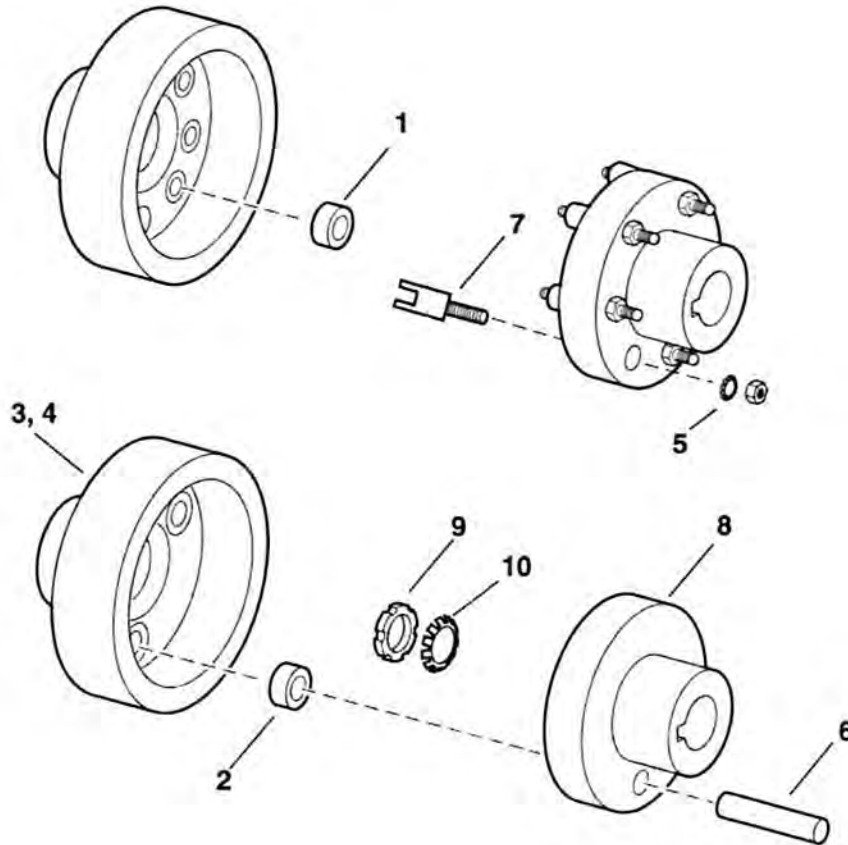
## Brake Assembly Parts



Ref. No.	Part No.	Descriptions
----------	----------	--------------

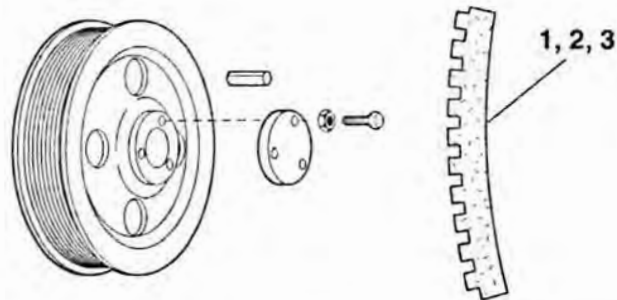
- |    |                 |  |
|----|-----------------|--|
| 1. | <b>222KA5</b>   | Coil, magnet, 5.25" L                                |
|    | <b>222J11</b>   | Coil, magnet, 5.75" L                                |
| 2. | <b>286AS2</b>   | Brake arm-assembled w/lining                         |
| 3. | <b>90XC10</b>   | Spring, 5" free length                               |
|    | <b>90BD2</b>    | Spring, 5-7/8" free length                           |
| 4. | <b>136R11</b>   | Tube, magnet core, 9.6" L                            |
|    | <b>136R12</b>   | Tube, magnet core, 8.32" L                           |
| 5. | <b>400DH2</b>   | Core, 5.1" L   |
| 6. | <b>255CK2</b>   | Shim   |
| 7. | <b>2700CAT6</b> | Kit, brake lining & rivets (for all control systems) |

## Brake Coupling Assembly



Ref. No.	Part No.	Descriptions
1.	321CJ3	Bushing, 1.40" O.D., .75" I.D. - Brass core
2.	456C5	Roller, 1.48" O.D., .76" I.D. - Fibre core
3.	A215AV2	Coupling, female, w/2 holes, 10" I.D.
4.	A215AT2	Coupling, female, w/2 holes, 11" I.D.
5.	WSR LK1/2 2P	Lockwasher, spring, 1/2"
6.	78FA41	Pin, 3.88" L - Pressed in
7.	95BT3	Stud - Held on by nut
8.	A215AS2	Coupling
9.	72BV11	Nut
10.	130AA11	Washer

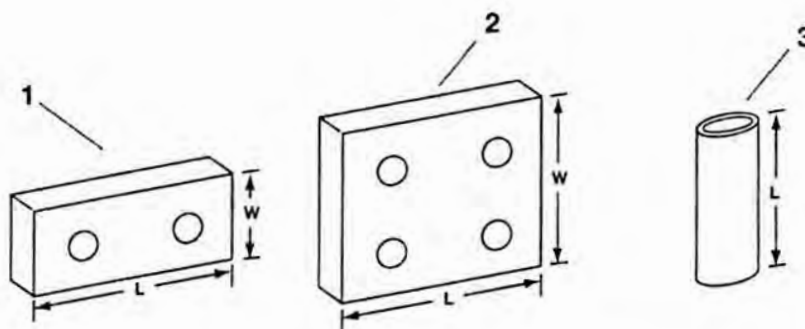
## Drive Sheave Assembly



Ref. No.	Part No.	Descriptions
1.	AAA251BT9	Insert, treaded polyurethane, 28" drive sheave, 1/2" ropes
2.	AAA251BT10	Insert, treaded polyurethane, 30" drive sheave, 1/2" ropes
3.	AAA251BT11	Insert, treaded polyurethane, 32" drive sheave, 1/2" ropes

Contact OSC for smooth liners  
and liners for 5/8" ropes.

## Sound Isolation Equipment

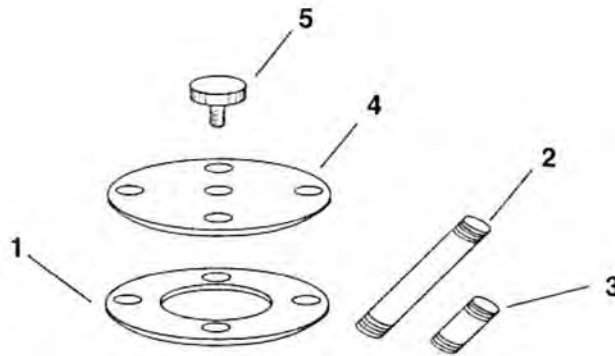


Ref. No.	Part No.	Descriptions
1.	310JJ1	Sound isolation pad, rectangular, 6" x 3" w/2 holes, urethane
	310JJ2	Sound isolation pad, rectangular, 3" x 3" w/1 hole, urethane
2.	310BE1	Sound isolation pad, rectangular, 6" x 6" w/4 holes, rubber
	310BE2	Sound isolation pad, rectangular, 6" x 3" w/2 holes, rubber
	310BE3	Sound isolation pad, rectangular, 3" x 3" w/1 hole, rubber
3.	137AL2	Tubing, 7.5" L

## 22CT (Hamilton)



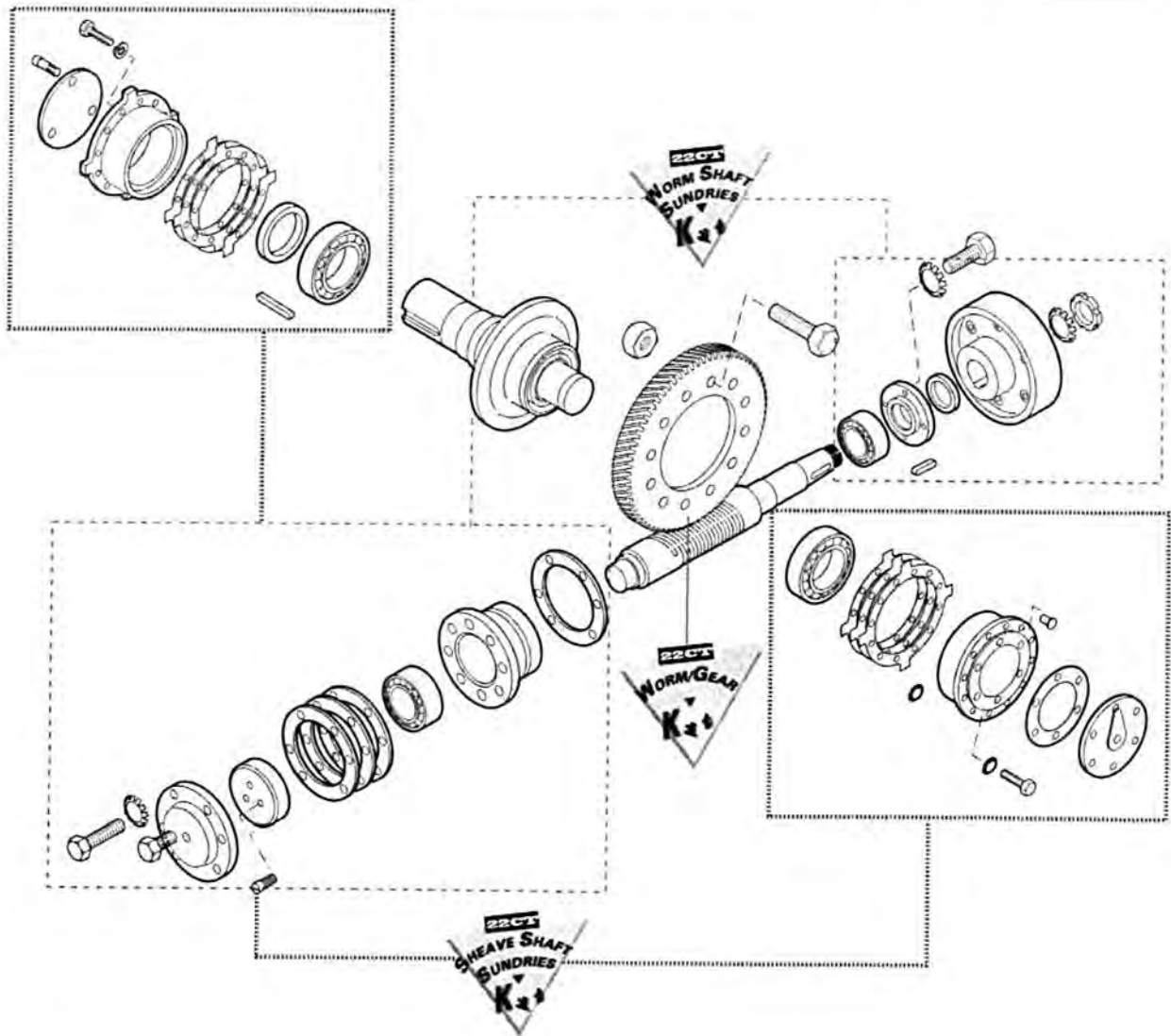
### Top of Gear Case Spare Parts



Ref. No.	Part No.	Descriptions
1.	376H10	Gasket
2.	377KA2	Pipe, 9" L
3.	377KA8	Pipe, 2.5" L
4.	AAA20141C11	Cover, clear
5.	435AT1	Ventilator, air



## Worm/Gear & Sheave Shaft (Overhung)



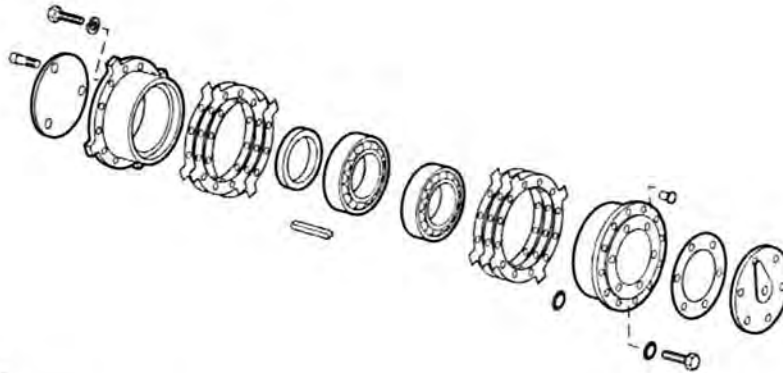
**Kit No.**

**Ratio**

- 490HH11/200BL11
- 490HV1/200BT1
- 490HH3/200BL3
- 490HH4/200BL4
- 480HH6/200BL6

- 20:1
- 24:1
- 23-2/3:1
- 28-1/3:1
- 42-1/2:1

## Sundry Kits



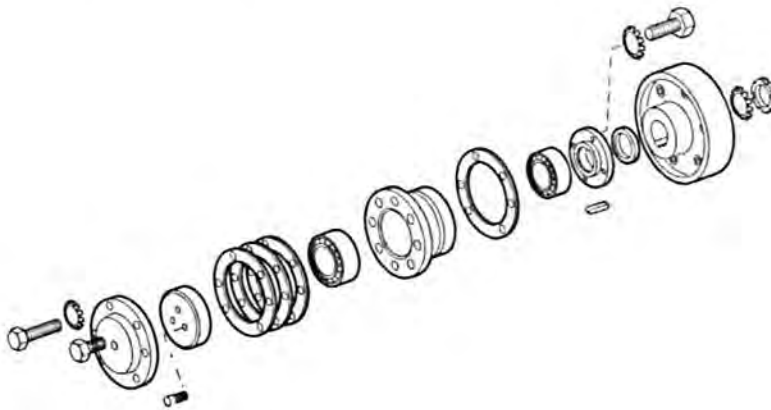
**Kit No.**

**Descriptions**

For machines from 1965-ON with inboard sheave & outboard bearing stand

**CALL FOR KIT NUMBERS**

For machines from 1965-ON with overhung sheave



**Kit No.**

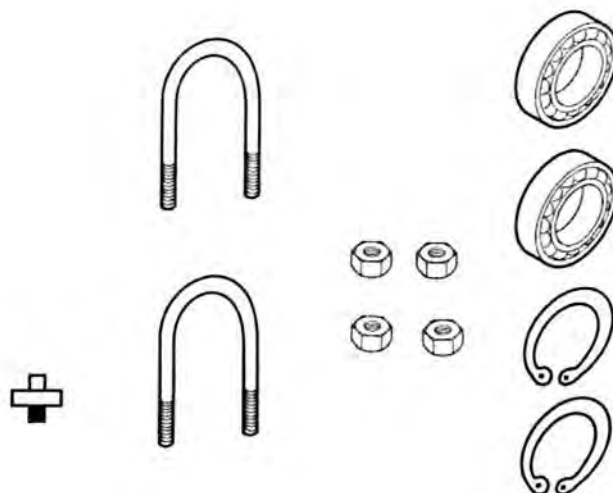
**Descriptions**

For machines from 1971-ON with a thrust bearing cover with eight (8) bolts & 1/2" plug

**CALL FOR KIT NUMBERS**

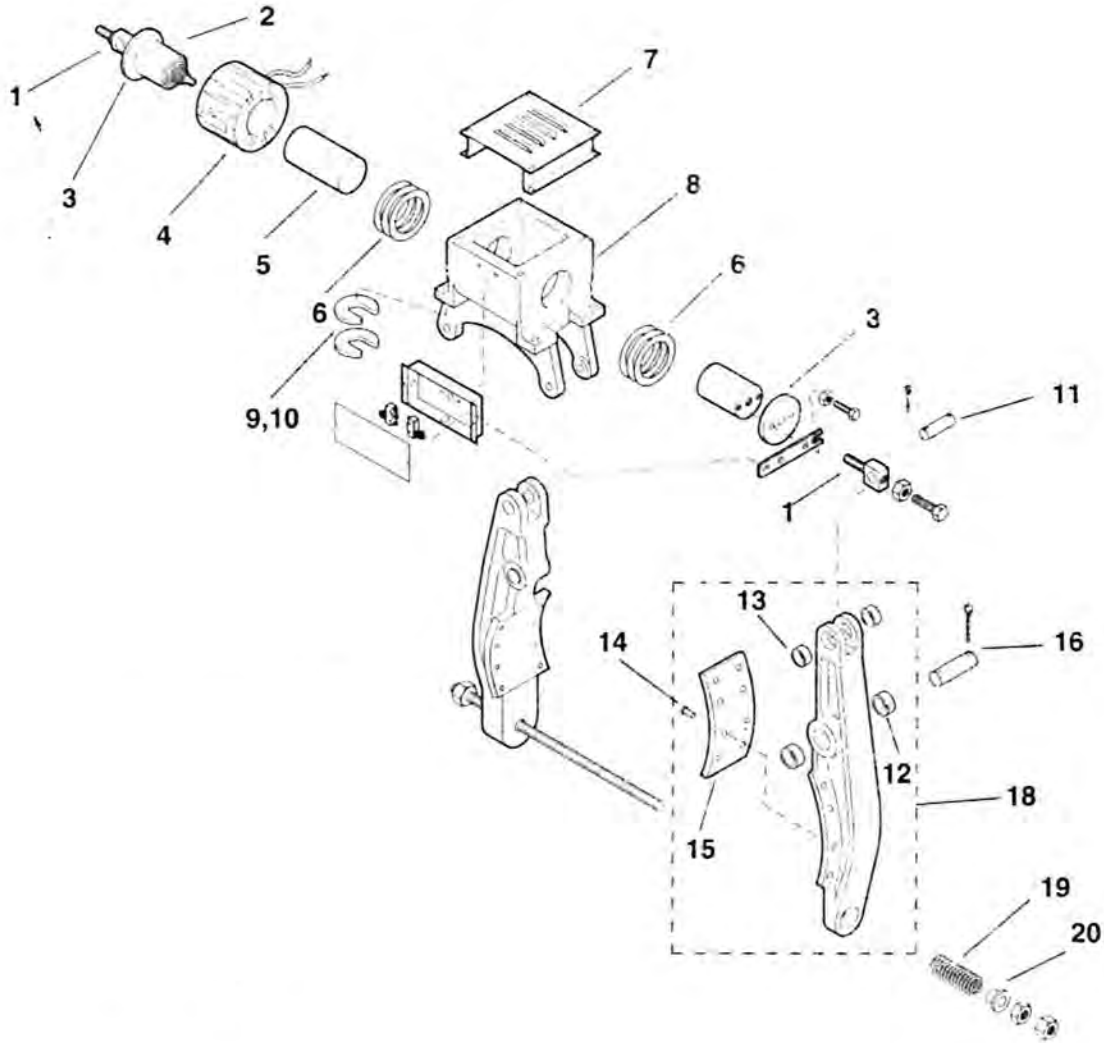
For machines from 1965-1971 with a thrust bearing cover with six (6) bolts, 1/4" or no pipe plug

## Deflector Sheave Supporting Parts



Kit No.	Descriptions
2700CAB10	Bearings & supporting parts for 25" deflector sheave

## Brake Assembly Parts



Ref. No.	Part No.	Descriptions
----------	----------	--------------

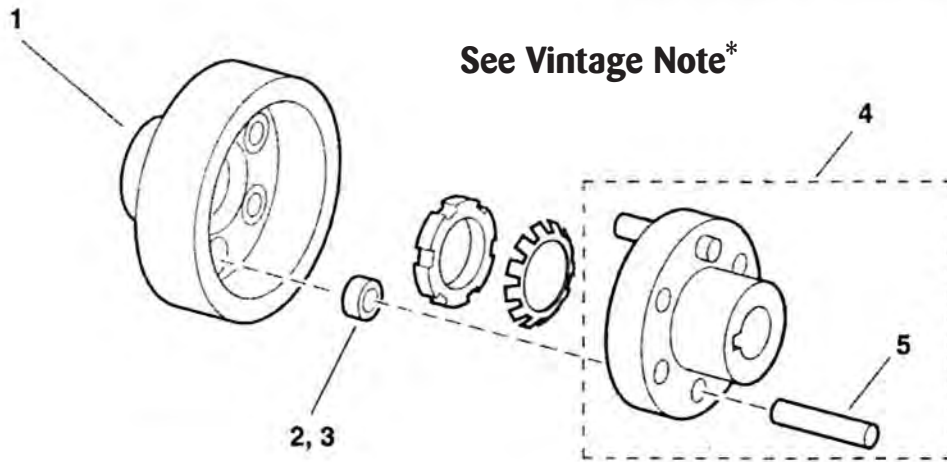
1.	65GA4	Bolt
2.	400DH1	Magnet core, male
3.	353BB3	Disk
4.	222J11	Coil
5.	136R11	Tube
6.	255CK2	Shim, brass
7.	285BN1	Cover
8.	396FV1*	Brake housing
9.	255BN1	Shim, .0060 thk, iron

Ref. No.	Part No.	Descriptions
----------	----------	--------------

10.	255BN2	Shim, .01 thk, steel
11.	82R13	Pin
12.	209A3	Bearing
13.	209A6	Bearing
14.	145C2	Rivet
15.	416AP1	Brake lining
16.	81CC1	Pin
18.	286AS3	Brake lever assembly
19.	90BD2	Spring
20.	133AH1	Washer

\*This item may require special order

## Brake Coupling Assembly

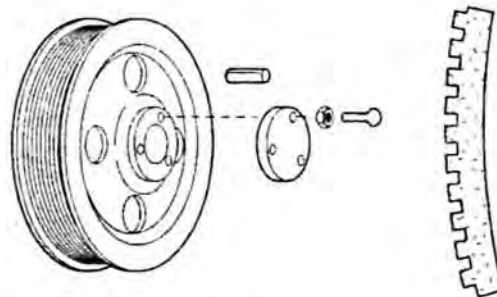


Ref. No.	Part No.	Descriptions
----------	----------	--------------

- |    |         |                               |
|----|---------|-------------------------------|
| 1. | A215AT2 | Female coupling assembly      |
| 2. | 456C5   | Roller, 1.48" O.D., .76" I.D. |
| 4. | A215AS2 | Male coupling assembly        |
| 5. | 78FA41  | Pin                           |

\* Later Vintage Parts Shown Only. Early Vintage Couplings Used Bolt-In Pins Ref 5 (P/N: 95BT3), & Bushings 321CJ3.

## Drive Sheave Assembly



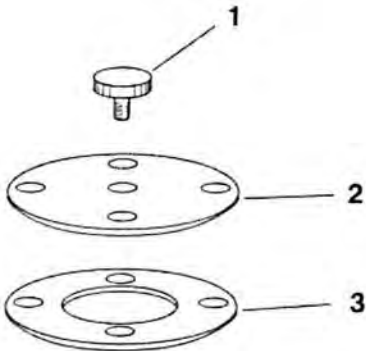
Ref. No.	Part No.	Descriptions
----------	----------	--------------

- |    |           |   |
|----|-----------|---|
| 1. | 260CN1    | Drive sheave, 28", 4 ropes                |
| 2. | 192D69    | Key, 1" sq                                |
| 3. | AAA251BV9 | Insert, grooved, polyurethane, 5/8" ropes |

# 29CT



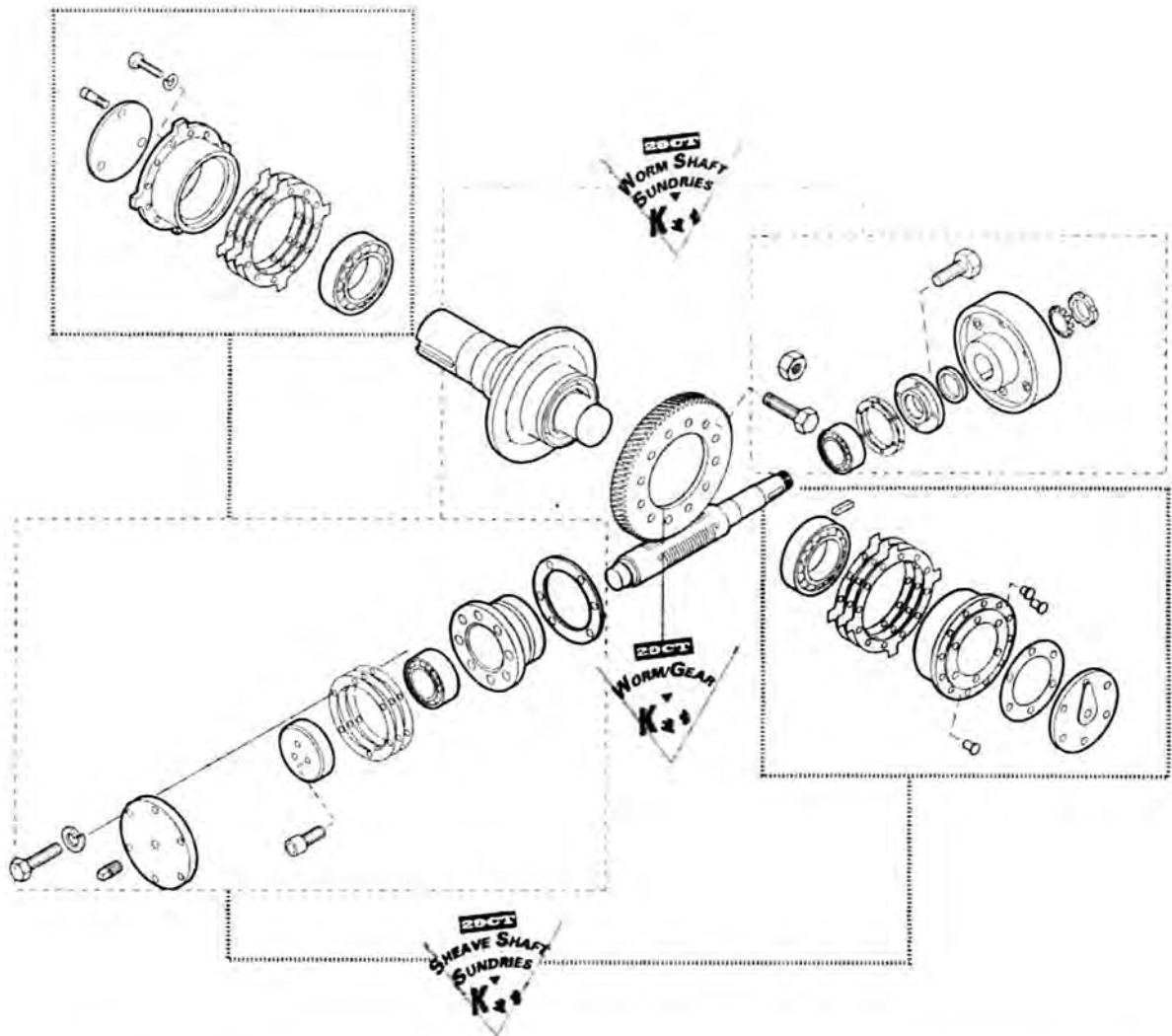
## Top of Gear Case Spare Parts



Ref. No.	Part No.	Descriptions
----------	----------	--------------

1.	435AT1	Fitting
2.	AAA20141C11	Disk
3.	376H10	Gasket, vellumoid, .0625" thk

## Worm/Gear & Sheave Shaft

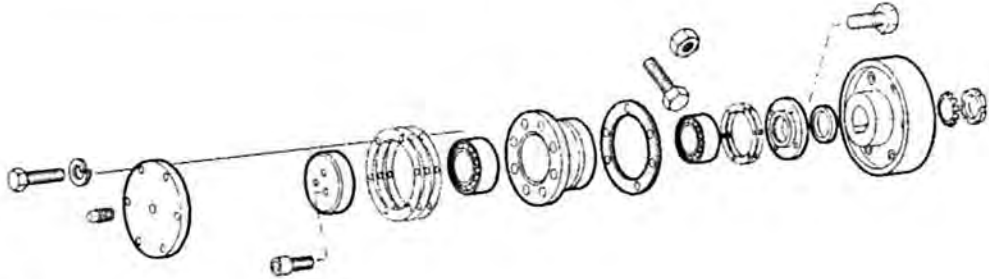


Kit No.

Descriptions

490HJ1/200BM1	68:1
490HJ4/200BM4	27-1/3:1
490HJ7/200BM7	17-1/5:1
490HJ2/200BM2	45-1/2:1
490HJ3/200BM3	34-1/2:1
490HJ5/200BM5	22-1/2:1
490GP6/200BM6	19-1/2:1
490HJ8/200BM8	13-1/2:1
490GP9/200BM9	11-2/7:1

### Machine Worm Shaft Kits



Kit No.	Descriptions
---------	--------------

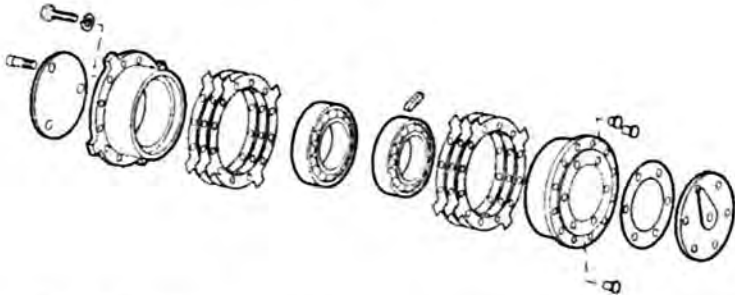
**CALL FOR KIT NUMBERS**

For machines from 1965-1970 w/8.75" thrust housing bolt circle diameter + **B490GP** worm shaft.

If thrust cover is without pipe plug, also order housing upgrade kit.

For machines from 1970-ON w/10.5" thrust housing bolt circle diameter + **490HJ** worm shaft.

### Machine Sheave Shaft Kits



Kit No.	Descriptions
---------	--------------

**CALL FOR KIT NUMBERS**

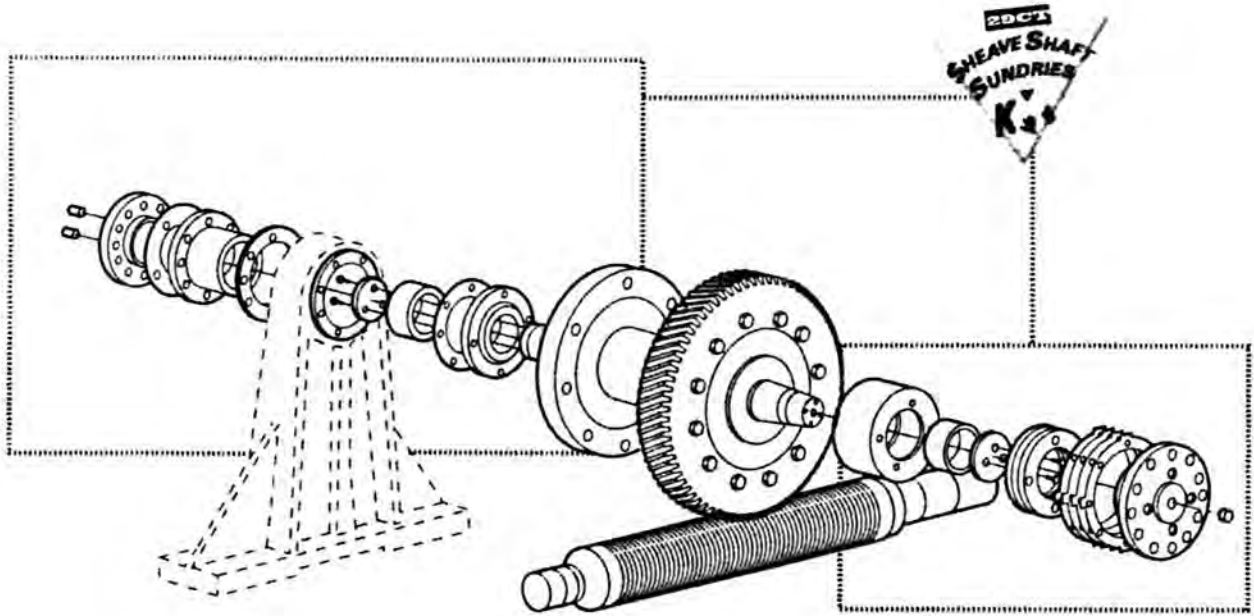
Sheave shaft parts (For machines with INBOARD sheaves & OUTBOARD bearing stands).


Sheave shaft parts (For machines with OVERHUNG sheaves).

Machines

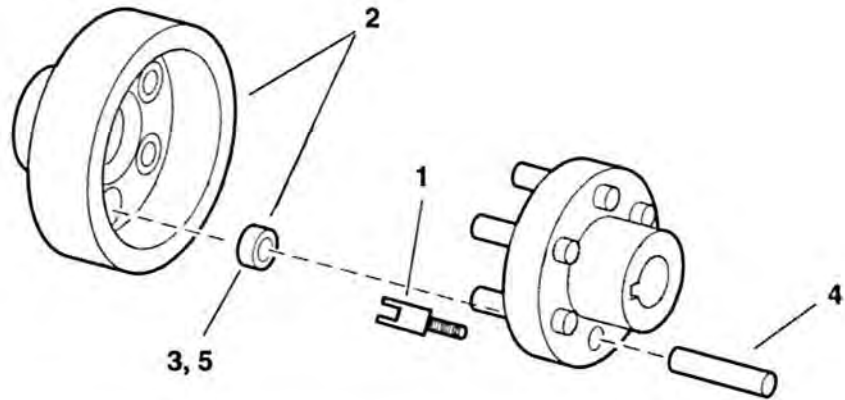


## Machine Sheave Shaft Kit, Inboard Sheave



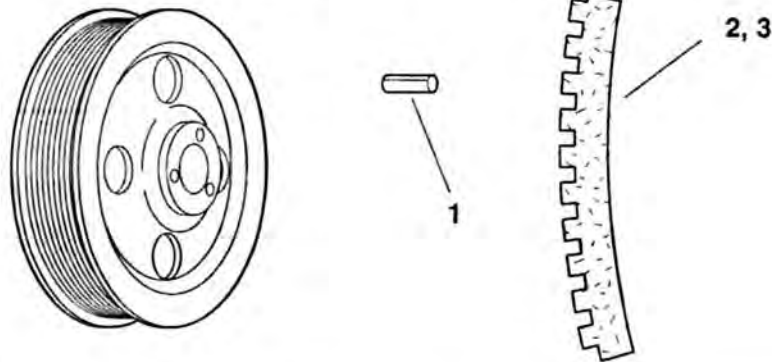
	Kit No.	Descriptions
<b>CALL FOR KIT NUMBERS</b>		Sundry kit for inboard

## Brake Coupling Assembly



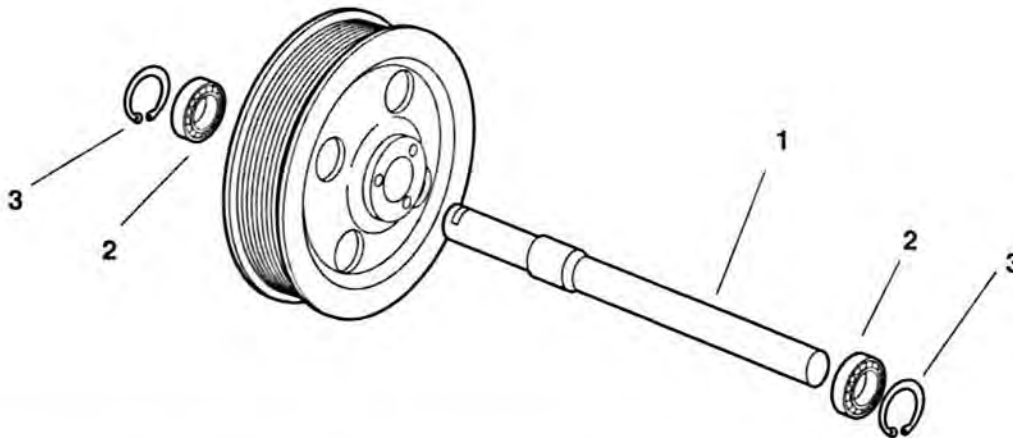
Ref. No.	Part No.	Descriptions
1.	95BT2	Stud - threaded - held by nut
2.	215AX3	Female coupling assembly w/1.87" holes (for 321CJ2)
3.	321CJ2	Bushing, brass, 1.875" O.D., .875" I.D.
4.	78FA41	Pin, 3.88" L - Press fit
5.	456C5	Bushing w/fibre core - 1.48" O.D., .75" I.D.

## Drive Sheave Assembly



Ref. No.	Part No.	Descriptions
1.	192D71	Key, for use with overhung drivers
2.	AAA251BV11	Insert, grooved, polyurethane for use with 32" overhung drive sheaves, 5/8" ropes
3.	AAA251BV13	Insert, grooved, polyurethane for use with 38" overhung drive sheaves, 5/8" ropes

## Deflector Sheave Supporting Parts

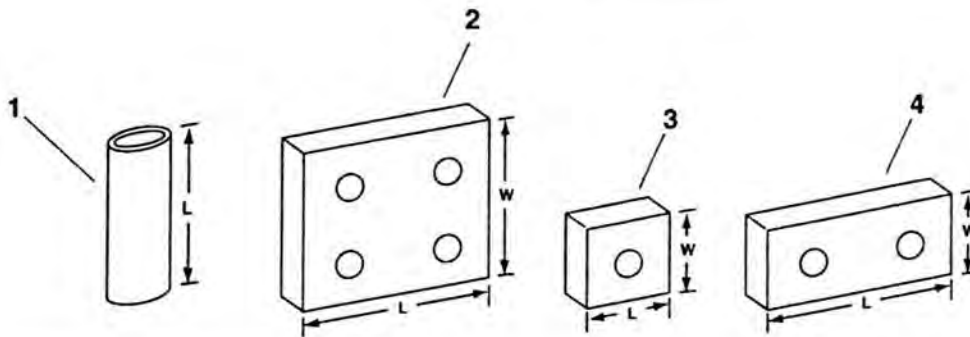


Ref. No.	Part No.	Descriptions
----------	----------	--------------

- |    |         |                                 |
|----|---------|---------------------------------|
| 1. | 495CL2* | Deflector shaft                 |
| 2. | 209B15  | Bearing, 7.00" O.D., 4.50" I.D. |
| 3. | 172FD2  | Retaining ring                  |

\* This item may require special order

## Sound Isolation Equipment



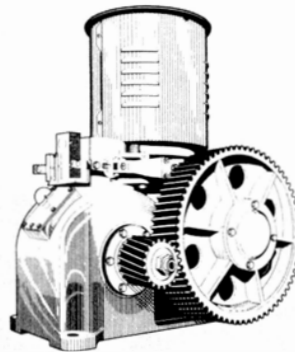
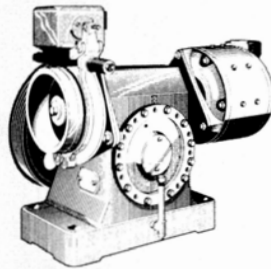
Ref. No.	Part No.	Descriptions
----------	----------	--------------

- |    |        |                                 |
|----|--------|---------------------------------|
| 1. | 137AL3 | Tubing                          |
| 2. | 310BE1 | Isolation pad, 6" x 6", 4 holes |
| 3. | 310BE3 | Isolation pad, 3" x 3", 1 hole  |
| 4. | 310BE2 | Isolation pad, 6" x 3", 2 holes |

**ESCALATOR**  
**14VEC, 16VEC,**  
**17VEC**



**OSC** HAS MANY OLDER  
 MODEL MACHINES THAT YOU  
 MAY NOT FIND IN THIS CATALOG.  
 PLEASE DO NOT HESITATE TO  
 CALL US FOR ASSISTANCE. WE  
 WILL BE ABLE TO FURNISH YOU  
 WITH UPDATED INFORMATION  
 CONCERNING REPLACEMENT  
 PARTS FOR THESE MACHINES.



**FUTURE**

MACHINE  
 SECTIONS:  
 1/2SWT, 1SWT,  
 2SWT, 3SWT,  
 4SWT(38BT),  
 14AT

**BEARING**



Part No.	Descriptions
207Z60	Ball Bearing, inside, 5.11" O.D., 2.95" I.D.
207AR9	Ball Bearing, thrust, 3.93" O.D., 1.77" I.D.
209A2	Bearing, needle, 1" O.D., .75 I.D.
209A10	Bearing, needle, .875" O.D., .687" I.D.
209B10	Ball Bearing, drive shaft, 5.91" O.D., 3.00" I.D.

**BOLT**



60D47	Bolt, brake, 1/2" dia., 13" L
58XA156	Bolt, base 5/8" dia., 4" L

**BUSHING**



321DJ1*	Bushing, worm shaft
335E40	Bushing, drive shaft

\* This item may require special order

**CHAIN**



332AW10	Chain, single, main drive, 1-1/4" pitch, 140" L
332AW11	Chain, double, main drive, 1-1/4" pitch, 140" L
332AW23	Chain, single, main drive, 1-1/4" pitch, 137.5" L
332AW24	Chain, double, main drive, 1-1/4" pitch, 137.5" L

**COIL**

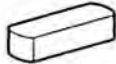






222KA5	Coil, brake
--------	-------------

**GASKET**

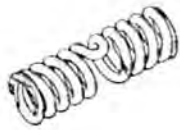


376DM1	Gasket, 13/16" I.D., 5/8" O.D., 1/16" thk
--------	---

KEY	Part No.	Descriptions
	192D24	Key, 1" sq., 4-1/8" L
	192G38	Key, 3/8" sq., 5" L
	192G107	Key, 3/4" sq., 3" L
<b>LINING</b>		
	416AJ1	Lining, brake, 2-3/4" x 5-1/2" x 1/4"
<b>NUT</b>		
	67H9	Nut, 1/2-20
	67R1	Nut, 1/4" elastic stop
	67T1	Nut, 1/4" elastic stop
<b>PIN</b>		
	81AX28	Pin, spring, 3/8" dia., 2-1/2" L
	81BM1	Pin, 1/2" dia., 1-3/8" L
<b>SEAL</b>		
	33B10	Seal, oil, 3" I.D., 4" O.D., 15/32" thk.
	33D15	Seal, oil, 1-1/4" I.D., 2-1/8" O.D., 3/8" thk
	33D17	Seal, oil, 2-1/16" I.D., 3-1/16" O.D., 3/8" thk
<b>SHIM</b>		
	255CK3	Shim, 3" I.D., 4" O.D., .008" thk (brass)
	255HB22	Shim, 3-31/32" I.D., 5-3/8" O.D., .0075" thk (plastic)
	255HB23	Shim, 3-31/32" I.D., 5-3/8" O.D., .003" thk (plastic)
	255JA1	Shim, 6-1/32" I.D., 7" O.D., .003" thk (plastic)
	255JA2	Shim, 6-1/32" I.D., 7" O.D., .0075" thk (plastic)
	255JA3	Shim, 6-1/32" I.D., 7" O.D., .020" thk (plastic)
	255VB25	Shim, 12-17/32" I.D., 14" O.D., .007" thk (plastic)

# Machines: 14VEC

## SPRING



### Part No.

### Descriptions

90XA12

Spring, compression, 11/32" I.D., 1-9/16" L

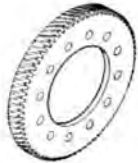
90CC1

Spring, 1-1/2" O.D., 1-1/2" L

90KC4

Spring, brake, 1-1/2" O.D., 3-5/8" L

## SPROCKET



195FN2

Sprocket, drive, 22 teeth, single, 1-1/4" pitch

195FP2

Sprocket, drive, 22 teeth, double, 1-1/4" pitch

195GH2

Sprocket, drive, 20 teeth, double, 1-1/4" pitch

195GJ2

Sprocket, drive, 20 teeth, single, 1-1/4" pitch

## SWITCH



AAA6098NR1

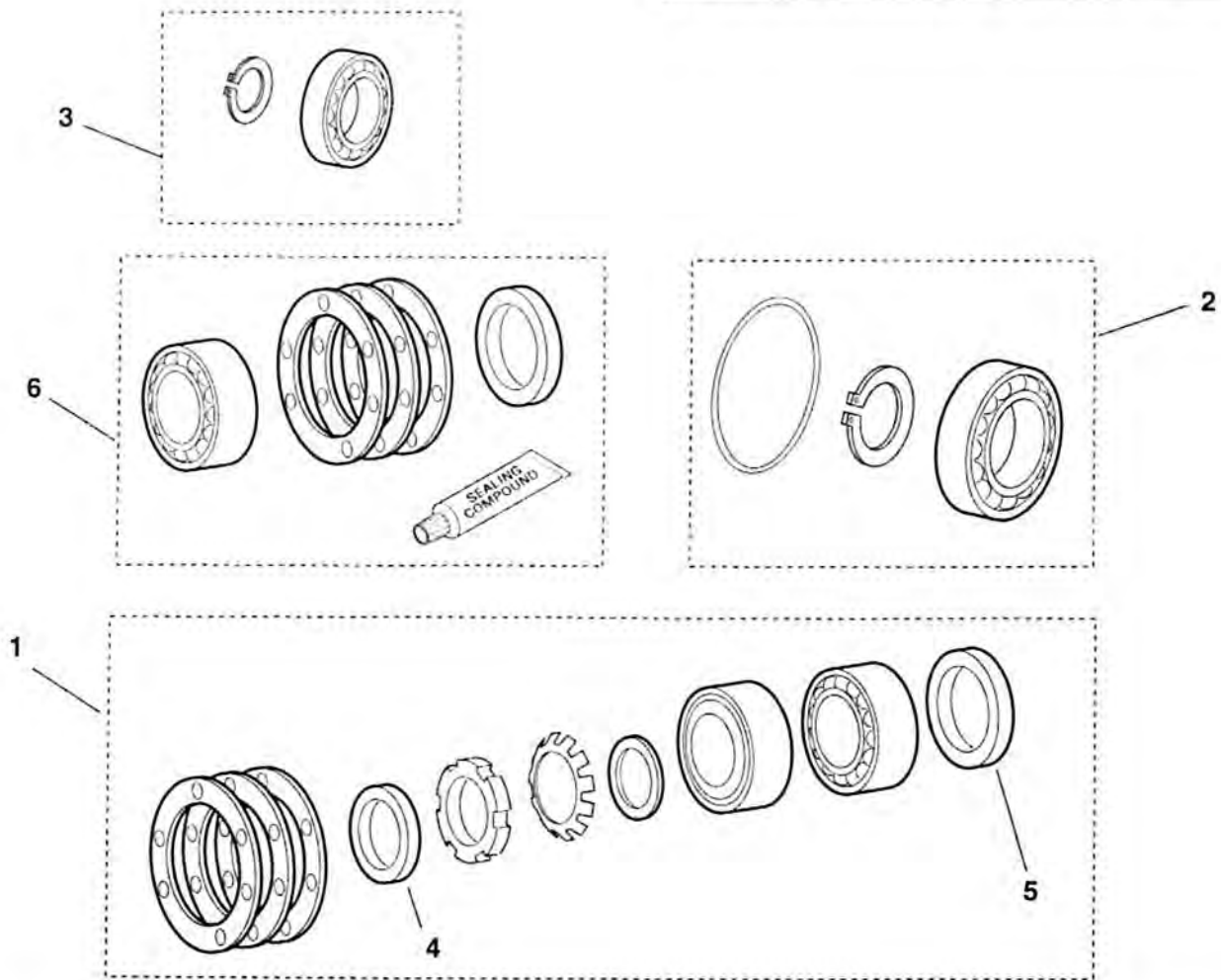
Switch, mechanical (for governor)

6098ZA3

Switch, mechanical



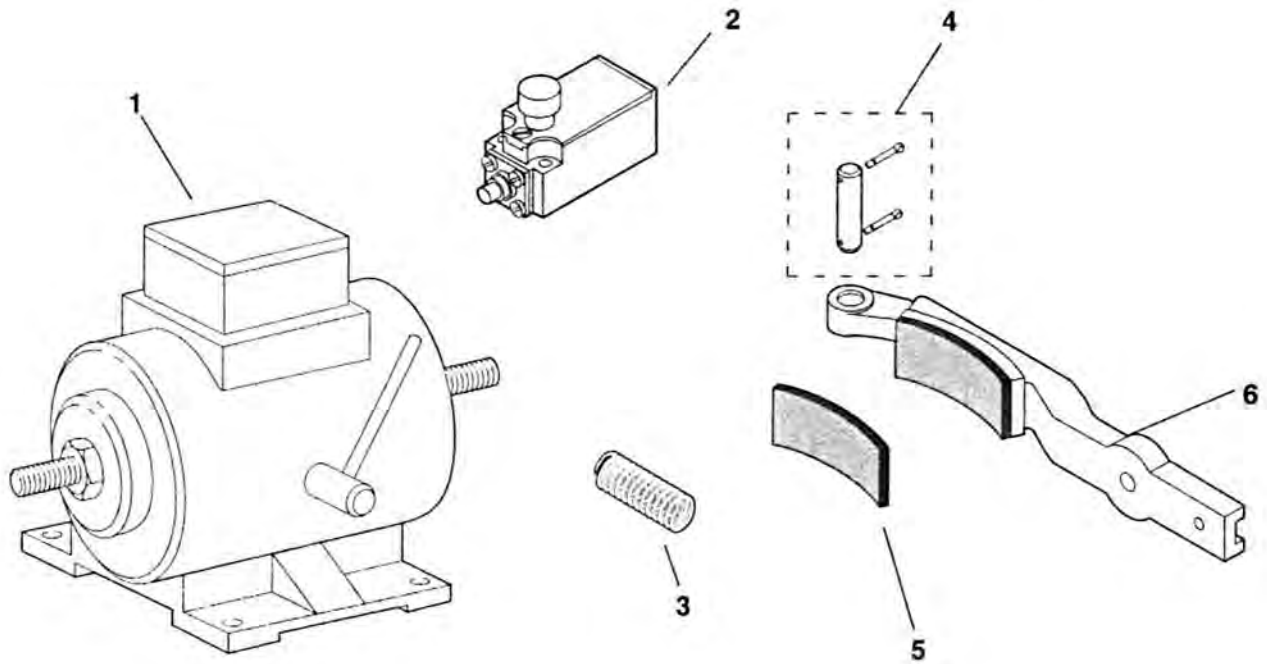
## Worm Shaft Spare Parts



Ref. No.	Part No.	Descriptions
1.	GO2500AX17 GO2500AX18	Bearing complete for systems $\leq$ 11.7 KW Bearing complete for systems $>$ 11.7 KW
2.	GO2500AX24	Bearing complete
3.	GO2500AX4	Bearing complete
4.	GO2500AX13	Oil seal
5.	GO2500AX15 GO2500AX14	Oil seal for systems $\leq$ 11.7 KW Oil seal for systems $>$ 11.7 KW
6.	GO2500AX5 GO2500AX9	Bearing complete Bearing complete, dual drive

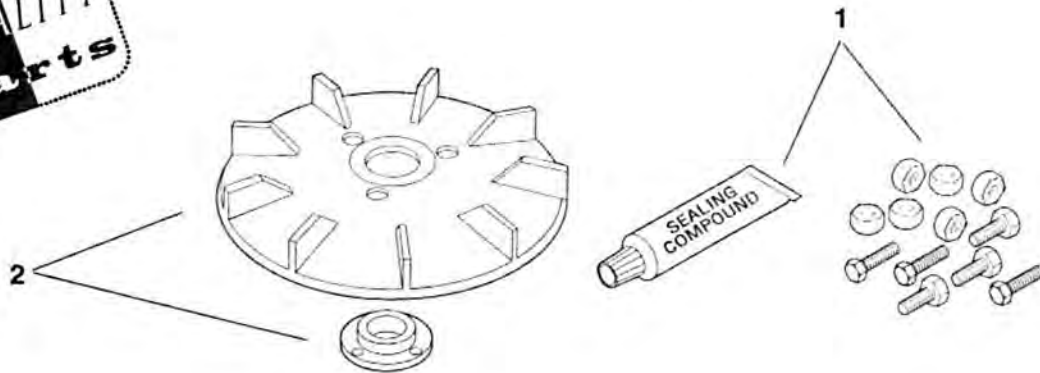


## Brake Spare Parts



Ref. No.	Part No.	Description	Magnet force	Voltage
1.	GO222P1	Solenoid	230-480 N	220VAC
	GO222P2	Solenoid	510-550 N	220VAC
	GO222P3	Solenoid	650-800 N	220VAC
	GO222P6	Solenoid	510-550 N	110VAC
	GO222P7	Solenoid	230-480 N	110VAC
2.	GO177BX1	Switch		
3.	GO90AE1	Spring		
4.	GO2500AX6	Fastening parts		
5.	GO416G2	Brake lining		
6.	GO286T1	Brake lever		

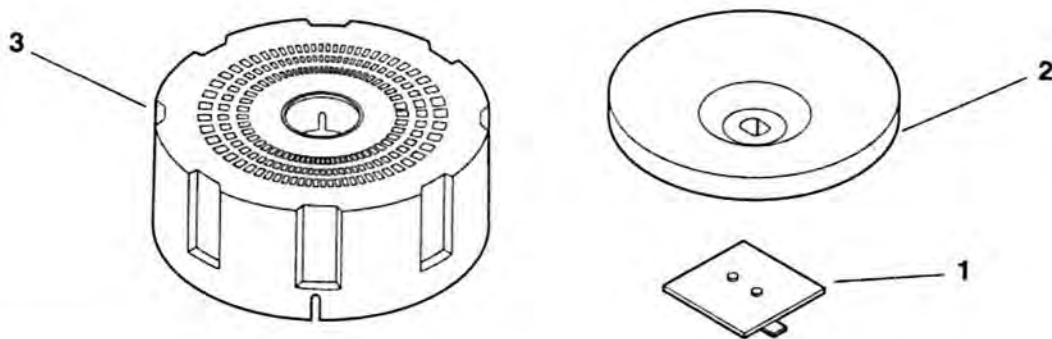
## Worm Gear & Fan



Ref. No.	Part No.	Descriptions
----------	----------	--------------

- |    |            |                 |
|----|------------|-----------------|
| 1. | GO2500AX1  | Fastening parts |
| 2. | GO2500AX16 | Fan w/hardware  |

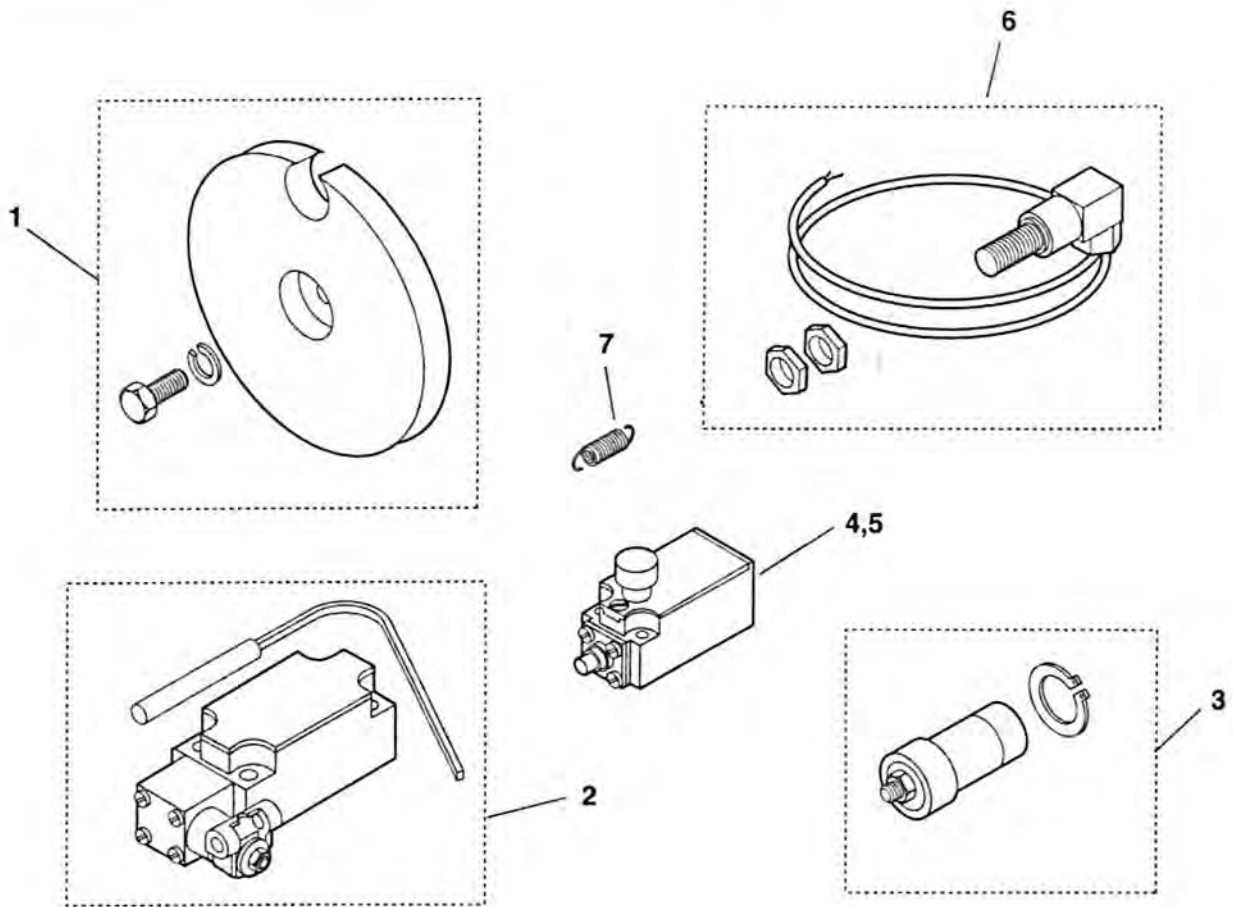
## Fan, Inspection Cover, Handwheel Spare Parts



Ref. No.	Part No.	Descriptions
----------	----------	--------------

- |    |          |                                  |
|----|----------|----------------------------------|
| 1. | GOA329W1 | Cover complete                   |
| 2. | MCO290D5 | Handwheel                        |
| 3. | GO346MT1 | Motor 2744, fan cowling, plastic |
|    | GO346NX1 | Motor 2744, fan cowling, metal   |
|    | GO346NX2 | Motor 3324, fan cowling, plastic |

## Impulse generator, Non-reversing device & Overspeed governor spare parts



Ref. No.	Part No.	Descriptions
1.	GO2500AX8	Dog & hardware
2.	GO177BM1	Non-reversing switch
3.	GO465BG2	Overspeed governor, 60 cycles
4.	GO177AG5	Switch, overspeed governor, Bernstein type 1-UV1W
5.	GO177BX4	Switch, overspeed governor, Bernstein type 1-A2W
6.	GO2500DE7	Impulse generator
7.	GO91E1*	Spring

\*This item requires special order

**BEARING**      **Part No.**      **Descriptions**



- 207Z41      Bearing, ball, inside, 5.51" O.D., 3.15" I.D.
- 207AR8      Bearing, ball, thrust (95ES motor), 4.33" O.D., 1.97" I.D.
- 207AR9      Bearing, ball, thrust (60ES motor), 3.93" O.D., 1.77" I.D.
- 209B19      Bearing, roller, drive shaft, 6.37" O.D., 3.50" I.D.
- 209A3      Bearing, needle, 1-1/8" O.D., 7/8" I.D.
- 209A6      Bearing, needle, 1-1/8" O.D., 7/8" I.D.
- 346YT1      Cover, bearing (for bearing 207Z41)

**BOLT**



- 65GA4      Bolt, 4-3/4" L (for cores)
- 84C2      Bolt, oversize fin., 5/8" dia., 2-1/4" L
- 58XA24      Bolt, base, 5/8" dia., 2-1/2" L

**BUSHING**



- 335E40      Bushing, drive shaft

**CHAIN**



- 332AW10      Chain, single, main drive, #100, 1-1/4" pitch, 140" L
- 332AW11      Chain, double, main drive, #100, 1-1/4" pitch, 140" L
- 332AW23      Chain, single, main drive, #100, 1-1/4" pitch, 137.5" L
- 332AW24      Chain, double, main drive, #100, 1-1/4" pitch, 137.5" L

**COIL**



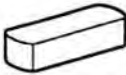




- 222EN1      Coil, brake

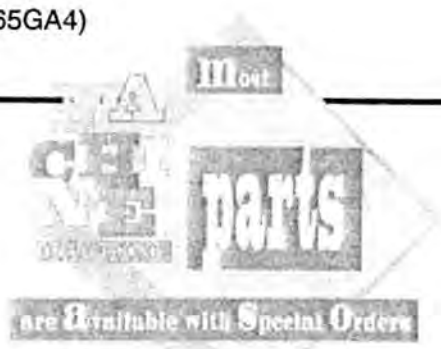
**GASKET**



- 376H10      Gasket, 4-3/4" I.D., 6-1/2" O.D., 1/16" thk
- 376DM1      Gasket, 13/16" I.D., 5/8" O.D., 1/16" thk
- 376JA8      Gasket, 6-7/16" I.D., 8-1/8" O.D., .006" thk

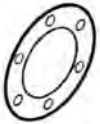
# Machines: 17VEC

KEY	Part No.	Descriptions
	192D24	Key, 1/2" sq, 4-1/8" L (drive shaft)
	192G38	Key, 3/8" sq, 5" L, (60ES motor)
	192G117	Key, 2-3/4" L (brake pulley to shaft)
LINING		
	A286AP2	Lever, brake, with lining & bushings
	416AJ1	Lining, brake, 2-3/4" x 5-1/2" x 1/4"
NUT		
	67H11	Nut, 5/8", elastic stop (gear to hub)
	67R1	Nut, 1/4" elastic stop (for governor)
	67T1	Nut, 1/4" elastic stop (for governor)
PIN		
	81AX28	Pin, spring, 3/8" dia., 2-1/2" L (for governor)
	81BM1	Pin, 1/2" dia., 1-3/8" L (for core)
	82R13	Pin, 7/8" dia., 3-1/16" L (brake lever to bolt 65GA4)
RIVET		
	145C1	Rivet, 3/16" dia., 5/8" L (for lining)
SEAL		
	33D3	Seal, oil, 3-1/2" I.D., 4-1/2" O.D., 7/16" thk
	33D15	Seal, oil, 1-1/4" I.D., 2-1/8" O.D., 3/8" thk
	33D16	Seal, oil, 2-3/8" I.D., 3-3/16" O.D., 7/16" thk
	33D17	Seal, oil, 2-1/16" I.D., 3-1/16" O.D., 3/8" thk



**SHAFT****Part No.****Descriptions****494HK2**

Shaft,drive,with gear hub, pin &amp; key

**SHIM****255CK5**

Shim, 3-3/8" I.D., 4" O.D., .008" thk, brass

**255HB11**

Shim, 6-13/32" I.D., 8-1/8" O.D., .0075" thk

**255HB12**

Shim, 6-13/32" I.D., 8-1/8" O.D., .003" thk

**255HB20**

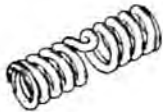
Shim, 4-3/8" I.D., 5-3/4" O.D., .003" thk

**255HB1**

Shim, 4-3/8" I.D., 5-3/4" O.D., .0075" thk

**255HB22**

Shim, 3-31/32" I.D., 5-3/8" O.D., .0075" thk

**SPRING****90CC1**

Spring, 1-1/2" O.D., 1-1/2" L, drive shaft

**90ZC3**

Spring, brake, 2" O.D., 5-1/8" L

**90XA12**

Spring, compression, 11/32" I.D., 1-9/16" L (for governor)

**SPROCKET****195FN2**

Sprocket, drive, 22 teeth, single, 1-1/4" pitch

**195FP2**

Sprocket, drive, 22 teeth, double, 1-1/4" pitch

**SWITCH****AAA6098NR1**

Switch, mechanical (for governor)

**6098ZA3**

Switch, mechanical

**7054C1**

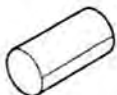
Switch, w/mounting assembly, micro

**177AR1**

Switch, micro

**99F1**

Stud, 1/4" dia., 2-9/16" L, bronze (for governor)

**TUBE****136R13**

Tube, magnet core, 3-1/8" I.D., 8-13/16" L

# Machines: 17VEC

## WASHER Part No. Descriptions



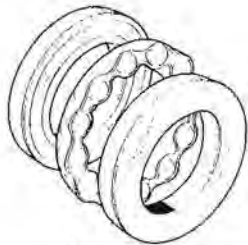
<b>127WB1</b>	Washer, 1-17/32" I.D., 3-1/4" O.D., 3/16" thk (for sprocket)
<b>128AL1</b>	Washer, 7/8" I.D., 2" O.D., 1/8" thk (for drive shaft)
<b>130AA1</b>	Washer, lock, keyed, 2-59/64" O.D., .058" thk (for 207AR8)
<b>130AA11</b>	Washer, lock, keyed, 2-47/64" O.D., .072" thk (for 207AR9)
<b>131BE1</b>	Washer, 1-3/8" I.D., 3-1/2" O.D., 1/4" thk w/notch 1/2" deep (drive shaft)
<b>131BG1</b>	Washer, keyed, 29/32" I.D., 2-1/8" O. D., 5/32" thk (drive shaft)
<b>133AH1</b>	Washer, spring seat (brake bolt)

## WEIGHT

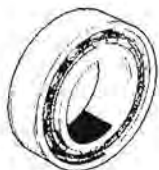


<b>344DA1</b>	Weight, brass (for governor), .25 I.D., .744 O.D., .550 thk
---------------	---





127470



207W12



209B5



207AR



A6800AN

Part No.	O.D.	I.D.	Descriptions
----------	------	------	--------------

**1/2SWT Machines**

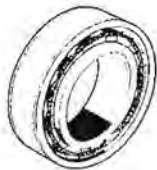
127470	2.88"	1.50"	Ball bearing, thrust, used on worm Shaft thrust for some <b>1/2SWT &amp; 1SWT</b> machines, 1.12" long
2700AAN1	-	-	Kit, wormshaft thrust bearing, consisting of <b>6800DP20</b> , <b>CAA72A3</b> nut, <b>CAA462A1</b> spacer, (14) gaskets, & cotter pin, used on worm shaft thrust for some <b>1/2SWT</b> machines, supercedes p/n's 207W1 & 6800DP2

**1SWT (19BT, 6119) Machines (Post 1934)**

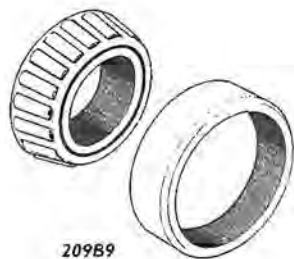
	3.54"	1.57"	Ball bearing, double row, notched type, angular contact, w/out shield, used on worm shaft thrust for some <b>1SWT</b> machines, 1.44" long (use CAA20000A2) notch the cover
209B5	3.67"	2.00"	Roller bearing, single row, tapered roller, used for <b>1SWT</b> machines, 1.19" long - for sheave shaft
207AR4	3.94"	1.77"	Angular contact duplex thrust bearing (purchased), back-to-back mounting, used on worm shaft thrust for some <b>1SWT</b> machines, 1.97" long
A6800AN1	4.13"	1.38"	Thrust bearing, assembly of <b>207AR4</b> bearing, <b>A465AT1</b> sleeve, & <b>6800DP12</b> ring, used on worm shaft thrust for some <b>1SWT</b> machines, 2.75" long (w/protruding tab for anti-rotation)
CAA20000A2	-	-	Kit, wormshaft thrust bearing, consisting of bearing, <b>CAA72A1</b> nut, (2) spacers, & (8) gaskets, used on worm shaft thrust for some <b>1SWT</b> machines, formerly p/n's 207W2 & 6800DP4 w/protruding tab for anti-rotation. (Notch the cover)



# Machines: Bearings



207W13



209B9



209D2

Part No.	O.D.	I.D.	Descriptions
----------	------	------	--------------

**2SWT (27BT, 6176) Machines (Post 1934)**

	4.33"	1.97"	Ball bearing, double row, notched type, angular contact, w/out shield, used on worm shaft thrust for some <b>2SWT &amp; 27BE</b> machines, 1.75" long
<b>207AR5</b>	4.72"	2.17"	Angular contact duplex thrust bearing (purchased), back-to-back mounting, used on worm shaft thrust for some <b>2SWT</b> machines 2.28" long
<b>A6800AN2</b>	4.88"	1.56"	Thrust bearing, assembly of <b>207AR5</b> bearing, <b>465AV1</b> sleeve, & <b>6800DP13</b> ring, used on worm shaft thrust for some <b>2SWT</b> machines, 3.25" long
<b>209B9</b>	5.38"	2.75"	Roller bearing, single row, tapered roller, used for <b>O</b> escalators & <b>2SWT</b> machines, 1.63" long . For sheave shaft.
<b>209D2</b>	6.63"	3.25"	Roller bearing, doublerow, tapered rollers, w/out spacer, used for <b>2SWT</b> machines, 4.00" long . For sheave shaft.
<b>CAA20000A3</b>	-	-	Kit, wormshaft thrust bearing, consisting of bearing, <b>CAA465B3</b> sleeve, <b>6800DP16</b> , nut, cotter pin, (2) spacers, & (8) gaskets, used on worm shaft thrust for some <b>2SWT &amp; 27BE</b> machines, substitute for p/n's 207W3 & 6800DP6
<b>186237</b>	-	-	Kit, thrust bearing, consisting of <b>A346FJ1</b> cover, (7) gaskets, <b>185520</b> adapter ring, & <b>185521</b> steel bushing, replaces Otis type bearings, used on worm shaft thrust for early <b>2SWT</b> machines

\* Special order - contact OSC



207AR6

Part No.	O.D.	I.D.	Descriptions
----------	------	------	--------------

**3SWT Machines**

CAA20000A4	-	-	Kit, wormshaft thrust bearing, consisting of <b>6800DP18</b> , <b>CAA72A2</b> Nut, <b>CAA462A4</b> spacer, cotter pin, & (7) gaskets, used on worm shaft thrust for some <b>3SWT</b> machines, formerly p/n's 207W4 & 6800DP8
------------	---	---	---

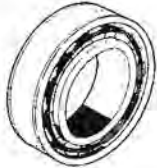


A6800AN3

**4SWT (38BT) Machines**

207AR6	5.51"	2.56"	Angular contact duplex thrust bearing (purchased), back-to-back mounting, used on worm shaft thrust for some <b>4SWT</b> machines, 2.60" long
--------	-------	-------	---

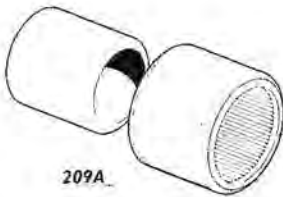
A6800AN3	-	-	Thrust bearing, assembly of <b>207AR6</b> bearing & <b>465AW1</b> sleeve, used on worm shaft thrust for some <b>4SWT</b> machines
----------	---	---	---



207W6

**9AD & 9AT Machines**

207W6	2.05"	0.79"	Ball bearing, double row, notched type, angular contact, w/out shield, selected for quiet operation, used on worm shaft for <b>9AD &amp; 9AT</b> machines, 0.88" long
-------	-------	-------	---



209A

**14AT, 14AX, 14AY, 14VEC Machines**

209A10	0.88"	0.69"	Needle roller bearing, full complement open end w/out inner race, used on <b>14VEC</b> machine for <b>RB-C &amp; J</b> escalators, 0.50" long
--------	-------	-------	---

209A2	1.00"	0.75"	Needle roller bearing, full complement open end w/out inner race, w/ oil hole, used on <b>14VEC</b> machine for <b>RB-C &amp; J</b> escalators, 0.75" long
-------	-------	-------	--



207W9

207W9	3.15"	1.38"	Ball bearing, double row, thrust, notched type, angular contact, w/ single shield, selected for quiet operation, used on worm shaft thrust for some <b>14</b> machines, 1.50" long
-------	-------	-------	--

# Machines: Bearings



207AR7



209W3



207AF6  
207Z\_  
MC0207A3



M02000F21

Part No.	O.D.	I.D.	Descriptions
----------	------	------	--------------

### *14AT, 14AX, 14AY, 14VEC Machines*

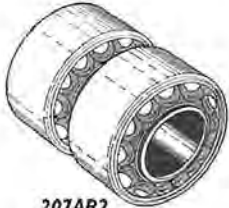
<b>207AR7</b>	3.15"	1.38"	Angular contact duplex thrust bearing (purchased), back-to-back mounting, used for <b>14AX &amp; AY</b> machines & for <b>14AT</b> machines w/ <b>60ES</b> motor, 1.65" long
<b>209W3</b>	3.75"	1.63"	Roller bearing, tapered roller, used for <b>14AX &amp; 14AY</b> machines & for <b>14AT</b> machines w/ <b>49ES &amp; 60ES</b> motors, 1.22" long
<b>207AF6</b>	3.94"	2.17"	Ball bearing, single row, radial, w/ single shield, used for <b>14AT</b> machines w/ <b>49ES &amp; 60ES</b> motors & for <b>14AX</b> machines, 0.83" long
<b>207Z52</b>	4.33"	1.97"	Ball bearing, single row, radial deep groove, w/ single shield, used for <b>14AT</b> machines w/ <b>49ES &amp; 60ES</b> motors & for <b>14AX &amp; AY</b> machines, 1.06" long
<b>207Z60</b>	5.12"	2.95"	Ball bearing, single row, radial deep groove, w/ double shield, used on <b>14VEC</b> machine for <b>RB-C &amp; J</b> escalators, 0.98" long

### *15ATL Machines*

<b>MC0207A3</b>	90.00 mm	50.00 mm	Ball bearing, used on motor end for <b>15ATL</b> machines, 20.00 mm long
<b>M02000F21</b>	-	-	Ball bearing, w/ ring, used for <b>15ATL</b> machines
<b>M0A2000F3</b>	-	-	Kit, bearing, consisting of bolt, seals, & gaskets, used for <b>15ATL</b> machines, formerly p/n M02000F3



207AA2



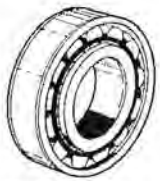
207AR2



207Z\_



209B20



G02500AX4  
G02500AX5



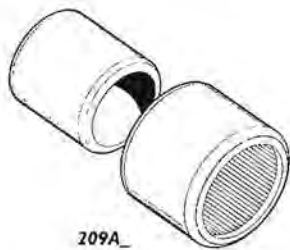
G02500AX24

Part No.	O.D.	I.D.	Descriptions
----------	------	------	--------------

**16VE, 16VEG, & 16VEC-AH Machines**

207AA2	2.83"	1.38"	Ball bearing, double row, deep groove angular contact, w/out shield, selected for quiet operation, used on <b>16VE &amp; VEG</b> machines for <b>R &amp; RB</b> escalators, 1.06" long
207AR2	2.83"	1.38"	Angular contact duplex thrust bearing (purchased), face-to-face mounting, used on motor bearing frame for <b>16VE &amp; 16VEG</b> machines, 1.34" long
207Z24	3.54"	1.97"	W/ single shield, used on worm shaft for <b>16VE &amp; VEG</b> machines & on tension device sprocket assembly for <b>RB-C</b> escalators & escalaires®, 0.79" long
207Z40	4.92"	2.76"	Ball bearing, single row, radial deep groove, w/ double shield, used on <b>16VE &amp; VEG</b> machines for <b>R &amp; RB</b> escalators, 0.94" long
209B20	6.63"	3.63"	Roller bearing, single row, tapered roller, used on <b>16VE &amp; 16VEG</b> machines for <b>R &amp; RB</b> escalators, 1.63" long
G02500AX4	-	-	Roller bearing, complete assembly, used on worm shaft for <b>16VEC-AH</b> machines
G02500AX17	-	-	Bearing, complete assembly, used on worm shaft for <b>16VEC-AH</b> machines, formerly p/n <b>G02500AX2</b>
G02500AX24	-	-	Bearing, complete assembly, used on worm shaft for <b>16VEC-AH</b> machines
G02500AX5	-	-	Bearing, complete assembly, used on worm wheel shaft for <b>16VEC-AH</b> machines

# Machines: Bearings



209A\_



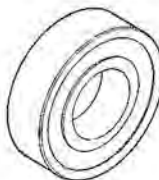
207Z83  
207Z84



209B38



207AR8

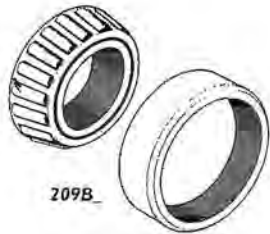


207Z59  
207Z74

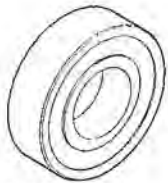
Part No.	O.D.	I.D.	Descriptions
----------	------	------	--------------

**17CT & 17VEC Machines**

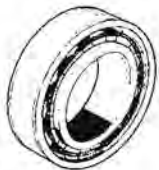
<b>209A6</b>	1.13"	0.88"	Needle roller bearing, full complement open end w/out inner race, w/ oil hole, used on <b>17VEC</b> machine for <b>RB-C &amp; J</b> escalators, 0.50" long
<b>209A3</b>	1.13"	0.88"	Needle roller bearing, full complement open end w/out inner race, w/ oil hole, used on <b>17VEC</b> machine for <b>RB-C &amp; J</b> escalators, 1.00" long
<b>207Z83</b>	3.54"	1.57"	Ball bearing, single row, radial deep groove, w/ double seal, used on motor for <b>4F-7575AP &amp; 17CT</b> machines, formerly p/n's 4F-7575AP/ 6308 & 6333CK-LS/63082RS, 0.91" long
<b>209B38</b>	4.13"	1.97"	Roller bearing, single row, tapered roller, used on worm & gear for <b>17CT</b> machines, 1.46" long
<b>207Z84</b>	4.33"	1.97"	Ball bearing, single row, radial deep groove, w/ double seal, used on motor for <b>17CT</b> machines, formerly p/n 6333CK-LS/63102RS 1.06" long
<b>207AR8</b>	4.33"	1.97"	Angular contact duplex thrust bearing (Purchased), face-to-face mounting, used on <b>17VEC</b> machine for <b>R, RB, RB-C, &amp; J</b> escalators, 2.13" long
<b>207Z59</b>	4.72"	2.17"	Ball bearing, single row, radial deep groove, w/ double shield, used for <b>115GB</b> motor generator sets & on motor for <b>17CT</b> machines 1.14" long
<b>207Z74</b>	4.92"	2.76"	Ball bearing, single row, radial deep groove, w/ double shield, used on deflector sheave assembly for <b>17CT</b> machines, 0.94" long



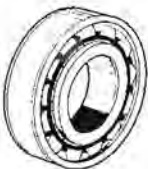
209B



207Z



TAA207B2



TAA 209A2

Part No.	O.D.	I.D.	Descriptions
----------	------	------	--------------

**17CT & 17VEC Machines**

209B37	5.00"	2.00"	Roller bearing, single row, tapered roller, used on sheave shaft for <b>17CT</b> machines, 2.00" long
207Z41	5.51"	3.15"	Ball bearing, single row, radial deep groove, w/ double shield, used on <b>17VEC</b> machine for <b>R, RB, RB-C, &amp; J</b> escalators, 1.02" long
209B36	7.50"	4.00"	Roller bearing, single row, tapered roller, used on sheave shaft for <b>17CT</b> , 2.25" long

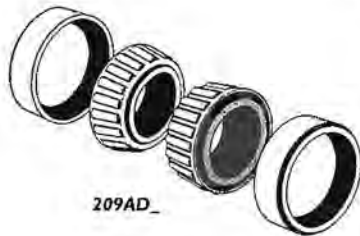
**18ATF Machines**

207Z54	3.54"	1.97"	Ball bearing, single row, radial deep groove, w/ double shield, used for <b>18ATF</b> geared machines, formerly p/n's T0207C3 & T0207C5, 0.79" long
TAA207B2	120.00 mm	65.00 mm	Ball bearing, double row, used for <b>18ATF</b> geared machines, 38.10 mm long
TAA209A2	180.00 mm	100.00 mm	Cylindrical roller bearing, used for <b>18ATF</b> geared machines, 46.00 mm long

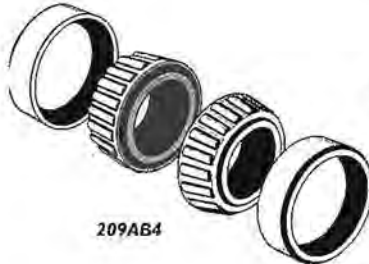
# Machines: Bearings



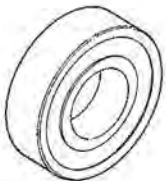
207Z56



209AD



209AB4



207Z76

Part No.	O.D.	I.D.	Descriptions
----------	------	------	--------------

**22CE & 22CT Machines**

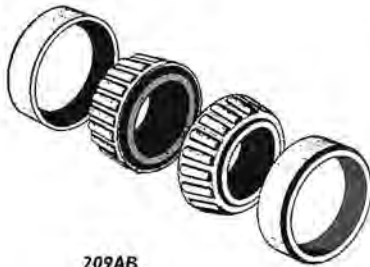
207Z56	4.72"	2.17"	Ball bearing, single row, radial deep groove, w/out shield, used on worm & gear for <b>22CT</b> machines, 1.14" long
209AD2	4.94"	3.28"	Roller bearing, double row, tapered roller, used on gear case side of inboard drive sheave <b>22CT</b> machines, 2.19" long
209AB4	5.38"	2.81"	Roller bearing, double row, tapered roller, used on worm & gear for <b>22CT</b> machines, 3.25" long
209AD1	6.00"	3.75"	Roller bearing, double row, tapered roller, used on 'A' stand side of inboard drive sheave <b>22CT</b> machines, 3.25" long
207Z76	6.30"	3.54"	Ball bearing, single row, radial deep groove, w/ single shield, used on worm & gear for <b>22CT</b> machines, formerly p/n BRG ND77518, 1.18" long
209B30	6.38"	3.50"	Roller bearing, single row, tapered roller, used on sheave shaft for <b>22CE &amp; 22CT</b> machines, 2.13" long
209B29	8.13"	4.50"	Roller bearing, single row, tapered roller, used on sheave shaft for <b>22CE &amp; 22CT</b> machines, 2.63" long

**27BE Machines**

(Note: same as **2SWT** machines, see **2SWT** section)



209B



209AB



209AD



207Z50



207AR11

Part No.	O.D.	I.D.	Descriptions
----------	------	------	--------------

**29CT Machines**

209AB2	5.75"	2.75"	Roller bearing, double row, tapered roller, used on worm & gear for <b>29CT</b> machines, 3.25" long
--------	-------	-------	--

209AD4	6.00"	3.75"	Roller bearing, double row, tapered roller, used on gear case side of inboard drive sheave <b>29CT</b> machines, 3.13" long
--------	-------	-------	---

209AB3	6.75"	3.50"	Roller bearing, double row, tapered roller, used on worm & gear for <b>29CT</b> machines, 3.75" long
--------	-------	-------	--

209B15	7.00"	4.50"	Roller bearing, single row, tapered roller, used on deflector sheave assembly for <b>29CT</b> machines, 1.63" long
--------	-------	-------	--

209AD3	7.00"	4.50"	Roller bearing, double row, tapered roller, used on 'A' stand side of inboard drive sheave <b>29CT</b> machines, 3.63" long
--------	-------	-------	---

209B35	7.25"	3.88"	Roller bearing, single row, tapered roller, used on overhung drive sheave for <b>29CT</b> machines, 2.25" long
--------	-------	-------	--

2700CA2	-	-	Kit, bearing, used on worm & gear for <b>29CT</b> machines
---------	---	---	--

**38BT Machines**

209B12	5.91"	3.35"	Roller bearing, single row, tapered roller, used for <b>38BT</b> machines, 1.75" long
--------	-------	-------	---

207Z50	7.09"	3.35"	Ball bearing, single row, radial deep groove, w/out shield, used on worm shaft for <b>38BT</b> machines, 1.61" long
--------	-------	-------	---

207AR11	7.09"	3.35"	Angular contact duplex thrust bearing (purchased), back-to-back mounting, used for <b>38BT</b> machines, 3.23" long
---------	-------	-------	---



# Machines: Bearings



209G2



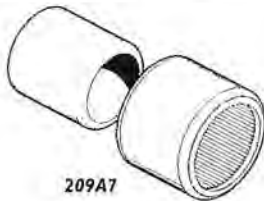
209AM1  
209B21



209P1



L02000FA343  
L05000E431



209A7



207Z73

Part No.	O.D.	I.D.	Descriptions
----------	------	------	--------------

### 43 BT Machines

209G2	9.84"	5.51"	Spherical roller bearing, cylindrical bore, used on 'A' stand side of <b>43BT</b> machines 2.68" long
-------	-------	-------	---

### 131HT Machines

209AM1	1.85"	0.67"	Roller bearing, single row, tapered roller, straight bore, used for <b>6104AY</b> selectors & commutator end of <b>131HT</b> machines, .60" lo
--------	-------	-------	--

209B21	4.94"	3.28"	Roller bearing, single row, tapered roller, used on sheave end of <b>131HT</b> machines, 1.00" long
--------	-------	-------	---

209P1	10.63"	5.91"	Cylindrical roller bearing, w/ (2) integral flanges on outer race & integral flange on inner race, used for <b>131HT</b> machines, 1.77" long
-------	--------	-------	---

L02000FA343	10.63"	5.91"	Kit, roller bearing, consisting of <b>G0209D1</b> bearing & (2) <b>255CG1</b> shims, used for <b>131HT</b> machines, 1.77" long
-------------	--------	-------	---

### 139HT Machines

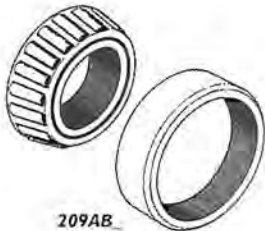
209A7	1.50"	1.25"	Needle roller bearing, full complement open end w/out inner race, w/ oil hole, used on brake lever for <b>139HT</b> machines, 1.00" long
-------	-------	-------	--

207Z73	5.51"	3.15"	Ball bearing, single row, radial deep groove, w/ single seal, used for <b>139HT</b> machine armatures, 1.02" long
--------	-------	-------	---

L05000E431	9.84"	5.51"	Kit, bearing, consisting of <b>209G14</b> bearing & (2) <b>376T16</b> gaskets, used for UK <b>139HT</b> machines, 2.67" long
------------	-------	-------	--



209B



209AB



209AD



207Z50

Part No.	O.D.	I.D.	Descriptions
----------	------	------	--------------

**155HT Machines**

212W3	1.44"	0.75"	Spherical bearing, used on <b>6022F</b> internal brake for <b>155HT</b> machines, 0.75" long
209T2	5.51"	3.15"	1 roller bearing, used on secondary sheave for <b>155HT</b> machines, 1.02" long
209G9	6.69"	3.74"	Spherical roller bearing, cylindrical bore, used on armature shaft for <b>155HT</b> machines, 1.69" long
209B27	7.50"	4.50"	Roller bearing, single row, tapered roller, used on secondary sheave for <b>155HT</b> machines, 1.88" long
209G8	8.46"	4.72"	Spherical roller bearing, cylindrical bore, used on armature shaft for <b>155HT</b> machines, 2.99" long

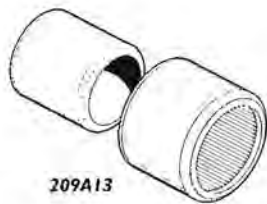
**219HT Machines**

207AF7	1.69"	3.15"	Cylindrical roller bearing, w/ (2) integral flanges on outer race & integral flange on inner race, used on deflector sheave (SWT) for <b>219HT</b> machines, formerly p/n BRG-ND1316, 1.54" long
209G6	9.06"	5.12"	Spherical roller bearing, cylindrical bore, used on commutator end of <b>219HT</b> machines, 2.52" long
209AE1	9.94"	6.19"	Roller bearing assembly, used on secondary sheave (DWT) for <b>219HT</b> machines, 10.75" long
209G7	12.60"	7.09"	Spherical roller bearing, cylindrical bore, used on sheave end of <b>219HT</b> machines, 3.39" long

# Machines: Bearings



2700CAR



209A13



209B25



209G12



2700CBA

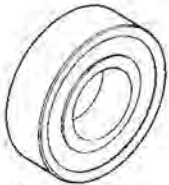
Part No.	O.D.	I.D.	Descriptions
----------	------	------	--------------

### 219HT Machines

AAA20200Q100	-	-	Kit, bearing, consisting of <b>209G6</b> bearing & <b>488B6</b> wick, used on commutator end of <b>219HT</b> machines, substitute for p/n LO2000FA497
AAA20200Q101	-	-	Kit, bearing, consisting of <b>209G7</b> bearing & <b>488B7</b> wick, used on sheave end of <b>219HT</b> machines, substitute for p/n L02000FA498
7050R500	-	-	Kit, bearing, consisting of (2) bearings, (2) <b>33D24</b> seals, & (2) <b>376J56</b> gaskets, Used on secondary sheave for <b>219HT</b> machines

### 269HT Machines

209A13	1.50"	1.00"	Needle roller bearing, full complement open end w/ outer race only, w/ oil hole, used on brake magnet for <b>269HT</b> machines, 1.01" long
209G13	11.42"	6.30"	Spherical roller bearing, cylindrical bore, used on commutator end of <b>269HT</b> machines, 3.15" long
209B25	12.63"	7.38"	Roller bearing, single row, tapered roller, used on secondary sheave for <b>269HT</b> machines, 3.50" long
209G12	15.75"	7.48"	Spherical roller bearing, cylindrical bore, used on sheave end of <b>269HT</b> machines, 5.20" long
2700CBA1	-	-	Kit, bearing, consisting of <b>209G13</b> bearing & <b>488B21</b> wick, used on commutator end of <b>269HT</b> machines
2700CBA2	-	-	Kit, bearing, consisting of <b>209G12</b> bearing & <b>488B22</b> wick, used on sheave end of <b>269HT</b> machines



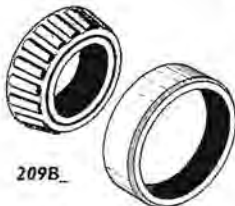
207Z90



207AR9



209D1



209B19



207Z42



209G14

Part No.	O.D.	I.D.	Descriptions
----------	------	------	--------------

**315DT Machines**

207Z90	5.12"	2.95"	Ball bearing, single row, radial deep groove, w/ double shield, used on deflector sheave for <b>315DT</b> machines, formerly p/n's A7575AG/ MRC215-SZZ & 7575AT/MRC215-SZZ, 0.98" long
--------	-------	-------	--

**Multiple Machines**

207AR9	3.94"	1.77"	Angular contact duplex thrust bearing, face-to-face mounting, used for <b>14VEC, 16VE, 16VEG, &amp; 17VEC</b> Machines, 0.98" long
--------	-------	-------	--

209D1	5.44"	2.63"	Roller bearing, double row, tapered rollers, w/out spacer, used for <b>1SWT &amp; 14AY</b> Machines, 3.19" long
-------	-------	-------	---

209B10	5.91"	3.00"	Roller bearing, single row, tapered roller, used for <b>17VEC, 14AX, &amp; 14AY</b> machines, for <b>14AT</b> machines w/ <b>49ES &amp; 60ES</b> motors, & on <b>14VEC</b> machine for <b>RB-C &amp; J</b> escalators, 1.75" long
--------	-------	-------	---

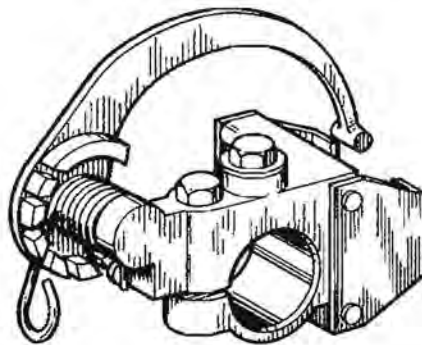
209B19	6.38"	3.50"	Roller bearing, single row, tapered roller, used on <b>16VE &amp; 16VEG</b> machines for <b>R &amp; RB</b> escalators & on <b>17VEC</b> machine for <b>RB-C &amp; J</b> escalators, 1.88" long
--------	-------	-------	--

207Z42	6.69"	3.15"	Ball bearing, single row, radial deep groove, w/out shield, used on worm shaft for <b>43BT &amp; 29CT</b> machines, 1.54" long
--------	-------	-------	--

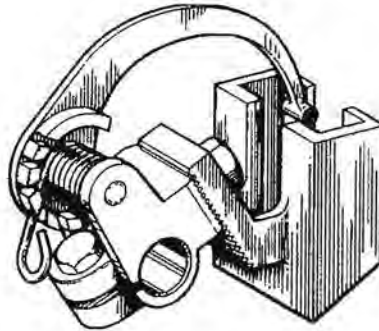
209G14	9.84"	5.51"	Spherical roller bearing, cylindrical bore, used on sheave end of armature for <b>156 MST HSVF &amp; 139HT</b> machines, 2.68" long
--------	-------	-------	---

209B34	10.00"	5.50"	Roller bearing, single row, tapered roller, used on secondary sheave for <b>219HT</b> machines & on overhung drive sheave end for <b>29CT</b> machines, formerly p/n 209B26, 2.63" long
--------	--------	-------	---

## Machines: Brush Holder & Kits

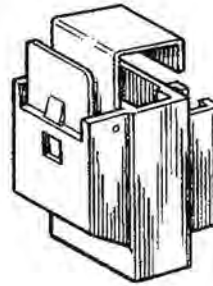
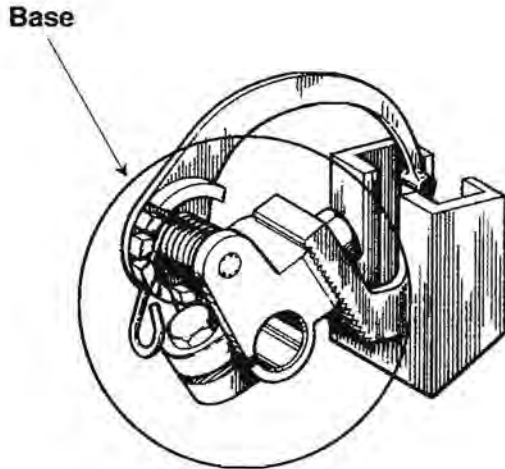


Part No.	Width	Length	Descriptions
6134A2	0.50"	1.50"	Holder, brush, 0.500" x 1.500", for 1, 2, 3, 5BMG; 71, 82GA; 77, 89, 98, 112G. For 7/8" brush stem
6134B4	0.50"	1.50"	Brush holder, 0.500" x 1.500", for 95, 115GB; 98, 112, 139G; 98, 112L. For 7/8" brush stem
6134B5	0.38"	1.50"	Brush holder, 0.375" x 1.500", for 131HT, 139HT, 1EA, 77G, 89F, 77L, 89L. For 7/8" brush stem
6134B6	0.38"	1.50"	Brush holder, 0.375" x 1.500", for 131HT, 139HT for 7/8" brush stem, insulated
6134B8	-	-	Brush holder assembly 131HT
6134C2	0.38"	1.50"	Brush holder, 0.375" x 1.500", for 55X, 63G, 65G. For 5/8" brush stem
6134D2	0.38"	1.50"	Brush holder, radial, used on 63GA generator



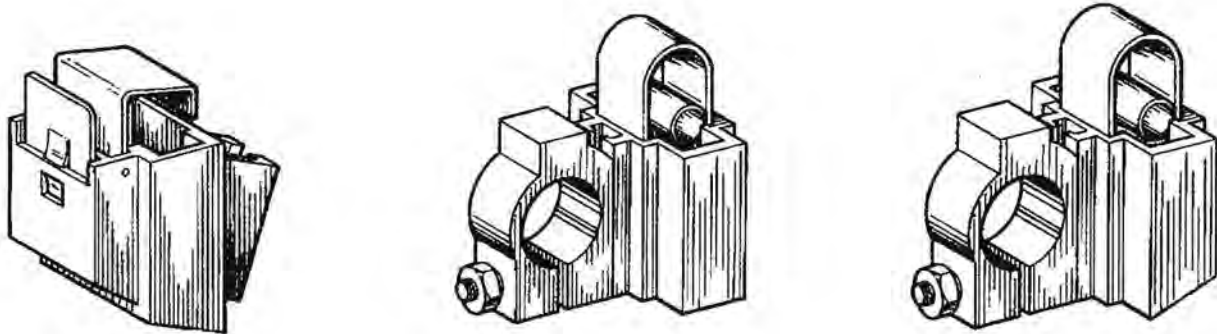
Part No.	Width	Length	Descriptions
6134G1	0.63"	1.50"	Brush holder, brush, 0.625" x 1.500", for <b>72 DWT</b> . For 5/8" brush stem
6134G2	0.63"	1.50"	Brush holder, 0.625" x 1.000", for <b>72 DWT</b> . For 5/8" brush stem
6134G3	0.63"	1.50"	Brush holder, 0.625" x 1.000", for <b>72 DWT</b> . For 5/8 brush stem, insulated
6134G4	0.38"	1.00"	Holder, 0.375" x 1.000", for <b>74D, DWT, 77A DWT</b> . For 5/8" brush stem
6134G5	0.38"	1.00"	Brush holder, 0.375" x 1.000", for <b>74D, DWT, 77A DWT</b> . For 5/8" brush stem, insulated
6134G6	0.38"	1.00"	Brush holder, 0.375" x 1.000", for <b>70 DWT</b> . For 5/8" brush stem
6134G7	0.38"	1.00"	Brush holder, 0.375" x 1.000", for <b>70 DWT</b> . For 5/8" brush stem, insulated
6134H1	0.38"	1.00"	Brush holder, 0.375" x 1.000", for <b>155HT, 219HT, 269HT</b> for 7/8" brush stem
6134H2	0.38"	1.00"	Brush holder, 0.375" x 1.000", for <b>155HT, 269HT, 219HT</b> for 7/8" brush stem, insulated
6134H3	0.50"	1.00"	Brush holder, 0.500" x 1.000", for <b>269HT, 339HT</b> for 7/8 brush stems
2700CAR18	-	-	Kit; arm, spring, washer & cotter pin for <b>6134H</b> brush holder

## Machines: Brush Holder & Kits



Part No.	Width	Length	Descriptions
306GM1	-	-	Base, brush holder
306GM2	-	-	Base, brush holder
306HM1	-	-	Base, brush holder
6134R1	0.38"	1.25"	Brush holder, for <b>6390AB</b> 1, 3, 4, radial
6134R2	-	-	Brush holder kit, consisting of (8) <b>6134R1</b> holders & (8) <b>240AD4</b> brushes
6390AA-IMP/260306	1.50"	1.00"	Brush holder assembly for <b>6390AA</b> , radial
6390AD-IMP/260302	1.50"	2.00"	Brush holder assembly for <b>6390AD</b> , radial
6390AD-IMP/264740	-	-	Kit of (8) <b>260302</b> brush holder assemblies, Imperial M-G Sets
A6390AF-IMP/260303	1.50"	2.00"	Brush holder for <b>6390AF</b> , radial
A6390AF-IMP/262420	-	-	Spring clip assembly, imperial M-G sets
6333CK-IMP/2719521	-	-	Brush holder spring, <b>17CT</b> machine motor, Imperial

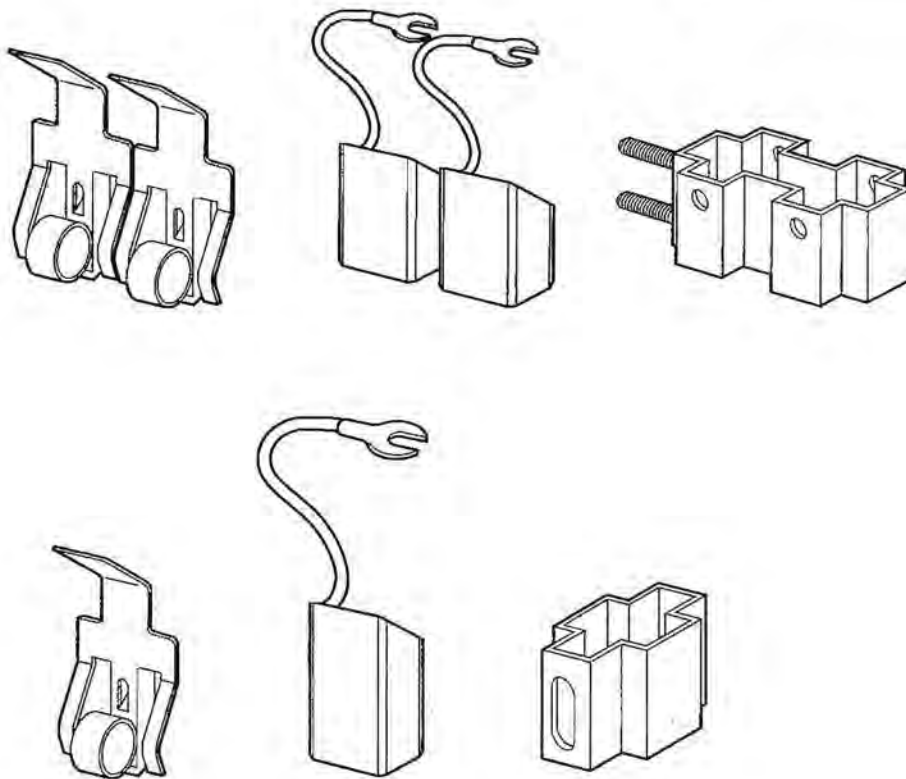
## Machines: Brush Holder & Kits



Part No.	Width	Length	Descriptions
6390AB-IMP/262432	1.25"	2.00"	Brush holder Assembly for <b>6390AB</b> , 20°
6390AD-IMP/262433	1.50"	2.00"	Brush holder for <b>6390AD</b> , 20°
A6390AF-IMP/262434	1.50"	2.00"	Brush holder for <b>6390AF</b> , 20°
6333CK-IMP/2699532	1.25"	2.00"	Brush holder & spring for <b>17CT</b> machine motor, Imperial
6333CK-IMP/HOLDER	-	-	Brush holder, <b>17CT</b> machine motor, Imperial
6333CM-IMP/2699533	-	-	Brush holder w/ spring
6134J1	0.50"	1.56"	Brush holder, for <b>71GA, 82GA, 95GB, 115GB</b> , for 7/8" brush stem
6134J2	40mm	40mm	Brush holder, used with 22mm brush stem
6134J3	0.50"	1.56"	Brush holder, for <b>63GA</b> w/ 7/8" brush stem
6134J4	0.38"	1.56"	Brush holder, or <b>131HT, 139HT</b> , for 7/8" brush stem
6134J7	0.38"	1.50"	Brush holder, for <b>131HT, 139HT</b> machines, for 22mm brush stem

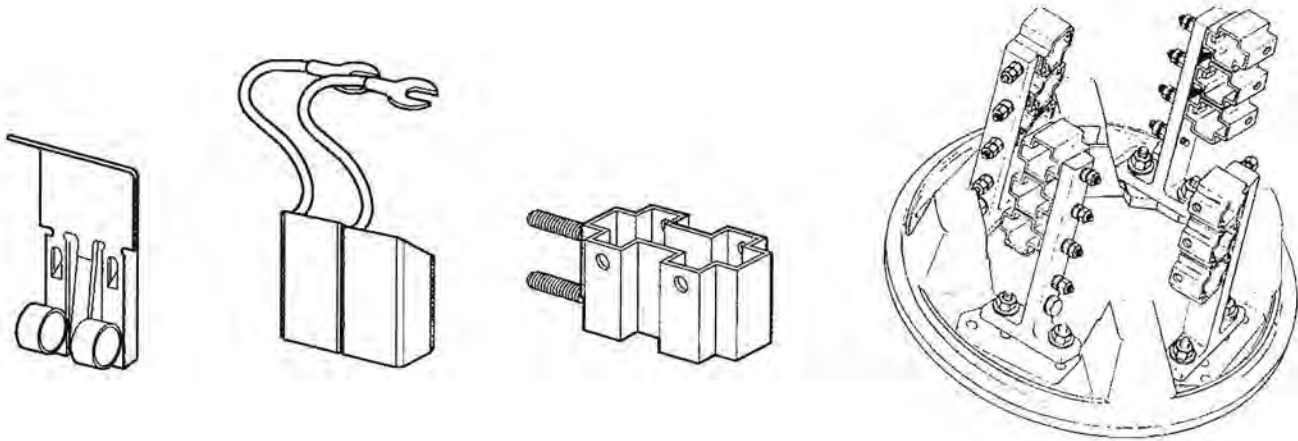


## Machines: Brush Holder & Kits



Part No.	Thickness	Width	Length	Descriptions
6390AA-LS/B69369	12.5mm	20mm	32mm	Brush holder, Leroy Somer <b>6390AA</b> M-G sets
6390AA-LS/B69997	12.5mm	20mm	32mm	Brush holder w/ spring (1), Leroy Somer <b>6390AA</b> M-G sets
6390AB-LS/B69370	12.5mm	32mm	32mm	Brush holder, Leroy Somer <b>6390AB</b> M-G sets
6390AB-LS/B69998	12.5mm	32mm	32mm	Brush holder w/ springs (2), Leroy Somer <b>6390AB</b> M-G sets
6390AD-LS/A70196	12.5mm	20mm	32mm	Brush holder w/ spring, Leroy Somer <b>6390AD</b> M-G sets

## Machines: Brush Holder & Kits



Part No.	Thickness	Width	Length	Descriptions
6333CK-LS/2300784	-	25mm	50mm	Brush holder spring, <b>17CT</b> machine <b>12-18 HP</b> motor, Leroy-Somer
6333CK-LS/HOLDER	-	25mm	50mm	Brush holder, 25°, <b>17CT</b> machine <b>12-18 HP</b> motor, Leroy-Somer
6333CM-LS/A69444	-	-	-	Brush holder spring, <b>17CT</b> machine <b>28-37 HP</b> motor, Leroy-Somer
6333CN/2300783	-	-	-	Brush holder spring, <b>17CT</b> machine <b>28-40 HP</b> motor, Leroy-Somer
6333CK-IMP/STEM	-	-	-	Brush holder stem, <b>17CT</b> machine motor, Imperial
6333CN/C69271	-	25mm	50mm	Brush holder, <b>17CT</b> machine <b>28-40 HP</b> motor, Leroy-Somer

# Appendix - Brakes

## Brake Type Part No. Description

### GENERAL PARTS

#### BRAKE LINING & RELATED

AAA416AZ13	LINING, BRAKE - 1.75" WIDE (ORDER PER FOOT) (NO HOLES)
AAA416AZ14	LINING, BRAKE - 2.50" WIDE (ORDER PER FOOT) (NO HOLES)
AAA416AZ15	LINING, BRAKE - 2.75" WIDE (ORDER PER FOOT) (NO HOLES)
AAA416AZ16	LINING, BRAKE - 4.00" WIDE (ORDER PER FOOT) (NO HOLES)
AAA416AZ17	LINING, BRAKE - 4.25" WIDE (ORDER PER FOOT) (NO HOLES)
AAA416AZ18	LINING, BRAKE - 4.50" WIDE (ORDER PER FOOT) (NO HOLES)
AAA416AZ19	LINING, BRAKE - 5.50" WIDE (ORDER PER FOOT) (NO HOLES)
AAA416AZ20	LINING, BRAKE - 6.00" WIDE (ORDER PER FOOT) (NO HOLES)
AAA416AZ21	LINING, BRAKE - 6.50" WIDE (ORDER PER FOOT) (NO HOLES)
AAA416AZ22	LINING, BRAKE - 8.50" WIDE (ORDER PER FOOT) (NO HOLES)
AAA416AZ23	LINING, BRAKE - 6.75" WIDE (ORDER PER FOOT) (NO HOLES)
AAA416AZ24	LINING, BRAKE - 8.00" WIDE (ORDER PER FOOT) (NO HOLES)
AAA416AZ25	LINING, BRAKE - 9.75" WIDE (ORDER PER FOOT) (NO HOLES)
AAA416AZ26	LINING, BRAKE - 10.00" WIDE (ORDER PER FOOT) (NO HOLES)
AAA416AZ27	LINING, BRAKE - 11.00" WIDE (ORDER PER FOOT) (NO HOLES)
AAA416AZ28	LINING, BRAKE - 12.00" WIDE (ORDER PER FOOT) (NO HOLES)
MT-114270	RIVET TOOL & COUNTERBORING SET
145C1	RIVET, 3/16" DIAM., 7/16" HEAD - 5/8" LONG
145C2	RIVET, 3/16" DIAM., 7/16" HEAD - 3/4" LONG
145C3	RIVET, 3/16" DIAM., 7/16" HEAD - 7/8" LONG
145C4	RIVET, 3/16" DIAM., 7/16" HEAD - 1" LONG
145C5	RIVET, 3/16" DIAM., 7/16" HEAD - 1-1/8" LONG
145C6	RIVET, 3/16" DIAM., 7/16" HEAD - 1-1/2" LONG
145C7	RIVET, 3/16" DIAM., 7/16" HEAD - 1-3/8" LONG
145C8	RIVET, 3/16" DIAM., 7/16" HEAD - 1-7/8" LONG
145C9	RIVET, 3/16" DIAM., 7/16" HEAD - 1/2" LONG



145C type rivet

### 1/2L, 1L, 2L BRAKES

(common parts only)

#### 1/2L

146406	PHASE SPLITTING COIL
106667	HOLDER, U-SHAPE BRONZE - 2 PER COIL
90XC10	SPRING - 1.5" ID X 5" LONG FOR BRAKE SHOES
112861	BRAKE COIL
105462	BRAKE COIL
105470	BRAKE COIL
416E1	LINING, BRAKE (2 PER BRAKE) 2-3/4" WIDE - IF DESIRED TO ORDER BY THE FOOT FOR MULTIPLE MACHINES - SEE IDENTITY: AAA416AZ15
104801	PISTON - ~1.5" DIAM, 1.12" TALL
807580	SCREW, 5/16" STUD W/SLOT IN END



146406



104801



807580

#### 1L

146406	PHASE SPLITTING COIL
105462	BRAKE COIL (not the only coil used. Contact unitec with Otis Sales number)
106667	HOLDER, U-SHAPE BRONZE - 2 PER COIL
90XC10	SPRING - 1.5" ID X 5" LONG FOR BRAKE SHOES
AAA416BF2	LINING, BRAKE (2 PER BRAKE) 4-1/4" WIDE - IF DESIRED TO ORDER BY THE FOOT FOR MULTIPLE MACHINES - SEE IDENTITY: AAA416AZ17
104801	PISTON - ~1.5" DIAM, 1.12" TALL
807580	SCREW, 5/16" STUD W/SLOT IN END



146406



104801



807580

#### 1-1/2L

90XC12	SPRING - 2" OD X 6-1/4" LONG FOR BRAKE SHOES
AAA416BF2	LINING, BRAKE (2 PER BRAKE) 2-3/4" WIDE - IF DESIRED TO ORDER BY THE FOOT FOR MULTIPLE MACHINES - SEE IDENTITY: AAA416AZ17

#### 2L

802909	BOLT, EYE - ~3-5/8" LONG
128369	LINING, BRAKE (2 PER BRAKE) 6-1/4" WIDE. ORDER AAA416AZ21 & CUT LOCAL TO SUIT OR PLACE SPECIAL ORDER WITH UNITEC.



802909

#### 2-1/2L

802909	BOLT, EYE - ~3-5/8" LONG
128369	LINING, BRAKE (2 PER BRAKE) 6-1/4" WIDE. ORDER AAA416AZ21 & CUT LOCAL TO SUIT OR PLACE SPECIAL ORDER WITH UNITEC.



802909

**Brake Type Part No. Description**

<b>7D BRAKE</b> (late design)		<b>IDENTIFIER: 8.2" LONG CORE TUBE</b>
335E70	BUSHING, OIL-LESS - 4 PER BRAKE FRAME 3/4" ID x 1" OD	
286AL2	LEVER, BRAKE - w/LINING	
	COIL, BRAKE MAGNET (120VOLT) - (note: this is the most common coil. Variations may be present in your machine.)	
222KA5	COIL, BRAKE MAGNET (120VOLT) - (note: this is the most common coil. Variations may be present in your machine.)	
416AJ1	LINING, BRAKE - 2-3/4" WIDE X 5-1/2" LONG	
81BM1	PIN, GUIDE - FOR INTERNAL PART OF BRAKE CORE	
82R1	PIN, LEVER TO EYE-BOLT - 5/8" DIAM x 2-1/4" LONG - SPECIALLY HARDENED (2 per brake)	
82A15	PIN, LEVER TO FRAME - 3/4" DIAM x 5-1/16" LONG (2 per brake)	
145C1	RIVET, LINING - 5/8" LONG	
90KC4	SPRING, MAIN LOWER - 1.5" OD x 3.63" LONG	
6931A1	SWITCH ASSEMBLY - FOR WRAP-AROUND ARM TYPE	
136R12	TUBE, MAGNET CORE - 8.2" LONG (FIBRE)	
133AF1	WASHER, SPRING SEAT - FOR MAIN LOWER SPRING	
GO2500D5	ARM, BRAKE CORE END (WRAP TYPE) (w/ shims) (see note 1) (NOTE 1: only typically needed if adding a brake switch)	
<b>7D BRAKE</b> (early design)		<b>IDENTIFIER: 8.6" LONG CORE TUBE</b>
299CK1	BAR, BRAKE LEVER EXTENSION	
335E39	BUSHING, OIL-LESS - 1 PER BRAKE ARM - 5/8" ID x 3/4" OD (ONLY USED ON BRAKES W/TWO PIECE LEVER & SHOE)	
222KA5	COIL, BRAKE MAGNET (120VOLT) - (note: most common coil, variations may be present in your machine.)	
A416R1	LINING, BRAKE - 2-3/4" x 3" - 4 NEEDED PER MACHINE - FOR PIVOTING TYPE SHOE	
416E1	LINING, BRAKE - 2-3/4" x 6.5" - FOR 1 PIECE BRAKE LEVER	
82R1	PIN, LEVER TO EYE-BOLT - 5/8" DIAM x 2-1/4" LONG - SPECIALLY HARDENED (2 per brake)	
82A15	PIN, LEVER TO FRAME - 3/4" DIAM x 5-1/16" LONG (2 per brake)	
145C1	RIVET, 3/16" DIAM, 7/16" HEAD - 5/8" LONG	
145C2	RIVET, 3/16" DIAM, 7/16" HEAD - 3/4" LONG	
90KC4	SPRING, MAIN LOWER - 1.5" OD x 3.63" LONG	
90XB2	SPRING, ADJUSTING (FOR SHOE) - 1" OD x 1.5" LONG	
6098AL1	SWITCH, BRAKE - ROD TYPE	
136R1	TUBE, MAGNET CORE - 8.6" LONG (FIBRE)	
133AF1	WASHER, SPRING SEAT - FOR MAIN LOWER SPRING	
<b>9D BRAKE</b> (late design)		<b>IDENTIFIER: 9.4" LONG CORE TUBE</b>
65GA4	BOLT, EYE - 5" LONG OVERALL w/ 1-1/8" HOLE	
335E68	BUSHING, OIL-LESS - 4 PER UPPER PIVOT HOLES IN BRAKE FRAME 7/8" ID x 1-1/8" OD	
222J14	COIL, BRAKE - (USED W/O DROP-HOLD CIRCUIT) 80+ OHMS	
222J11	COIL, BRAKE - (USED W DROP-HOLD CIRCUIT) 50+ OHMS	
353BB3	COVER (OUTER PLATE) - MAGNET CORE	
286AJ3	LEVER, BRAKE - w/LINING	
416AH3	LINING, BRAKE - 4.25" WIDE X 7.56" LONG	
81BM1	PIN - CENTERING GUIDE - FOR BRAKE MAGNET CORE	
82R3	PIN - EYE BOLT - 7/8" DIAM x 3-1/16" LONG - SPECIALLY HARDENED (2 per brake)	
82A16	PIN - BRAKE LEVER TO FRAME - 7/8" DIAM x 6-13/16" LONG (2 per brake)	
145C2	RIVET, 3/16" DIAM, 7/16" HEAD - 3/4" LONG	
255CK2	SHIM, BRAKE CORE - 4.5" OD x 3.6" ID, .008" THICK	
90ZC3	SPRING, 2" OD - 5-1/8" LONG	
90AD10	SPRING, 2" OD - 5-15/16" LONG	
6931A1	SWITCH ASSEMBLY - FOR WRAP-AROUND ARM TYPE	
136R11	TUBE, MAGNET CORE - 9.4" LONG (FIBRE)	
133AH1	WASHER, SPRING SEAT - FOR MAIN LOWER SPRING	

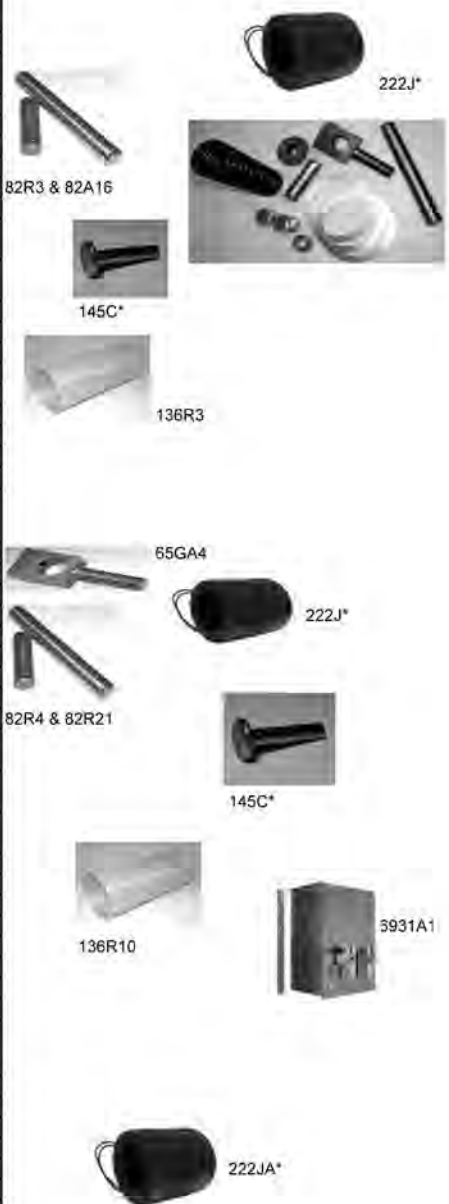


common parts same as early except for no 340AS2, no 335E43 & (4) 335E68.

# Appendix - Brakes

## Brake Type Part No. Description

Brake Type	Part No.	Description
<b>9D BRAKE</b> (early design)		<b>IDENTIFIER: 10.4" LONG CORE TUBE</b>
	299CK1	BAR, BRAKE LEVER EXTENSION
	335E43	BUSHING, OIL-LESS - 1 PER BRAKE SHOE - OD (ONLY USED ON BRAKES W/TWO PIECE LEVER & SHOE)
	222J14	COIL, BRAKE - (USED W/O DROP-HOLD CIRCUIT) 80+ OHMS
	222J11	COIL, BRAKE - (USED W DROP-HOLD CIRCUIT) 50+ OHMS
	340AS2	COLLAR, W/PIN & SET SCREW HOLE
	416T1	LINING, BRAKE - 4.25" WIDE x 3.62" LONG (2 PER SHOE)
	416F1	LINING, BRAKE - 4.25" WIDE x 8.56" LONG (1 PER SHOE)
	416AH3	LINING, BRAKE - 4.25" WIDE x 7.56" LONG (1 PER SHOE)
	82R3	PIN - EYE BOLT - 7/8" DIAM x 3-1/16" LONG - SPECIALLY HARDENED (2 per brake)
	82A16	PIN - BRAKE LEVER TO FRAME - 7/8" DIAM x 6-13/16" LONG (2 per brake)
	145C2	RIVET, 3/16" DIAM., 7/16" HEAD - 3/4" LONG
	145C3	RIVET, 3/16" DIAM., 7/16" HEAD - 7/8" LONG
	95AG2	ROD, SWITCH OPERATING - 7.25" OVERALL
	90ZC3	SPRING, 2" OD - 5-1/8" LONG
	90AD10	SPRING, 2" OD - 5-15/16" LONG
	90XB2	SPRING, ADJUSTING (FOR SHOE) - 1" OD x 1.5" LONG
	6098AL1	SWITCH, BRAKE - ROD TYPE
136R3	TUBE, MAGNET CORE - 10.4" LONG (FIBRE)	
133AH1	WASHER, SPRING SEAT - FOR MAIN LOWER SPRING	
<b>11D BRAKE</b> (late design)	65GA4	BOLT, EYE - 5" LONG OVERALL w/ 1-1/8" HOLE
	335E69	BUSHING, OIL-LESS - 4 PER BRAKE FRAME 1-1/4" ID x 1-9/16" OD
	222JA11	COIL, BRAKE - 70+ OHMS (AC/DC)
	222JA15	COIL, BRAKE - 20+ OHMS (43BT MACHINE APPL.)
	222JA16	COIL, BRAKE - 30+ OHMS (UMV CONTROL)
	353BB4	COVER (OUTER PLATE) - MAGNET CORE
	286AK3	LEVER, BRAKE - w/LINING
	416AH4	LINING, BRAKE - 5.5" WIDE X 8.93" LONG (1 PER LEVER)
	81BM1	PIN - CENTERING GUIDE - FOR BRAKE MAGNET CORE
	82R4	PIN - EYE BOLT - 7/8" DIAM x 3-7/16" LONG SPECIALLY -HARDENED (2 per brake)
	82R21	PIN - EYE BOLT - 7/8" DIAM x 3-1/16" LONG - SPECIALLY HARDENED (2 per brake - post 1970 applications)
	82A17	PIN - BRAKE LEVER TO FRAME - 1.25" DIAM x 8-1/4" LONG (2 per brake)
	145C4	RIVET, 3/16" DIAM., 7/16" HEAD - 3/4" LONG
	255CK1	SHIM, BRAKE CORE - 5.25" OD x 4.38" ID, .008" THICK
	90AD10	SPRING, 2" OD - 5-15/16" LONG
	90CD6	SPRING, 2" OD - 7-3/4" LONG
	6931A1	SWITCH ASSEMBLY - FOR WRAP-AROUND ARM TYPE
	136R10	TUBE, MAGNET CORE - 10.75" LONG (FIBRE)
133AH1	WASHER, SPRING SEAT - FOR MAIN LOWER SPRING	
<b>11D BRAKE</b> (early design)	299CK1	BAR, BRAKE LEVER EXTENSION
	222JA11	COIL, BRAKE - 70+ OHMS (AC/DC)
	222JA15	COIL, BRAKE - 20+ OHMS (43BT MACHINE APPL.)
	222JA16	COIL, BRAKE - 30+ OHMS (UMV CONTROL)
	340AS2	COLLAR, W/PIN & SET SCREW
	416G1	LINING, BRAKE - 5.5" WIDE X 9.93" LONG (1 PER LEVER)
	416W1	LINING, BRAKE - 5.5" WIDE x 4.25" LONG (2 PER SHOE)
	82R4	PIN - EYE BOLT - 7/8" DIAM x 3-7/16" LONG - SPECIALLY HARDENED (2 per brake)
	82A17	PIN - BRAKE LEVER TO FRAME - 1.25" DIAM x 8-1/4" LONG (2 per brake)
	145C2	RIVET, 3/16" DIAM., 7/16" HEAD - 3/4" LONG
	145C4	RIVET, 3/16" DIAM., 7/16" HEAD - 1" LONG
	95AG2	ROD, SWITCH OPERATING - 7.25" OVERALL
	90AD10	SPRING, 2" OD - 5-15/16" LONG
	90BD2	SPRING, 2" OD - 5-7/8" LONG (SLIGHTLY HEAVIER WIRE THAN AD10)
	90XB2	SPRING, ADJUSTING (FOR SHOE) - 1" OD x 1.5" LONG
	6098AL1	SWITCH, BRAKE - ROD TYPE
	136R4	TUBE, MAGNET CORE - 11-3/4" LONG (FIBRE)



**Brake Type Part No. Description**

<b>14D BRAKE</b>	
222JA17	COIL, BRAKE - 12+ OHMS
81BM1	PIN - CENTERING GUIDE - FOR BRAKE MAGNET CORE
79BE1	PIN, PIVOT, 1" DIAM. - UPPER LEVEL TO UPPER FRAME - (2 PER BRAKE)
79BE2	PIN, PIVOT, 1" DIAM. - CONNECTING LINK TO ARM & FRAME - (4 PER BRAKE)
79BE3	PIN, PIVOT, 1" DIAM. - BRAKE ARM TO LOWER BRAKE FRAME - (2 PER BRAKE)
145C4	RIVET, 3/16" DIAM., 7/16" HEAD - 1" LONG
255CK1	SHIM, BRAKE CORE - 5.25" OD x 4.38" ID, .008" THICK (20 PER MACHINE)
90JD6	SPRING, 3.5" OD x 6.75" LONG
136R10	TUBE, MAGNET CORE - 10.75" LONG (FIBRE)
128AG3	WASHER, PIVOT - 2.12" OD x 1.06" ID & 1/8" THICK (16 PER BRAKE)
133AV1	WASHER, SPRING SEAT
<b>6931A brake switch</b>	
6931A1	SWITCH ASSY. COMPLETE (W/2 SETS NC CONTACTS)
150P4	CONTACT, MOVABLE - SPRING TYPE - 4 PER ASSY
150C11	CONTACT SET, STATIONARY - 2 PER ASSY
179AY1	HOLDER, MOVABLE CONTACT
287BB1	LEVER, SWITCH
90BB11	SPRING, COMPRESSION - 2.5" LONG
<b>6098AL brake switch</b>	
6098AL1	SWITCH ASSY. COMPLETE
6151B4	BOX & CONTACT ASSY

Geared Machines ID Table

OTIS MACHINE NAME	LOWER GEARCASE CASTING NUMBER	UPPER GEARCASE COVER CASTING NUMBER	CENTERLINE OF WORMSHAFT TO CENTERLINE OF SHEAVE SHAFT	BEDPLATE TO CENTERLINE OF WORMSHAFT DIMENSION	BRAKE TYPES USED	REMARKS
9AD (1/8)	B330B	*****	4.25"	9.75"	INTEGRAL	DRUM MACHINE
9AT (1/8)	B330B	*****	4.25"	9.75"	INTEGRAL	TRACTION MACHINE
14AT (1/4A)	330AA	*****	6.9	11"	INTEGRAL	
14AX	330AR	*****	6.9	24.6"	INTEGRAL	
14AY	330AA	*****	6.9	24.6"	INTEGRAL	
15AT	MCO330D	*****	7.7"		INTEGRAL	COMES w or w/o FORCED VENTILATION
15ATL	MCOB330G	*****	7.7"		INTEGRAL	
1/2	763-MC	764-MC, 1136-MC	8.2"	13.2"	1/2L, 7D	
16BT	330AY	330AZ, BB	8.2"	13.2"	7D	
#1 IG (pre-1934)	758-MC	38-MC	9.75	14.1 (cast bedplate)	1L, 1-0	
#1 STR (pre-1934)	758-MC	38-MC	9.75	14.1 (cast bedplate)	1L, 1-0	
#1 SWT 19BT (after 1933)	330E	330F, 330G	9.75	15.7"-17" (steel bedplate)	9D, 11D	
#2 (to 1933)	83-MC, 783-MC	84-MC, 784-MC, 1152-MC	13.3"		1-1/2L, 2HS, 2HSL, 3-0	
#2 SWT (27BT)	330Z	330R, 330W	13.3"	16.5" - 17.2"	9D, 11D	
#3	M-6366, 837-MC	4-N-4, 836-MC	15.3"	32.2"	4-H, #3-AC	30", 34", 40" sheaves
#4	330-MC??, 881-MC	1428-MC	18.75"	19.3" (cast bedplate)	5H	
38BT	330AD	330AB	18.75"	20.5" (steel bedplate)	11D	34", 38" sheaves
#5	330CP	330CP	21.25"	39.12"	5H	Varying sheave diams used: 34", 38", 40", 44"
43BT	330CP	330CN	21.25"	22.50"	11D, 14D	(243,539,540, 541-SH) 34", 38", 40", 44" sheaves
17CT (Japan)	JO330AG, JX330EN, BLX330EN,	JX330EP	8.6"		INTEGRAL	
22CT (Liverpool)	330DN, DR	ALX330EP	8.6"		INTEGRAL	
29CT	330DT, EA	330DM, DP	10.8"		INTEGRAL	
215DT		330DS, DY	14.8"		INTEGRAL	Helical Geared Machine
306DT						Helical Geared Machine
315DT						Helical Geared Machine (upgrade done from early 306DT machines)

ESCALATORS	MACHINE HEIGHT RANGE	BRAKE TYPES USED	REMARKS
14VEC	37" - 40"	INTEGRAL	Chain driven
16VE	42-1/4" - 46-1/2"	INTEGRAL	Gear driven
16VEG	42-1/4" - 46-1/2"	INTEGRAL	Chain driven
16VEC	42-1/4" - 46-1/2"	INTEGRAL	RH = Reduced Height
16VEC-RH	41-1/2 - 45-5/8"	INTEGRAL	RH = Reduced Height
17VEC-RH		INTEGRAL	Chain driven
27BEC		INTEGRAL	CHAIN DRIVE
EC143		INTEGRAL	CHAIN/GEAR DRIVE
EC-H2		INTEGRAL	CHAIN DRIVE
EC-H3		INTEGRAL	CHAIN DRIVE

**GEARED MACHINES TO CONTACT UNITEC DIRECTLY ON:**  
 #7, 10AT, 157HX, 208HX, 22CE, 215EEC

# Appendix - Geared Machines Identification Table by Casting

## Geared Machines Identification by Casting

GEARED ELEVATOR MACHINES													
MACHINE NOMENCLATURE													
CASTING LOCATION	9AD (1/8)	14AT (1/4A)	14AX	14AY	15AT	15ATL	1/2	15BT	#1 IG (pre-1934)	#1 STR (pre-1934)	#1 SWT 19BT (after 1933)	#2 (to 1933)	#2 SWT(27BT)
LOWER GEARCASE	B330B		330AR		MCO330D		763-MC		758-MC		330E	83-MC, 783-MC	330Z
UPPER GEARCASE COVER		330AA					64-MC, 1136-MC	330AY	38-MC	758-MC	330F, 330G (1934-46) B330F (1949 & ON)	84-MC, 784-MC, 1152-MC	330R, 330W
(1936 and forward)													

GEARED ELEVATOR MACHINES										
MACHINE NOMENCLATURE										
CASTING LOCATION	#3	#4	#5	38BT	43BT	17CT (Japan)	17CT (Liver-pool)	22CT	29CT	
LOWER GEARCASE	M-6366, 837-MC	330-MC, 881-MC	330CP	330AD	330CP	JO330AG, JX330EN	BLX330EN	330DN, 330DR	330DT, 330EA	
UPPER GEARCASE COVER	4-N-4, 836-MC	1428-MC	330CN	330AB	330CN	JX330EP	ALX330EP	330DM, 330DP	330DS, 330DY	
Uses 11D or 14D Brakes										

ESCALATOR MACHINES										
MACHINE NOMENCLATURE										
CASTING LOCATION	14VEC	16VEC	16VE	17VE	17VEC-RH	27BEC				
330EB	330AV	330CV	C-RH	C	17VEC-RH	27BEC	330DD	330DD	330Z	



# Appendix - Encoders & Couplings

Machine Type	Part No.	Description
17CT	YX10260F1	FOR ACVF MACHINES IN THE SPEC 60 (MRQ) APPLICATION
18ATF	AAA633F3 ABA633L1	GEM, 311VF (HOLLOW SHAFT ENCODER) GEM, MVS
215DT 306DT 315DT	633B4 9708G3	ENCODER TACHOMETER
		USES 215BN1 COUPLING USES GO215W1 COUPLING
131HT	633B1 633B2 A633D1	1024 pulses per revolution 2500 pulses per revolution 10,000 pulses per revolution
139HT	633B1 633B2 A633D1	1024 pulses per revolution 2500 pulses per revolution 10,000 pulses per revolution
155HT	633B1 633B2 A633D1	1024 pulses per revolution 2500 pulses per revolution 10,000 pulses per revolution
219HT	633B1 633B2 A633D1	1024 pulses per revolution 2500 pulses per revolution 10,000 pulses per revolution
269HT	633B2 A633D1	1024 pulses per revolution 10,000 pulses per revolution
339HT	633B1 633B2	1024 pulses per revolution 2500 pulses per revolution
D25	AAA659C3 A633D1	10,000 pulses per revolution (HVS-HMR applications) 10,000 pulses per revolution
156MST	AAA659C3 A633D1	10,000 pulses per revolution (HVS-HMR applications) 10,000 pulses per revolution

**FLEXIBLE COUPLINGS:**

215BK1	
215BN1	Can now use ABA215BX2 as option
215BN2	
215BN3	Can now use 215BN7 as option
215BN7	156MST
215BN21	
ABA215BX2	GEM, 311VF
GO215W1	215DT

**ENCODER ADAPTER STUDS**

- 81DR1
- 81DR2
- 494JY1
- 494JY2
- 494JY3



81DR1



81DR2

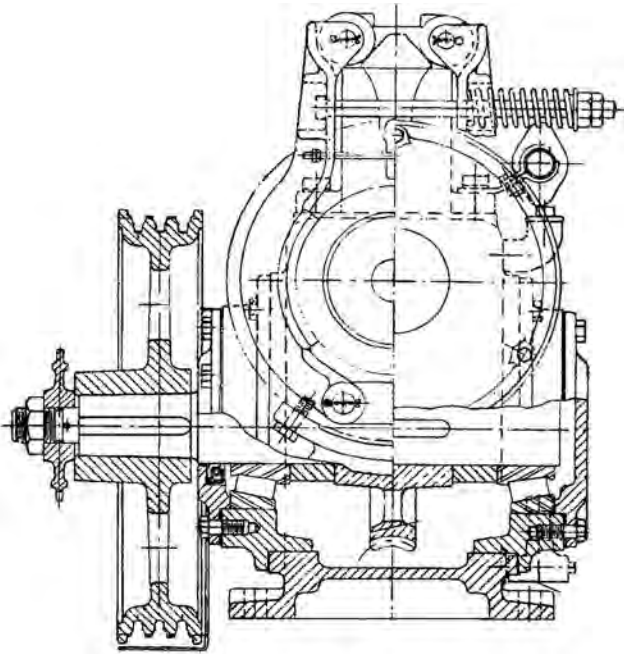


494JY1 or JY2

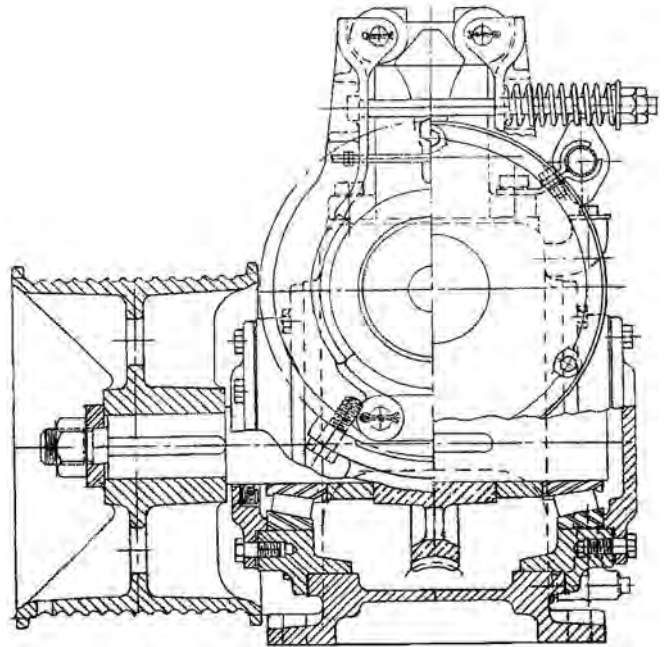


494JY3

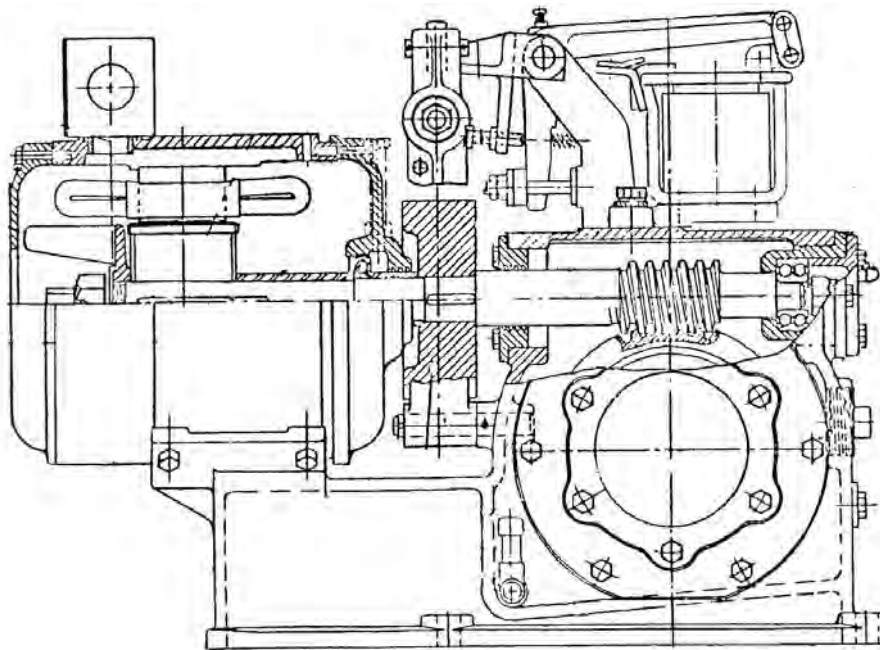
## Appendix - Geared Machine Illustrations



**9AT** (Overall height ~18-1/4")

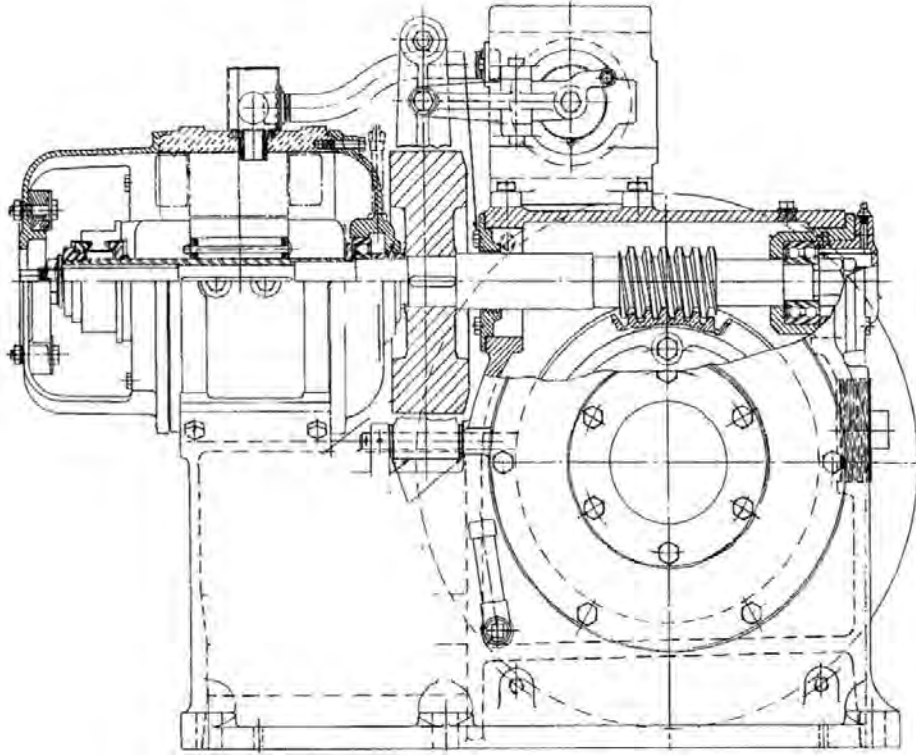


**9AD** (Overall height ~18-1/4")

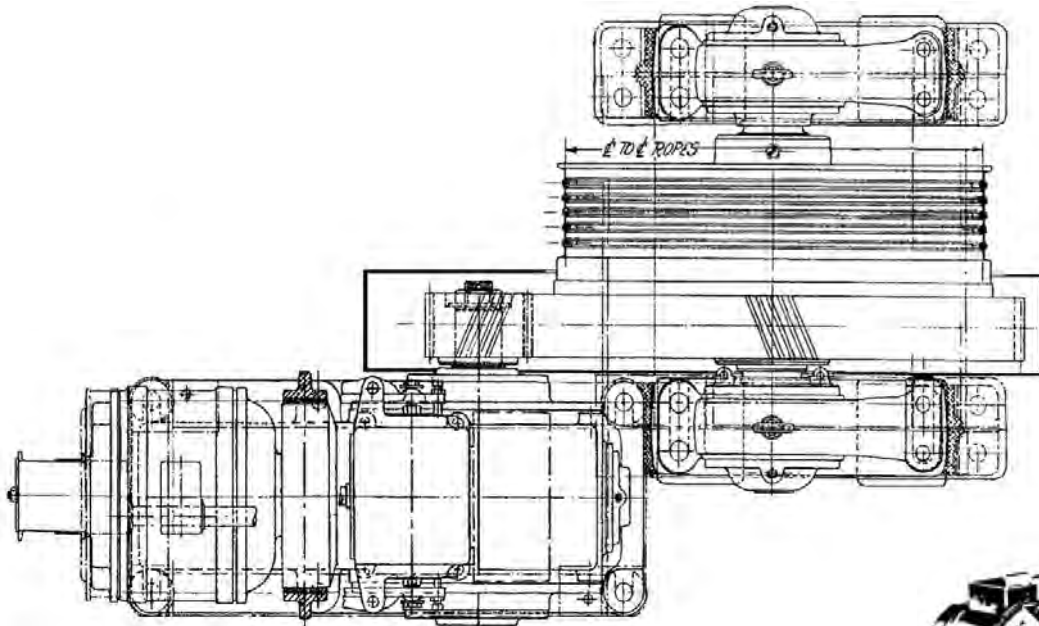


**9AD, AT** (Wormshaft line view)  
(bedplate length ~19-1/4")

# Appendix - Geared Machine Illustrations

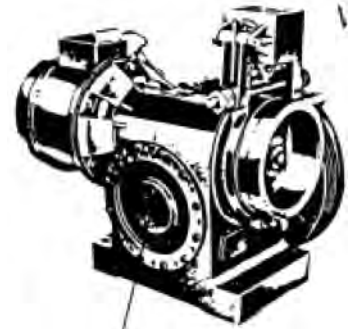


**14AT** (bedplate length: ~29-3/8")



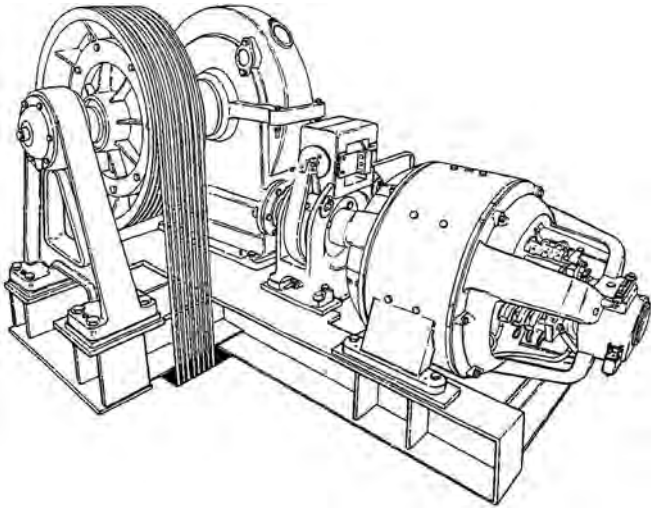
**14AX** (overall length: ~55" to 60") (shown)

**14AY** Similar except drum in place of traction sheave

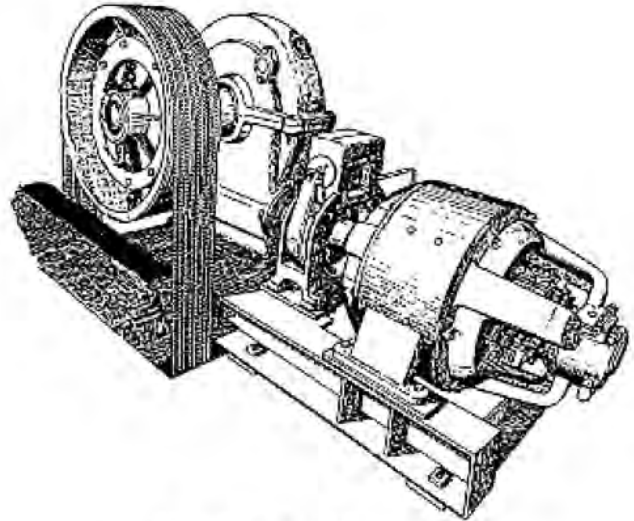


**15AT & 15ATL** from SPL: MCO9710A

## Appendix - Geared Machine Illustrations



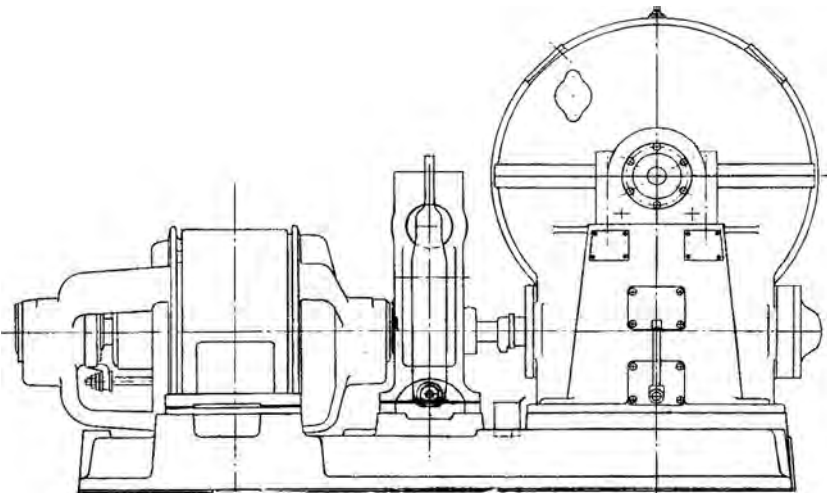
From OMM Machine w/Inboard Drive Sheave



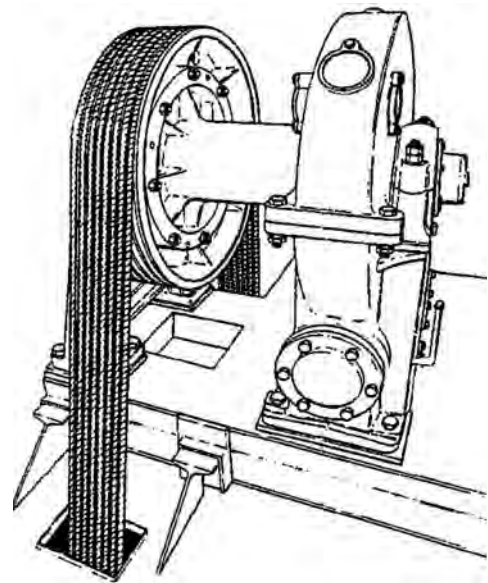
Machine with Overhung Drive Sheave  
From SPL 06-6119A

MACHINE TYPE	H
1/2 SWT (16BT)	8.2"
#1 SWT (19BT)	9.75"
#2 SWT (27BT)	13.3"
#3 SWT	15.3"
#4 SWT (38BT)	18.75"
#5 SWT (43BT)	21.25"

Where 'H' is CL worm to CL Sheave shaft

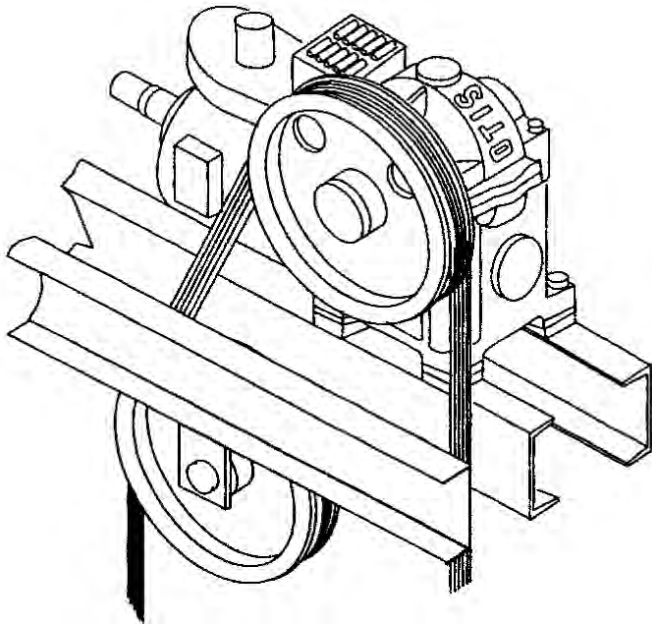


Typical Foot Mounted Otis  
Geared Machine

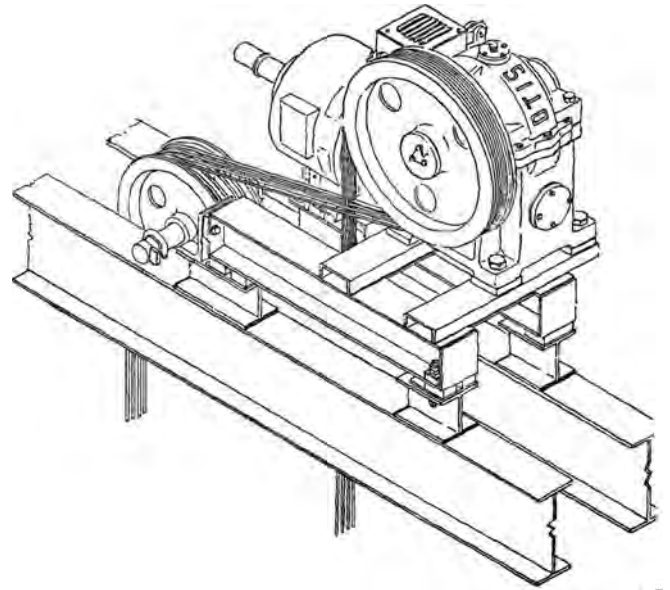


Inboard Driver BT Machine  
Thrust end view

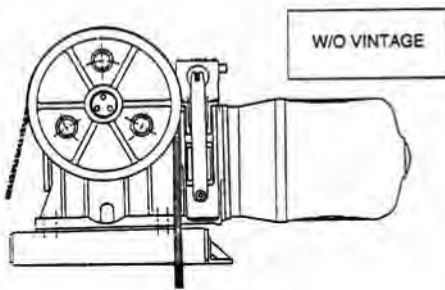
# Appendix - Geared Machine Illustrations



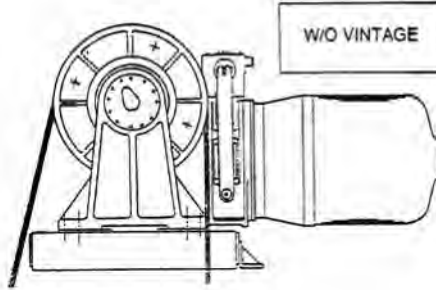
**17CT SWT**  
(from SPL: 06-JX7078BA)



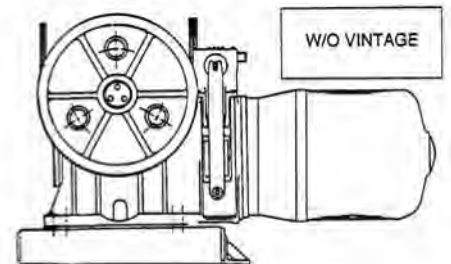
**17CT Long Wrap Traction**  
(from OMM for machines)



**Machine Above w/Overhung Drive Sheave**

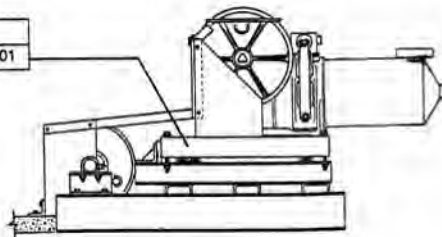


**Machine Above w/Inboard Drive Sheave**

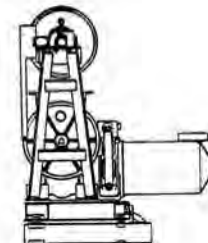


**Machine Below w/Overhung Drive Sheave**

06	7078CB
VINTAGE	Y01



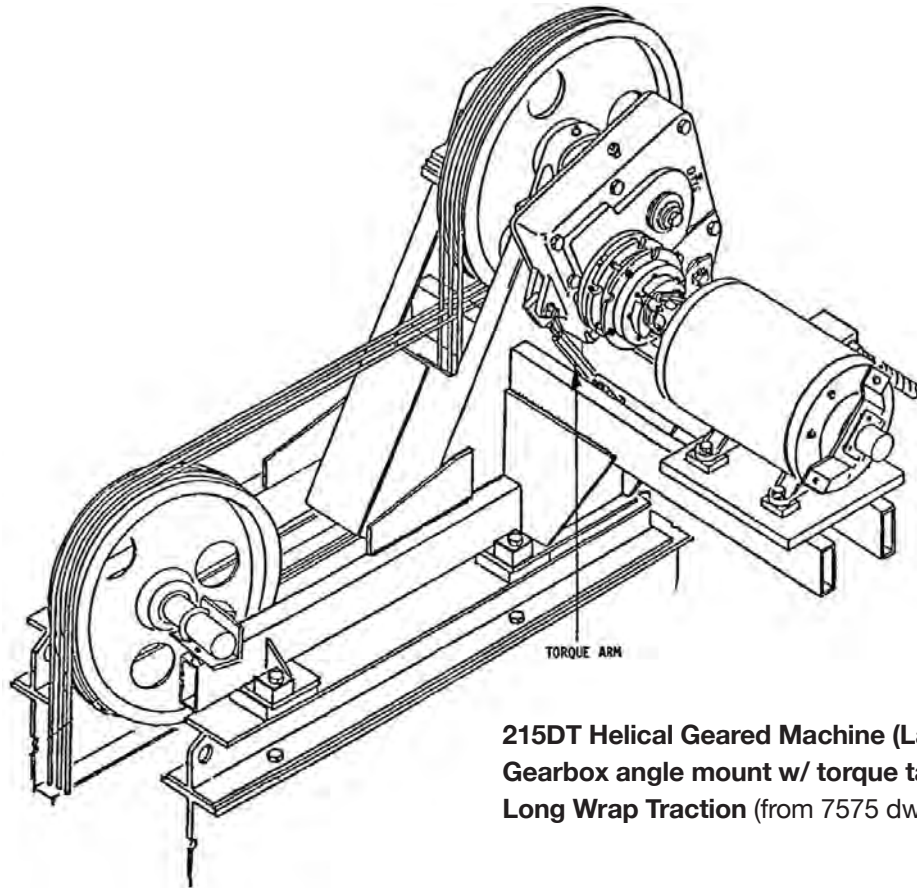
**Machine Above Arrangement (Long Wrap)**



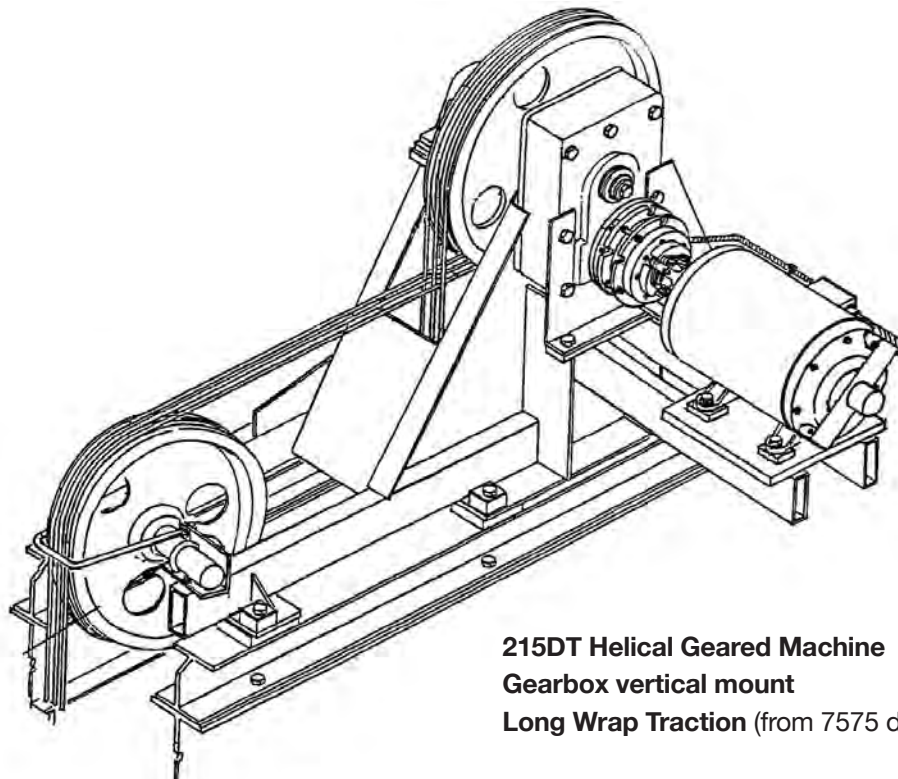
**Machine Below w/Deflector (Single Wrap)**

22CT, 29CT Illustrations from SPL: 06-C7078A

## Appendix - Geared Machine Illustrations

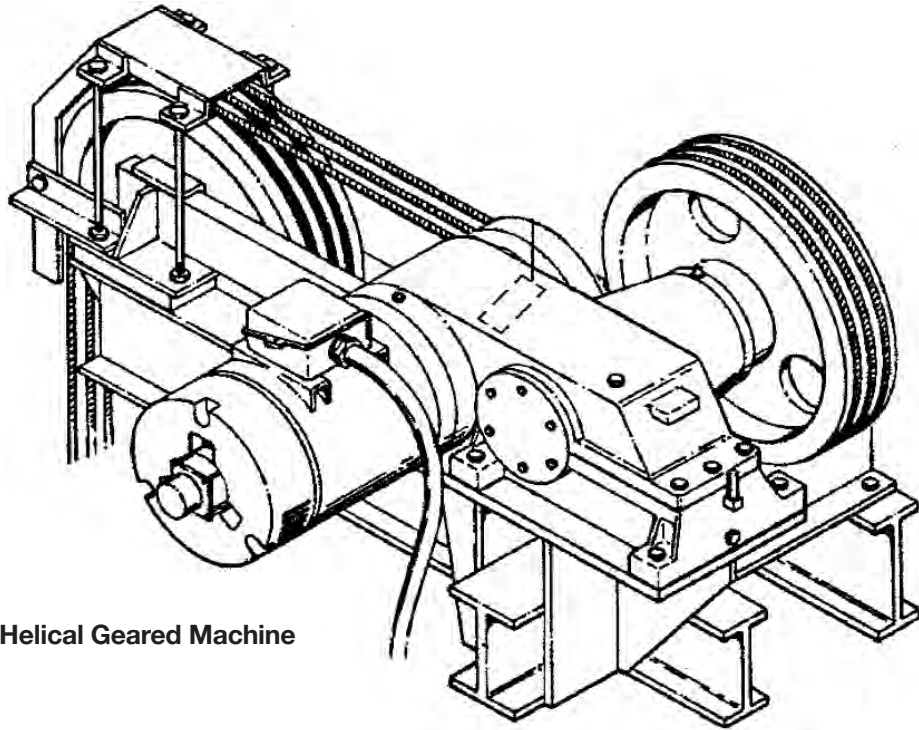


**215DT Helical Geared Machine (Later Design)**  
Gearbox angle mount w/ torque tab  
Long Wrap Traction (from 7575 dwgs)

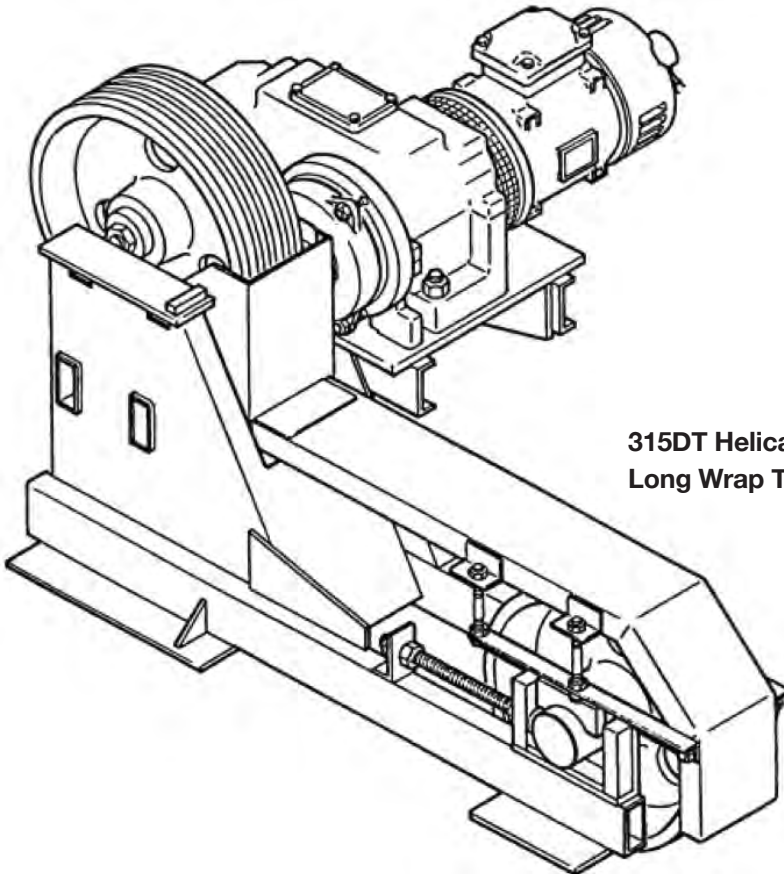


**215DT Helical Geared Machine (Early Design)**  
Gearbox vertical mount  
Long Wrap Traction (from 7575 dwgs)

# Appendix - Geared Machine Illustrations

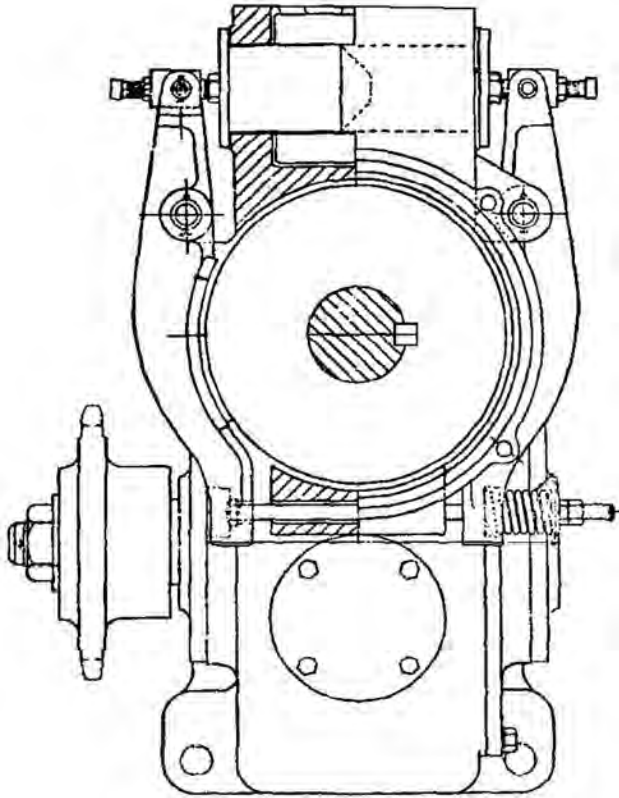


306DT Helical Geared Machine

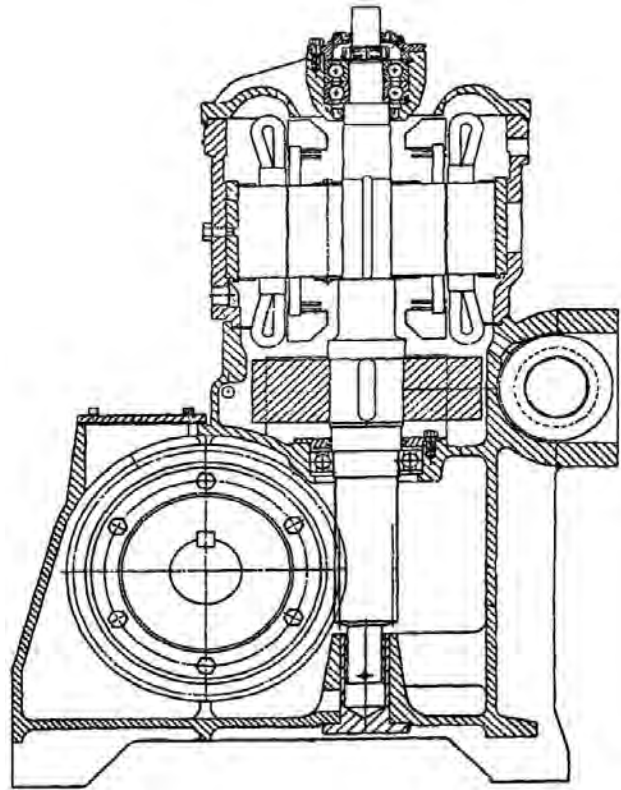


315DT Helical Geared Machine  
Long Wrap Traction

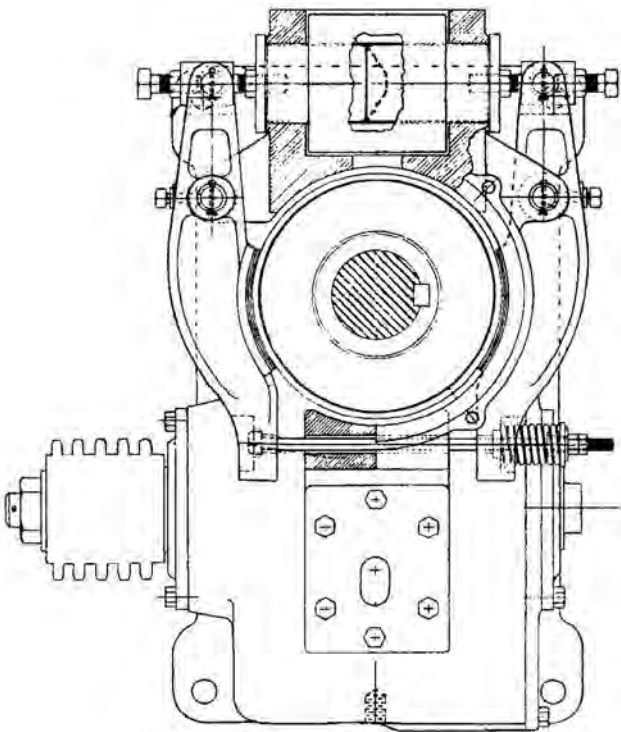
# Appendix - Escalator Machine Illustrations



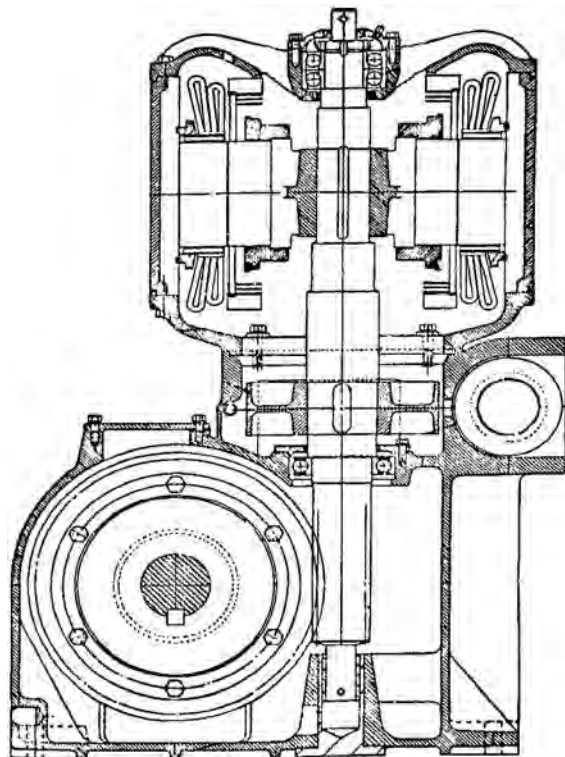
14VEC Brake View



14VEC Rotor View



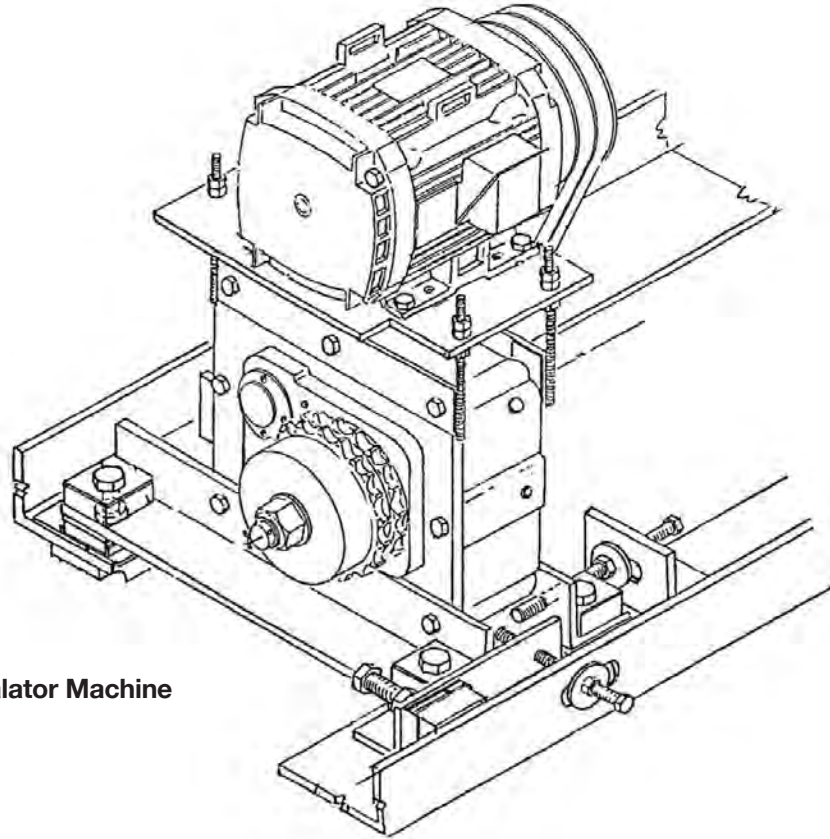
17VEC Brake View



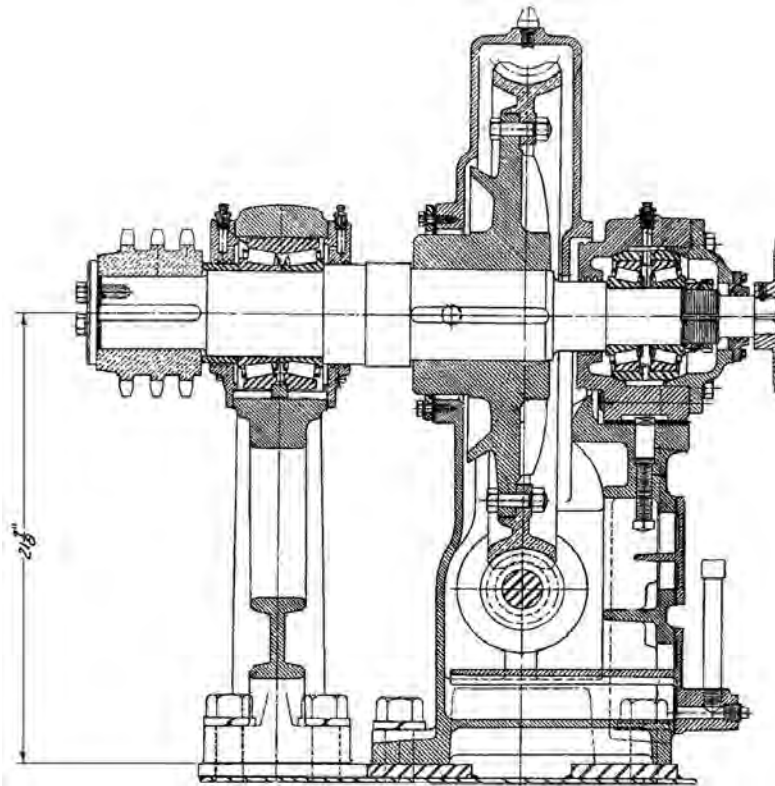
17VEC Rotor View



# Appendix - Escalator Machine Illustrations

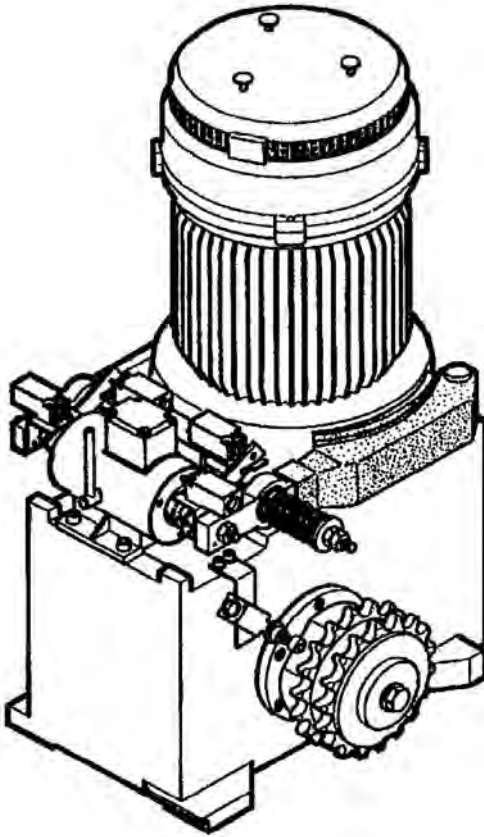


**215EEC Escalator Machine  
Belted Motor**

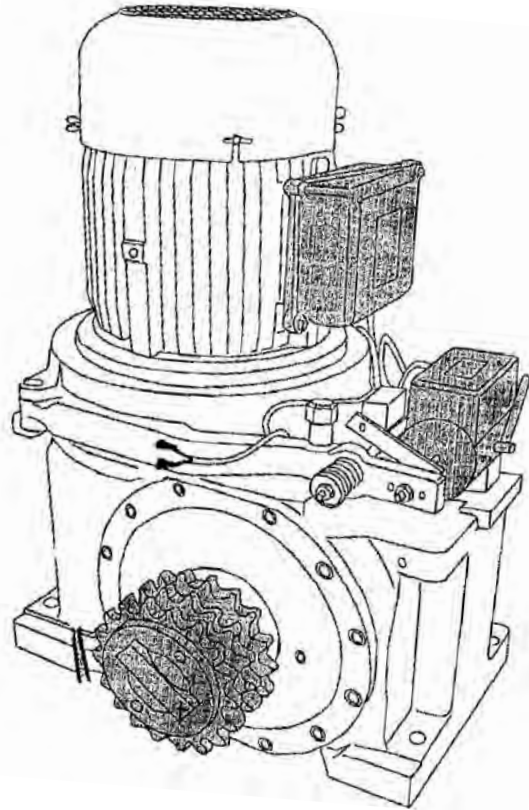


**27BEC Geared Escalator Machine**

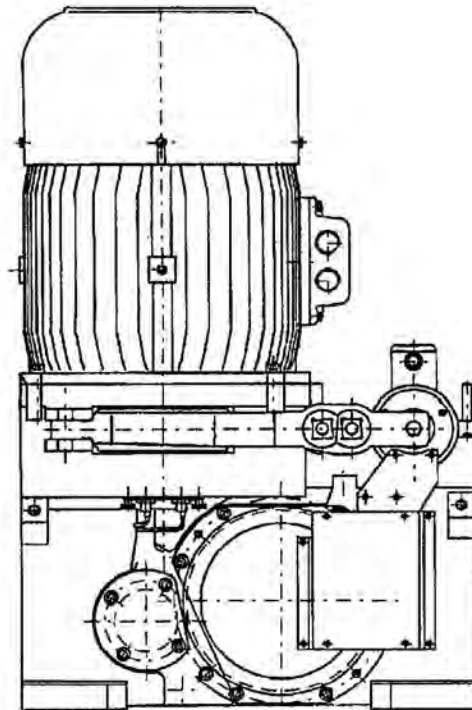
## Appendix - Escalator Machine Illustrations



**EC143 (16VEC-RH very similar)**  
**Chain Drive Escalator Machine**  
Illustration from SPL 06-G...20401A

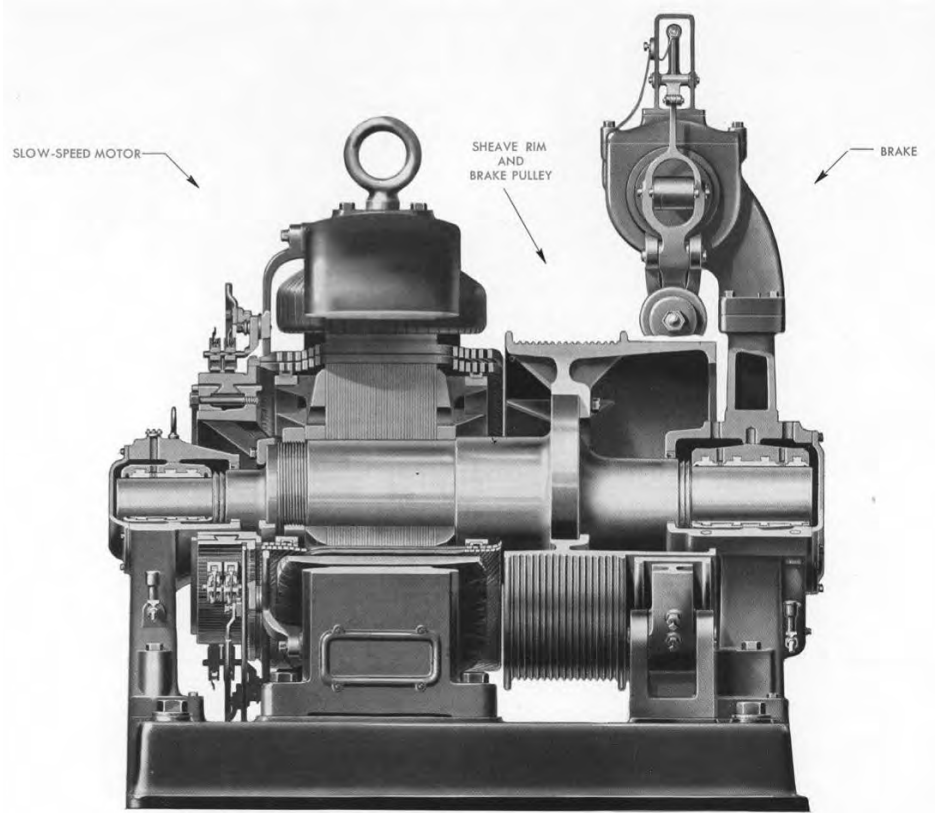


**ECH2**  
Illustration from SPL 06- G...20401F



**ECH3**  
Illustration from SPL06- G...20401C

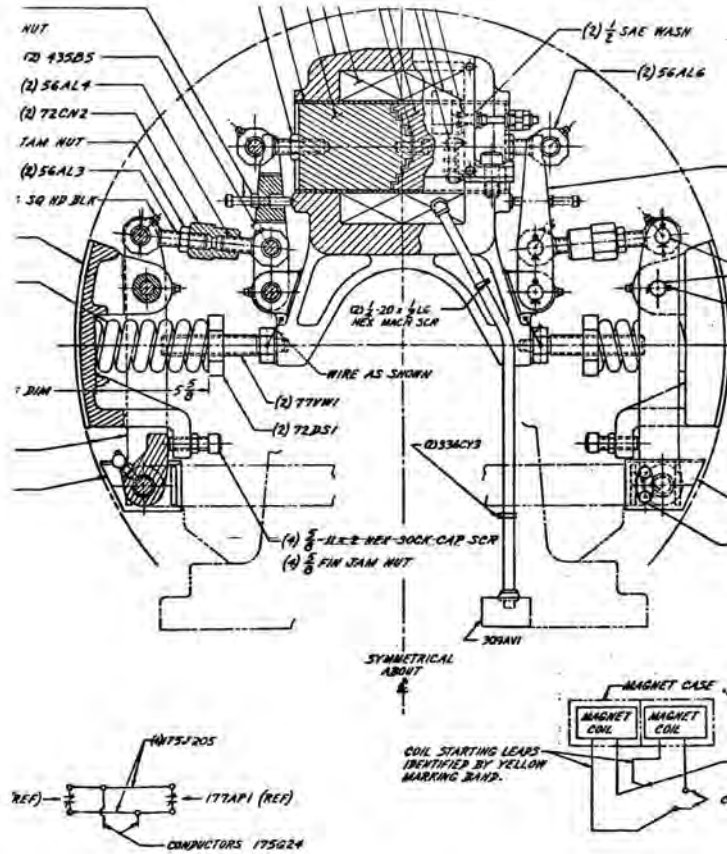
# Appendix - Gearless Machines



	<b>Machine</b>	<b>Brake</b>
"74, 74D"	A6913D	A6913I
"77, 77A"	6289E	6289F
78		

Basic illustration: "74, 77, 78 Gearless"

# Appendix - Gearless Machines



	Machine	Brake
155HT	7119W	6022F
155HT Brake section		

Notes