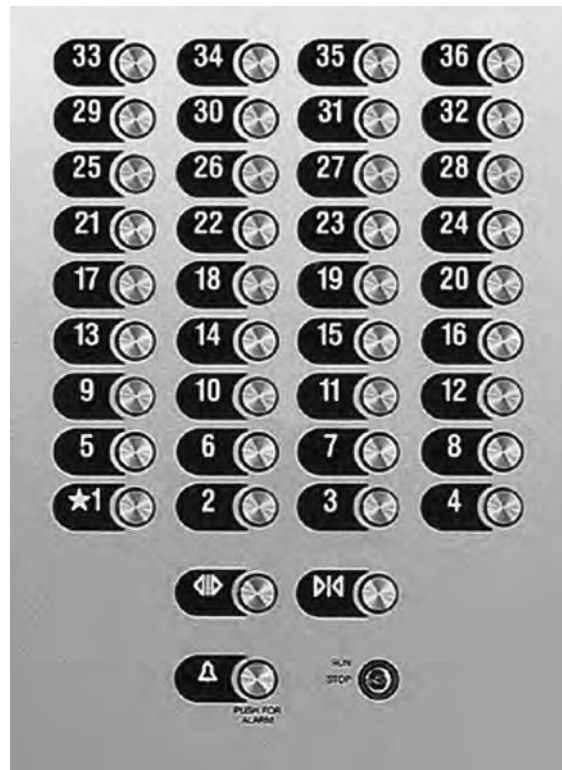




Pushbuttons

csemailorders@otis.com

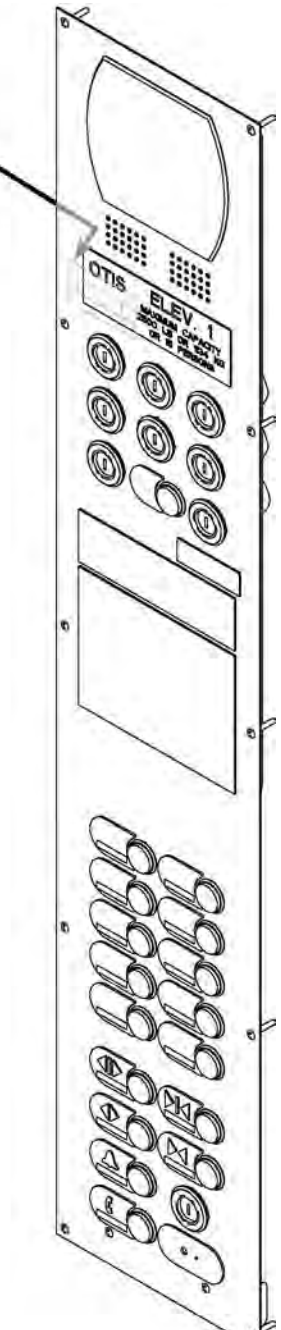
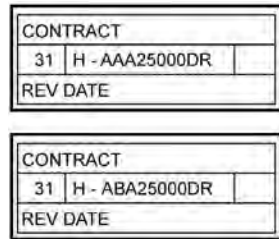


Pushbuttons

Notes About This Catalog Section

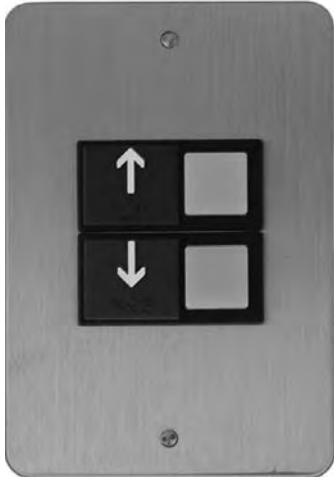
Terminology, Sizing Standards, and Use

- The primary measurements shown for parts are based upon their design drawings.
- Most measurements are provided in both Imperial units (for the United States) and metric units (for Canada, Mexico, etc.). If only one form of a measurement is provided, assume Imperial units (generally inches) unless otherwise stated.
- Most Imperial measurements are rounded to the nearest tenth or hundredth of an inch and most metric measurements are rounded to the nearest millimeter.
- The term “vintage” refers to the period of time in which the original equipment was manufactured. If installation records are not available, the vintage of a component may be determined from a vintage tag affixed to the component. Shown below are two types of vintage tags used on Otis equipment over the years.





7069AF Buttons



Series 1 Fixtures



AAA23500AC & AAA23500AK Buttons



AAA23500AM Buttons



AAA23500AC & AAA23500AK Buttons



AAA23500AM Buttons



Series 4 Fixtures



Series 2 Fixtures

Pushbuttons

Table of Contents

Notes About This Catalog Section	2
7014A.....	11
7014B.....	12
GS1-7014A	13
GS1-7014B	14
7035A.....	15
A7069A.....	16
7069Y.....	17
7069AF.....	18
Alarm Button, Raised White Graphic.....	22
Electrical Rating: 5A @250 VAC-DPDT	22
Electrical Rating: Nominal 12 V	24
Electrical Rating: Nominal 6 V	25
Alarm Button, Raised White Graphic with Black Printed Text on Target.....	26
Electrical Rating: 5A @250 VAC-DPDT	26
Electrical Rating: Nominal 12 V	27
Alarm Button, Raised White Graphic With Braille for ADA	28
Electrical Rating: Nominal 12 V	28
Electrical Rating: Nominal 6 V	30
Attendant Non-Stop Button	
White Printed Text	31
Electrical Rating: 5A @250 VAC-SPDT	31
Electrical Rating: 30 V.....	33
Call Cancel (Reset) Button	
White Printed Text	35
Electrical Rating: 5A @250 VAC-SPDT.....	35
Call Cancel (Reset) Button White Printed French Text.....	36
Electrical Rating: 5A @250 VAC-SPDT.....	36
Door Open Button Raised White Graphic.....	37
Electrical Rating: 5A @250 VAC-DPDT	37
Door Open Button, Raised White Graphic w/Braille.....	43
Electrical Rating: 5A @250 VAC-DPDT	43
Door Close Button Raised White Graphic.....	45
Electrical Rating: 5A @250 VAC-SPDT.....	45
Door Close Button, Raised White Graphic with Braille.....	52
Electrical Rating: 5A @250 VAC-SPDT.....	52

Table of Contents

Rear Door Open Button Raised White Graphic.....	53
Electrical Rating: 5A @250 VAC-SPDT.....	53
Rear Door Open Button, Raised White Graphic w/White Printed Text	56
Electrical Rating: 5A @250 VAC-DPDT	56
Rear Door Open Button, Raised White Graphic w/Braille.....	59
Electrical Rating: 5A @250 VAC-DPDT	59
Rear Door Close Button Raised White Graphic.....	61
Electrical Rating: 5A @250 VAC-SPDT.....	61
Rear Door Close Button, Raised White Graphic w/White Printed Text	64
Electrical Rating: 5A @250 VAC-SPDT.....	64
Rear Door Close Button, Raised White Graphic w/Braille.....	67
Electrical Rating: 5A @250 VAC-SPDT.....	67
Rear Door Close Button, Raised White Graphic w/Braille & Printed Text	68
Electrical Rating: 5A @250 VAC-SPDT.....	68
Electrical Rating: 5A @250 VAC-DPDT	68
Floor Button, Single Digit, Raised White Graphic, Illuminated Target.....	69
Electrical Rating: N/A.....	69
Electrical Rating: 24 VDC.....	70
Electrical Rating: 30 VDC.....	71
Electrical Rating: 48 VDC.....	73
Electrical Rating: 115 VAC.....	73
Floor Button, Double Digit Raised White Graphic Illuminated Target.....	74
Electrical Rating: NA.....	74
Electrical Rating: 24 VDC.....	75
Electrical Rating: 30 VDC.....	76
Electrical Rating: 48 VDC.....	77
Electrical Rating: 115 VAC.....	78
Floor Button, Single or Double Digit	
Raised White Graphic Illuminated Target	79
Electrical Rating: 30 VDC.....	79
Floor Button, Single or Double Digit	
Raised White Graphic w/Braille and Illuminated Target.....	80
Electrical Rating: 30 VDC.....	80
Electrical Rating: 110 VDC.....	80
Electrical Rating: 110 VAC.....	81
Hall Call, Up Button, Raised White Graphic, Illuminated Target.....	82
Electrical Rating: 15 VAC	82
Electrical Rating: 24 VDC.....	83
Electrical Rating: 48 VDC.....	84
Electrical Rating: 115 VAC.....	85
Electrical Rating: 30 VDC.....	86

Pushbuttons

Table of Contents

Hall Call, Up Button, Raised White Graphic w/Braille, Illuminated Target	91
Electrical Rating: 30 VDC.....	91
Electrical Rating: 110 VDC.....	93
Hall Call, Down Button, Raised White Graphic, Illuminated Target.....	94
Electrical Rating: N/A	94
Electrical Rating: 24 VDC.....	95
Electrical Rating: 48 VDC.....	95
Electrical Rating: 115 VAC.....	96
Electrical Rating: Nominal 30 VDC	98
Hall Call, Down Button, Raised White Graphic w/Braille, Illuminated Target.....	103
Electrical Rating: Nominal 110 VAC	103
Electrical Rating: Nominal 30 VDC	104
Hall Call Button, Jamb Mounted, Raised White Graphic, Illuminated Target.....	106
Electrical Rating: Nominal 30 VDC	106
Electrical Rating: Nominal 24 VDC	106
Stop Button White Printed Text.....	107
Electrical Rating: 5A @250 VAC-SPDT.....	107
Electrical Rating: 5A @250 VAC-DPDT	108
7069AF Button Kits.....	109
7069BF.....	110
Two-Button Module w/Remote Station & Housing, Hall Panel & Flat COP Applications	110
One-Button Module w/Remote Station & Housing, Hall Panel & Flat COP Applications	112
Two-Button Module w/Remote Station, Molded COP Applications.....	115
One-Button Module w/Remote Station, Molded COP Applications	117
Button Kits.....	118
AAA23500AK.....	119
Micro-Motion III Pushbuttons: Flat Flush, Screw Connector	120
Electrical Rating: 6 VDC.....	120
Electrical Rating: 12 VDC.....	120
Electrical Rating: 30 VDC.....	121
Electrical Rating: 120 VAC	121
Electrical Rating: 120 VDC	121
Electrical Rating: 120 V Maximum.....	121
Micro-Motion III Pushbuttons: Flat Flush, Amp Connector.....	122
Electrical Rating: 24 VDC.....	122

Table of Contents

Micro-Motion III Pushbuttons: Flat Projecting, Screw Connector.....	123
Electrical Rating: 6 VDC.....	123
Electrical Rating: 12 VDC.....	123
Electrical Rating: 30 VDC.....	124
Electrical Rating: 120 VAC.....	124
Electrical Rating: 120 VDC.....	124
Electrical Rating: 120 V Maximum.....	124
Micro-Motion III Pushbuttons: Flat Projecting, Amp Connector.....	125
Electrical Rating: 24 VDC.....	125
Micro-Motion III Pushbuttons: Concave Flush, Screw Connector.....	126
Electrical Rating: 6 VDC.....	126
Electrical Rating: 12 VDC.....	126
Electrical Rating: 120 VAC.....	127
Electrical Rating: 120 VDC.....	127
Electrical Rating: 120 V Maximum.....	127
Micro-Motion III Pushbuttons: Concave Flush, Amp Connector.....	128
Electrical Rating: 24 VDC.....	128
Micro-Motion III Pushbuttons: Concave Projecting, Screw Connector.....	129
Electrical Rating: 6 VDC.....	129
Electrical Rating: 12 VDC.....	129
Electrical Rating: 120 VAC.....	130
Electrical Rating: 120 VDC.....	130
Electrical Rating: 120 V Maximum.....	130
Micro-Motion III Pushbuttons: Concave Projecting, Amp Connector.....	131
Electrical Rating: 24 VDC.....	131
AAA23500AM.....	132
Micro-Motion III Pushbuttons: Flat Flush, Screw Connector.....	132
Electrical Rating: 6 VDC.....	132
Electrical Rating: 30 VDC.....	132
Electrical Rating: 120 VAC.....	132
Electrical Rating: 120 VDC.....	132
Electrical Rating: 120 V Maximum.....	132
Micro-Motion III Pushbuttons: Flat Flush, Amp Connector.....	133
Electrical Rating: 24 VDC.....	133
Micro-Motion III Pushbuttons: Flat Projecting, Screw Connector.....	133
Electrical Rating: 6 VDC.....	133
Electrical Rating: 12 VDC.....	133
Electrical Rating: 30 VDC.....	133
Electrical Rating: 120 VAC.....	133
Electrical Rating: 120 VDC.....	133
Electrical Rating: 120 V Maximum.....	133

Pushbuttons

Table of Contents

Micro-Motion III Pushbuttons: Flat Projecting, Amp Connector	134
Electrical Rating: 24 VDC.....	134
Micro-Motion III Pushbuttons: Concave Flush, Screw Connector	134
Electrical Rating: 6 VDC.....	134
Electrical Rating: 12 VDC.....	134
Electrical Rating: 120 VAC.....	134
Electrical Rating: 120 VDC	134
Electrical Rating: 120 V Maximum.....	134
Micro-Motion III Pushbuttons: Concave Flush, Amp Connector	135
Electrical Rating: 24 VDC.....	135
Micro-Motion III Pushbuttons: Concave Projecting, Screw Connector	135
Electrical Rating: 6 VDC.....	135
Electrical Rating: 12 VDC.....	135
Electrical Rating: 120 VAC.....	135
Electrical Rating: 120 VDC	135
Electrical Rating: 120 V Maximum.....	135
Micro-Motion III Pushbuttons: Concave Projecting, Amp Connector	136
Electrical Rating: 24 VDC.....	136
AAA23500AQ	137
Motionless II Pushbutton, Luxury Fixtures, Flat Flush	137
Electrical Rating: 24 VDC.....	137
Motionless II Pushbutton, Luxury Fixtures, Flat Projecting.....	138
Electrical Rating: 24 VDC.....	138
Motionless II Pushbutton, Luxury Fixtures, Concave Flush	138
Electrical Rating: 24 VDC.....	138
Motionless II Pushbutton, Luxury Fixtures, Concave Projecting	139
Electrical Rating: 24 VDC.....	139
AAA23500BY	140
Micro-Motion III Pushbuttons: Flat Flush, Screw Connector	141
Electrical Rating: 6 VDC.....	141
Electrical Rating: 12 VDC.....	141
Electrical Rating: 30 VDC.....	142
Electrical Rating: 120 VAC.....	142
Electrical Rating: 120 VDC	142
Electrical Rating: 120 V Max.....	142
Micro-Motion III Pushbuttons: Flat Flush, Amp Connector.....	143
Electrical Rating: 24 VDC.....	143
Micro-Motion III Pushbuttons: Flat Projecting, Screw Connector.....	144
Electrical Rating: 6 VDC.....	144
Electrical Rating: 12 VDC.....	144

Table of Contents

Electrical Rating: 30 VDC.....	145
Electrical Rating: 120 VAC.....	145
Electrical Rating: 120 VDC.....	145
Electrical Rating: 120 V Max.....	145
Micro-Motion III Pushbuttons: Flat Projecting, Amp Connector.....	146
Electrical Rating: 24 VDC.....	146
Micro-Motion III Pushbuttons: Concave Flush, Screw Connector.....	147
Electrical Rating: 6 VDC.....	147
Electrical Rating: 12 VDC.....	147
Electrical Rating: 120 VAC.....	148
Electrical Rating: 120 VDC.....	148
Electrical Rating: 120 V Max.....	148
Micro-Motion III Pushbuttons: Concave Flush, Amp Connector.....	149
Electrical Rating: 24 VDC.....	149
Micro-Motion III Pushbuttons: Concave Projecting, Screw Connector.....	150
Electrical Rating: 6 VDC.....	150
Electrical Rating: 12 VDC.....	150
Electrical Rating: 120 VAC.....	150
Electrical Rating: 120 VDC.....	151
Electrical Rating: 120 V Max.....	151
Micro-Motion III Pushbuttons: Concave Projecting, Amp Connector.....	152
Electrical Rating: 24 VDC.....	152
AAA23500BZ.....	153
Micro-Motion III Vandal-Resistant Pushbutton: Flat Flush, Screw Connector..	153
Electrical Rating: 6 VDC.....	153
Electrical Rating: 12 VDC.....	153
Electrical Rating: 30 VDC.....	153
Electrical Rating: 120 VAC.....	153
Electrical Rating: 120 VDC.....	153
Electrical Rating: 120 V Maximum.....	153
Micro-Motion III Vandal-Resistant Pushbutton: Flat Projecting,	
Screw Connector.....	154
Electrical Rating: 6 VDC.....	154
Electrical Rating: 12 VDC.....	154
Electrical Rating: 30 VDC.....	154
Electrical Rating: 120 VAC.....	154
Electrical Rating: 120 VDC.....	154
Electrical Rating: 120 V Maximum.....	154
Micro-Motion III Vandal-Resistant Pushbutton: Concave Flush,	
Screw Connector.....	155
Electrical Rating: 6 VDC.....	155

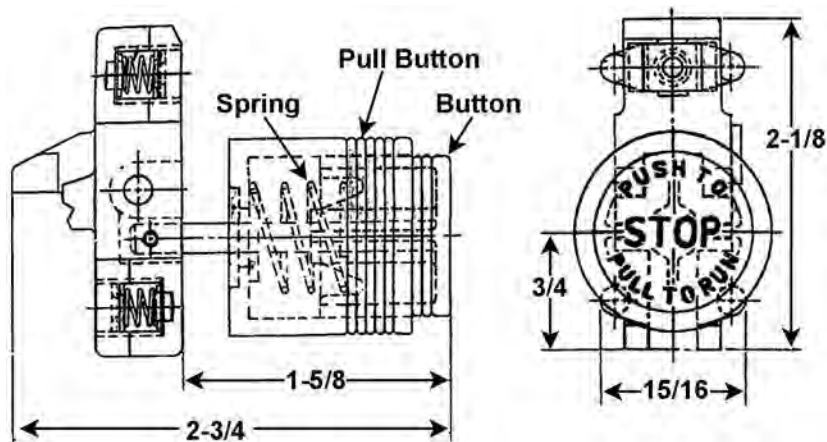
Pushbuttons

Table of Contents

Electrical Rating: 12 VDC.....	155
Electrical Rating: 120 VAC.....	155
Electrical Rating: 120 VDC.....	155
Electrical Rating: 120 V Maximum.....	155
Micro-Motion III Vandal-Resistant Pushbutton: Concave Projecting, Screw Connector.....	156
Electrical Rating: 6 VDC.....	156
Electrical Rating: 12 VDC.....	156
Electrical Rating: 120 VAC.....	156
Electrical Rating: 120 VDC.....	156
Electrical Rating: 120 V Maximum.....	156
AAA23500AAD, Motionless Button	157
Disks for Motionless Buttons.....	159
AAA23500AAF, Series 1	160
Button Assemblies.....	160
Button Assembly Components.....	161
Targets.....	162
AA*23500D, Series 2	163
Button Assemblies.....	163
Kits for Upgrading from AAC23500D to AAD23500D.....	165
Micro-Motion II Pushbuttons: PC Boards.....	167
Micro-Motion II Pushbuttons: Housing, Spacer, and Spring.....	168
Targets.....	169
Without Engraving.....	169
With Engraving (Flat).....	172
AAA7069AAS.....	174
Button Module Assemblies without Insert.....	174
Type I Button Module Assembly.....	175
Type II Button Module Assembly.....	176

7014A

Part No.	Description	Marking
A7014B1	Button, Assembly, 1 in.	Push to Stop - Pull to Run
A7014B3	Button, Assembly, 1 in.	(per order)
A7014B5	Button, Assembly, 1 in., with Pull Button	Push to Stop - Pull to Run



A7014B Button Assemblies



A7014B1

Pushbuttons

7014B

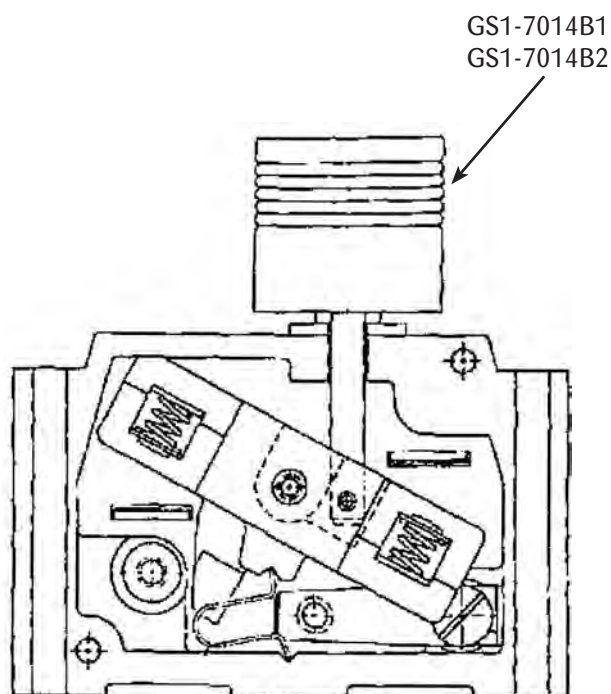
Part No.	Description	Marking
A323AY3	Button, Assembly, 1 in.	Push to Stop - Pull to Run
A323AY4	Button, Assembly, 1 in.	(per order)



A323AY3

GS1-7014A

Part No.	Description	Marking
GS1-7014B1	Button, Assembly, 3/4 in.	Emergency Stop
GS1-7014B2	Button, Assembly, 3/4 in., with Spring Return	Emergency Stop



Pushbuttons

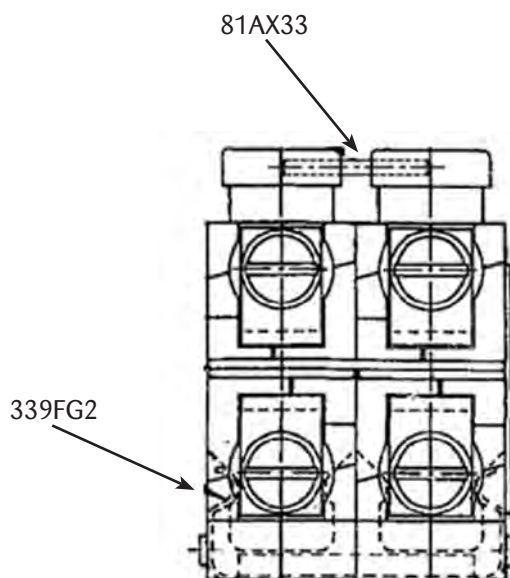
GS1-7014B

Part No.	Description
AAA323DL4	Button, Assembly, 3/4 in.



7035A

Part No.	Description
323CG2	Button
339FG2	Clip, Fastening, for Double Unit, A = 1.203 in.
339FG1	Clip, Fastening, for Single Unit, A = 0.578 in.
AAA424AB3	Lamp, Neon with Resistor
AAA232FN73	Resistor, 1,000 Ohms
81AX33	Spring Pin

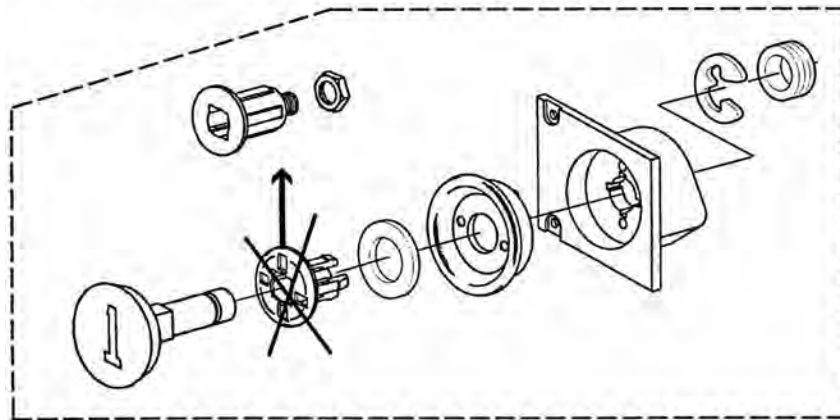
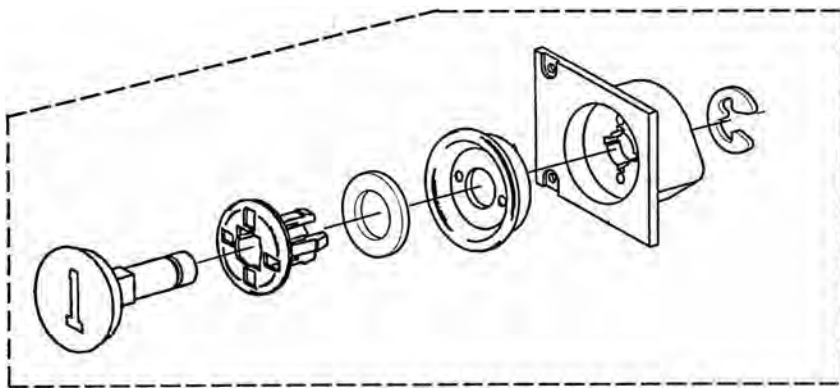


Pushbuttons

A7069A

Part No.	Description
A7069A1-*	Button Assembly
A7069A2-*	Button Assembly
2700AEA2	Components to Make Button ADA

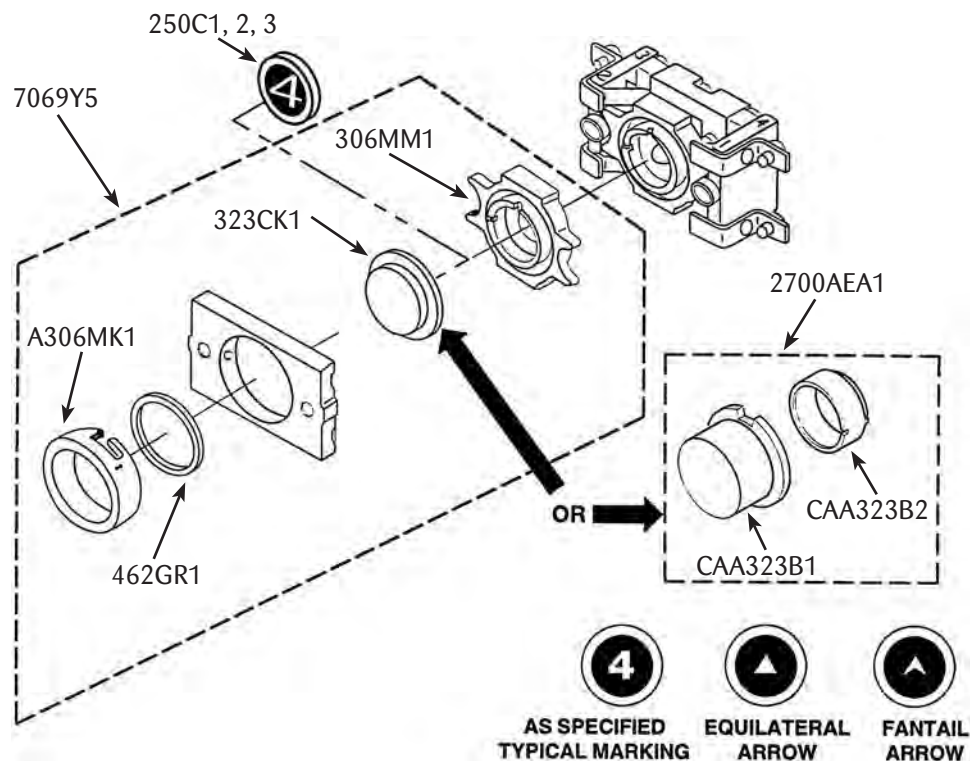
* Specify Marking



A7069A1-1

7069Y

Part No.	Description
2700AEA1	ADA Kit (discard 323CK1 when using this kit)
306MM1	Base
A306MK1	Base, for Light Ring
CAA323B1	Button
7069Y5	Button Kit w/Blank (Black) Insert, w/o Switch
323CK1	Button, Standard, D = 1.0 in, W = 0.38 in
250C1-*	Insert, Marked: As Specified
250C2	Insert, Marked: Equilateral Arrow
250C3	Insert, Marked: Fantail Arrow
386BNM1	Plate (E = 0.28 in.)
CAA323B2	Spacer
462GR1	Spacer, used with faceplates 14 GA (0.075 in. thick or less)



Pushbuttons

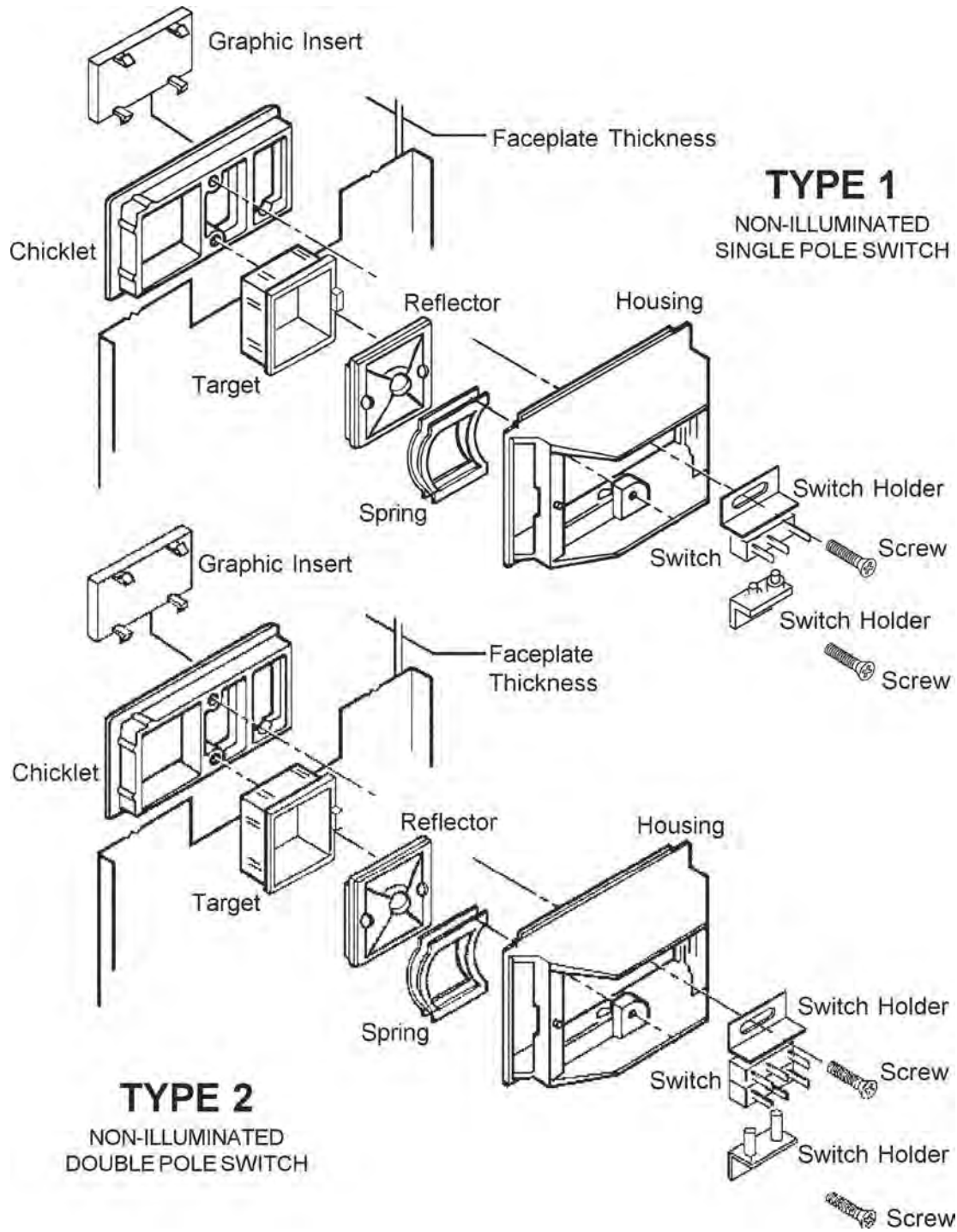
7069AF

Part No.	Description
396VB1	Housing, Black
396VB2	Housing, Clear
396VB3	Housing, White
424R2	Lamp, Incandescent, 14 V
424R1	Lamp, Incandescent, 28 V
AAA629BD2	Lamp, Incandescent, Orange
278EA1	Reflector
94FA1	Spring, Reflector
323DA2	Target, Green
323DA6	Target, Green
323DA4	Target, Red
323DA8	Target, Red
323DA3	Target, Yellow
323DA7	Target, Yellow

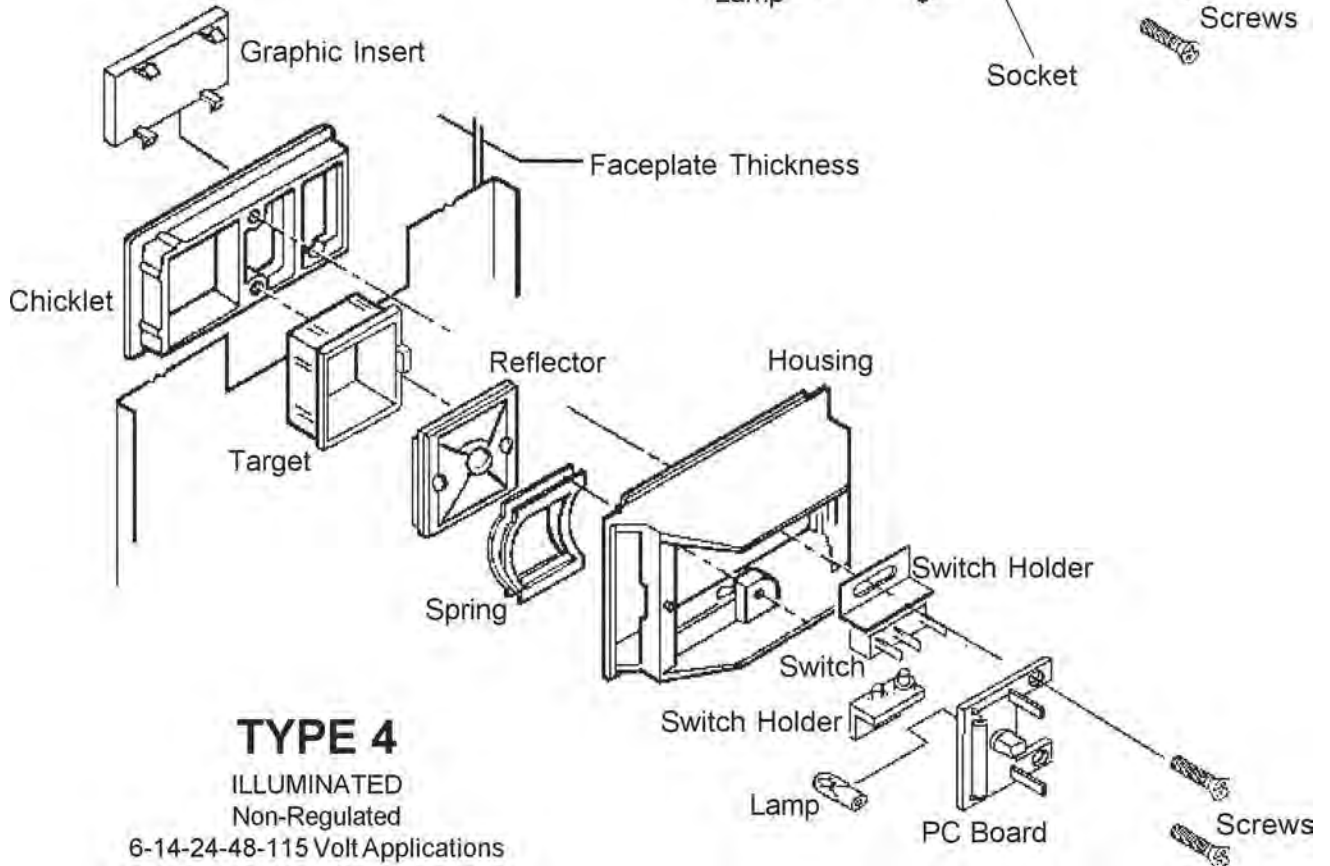
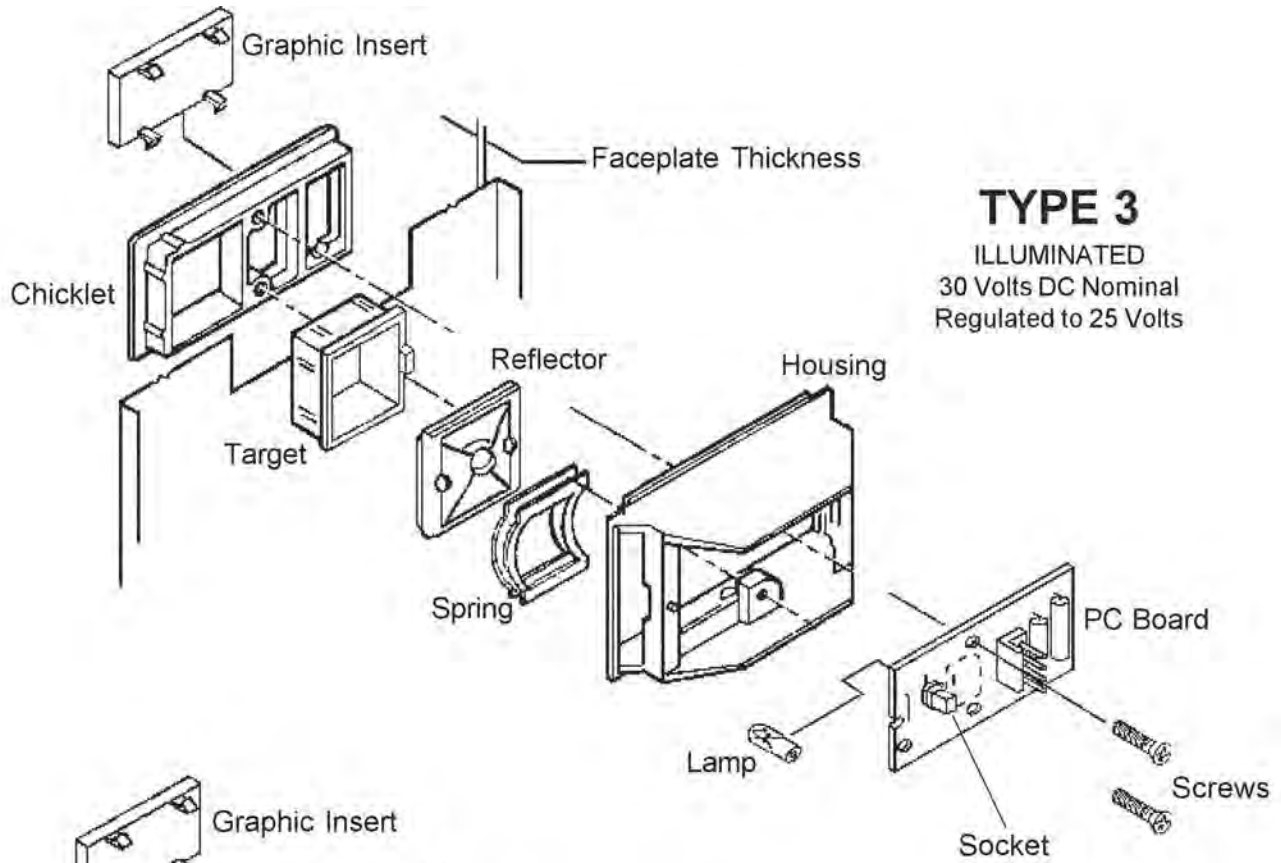
* Note: Items are non-standard, there will be a lead time and may require price quote

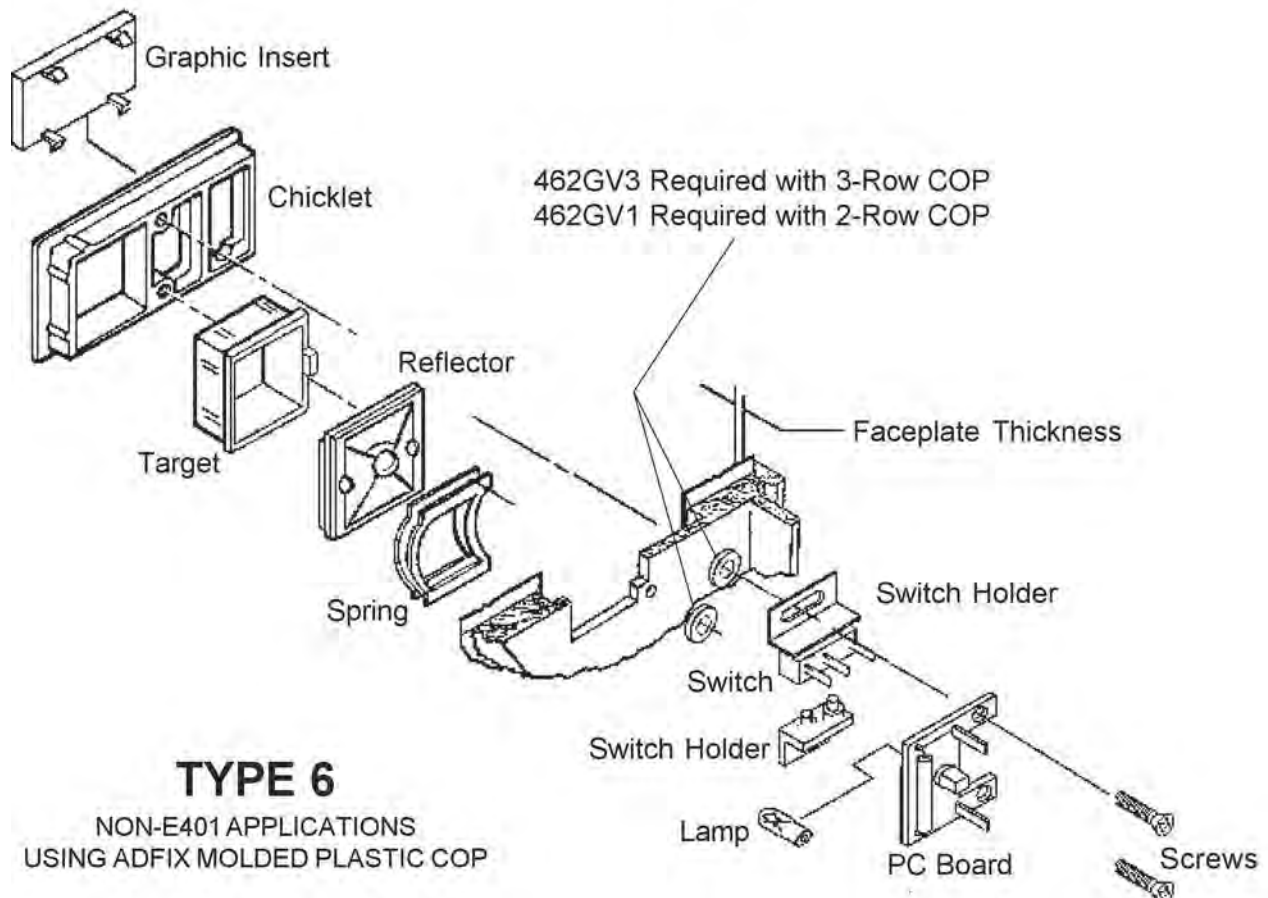
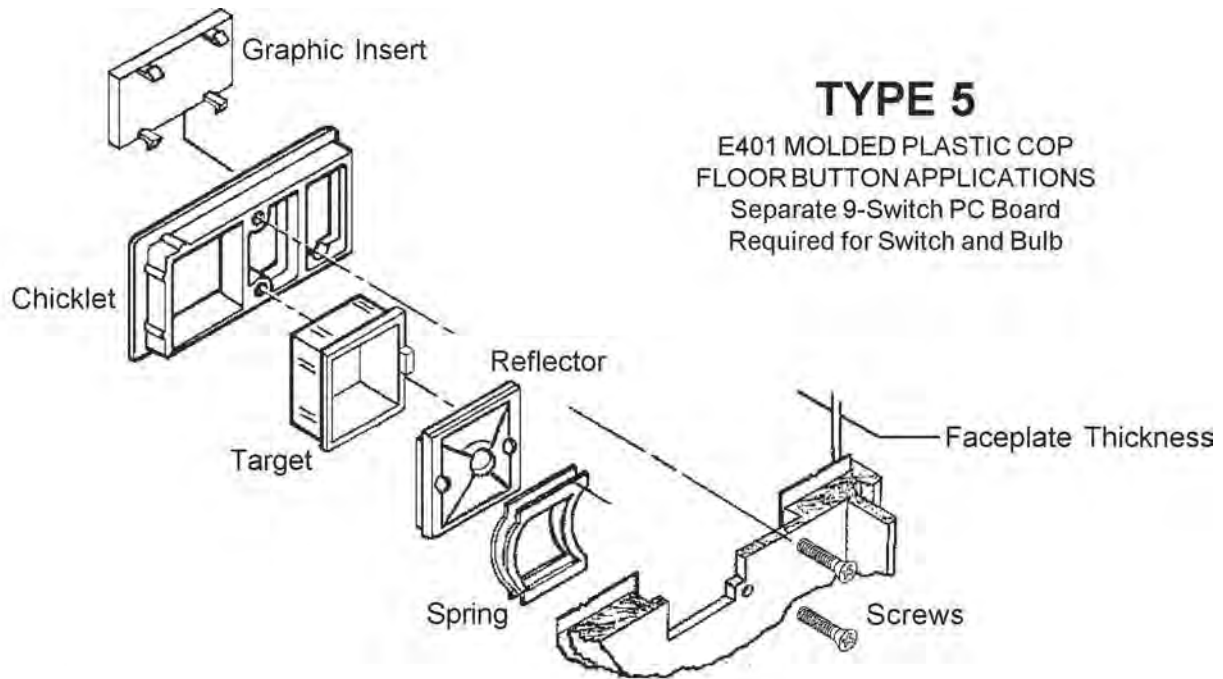


**7069AF Buttons
for Series 1 Fixtures**

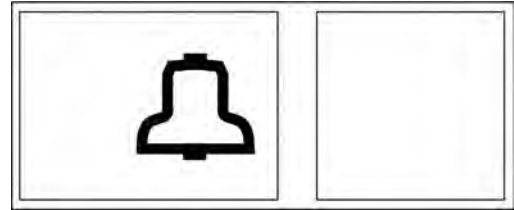


Pushbuttons





Pushbuttons



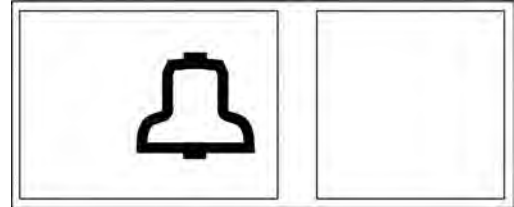
Alarm Button, Raised White Graphic

Electrical Rating: 5A @250 VAC-DPDT

Part No.	Assy. Type	Color	Target	Faceplate Thickness	Illum.	App.	Related Parts
7069AF7	2	Yellow	Flush	1.0 mm	No	E401, MRS, MRVF, MRQ, E311/411, LRS, LRS3, LRV (ALL)	Chicklet: B396PB1 Graphic Insert: 250E5 Housing: 396VB1 Lamp: None PC Board: None Reflector: 278EA1 Screw: 124CY4 Socket: None Spring: 94FA1 Switch: (2) 177DA1 Switch Holder: 180DA1 Target: 323DA3
7069AF28	2	Yellow	Flush	1.5 mm	No	ETO Geared	Chicklet: B396PB1 Graphic Insert: 250E5 Housing: 396VB2 Lamp: None PC Board: None Reflector: 278EA1 Screw: 124CY4 Socket: None Spring: 94FA1 Switch: (2) 177DA1 Switch Holder: 180DA1 Target: 323DA3

Part No.	Assy. Type	Color	Target	Faceplate Thickness	Illum.	App.	Related Parts
7069AF131*	2	White	Flush	1.0 mm	No	E401, LRV4, LRV5L (NAO)	Chicklet: B396PB1 Graphic Insert: 250E5 Housing: 396VB1 Lamp: None PC Board: None Reflector: 278EA1 Screw: 124CY4 Socket: None Spring: 94FA1 Switch: (2) 177DA1 Switch Holder: 180DA1 Target: 323DA1
7069AF143*	2	White	Raised	3.2 mm	No	California	Chicklet: B396PB1 Graphic Insert: 250E5 Housing: 396VB3 Lamp: None PC Board: None Reflector: 278EA1 Screw: 124CY4 Socket: None Spring: 94FA1 Switch: (2) 177DA1 Switch Holder: 180DA1 Target: 323DA5

Pushbuttons



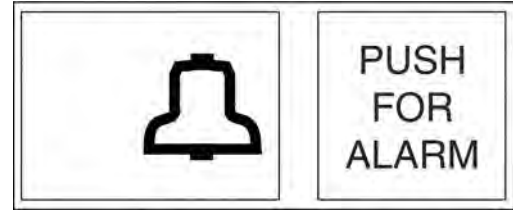
Electrical Rating: Nominal 12 V

Part No.	Assy. Type	Color	Target	Faceplate Thickness	Illum.	App.	Related Parts
7069AF139	4	White	Flush	1.0 mm	Yes	MRQ, LRS3, LRV5L	Chicklet: B396PB1 Graphic Insert: 250E5 Housing: 396VB1 Lamp: 424R2 PC Board: 8200AL4 Reflector: 278EA1 Screw: 124CY5 Socket: 467AT1 Spring: 94FA1 Switch: (2) 177DA1 Switch Holder: 180DA1 Target: 323DA1
7069AF141*	4	White	Flush	3.2 mm	Yes		Chicklet: B396PB1 Graphic Insert: 250E5 Housing: 396VB3 Lamp: 424R2 PC Board: 8200AL4 Reflector: 278EA1 Screw: 124CY5 Socket: 467AT1 Spring: 94FA1 Switch: (2) 177DA1 Switch Holder: 180DA1 Target: 323DA1
7069AF148*	4	White	Flush	1.0 mm	Yes	Province of Quebec	Chicklet: B396PB1 Graphic Insert: 250E5 Housing: 396VB1 Lamp: 424R2 PC Board: 8200AL4 Reflector: 278EA1 Screw: 124CY5 Socket: 467AT1 Spring: 94FA1 Switch: (2) 177DA1 Switch Holder: 180DA1 Target: 323DA1

Electrical Rating: Nominal 6 V

Part No.	Assy. Type	Color	Target	Faceplate Thickness	Illum.	App.	Related Parts
7069AF151*	4	White	Flush	3.2 mm	Yes		Chicklet: B396PB1 Graphic Insert: 250E5 Housing: 396VB3 Lamp: 424R3 PC Board: 8200AL5 Reflector: 278EA1 Screw: 124CY5 Socket: 467AT1 Spring: 94FA1 Switch: (2) 177DA Switch Holder: 180DA1 Target: 323DA1
7069AF152*	4	White	Flush	1.0 mm	No		Chicklet: B396PB1 Graphic Insert: 250E5 Housing: 396VB1 Lamp: 424R3 PC Board: 8200AL5 Reflector: 278EA1 Screw: 124CY5 Socket: 467AT1 Spring: 94FA1 Switch: (2) 177DA1 Switch Holder: 180DA1 Target: 323DA1

Pushbuttons



Alarm Button, Raised White Graphic with Black Printed Text on Target

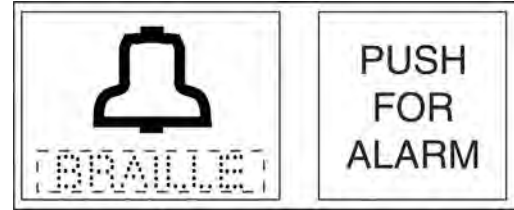
Electrical Rating: 5A @250 VAC-DPDT

Part No.	Assy. Type	Color	Target	Faceplate Thickness	Illum.	App.	Related Parts
7069AF100	2	Yellow	Raised	1.0 mm	Text = "Push for Emergency"	E401, MRS, MRVF, MRQ, E311/411, LRS3, LRV4, LRV5, LRV5L California	Chicklet: B396PB1 Graphic Insert: 250E5 Housing: 396VB1 Lamp: None PC Board: None Reflector: 278EA1 Screw: 124CY4 Socket: None Spring: 94FA1 Switch: (2) 177DA1 Switch Holder: 180DA1 Target: 323DA7

Electrical Rating: Nominal 12 V

Part No.	Assy. Type	Color	Target	Faceplate Thickness	Illum.	App.	Related Parts
7069AF141	4	Yellow	Raised	1.0 mm	Yes	California	Chicklet: B396PB1 Graphic Insert: 250E5 Housing: 396VB1 Lamp: 424R3 PC Board: 8200AL4 Reflector: 278EA1 Screw: 124CY5 Socket: 467AT1 Spring: 94FA1 Switch: (2) 177DA1 Switch Holder: 180DA1 Target: 323DA9
7069AF142	4	White	Raised	3.2 mm	Yes	GEM, LRS, LRS3, LRV5, LRV5L, LHML2S California	Chicklet: B396PB1 Graphic Insert: 250E5 Housing: 396VB1 Lamp: 424R2 PC Board: 8200AL4 Reflector: 278EA1 Screw: 124CY5 Socket: 467AT1 Spring: 94FA1 Switch: (2) 177DA1 Switch Holder: 180DA1 Target: 323DA9

Pushbuttons



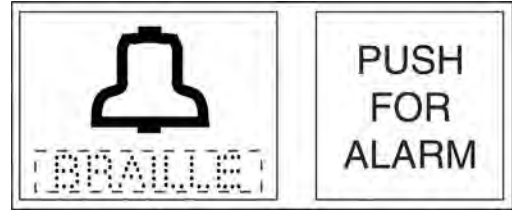
Alarm Button, Raised White Graphic With Braille for ADA

Electrical Rating: Nominal 12 V

Part No.	Assy. Type	Color	Target	Faceplate Thickness	Illum.	App.	Related Parts
7069AF209	4	White	Raised	1.0 mm	Yes	MRQ (ADA)	Chicklet: B396PB1 Graphic Insert: AAA250G1-IALARM Housing: 396VB1 Lamp: 424R2 PC Board: 8200AL4 Reflector: 278EA1 Screw: 124CY5 Socket: 467AT1 Spring: 94FA1 Switch: (2) 177DA1 Switch Holder: 180DA1 Target: 323DA9
7069AF210	4	White	Raised	1.0 mm	Yes	GEM, MRQ, E311/411, LRS, LRS3, LRV5, LRV5L, LHML2ST (ADA)	Chicklet: B396PB1 Graphic Insert: AAA250G1-IALARM Housing: 396VB1 Lamp: 424R2 PC Board: 8200AL4 Reflector: 278EA1 Screw: 124CY5 Socket: 467AT1 Spring: 94FA1 Switch: (2) 177DA1 Switch Holder: 180DA1 Target: 323DA9

Part No.	Assy. Type	Color	Target	Faceplate Thickness	Illum.	App.	Related Parts
7069AF221	4	White	Raised	1.0 mm	Yes French Braille No text on target	MRQ, E311/411, GEM	Chicklet: B396PB1 Graphic Insert: AAA250G1-FIALARM Housing: 396VB1 Lamp: 424R2 PC Board: 8200AL4 Reflector: 278EA1 Screw: 124CY5 Socket: 467AT1 Spring: 94FA1 Switch: (2) 177DA1 Switch Holder: 180DA1 Target: 323DA9

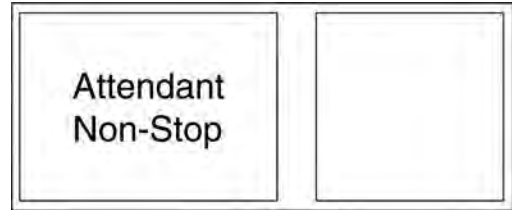
Pushbuttons



Electrical Rating: Nominal 6 V

Part No.	Assy. Type	Color	Target	Faceplate Thickness	Illum.	App.	Related Parts
7069AF222	4	White	Raised	3.2 mm	Yes	(ADA)	Chicklet: B396PB1 Graphic Insert: AAA250G1-IALARM Housing: 396VB1 Lamp: 424R2 PC Board: 8200AL5 Reflector: 278EA1 Screw: 124CY5 Socket: 467AT1 Spring: 94FA1 Switch: (2) 177DA1 Switch Holder: 180DA1 Target: 323DA9
7069AF223	4	White	Raised	3.2 mm	Yes	(ADA)	Chicklet: B396PB1 Graphic Insert: AAA250G1-IALARM Housing: 396VB1 Lamp: 424R2 PC Board: 8200AL5 Reflector: 278EA1 Screw: 124CY5 Socket: 467AT1 Spring: 94FA1 Switch: (2) 177DA1 Switch Holder: 180DA1 Target: 323DA9

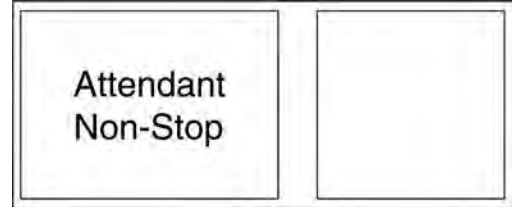
Attendant Non-Stop Button White Printed Text



Electrical Rating: 5A @250 VAC-SPDT

Part No.	Assy. Type	Color	Target	Faceplate Thickness	Illum.	App.	Related Parts
7069AF8	1	White	Flush	1.0 mm	No	E401, MRS, MRVF, MRQ, E311/411, LRS3	Chicklet: B396PB1 Graphic Insert: 250E6 Housing: 396VB1 Lamp: None PC Board: None Reflector: 278EA1 Screw: 124CY4 Socket: None Spring: 94FA1 Switch: 177DA1 Switch Holder: 180DA2 Target: 323DA1
7069AF88	1	White	Raised	1.0 mm	No	E401, MRQ, E311/411 (California)	Chicklet: B396PB1 Graphic Insert: 250E6 Housing: 396VB1 Lamp: None PC Board: None Reflector: 278EA1 Screw: 124CY4 Socket: None Spring: 94FA1 Switch: 177DA1 Switch Holder: 180DA2 Target: 323DA5

Pushbuttons



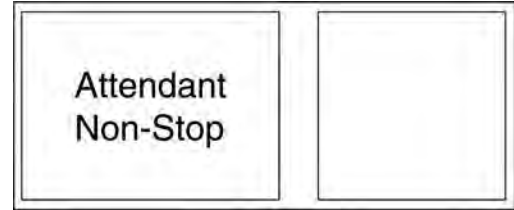
Attendant Non-Stop Button White Printed Text, Electrical Rating: 5A @250 VAC-SPDT (cont.)

Part No.	Assy. Type	Color	Target	Faceplate Thickness	Illum.	App.	Related Parts
7069AF147	1	White	Raised	3.2 mm	No	California	Chicklet: B396PB1
							Graphic Insert: 250E6
							Housing: 396VB1
							Lamp: 424R1
							PC Board: 8200KA2
							Reflector: 278EA1
							Screw: 124CY4
							Socket: 467AT1
							Spring: 94FA1
							Switch: on PCB
							Switch Holder: None
							Target: 323DA5
7069AF29	1	White	Flush	1.5 mm		Geared ETO Applications	Chicklet: B396PB1
							Graphic Insert: 250E30
							Housing: 396VB2
							Lamp: None
							PC Board: None
							Reflector: 278EA1
							Screw: 124CY4
							Socket: None
							Spring: 94FA1
							Switch: 177DA1
							Switch Holder: 180DA2
							Target: 323DA1
7069AF38	1	White	Flush	1.0 mm		E401 ETO Applications	Chicklet: B396PB1
							Graphic Insert: 250E30
							Housing: 396VB1
							Lamp: None
							PC Board: None
							Reflector: 278EA1
							Screw: 124CY4
							Socket: None
							Spring: 94FA1
							Switch: 177DA1
							Switch Holder: 180DA2
							Target: 323DA1

Electrical Rating: 30 V

Part No.	Assy. Type	Color	Target	Faceplate Thickness	Illum.	App.	Related Parts
7069AF107	3	White	Raised	1.0 mm	Yes	California	Chicklet: B396PB1 Graphic Insert: 250E6 Housing: 396VB1 Lamp: 424R1 PC Board: 8200KA2 Reflector: 278EA1 Screw: 124CY4 Socket: 467AT1 Spring: 94FA1 Switch: on PCB Switch Holder: None Target: 323DA5
7069AF128	3	White	Flush	1.0 mm	Yes		Chicklet: B396PB1 Graphic Insert: 250E6 Housing: 396VB1 Lamp: 424R1 PC Board: 8200KA2 Reflector: 278EA1 Screw: 124CY4 Socket: 467AT1 Spring: 94FA1 Switch: on PCB Switch Holder: None Target: 323DA1
7069AF129	3	White	Flush	1.0 mm	Yes Orange LED		Chicklet: B396PB1 Graphic Insert: 250E6 Housing: 396VB1 Lamp: 424R1 PC Board: 8200KA2 Reflector: 278EA1 Screw: 124CY4 Socket: 467AT1 Spring: 94FA1 Switch: on PCB Switch Holder: None Target: 323DA5

Pushbuttons

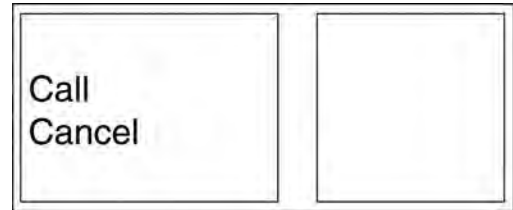


Attendant Non-Stop Button White Printed Text, Electrical Rating: 30 V (continued)

Part No.	Assy. Type	Color	Target	Faceplate Thickness	Illum.	App.	Related Parts
7069AF130	3	White	Raised	1.0 mm	Yes Orange LED		Chicklet: B396PB1 Graphic Insert: 250E6 Housing: 396VB1 Lamp: 424R1 PC Board: 8200KA2 Reflector: 278EA1 Screw: 124CY4 Socket: 467AT1 Spring: 94FA1 Switch: on PCB Switch Holder: None Target: 323DA5

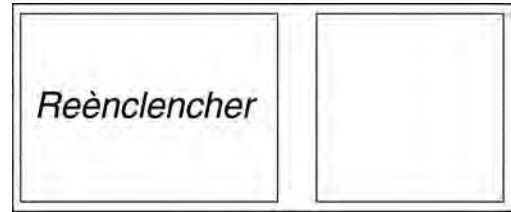
Call Cancel (Reset) Button White Printed Text

Electrical Rating: 5A @250 VAC-SPDT



Part No.	Assy. Type	Color	Target	Faceplate Thickness	App.	Related Parts
7069AF9	1	White	Flush	1.0 mm	E401, MRS, MRVF, MRQ, E311/411, LRS, LRS3, LRV3, LRV4, LRV4L	Chicklet: B396PB1 Graphic Insert: 250E9 Housing: 396VB1 Lamp: None PC Board: None Reflector: 278EA1 Screw: 124CY4 Socket: None Spring: 94FA1 Switch: 177DA1 Switch Holder: 180DA2 Target: 323DA1
7069AF89	1	White	Flush	1.0 mm	E401, MRS, MRVF, MRQ, E311/411, GEM, LRS, LRS3, LRV3, LRV4, LRV5, LRV5L, LHML2ST (California)	Chicklet: B396PB1 Graphic Insert: 250E9 Housing: 396VB1 Lamp: None PC Board: None Reflector: 278EA1 Screw: 124CY4 Socket: None Spring: 94FA1 Switch: 177DA1 Switch Holder: 180DA2 Target: 323DA5
7069AF146	1	White	Raised	3.2 mm	California	Chicklet: B396PB1 Graphic Insert: 250E9 Housing: 396VB3 Lamp: None PC Board: None Reflector: 278EA1 Screw: 124CY4 Socket: None Spring: 94FA1 Switch: 177DA1 Switch Holder: 180DA2 Target: 323DA5

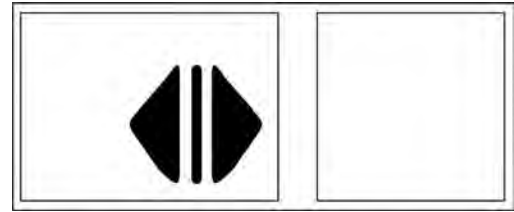
Pushbuttons



Call Cancel (Reset) Button White Printed French Text

Electrical Rating: 5A @250 VAC-SPDT

Part No.	Assy. Type	Color	Target	Faceplate Thickness	App.	Related Parts
7069AF138	1	White	Flush	1.0 mm	French Canada	Chicklet: B396PB1 Graphic Insert: 250E56 Housing: 396VB1 Lamp: None PC Board: None Reflector: 278EA1 Screw: 124CY4 Socket: None Spring: 94FA1 Switch: 177DA1 Switch Holder: 180DA2 Target: 323DA1

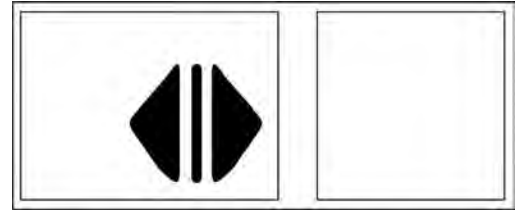


Door Open Button Raised White Graphic

Electrical Rating: 5A @250 VAC-DPDT

Part No.	Assy. Type	Color	Target	Faceplate Thickness	App.	Related Parts
7069AF3	2	Green	Flush	1.0 mm	E401, LRS	Chicklet: B396PB1 Graphic Insert: 250E1 Housing: 396VB1 Lamp: None PC Board: None Reflector: 278EA1 Screw: 124CY4 Socket: None Spring: 94FA1 Switch: (2) 177DA1 Switch Holder: 180DA1 Target: 323DA2
7069AF18	2	White	Flush	1.0 mm	E401 ETO	Chicklet: B396PB1 Graphic Insert: 250E1 Housing: 396VB1 Lamp: None PC Board: None Reflector: 278EA1 Screw: 124CY4 Socket: None Spring: 94FA1 Switch: (2) 177DA1 Switch Holder: 180DA1 Target: 323DA1

Pushbuttons

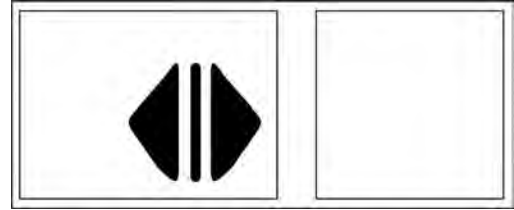


Door Open Button Raised White Graphic, Electrical Rating: 5A @250 VAC-DPDT (continued)

Part No.	Assy. Type	Color	Target	Faceplate Thickness	App.	Related Parts
7069AF24	1	Green	Flush	1.5 mm	Geared ETO	Chicklet: B396PB1 Graphic Insert: 250E1 Housing: 396VB2 Lamp: None PC Board: None Reflector: 278EA1 Screw: 124CY4 Socket: None Spring: 94FA1 Switch: (2) 177DA1 Switch Holder: 180DA1 Target: 323DA1
7069AF41	1	Green	Flush	1.0 mm	MRS, MRVF, LRV2, LRV3	Chicklet: B396PB1 Graphic Insert: 250E1 Housing: 396VB1 Lamp: None PC Board: None Reflector: 278EA1 Screw: 124CY4 Socket: None Spring: 94FA1 Switch: 177DA1 Switch Holder: 180DA2 Target: 323DA2

Part No.	Assy. Type	Color	Target	Faceplate Thickness	App.	Related Parts
7069AF58	6	Green	Flush	1.0 mm	LRS3	Chicklet: B396PB1 Graphic Insert: 250E1 Housing: None Lamp: None PC Board: None Reflector: 278EA1 Screw: 124CY4 Socket: None Spring: 94FA1 Switch: 177DA1 Switch Holder: 180DA2 Target: 323DA2
7069AF102	1	Green	Raised	1.0 mm	California	Chicklet: B396PB1 Graphic Insert: 250E1 Housing: 323DA2 Lamp: None PC Board: None Reflector: 278EA1 Screw: 124CY4 Socket: 396VB1 Spring: 94FA1 Switch: 177DA1 Switch Holder: 180DA2 Target: 323DA2

Pushbuttons

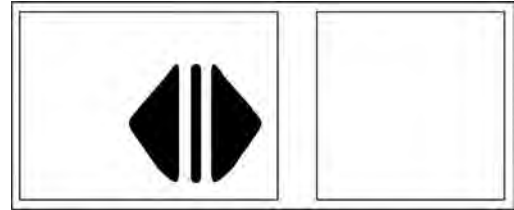


Door Open Button Raised White Graphic, Electrical Rating: 5A @250 VAC-DPDT (continued)

Part No.	Assy. Type	Color	Target	Faceplate Thickness	App.	Related Parts
7069AF105	6	Green	Raised	1.0 mm	LRS3 California	Chicklet: B396PB1 Graphic Insert: 250E1 Housing: None Lamp: None PC Board: None Reflector: 278EA1 Screw: 124CY4 Socket: None Spring: 94FA1 Switch: 177DA1 Switch Holder: 180DA2 Target: 323DA6
7069AF118	2	Green	Raised	1.0 mm	EVC ETO	Chicklet: B396PB1 Graphic Insert: 250E1 Housing: 396VB1 Lamp: None PC Board: 250E1 Reflector: 278EA1 Screw: 124CY4 Socket: None Spring: 94FA1 Switch: (2) 177DA1 Switch Holder: 180DA1 Target: 323DA2

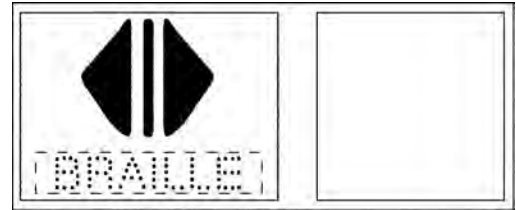
Part No.	Assy. Type	Color	Target	Faceplate Thickness	App.	Related Parts
7069AF124	6	Green	Raised	1.0 mm	EVC California	Chicklet: B396PB1 Graphic Insert: 250E1 Housing: 396VB1 Lamp: None PC Board: None Reflector: 278EA1 Screw: 124CY4 Socket: None Spring: 94FA1 Switch: 177DA1 Switch Holder: 180DA2 Target: 323DA6
7069AF133	6	White	Flush	1.0 mm	LRV4, LRS3	Chicklet: B396PB1 Graphic Insert: 250E1 Housing: None Lamp: None PC Board: None Reflector: 278EA1 Screw: 124CY4 Socket: None Spring: 94FA1 Switch: 177DA1 Switch Holder: 180DA2 Target: 323DA1

Pushbuttons



Door Open Button Raised White Graphic, Electrical Rating: 5A @250 VAC-DPDT (continued)

Part No.	Assy. Type	Color	Target	Faceplate Thickness	App.	Related Parts
7069AF134	2	White	Flush	1.0 mm	E401	Chicklet: B396PB1 Graphic Insert: 250E1 Housing: 396VB1 Lamp: None PC Board: None Reflector: 278EA1 Screw: 124CY4 Socket: None Spring: 94FA1 Switch: (2) 177DA1 Switch Holder: 180DA1 Target: 323DA1
7069AF144	2	White	Raised	3.2 mm	Applied COP	Chicklet: B396PB1 Graphic Insert: 250E1 Housing: 396VB3 Lamp: None PC Board: None Reflector: 278EA1 Screw: 124CY4 Socket: None Spring: 94FA1 Switch: 177DA1 Switch Holder: 180DA2 Target: 323DA5

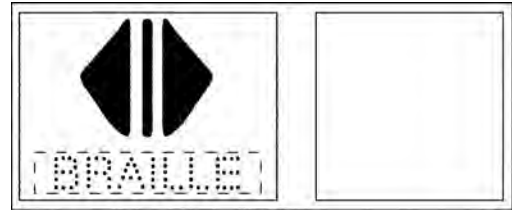


Door Open Button, Raised White Graphic w/Braille

Electrical Rating: 5A @250 VAC-DPDT

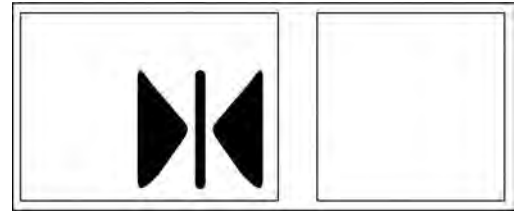
Part No.	Assy. Type	Color	Target	Faceplate Thickness	Illum.	App.	Related Parts
7069AF201	2	White	Raised	1.0 mm		MRQ	Chicklet: B396PB1 Graphic Insert: AAA250G1-IDO Housing: 396VB1 Lamp: None PC Board: None Reflector: 278EA1 Screw: 124CY4 Socket: None Spring: 94FA1 Switch: (2) 177DA1 Switch Holder: 180DA1 Target: 323DA5
7069AF203	6	White	Raised	1.0 mm		LHM	Chicklet: B396PB1 Graphic Insert: AAA250G1-IDO Housing: None Lamp: None PC Board: None Reflector: 278EA1 Screw: 124CY4 Socket: None Spring: 94FA1 Switch: 177DA1 Switch Holder: 180DA2 Target: 323DA5

Pushbuttons



Door Open Button, Raised White Graphic w/Braille
Electrical Rating: 5A @250 VAC-DPDT (continued)

Part No.	Assy. Type	Color	Target	Faceplate Thickness	Illum.	App.	Related Parts
7069AF217	6	White	Raised	1.0 mm	French Braille	MRQ	Chicklet: B396PB1 Graphic Insert: AAA250G1-FIDO Housing: 396VB1 Lamp: None PC Board: None Reflector: 278EA1 Screw: 124CY4 Socket: None Spring: 94FA1 Switch: (2) 177DA1 Switch Holder: 180DA1 Target: 323DA5

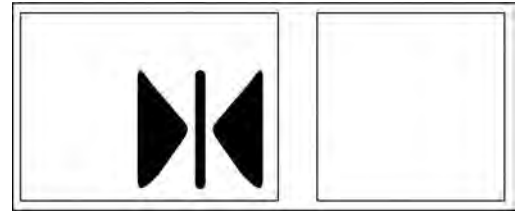


Door Close Button Raised White Graphic

Electrical Rating: 5A @250 VAC-SPDT

Part No.	Assy. Type	Color	Target	Faceplate Thickness	App.	Related Parts
7069AF4	1	Green	Flush	1.0 mm	E401, LRV2, LRV3	Chicklet: B396PB1 Graphic Insert: 250E2 Housing: 396VB1 Lamp: None PC Board: None Reflector: 278EA1 Screw: 124CY4 Socket: None Spring: 94FA1 Switch: 177DA1 Switch Holder: 180DA2 Target: 323DA2
7069AF19	1	White	Flush	1.0 mm	E401 ETO	Chicklet: B396PB1 Graphic Insert: 250E2 Housing: 396VB1 Lamp: None PC Board: None Reflector: 278EA1 Screw: 124CY4 Socket: None Spring: 94FA1 Switch: (2) 177DA1 Switch Holder: 180DA1 Target: 323DA1

Pushbuttons

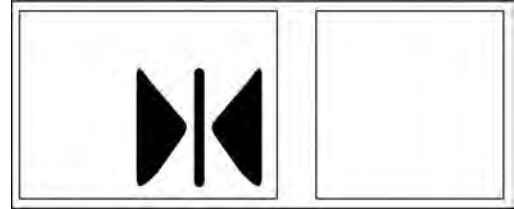


Door Close Button Raised White Graphic
Electrical Rating: 5A @250 VAC-SPDT (continued)

Part No.	Assy. Type	Color	Target	Faceplate Thickness	App.	Related Parts
7069AF25	1	White	Flush	1.5 mm	Geared ETO	Chicklet: B396PB1 Graphic Insert: 250E2 Housing: 396VB2 Lamp: None PC Board: None Reflector: 278EA1 Screw: 124CY4 Socket: None Spring: 94FA1 Switch: 177DA1 Switch Holder: 180DA2 Target: 323DA1
7069AF42	2	Green	Flush	1.0 mm	MRS, MRVF, LRS	Chicklet: B396PB1 Graphic Insert: 250E2 Housing: 396VB1 Lamp: None PC Board: None Reflector: 278EA1 Screw: 124CY4 Socket: None Spring: 94FA1 Switch: (2) 177DA1 Switch Holder: 180DA1 Target: 323DA2

Part No.	Assy. Type	Color	Target	Faceplate Thickness	App.	Related Parts
7069AF57	6	Green	Flush	1.0 mm	LRS	Chicklet: B396PB1 Graphic Insert: 250E2 Housing: None Lamp: None PC Board: None Reflector: 278EA1 Screw: 124CY4 Socket: None Spring: 94FA1 Switch: 177DA1 Switch Holder: 180DA2 Target: 323DA2
7069AF101	2	Green	Raised	1.0 mm	California	Graphic Insert: 250E2 Housing: 396VB1 Lamp: None PC Board: None Reflector: 278EA1 Screw: 124CY4 Socket: None Spring: 94FA1 Switch: (2) 177DA1 Switch Holder: 180DA1 Target: 323DA6

Pushbuttons

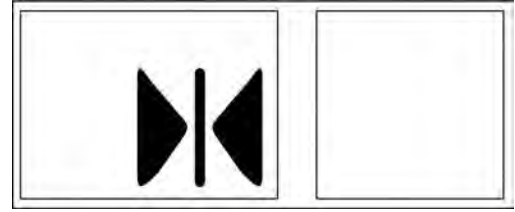


Door Close Button Raised White Graphic
Electrical Rating: 5A @250 VAC-SPDT (continued)

Part No.	Assy. Type	Color	Target	Faceplate Thickness	App.	Related Parts
7069AF103	6	Green	Raised	1.0 mm		Chicklet: B396PB1 Graphic Insert: 250E2 Housing: 396VB1 Lamp: None PC Board: None Reflector: 278EA1 Screw: 124CY4 Socket: None Spring: 94FA1 Switch: 177DA1 Switch Holder: 180DA2 Target: 323DA6
7069AF104	2	Green	Raised	1.0 mm		Chicklet: B396PB1 Graphic Insert: 250E2 Housing: 396VB1 Lamp: None PC Board: None Reflector: 278EA1 Screw: 124CY5 Socket: None Spring: 94FA1 Switch: (2) 177DA1 Switch Holder: 180DA1 Target: 323DA6

Part No.	Assy. Type	Color	Target	Faceplate Thickness	App.	Related Parts
7069AF106	6	Green	Raised	1.0 mm		Chicklet: B396PB1 Graphic Insert: 250E2 Housing: None Lamp: None PC Board: None Reflector: 278EA1 Screw: 124CY4 Socket: None Spring: 94FA1 Switch: 177DA1 Switch Holder: 180DA2 Target: 323DA6
7069AF119	1	Green	Flush	1.0 mm	EVC ETO	Chicklet: B396PB1 Graphic Insert: 250E2 Housing: 396VB1 Lamp: None PC Board: None Reflector: 278EA1 Screw: 124CY4 Socket: None Spring: 94FA1 Switch: 177DA1 Switch Holder: 180DA2 Target: 323DA2

Pushbuttons

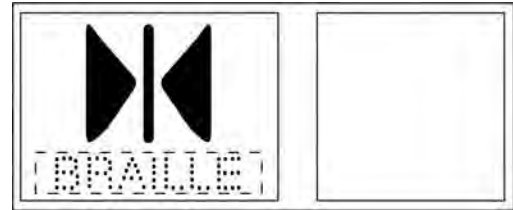


Door Close Button Raised White Graphic
Electrical Rating: 5A @250 VAC-SPDT (continued)

Part No.	Assy. Type	Color	Target	Faceplate Thickness	App.	Related Parts
7069AF125	1	Green	Raised	1.0 mm	EVC California	Chicklet: B396PB1 Graphic Insert: 250E2 Housing: 396VB1 Lamp: None PC Board: None Reflector: 278EA1 Screw: 124CY4 Socket: None Spring: 94FA1 Switch: 177DA1 Switch Holder: 180DA2 Target: 323DA6
7069AF132	6	White	Flush	1.0 mm	LRV4	Chicklet: B396PB1 Graphic Insert: 250E2 Housing: None Lamp: None PC Board: None Reflector: 278EA1 Screw: 124CY4 Socket: None Spring: 94FA1 Switch: 177DA1 Switch Holder: 180DA2 Target: 323DA1

Part No.	Assy. Type	Color	Target	Faceplate Thickness	App.	Related Parts
7069AF135	1	White	Flush	1.0 mm	EVC	Chicklet: B396PB1 Graphic Insert: 250E2 Housing: 396VB1 Lamp: None PC Board: None Reflector: 278EA1 Screw: 124CY4 Socket: None Spring: 94FA1 Switch: 177DA1 Switch Holder: 180DA1 Target: 323DA1
7069AF144	1	White	Raised	3.2 mm	Applied COP	Chicklet: B396PB1 Graphic Insert: 250E2 Housing: 396VB3 Lamp: None PC Board: None Reflector: 278EA1 Screw: 124CY4 Socket: None Spring: 94FA1 Switch: 177DA1 Switch Holder: 180DA2 Target: 323DA5

Pushbuttons



Door Close Button, Raised White Graphic with Braille

Electrical Rating: 5A @250 VAC-SPDT

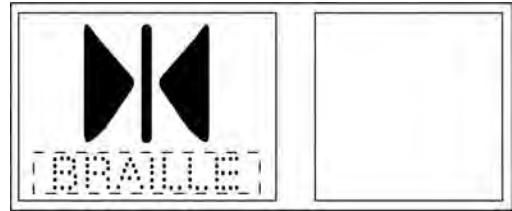
Part No.	Assy. Type	Color	Target	Faceplate Thickness	Illum.	App.	Related Parts
7069AF202	1	White	Raised	1.0 mm		MRQ	Chicklet: B396PB1 Graphic Insert: AAA250G1-IDC Housing: 396VB1 Lamp: None PC Board: None Reflector: 278EA1 Screw: 124CY4 Socket: None Spring: 94FA1 Switch: 177DA1 Switch Holder: 180DA2 Target: 323DA5
7069AF204	6	White	Raised	1.0 mm		LHM	Chicklet: B396PB1 Graphic Insert: AAA250G1-IDC Housing: None Lamp: None PC Board: None Reflector: 278EA1 Screw: 124CY4 Socket: None Spring: 94FA1 Switch: 177DA1 Switch Holder: 180DA2 Target: 323DA5
7069AF218	1	White	Raised	1.0 mm	French Braille	MRQ	Chicklet: B396PB1 Graphic Insert: AAA250G1-FIDC Housing: 396VB1 Lamp: 323DA5 PC Board: None Reflector: 278EA1 Screw: 124CY4 Socket: None Spring: 94FA1 Switch: 177DA1 Switch Holder: 180DA2 Target: 323DA5

Rear Door Open Button Raised White Graphic

Electrical Rating: 5A @250 VAC-SPDT

Part No.	Assy. Type	Color	Target	Faceplate Thickness	App.	Related Parts
7069AF5	2	Green	Flush	1.0 mm	E401, MRQ	Chicklet: B396PB1 Graphic Insert: 250E3 Housing: 396VB1 Lamp: None PC Board: None Reflector: 278EA1 Screw: 124CY4 Socket: None Spring: 94FA1 Switch: (2) 177DA1 Switch Holder: 180DA1 Target: 323DA2
7069AF20	2	White	Flush	1.0 mm	E401 ETO	Chicklet: B396PB1 Graphic Insert: 250E3 Housing: 396VB1 Lamp: None PC Board: None Reflector: 278EA1 Screw: 124CY4 Socket: None Spring: 94FA1 Switch: (2) 177DA1 Switch Holder: 180DA1 Target: 323DA1
7069AF26	2	White	Flush	1.5 mm	Geared ETO	Chicklet: B396PB1 Graphic Insert: 250E3 Housing: 396VB2 Lamp: None PC Board: None Reflector: 278EA1 Screw: 124CY4 Socket: None Spring: 94FA1 Switch: (2) 177DA1 Switch Holder: 180DA1 Target: 323DA1

Pushbuttons

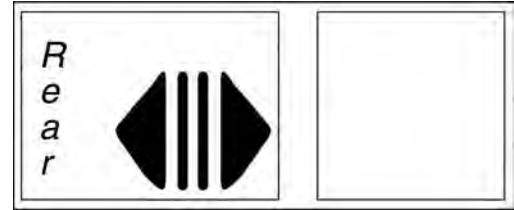


**Door Close Button, Raised White Graphic w/Braille, Electrical Rating: 5A @250 VAC-SPDT
(continued)**

Part No.	Assy. Type	Color	Target	Faceplate Thickness	App.	Related Parts
7069AF43	1	Green	Flush	1.0 mm	MRS, MRVF	Chicklet: B396PB1 Graphic Insert: 250E3 Housing: 396VB1 Lamp: None PC Board: None Reflector: 278EA1 Screw: 124CY4 Socket: None Spring: 94FA1 Switch: 177DA1 Switch Holder: 180DA2 Target: 323DA2
7069AF47	6	Green	Flush	1.0 mm	LRS	Chicklet: B396PB1 Graphic Insert: 250E3 Housing: None Lamp: None PC Board: None Reflector: 278EA1 Screw: 124CY4 Socket: None Spring: 94FA1 Switch: 177DA1 Switch Holder: 180DA2 Target: 323DA2
7069AF120	2	Green	Flush	1.0 mm	EVC	Chicklet: B396PB1 Graphic Insert: 250E3 Housing: 396VB1 Lamp: None PC Board: None Reflector: 278EA1 Screw: 124CY4 Socket: None Spring: 94FA1 Switch: (2) 177DA1 Switch Holder: 180DA1 Target: 323DA2

Part No.	Assy. Type	Color	Target	Faceplate Thickness	App.	Related Parts
7069AF150	6	White	Raised	1.0 mm	MRQ Province of Quebec	Chicklet: B396PB1 Graphic Insert: 250E3 Housing: None Lamp: None PC Board: None Reflector: 278EA1 Screw: 124CY4 Socket: None Spring: 94FA1 Switch: 177DA1 Switch Holder: 180DA2 Target: 323DA5

Pushbuttons



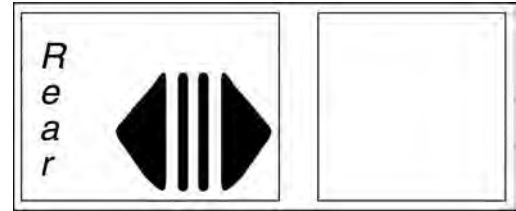
Rear Door Open Button, Raised White Graphic w/White Printed Text

Electrical Rating: 5A @250 VAC-DPDT

Part No.	Assy. Type	Color	Target	Faceplate Thickness	App.	Related Parts
7069AF67	2	Green	Flush	1.0 mm	MRQ	Chicklet: B396PB1 Graphic Insert: 250E38 Housing: 396VB1 Lamp: None PC Board: None Reflector: 278EA1 Screw: 124CY4 Socket: None Spring: 94FA1 Switch: (2) 177DA1 Switch Holder: 180DA1 Target: 323DA2
7069AF69	1	Green	Flush	1.0 mm	MRS	Chicklet: B396PB1 Graphic Insert: 250E38 Housing: 396VB1 Lamp: None PC Board: None Reflector: 278EA1 Screw: 124CY4 Socket: None Spring: 94FA1 Switch: 177DA1 Switch Holder: 180DA2 Target: 323DA2
7069AF71	6	Green	Flush	1.0 mm	LRS	Chicklet: B396PB1 Graphic Insert: 250E38 Housing: None Lamp: None PC Board: None Reflector: 278EA1 Screw: 124CY4 Socket: None Spring: 94FA1 Switch: (2) 177DA1 Switch Holder: 180DA1 Target: 323DA2

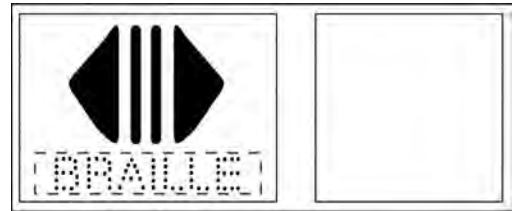
Part No.	Assy. Type	Color	Target	Faceplate Thickness	App.	Related Parts
7069AF90	2	Green	Raised	1.0 mm	E401, MRS California	Chicklet: B396PB1 Graphic Insert: 250E38 Housing: 396VB1 Lamp: None PC Board: None Reflector: 278EA1 Screw: 124CY4 Socket: None Spring: 94FA1 Switch: (2) 177DA1 Switch Holder: 180DA1 Target: 323DA6
7069AF93	1	Green	Raised	1.0 mm	MRS California	Chicklet: B396PB1 Graphic Insert: 250E38 Housing: 396VB1 Lamp: None PC Board: None Reflector: 278EA1 Screw: 124CY4 Socket: None Spring: 94FA1 Switch: 177DA1 Switch Holder: 180DA2 Target: 323DA6
7069AF97	6	Green	Raised	1.0 mm	LRS California	Chicklet: B396PB1 Graphic Insert: 250E38 Housing: None Lamp: None PC Board: None Reflector: 278EA1 Screw: 124CY4 Socket: None Spring: 94FA1 Switch: (2) 177DA1 Switch Holder: 180DA1 Target: 323DA6

Pushbuttons



Rear Door Open Button, Raised White Graphic w/White Printed Text, Electrical Rating: 5A @250 VAC-DPDT (continued)

Part No.	Assy. Type	Color	Target	Faceplate Thickness	App.	Related Parts
7069AF122	2	Green	Flush	1.0 mm	EVC ETO	Chicklet: B396PB1 Graphic Insert: 250E38 Housing: 396VB1 Lamp: None PC Board: None Reflector: 278EA1 Screw: 124CY4 Socket: None Spring: 94FA1 Switch: (2) 177DA1 Switch Holder: 180DA1 Target: 323DA2
7069AF126	2	Green	Raised	1.0 mm	EVC California	Chicklet: B396PB1 Graphic Insert: 250E38 Housing: 396VB1 Lamp: None PC Board: None Reflector: 278EA1 Screw: 124CY4 Socket: None Spring: 94FA1 Switch: (2) 177DA1 Switch Holder: 180DA1 Target: 323DA6
7069AF136	2	White	Flush	1.0 mm	E401, MRS	Chicklet: B396PB1 Graphic Insert: 250E38 Housing: 396VB1 Lamp: None PC Board: None Reflector: 278EA1 Screw: 124CY4 Socket: None Spring: 94FA1 Switch: (2) 177DA1 Switch Holder: 180DA1 Target: 323DA1

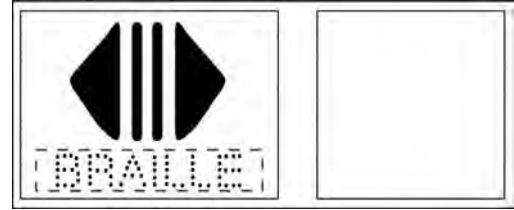


Rear Door Open Button, Raised White Graphic w/Braille

Electrical Rating: 5A @250 VAC-DPDT

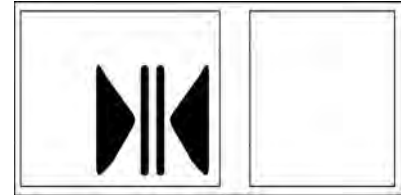
Part No.	Assy. Type	Color	Target	Faceplate Thickness	App.	Related Parts
7069AF219	2	White	Raised	1.0 mm	LHM (French Braille)	Chicklet: B396PB1 Graphic Insert: AAA250G1-FRDO Housing: 396VB1 Lamp: None PC Board: None Reflector: 278EA1 Screw: 124CY4 Socket: None Spring: 94FA1 Switch: (2) 177DA1 Switch Holder: 180DA1 Target: 323DA5
7069AF205	2	White	Raised	1.0 mm	LHM	Chicklet: B396PB1 Graphic Insert: AAA250G1-REARRDO Housing: 396VB1 Lamp: None PC Board: None Reflector: 278EA1 Screw: 124CY4 Socket: None Spring: 94FA1 Switch: (2) 177DA1 Switch Holder: 180DA1 Target: 323DA5

Pushbuttons



**Rear Door Open Button, Raised White Graphic w/Braille,
Electrical Rating: 5A @250 VAC-DPDT (continued)**

Part No.	Assy. Type	Color	Target	Faceplate Thickness	App.	Related Parts
7069AF207	6	White	Raised	1.0 mm	LHM	Chicklet: B396PB1 Graphic Insert: AAA250G1-REARRDO Housing: None Lamp: None PC Board: None Reflector: 278EA1 Screw: 124CY4 Socket: None Spring: 94FA1 Switch: (2) 177DA1 Switch Holder: 180DA1 Target: 323DA5

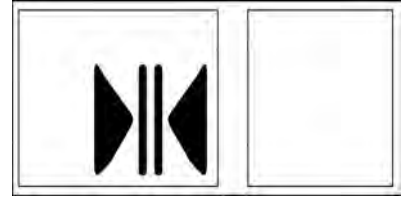


Rear Door Close Button Raised White Graphic

Electrical Rating: 5A @250 VAC-SPDT

Part No.	Assy. Type	Color	Target	Faceplate Thickness	App.	Related Parts
7069AF6	1	Green	Flush	1.0 mm	E401, MRQ	Chicklet: B396PB1 Graphic Insert: 250E4 Housing: 396VB1 Lamp: None PC Board: None Reflector: 278EA1 Screw: 124CY4 Socket: None Spring: 94FA1 Switch: 177DA1 Switch Holder: 180DA2 Target: 323DA2
7069AF21	1	White	Flush	1.0 mm	E401 ETO	Chicklet: B396PB1 Graphic Insert: 250E4 Housing: 396VB1 Lamp: None PC Board: None Reflector: 278EA1 Screw: 124CY4 Socket: None Spring: 94FA1 Switch: (2) 177DA1 Switch Holder: 180DA1 Target: 323DA1

Pushbuttons

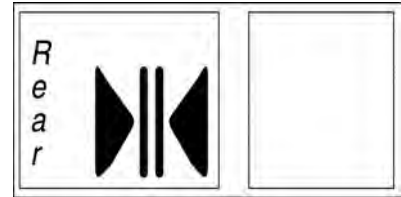


Rear Door Close Button Raised White Graphic, Electrical Rating: 5A @250 VAC-SPDT (continued)

Part No.	Assy. Type	Color	Target	Faceplate Thickness	App.	Related Parts
7069AF27	1	White	Flush	1.5 mm	Geared ETO	Chicklet: B396PB1 Graphic Insert: 250E4 Housing: 396VB2 Lamp: None PC Board: None Reflector: 278EA1 Screw: 124CY4 Socket: None Spring: 94FA1 Switch: 177DA1 Switch Holder: 180DA2 Target: 323DA1
7069AF44	2	Green	Flush	1.0 mm	MRS, MRVF	Chicklet: B396PB1 Graphic Insert: 250E4 Housing: 396VB1 Lamp: None PC Board: None Reflector: 278EA1 Screw: 124CY4 Socket: None Spring: 94FA1 Switch: (2) 177DA1 Switch Holder: 180DA1 Target: 323DA2
7069AF48	6	Green	Flush	1.0 mm	LRS	Chicklet: B396PB1 Graphic Insert: 250E4 Housing: None Lamp: None PC Board: None Reflector: 278EA1 Screw: 124CY4 Socket: None Spring: 94FA1 Switch: (2) 177DA1 Switch Holder: 180DA1 Target: 323DA2

Part No.	Assy. Type	Color	Target	Faceplate Thickness	App.	Related Parts
7069AF121	1	Green	Flush	1.0 mm	EVC	Chicklet: B396PB1 Graphic Insert: 250E4 Housing: 396VB1 Lamp: None PC Board: None Reflector: 278EA1 Screw: 124CY4 Socket: None Spring: 94FA1 Switch: (2) 177DA1 Switch Holder: 180DA2 Target: 323DA2
7069AF149	6	White	Raised	1.0 mm	MRQ Province of Quebec	Chicklet: B396PB1 Graphic Insert: 250E4 Housing: None Lamp: None PC Board: None Reflector: 278EA1 Screw: 124CY4 Socket: None Spring: 94FA1 Switch: 177DA1 Switch Holder: 180DA2 Target: 323DA5

Pushbuttons



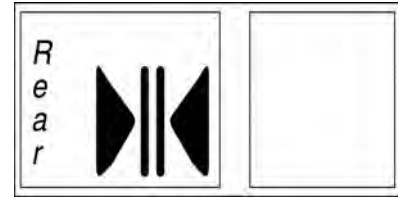
Rear Door Close Button, Raised White Graphic w/White Printed Text

Electrical Rating: 5A @250 VAC-SPDT

Part No.	Assy. Type	Color	Target	Faceplate Thickness	App.	Related Parts
7069AF68	1	Green	Flush	1.0 mm	E401, MRQ	Chicklet: B396PB1 Graphic Insert: 250E39 Housing: 396VB1 Lamp: None PC Board: None Reflector: 278EA1 Screw: 124CY4 Socket: None Spring: 94FA1 Switch: 177DA1 Switch Holder: 180DA2 Target: 323DA2
7069AF70	2	Green	Flush	1.0 mm	MRS	Chicklet: B396PB1 Graphic Insert: 250E39 Housing: 396VB1 Lamp: None PC Board: None Reflector: 278EA1 Screw: 124CY4 Socket: None Spring: 94FA1 Switch: (2) 177DA1 Switch Holder: 180DA1 Target: 323DA2
7069AF72	6	Green	Flush	1.0 mm	LRS	Chicklet: B396PB1 Graphic Insert: 250E39 Housing: None Lamp: None PC Board: None Reflector: 278EA1 Screw: 124CY4 Socket: None Spring: 94FA1 Switch: (2) 177DA1 Switch Holder: 180DA1 Target: 323DA2

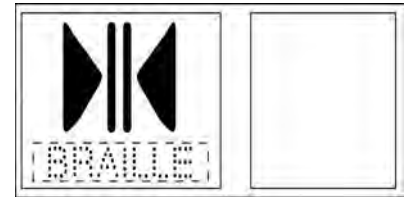
Part No.	Assy. Type	Color	Target	Faceplate Thickness	App.	Related Parts
7069AF91	1	Green	Raised	1.0 mm	E401 California	Chicklet: B396PB1 Graphic Insert: 250E39 Housing: 396VB1 Lamp: None PC Board: None Reflector: 278EA1 Screw: 124CY4 Socket: None Spring: 94FA1 Switch: 177DA1 Switch Holder: 180DA2 Target: 323DA6
7069AF94	2	Green	Raised	1.0 mm	MRS California	Chicklet: B396PB1 Graphic Insert: 250E39 Housing: 396VB1 Lamp: None PC Board: None Reflector: 278EA1 Screw: 124CY4 Socket: None Spring: 94FA1 Switch: (2) 177DA1 Switch Holder: 180DA1 Target: 323DA6
7069AF98	6	Green	Raised	1.0 mm	LRS California	Chicklet: B396PB1 Graphic Insert: 250E39 Housing: None Lamp: None PC Board: None Reflector: 278EA1 Screw: 124CY4 Socket: None Spring: 94FA1 Switch: (2) 177DA1 Switch Holder: 180DA1

Pushbuttons



**Rear Door Close Button, Raised White Graphic w/White Printed Text,
Electrical Rating: 5A @250 VAC-SPDT (continued)**

Part No.	Assy. Type	Color	Target	Faceplate Thickness	App.	Related Parts
7069AF123	1	Green	Flush	1.0 mm	EVC ETO	Chicklet: B396PB1 Graphic Insert: 250E39 Housing: 396VB1 Lamp: None PC Board: None Reflector: 278EA1 Screw: 124CY4 Socket: None Spring: 94FA1 Switch: 177DA1 Switch Holder: 180DA2 Target: 323DA2
7069AF127	1	Green	Raised	1.0 mm	EVC California	Chicklet: B396PB1 Graphic Insert: 250E39 Housing: 396VB1 Lamp: None PC Board: None Reflector: 278EA1 Screw: 124CY4 Socket: None Spring: 94FA1 Switch: 177DA1 Switch Holder: 180DA2 Target: 323DA6
7069AF137	1	White	Flush	1.0 mm	EVC	Chicklet: B396PB1 Graphic Insert: 250E39 Housing: 396VB1 Lamp: None PC Board: None Reflector: 278EA1 Screw: 124CY4 Socket: None Spring: 94FA1 Switch: 177DA1 Switch Holder: 180DA2

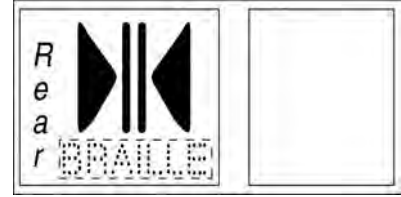


Rear Door Close Button, Raised White Graphic w/Braille

Electrical Rating: 5A @250 VAC-SPDT

Part No.	Assy. Type	Color	Target	Faceplate Thickness	App.	Related Parts
7069AF220	1	White	Raised	1.0 mm	LHM (French)	Chicklet: B396PB1 Graphic Insert: AAA250G1-FRDC Housing: 396VB1 Lamp: None PC Board: None Reflector: 278EA1 Screw: 124CY4 Socket: None Spring: 94FA1 Switch: 177DA1 Switch Holder: 180DA2 Target: 323DA5

Pushbuttons



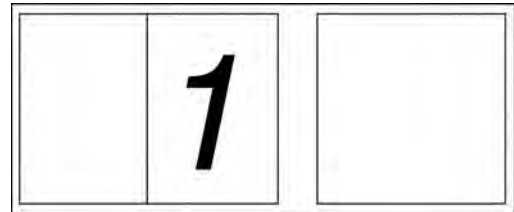
Rear Door Close Button, Raised White Graphic w/Braille & Printed Text

Electrical Rating: 5A @250 VAC-SPDT

Part No.	Assy. Type	Color	Target	Faceplate Thickness	App.	Related Parts
7069AF206	1	White	Raised	1.0 mm	LHM	Chicklet: B396PB1 Graphic Insert: AAA250G1-REARRDC Housing: 396VB1 Lamp: None PC Board: None Reflector: 278EA1 Screw: 124CY4 Socket: None Spring: 94FA1 Switch: 177DA1 Switch Holder: 180DA2 Target: 323DA5

Electrical Rating: 5A @250 VAC-DPDT

Part No.	Assy. Type	Color	Target	Faceplate Thickness	App.	Related Parts
7069AF208	6	White	Raised	1.0 mm	LHM	Chicklet: B396PB1 Graphic Insert: AAA250G1-REARRDC Housing: None Lamp: None PC Board: None Reflector: 278EA1 Screw: 124CY4 Socket: None Spring: 94FA1 Switch: 177DA1 Switch Holder: 180DA1 Target: 323DA5



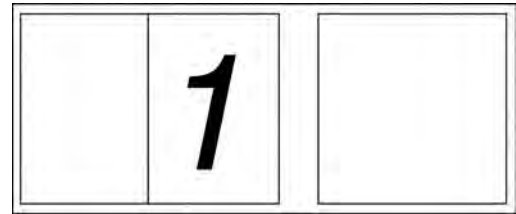
Floor Button, Single Digit, Raised White Graphic, Illuminated Target

Electrical Rating: N/A

Part No.	Assy. Type	Color	Target	Faceplate Thickness	App.	Related Parts
7069AF1	5	White	Flush	1.0 mm	E401 Interface for COP, 9-Switch PCB	Chicklet: B396PB1 Graphic Insert: 250D* Housing: None Lamp: None PC Board: None Reflector: 278EA1 Screw: 124CY2 Socket: None Spring: 94FA1 Switch: None Switch Holder: None Target: 323DA1
7069AF87	5	White	Raised	1.0 mm	E401 Interface for COP, 9-Switch PCB	Chicklet: B396PB1 Graphic Insert: 250D* Housing: None Lamp: None PC Board: None Reflector: 278EA1 Screw: 124CY2 Socket: None Spring: 94FA1 Switch: None Switch Holder: None Target: 323DA5

* NOTE: 250D* indicates that the snap-in inserts for the numerals, must be ordered separately. The Single or Double digit floor buttons of this type do not automatically come with the snap-in inserts type 250D__.

Pushbuttons



Floor Button, Single Digit, Raised White Graphic, Illuminated Target (continued)

Electrical Rating: 24 VDC

Part No.	Assy. Type	Color	Target	Faceplate Thickness	Illumination	App.	Related Parts
7069AF16	2	White	Flush	1.0 mm	Incandescent	Geared ETO	Chicklet: B396PB1 Graphic Insert: 250D* Housing: None Lamp: None PC Board: None Reflector: 278EA1 Screw: 124CY2 Socket: None Spring: 94FA1 Switch: None Switch Holder: None Target: 323DA1
7069AF22	4	White	Flush	1.5 mm	Incandescent	Geared ETO	Chicklet: B396PB1 Graphic Insert: 250D* Housing: None Lamp: None PC Board: None Reflector: 278EA1 Screw: 124CY2 Socket: None Spring: 94FA1 Switch: None Switch Holder: None Target: 323DA1

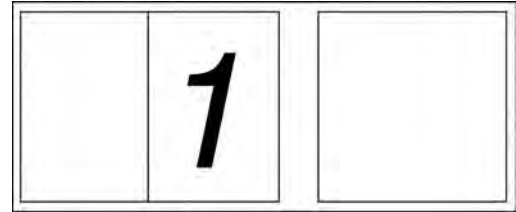
*NOTE: See note on page 69 speaking to 250D selection.

Electrical Rating: 30 VDC

Part No.	Assy. Type	Color	Target	Faceplate Thickness	Illumination	App.	Related Parts
7069AF53 *Use AF54	6	White	Flush	1.0 mm	Incandescent	LRV3	Chicklet: B396PB1 Graphic Insert: 250D* Housing: None Lamp: 424R1 PC Board: 8200KA1 Reflector: 278EA1 Screw: 124CY4 Socket: 467AT1 Spring: 94FA1 Switch: on PCB Switch Holder: None Target: 323DA1
7069AF59 *Use AF60	6	White	Flush	1.1 mm	Incandescent	LRS3, LRV3	Chicklet: B396PB1 Graphic Insert: 250D* Housing: None Lamp: 424R1 PC Board: 8200KA2 Reflector: 278EA1 Screw: 124CY4 Socket: 467AT1 Spring: 94FA1 Switch: on PCB Switch Holder: None Target: 323DA1
7069AF75 *Use AF76	6	White	Flush	1.0 mm	Orange LED	LRS, LRS3, LRV, LRV4, LRV5L	Chicklet: B396PB1 Graphic Insert: 250D* Housing: None Lamp: AAA629BD2 PC Board: 8200KA4 Reflector: 278EA1 Screw: 124CY4 Socket: 467AT1 Spring: 94FA1 Switch: on PCB Switch Holder: None Target: 323DA1

*NOTE: See note on page 69 speaking to 250D selection.

Pushbuttons



Floor Button, Single Digit, Raised White Graphic, Illuminated Target
Electrical Rating: 30 VDC (continued)

Part No.	Assy. Type	Color	Target	Faceplate Thickness	Illumination	App.	Related Parts
7069AF95	6	White	Raised	1.0 mm	Orange LED	LRS3, LRV5, LRV4	Chicklet: B396PB1 Graphic Insert: 250D* Housing: None Lamp: AAA629BD2 PC Board: 8200KA4 Reflector: 278EA1 Screw: 124CY4 Socket: 467AT1 Spring: 94FA1 Switch: on PCB Switch Holder: None Target: 323DA5
7069AF99	6	White	Raised	1.0 mm	Incandescent	LRV4	Chicklet: B396PB1 Graphic Insert: 250D* Housing: None Lamp: 424R1 PC Board: 8200KA2 Reflector: 278EA1 Screw: 124CY4 Socket: 467AT1 Spring: 94FA1 Switch: on PCB Switch Holder: None Target: 323DA5

*NOTE: See note on page 69 speaking to 250D selection.

Electrical Rating: 48 VDC

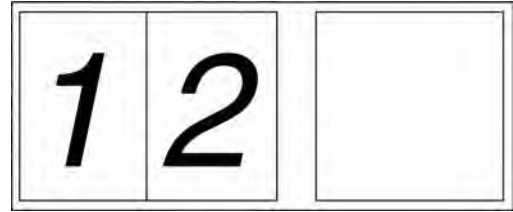
Part No.	Assy. Type	Color	Target	Faceplate Thickness	Illumination	App.	Related Parts
7069AF49 *Use AF50	6	White	Flush	1.0 mm	Incandescent	MRVF	Chicklet: B396PB1 Graphic Insert: 250D* Housing: None Lamp: 424R1 PC Board: 8200AL1 Reflector: 278EA1 Screw: 124CY5 Socket: 467AT1 Spring: 94FA1 Switch: 177DA1 Switch Holder: 180DA2 Target: 323DA1

Electrical Rating: 115 VAC

Part No.	Assy. Type	Color	Target	Faceplate Thickness	Illumination	App.	Related Parts
7069AF39 *Use AF40	6	White	Flush	1.0 mm	Neon	LRV2, MRS, LRS	Chicklet: B396PB1 Graphic Insert: 250D* Housing: None Lamp: on PCB PC Board: 8200AL3 Reflector: 278EA1 Screw: 124CY5 Socket: None Spring: 94FA1 Switch: 177DA1 Switch Holder: 180DA2 Target: 323DA1
7069AF92	6	White	Raised	1.0 mm	Neon	MRS	Chicklet: B396PB1 Graphic Insert: 250D* Housing: None Lamp: on PCB PC Board: 8200AL3 Reflector: 278EA1 Screw: 124CY4 Socket: None Spring: 94FA1 Switch: 177DA1 Switch Holder: 180DA2 Target: 323DA5

*NOTE: See note on page 69 speaking to 250D selection.

Pushbuttons



Floor Button, Double Digit Raised White Graphic Illuminated Target

Electrical Rating: NA

Part No.	Assy. Type	Color	Target	Faceplate Thickness	Illumination	App.	Related Parts
7069AF2	5	White	Flush	1.0 mm		E401 Interface for 9-Switch PCB	Chicklet: B396PB1 Graphic Insert: 250D* Housing: None Lamp: None PC Board: None Reflector: 278EA1 Screw: 124CY2 Socket: None Spring: 94FA1 Switch: None Switch Holder: None Target: 323DA1

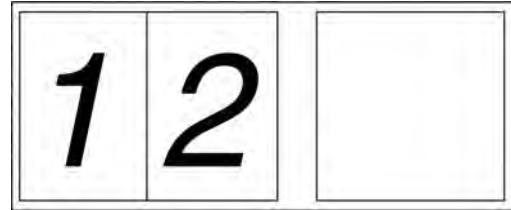
*NOTE: See note on page 69 speaking to 250D selection.

Electrical Rating: 24 VDC

Part No.	Assy. Type	Color	Target	Faceplate Thickness	Illumination	App.	Related Parts
7069AF17	6	White	Flush	1.0 mm	Incandescent	Geared ETO	Chicklet: B396PB1 Graphic Insert: 250D* Housing: None Lamp: 424R1 PC Board: 8200AL2 Reflector: 278EA1 Screw: 124CY5 Socket: 467AT1 Spring: 94FA1 Switch: 177DA1 Switch Holder: 180DA2 Target: 323DA1
7069AF23	4	White	Flush	1.5 mm	Incandescent	Geared ETO	Chicklet: B396PB1 Graphic Insert: 250D* Housing: 396VB2 Lamp: 424R1 PC Board: 8200AL2 Reflector: 278EA1 Screw: 124CY5 Socket: 467AT1 Spring: 94FA1 Switch: 177DA1 Switch Holder: 180DA2 Target: 323DA1

*NOTE: See note on page 69 speaking to 250D selection.

Pushbuttons



Floor Button, Double Digit Raised White Graphic Illuminated Target (continued)

Electrical Rating: 30 VDC

Part No.	Assy. Type	Color	Target	Faceplate Thickness	Illumination	App.	Related Parts
7069AF54 Replaces AF53	6	White	Flush	1.0 mm	Incandescent	LRV3	Chicklet: B396PB1 Graphic Insert: 250D* Housing: None Lamp: 424R1 PC Board: 8200KA1 Reflector: 278EA1 Screw: 124CY5 Socket: 467AT1 Spring: 94FA1 Switch: 177DA1 Switch Holder: 180DA2 Target: 323DA1
7069AF60 Replaces AF59	6	White	Flush	1.0 mm	Incandescent	LRS, LRV3	Chicklet: B396PB1 Graphic Insert: 250D* Housing: None Lamp: 424R1 PC Board: 8200KA2 Reflector: 278EA1 Screw: 124CY4 Socket: 467AT1 Spring: 94FA1 Switch: On PCB Switch Holder: None Target: 323DA1
7069AF76 Replaces AF75	6	White	Flush	1.0 mm	Orange LED	LRV4, LRV5, LRS3	Chicklet: B396PB1 Graphic Insert: 250D* Housing: None Lamp: AAA629BD2 PC Board: 8200KA4 Reflector: 278EA1 Screw: 124CY4 Socket: 467AT1 Spring: 94FA1 Switch: on PCB Switch Holder: None Target: 323DA1

*NOTE: See note on page 69 speaking to 250D selection.

Electrical Rating: 30 VDC (continued)

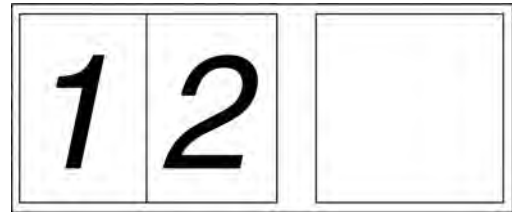
Part No.	Assy. Type	Color	Target	Faceplate Thickness	Illumination	App.	Related Parts
7069AF96	6	White	Raised	1.0 mm	Orange LED	LRS3, LRV5	Chicklet: B396PB1 Graphic Insert: 250D* Housing: None Lamp: AAA629BD2 PC Board: 8200KA4 Reflector: 278EA1 Screw: 124CY4 Socket: 467AT1 Spring: 94FA1 Switch: 177DA1 Switch Holder: 180DA2 Target: 323DA5

Electrical Rating: 48 VDC

Part No.	Assy. Type	Color	Target	Faceplate Thickness	Illumination	App.	Related Parts
7069AF50 Replaces AF49	6	White	Flush	1.0 mm	Incandescent	MRVF	Chicklet: B396PB1 Graphic Insert: 250D* Housing: None Lamp: 424R1 PC Board: 8200AL1 Reflector: 278EA1 Screw: 124CY5 Socket: 467AT1 Spring: 94FA1 Switch: 177DA1 Switch Holder: 180DA2 Target: 323DA1

*NOTE: See note on page 69 speaking to 250D selection.

Pushbuttons

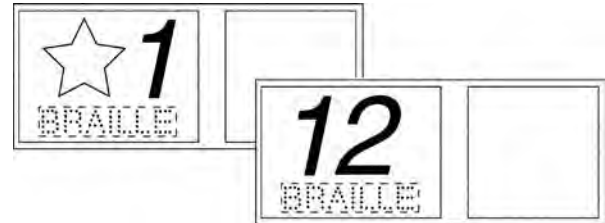


Floor Button, Double Digit Raised White Graphic Illuminated Target (continued)

Electrical Rating: 115 VAC

Part No.	Assy. Type	Color	Target	Faceplate Thickness	Illumination	App.	Related Parts
7069AF40 Replaces AF39	6	White	Flush	1.0 mm	Neon	MRVF, MRS, LRV2, LRS	Chicklet: B396PB1 Graphic Insert: 250D* Housing: None Lamp: On PCB PC Board: 8200AL3 Reflector: 278EA1 Screw: 124CY5 Socket: None Spring: 94FA1 Switch: 177DA1 Switch Holder: 180DA2 Target: 323DA1

*NOTE: See note on page 69 speaking to 250D selection.

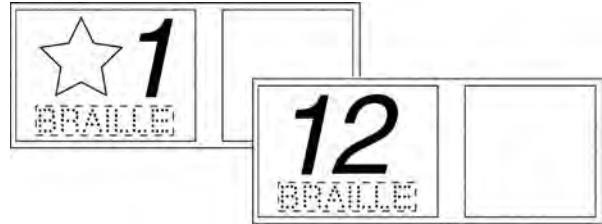


Floor Button, Single or Double Digit Raised White Graphic Illuminated Target

Electrical Rating: 30 VDC

Part No.	Assy. Type	Color	Target	Faceplate Thickness	Illumination	App.	Related Parts
7069AF200	3	White	Raised	3.2 mm	Orange LED	Applied COP	Chicklet: B396PB1 Graphic Insert: 250G* Housing: 396VB3 Lamp: AAA629BD2 PC Board: 8200KA4 Reflector: 278EA1 Screw: 124CY4 Socket: 467AT_ Spring: 94FA1 Switch: On PCB Switch Holder: None Target: 323DA5
7069AF224	3	White	Raised	1.0 mm	Red/ Green (white) LED	LHM, LRVSL, LHML2ST	Chicklet: B396PB1 Graphic Insert: 250G* Housing: None Lamp: On PCB PC Board: AAA26800PZ2 Reflector: 278EA1 Screw: 124CY4 Socket: None Spring: 94FA1 Switch: On PCB Switch Holder: None Target: 323DA5

Pushbuttons



Floor Button, Single or Double Digit Raised White Graphic w/Braille and Illuminated Target

Electrical Rating: 30 VDC

Part No.	Assy. Type	Color	Target	Faceplate Thickness	Illumination	App.	Related Parts
7069AF235	6	White	Raised	1.0 mm	Various LED	Mod	Chicklet: B396PB1 Graphic Insert: 250G* Housing: None Lamp: AAA629** PC Board: CAA8200A3 Reflector: 278EA1 Screw: 124CY4 Socket: 467AT_ Spring: 94FA1 Switch: 177DA1 Switch Holder: 180DA2 Target: 323DA5

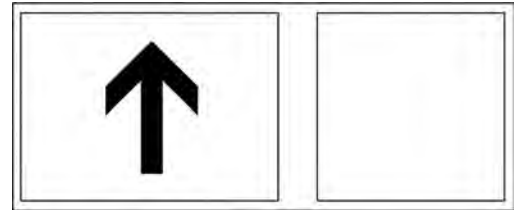
Electrical Rating: 110 VDC

Part No.	Assy. Type	Color	Target	Faceplate Thickness	Illumination	App.	Related Parts
7069AF232	6	White	Raised	1.0 mm	Various LED	Mod	Chicklet: B396PB1 Graphic Insert: 250G* Housing: None Lamp: AAA629** PC Board: CAA8200A2 Reflector: 278EA1 Screw: 124CY4 Socket: 467AT_ Spring: 94FA1 Switch: 177DA1 Switch Holder: 180DA2 Target: 323DA5

Electrical Rating: 110 VAC

Part No.	Assy. Type	Color	Target	Faceplate Thickness	Illumination	App.	Related Parts
7069AF229	6	White	Raised	1.0 mm	Various LED	Mod	Chicklet: B396PB1 Graphic Insert: 250G* Housing: None Lamp: AAA629** PC Board: CAA8200A1 Reflector: 278EA1 Screw: 124CY4 Socket: 467AT_ Spring: 94FA1 Switch: 177DA1 Switch Holder: 180DA2 Target: 323DA5

Pushbuttons



Hall Call, Up Button, Raised White Graphic, Illuminated Target

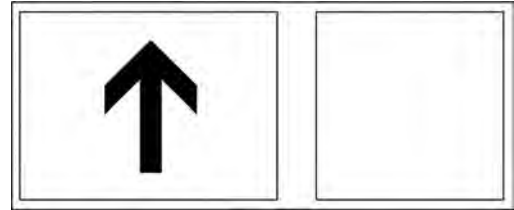
Electrical Rating: 15 VAC

Part No.	Assy. Type	Color	Target	Faceplate Thickness	Illumination	App.	Related Parts
7069AF45	4	White	Flush	1.0 mm	Neon	MRS, LRS, LRV2	Chicklet: B396PB1 Graphic Insert: 250E25 Housing: 396VB1 Lamp: On PCB PC Board: CAA8200A1 Reflector: 278EA1 Screw: 124CY5 Socket: None Spring: 94FA1 Switch: 177DA1 Switch Holder: 180DA2 Target: 323DA1

Electrical Rating: 24 VDC

Part No.	Assy. Type	Color	Target	Faceplate Thickness	Illumination	App.	Related Parts
7069AF14	4	White	Flush	1.0 mm	Incandescent	Geared ETO	Chicklet: B396PB1 Graphic Insert: 250E25 Housing: 396VB1 Lamp: 424R1 PC Board: 8200AL2 Reflector: 278EA1 Screw: 124CY5 Socket: 467AT1 Spring: 94FA1 Switch: 177DA1 Switch Holder: 180DA2 Target: 323DA1
7069AF33	4	White	Flush	1.5 mm	Incandescent	Geared ETO	Chicklet: B396PB1 Graphic Insert: 250E25 Housing: 396VB2 Lamp: 424R1 PC Board: 8200AL2 Reflector: 278EA1 Screw: 124CY5 Socket: 467AT1 Spring: 94FA1 Switch: 177DA1 Switch Holder: 180DA2 Target: 323DA1
7069AF61	4	White	Flush	3.2 mm	Incandescent	Geared ETO	Chicklet: B396PB1 Graphic Insert: 250E25 Housing: 396VB3 Lamp: 424R1 PC Board: 8200AL2 Reflector: 278EA1 Screw: 124CY5 Socket: 467AT3 Spring: 94FA1 Switch: 177DA1 Switch Holder: 180DA2 Target: 323DA1

Pushbuttons



Hall Call, Up Button, Raised White Graphic, Illuminated Target (continued)

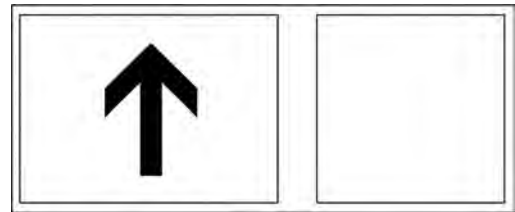
Electrical Rating: 48 VDC

Part No.	Assy. Type	Color	Target	Faceplate Thickness	Illumination	App.	Related Parts
7069AF51	4	White	Flush	1.0 mm	Incandescent	MRVF	Chicklet: B396PB1 Graphic Insert: 250E25 Housing: 396VB1 Lamp: 424R1 PC Board: 8200AL1 Reflector: 278EA1 Screw: 124CY5 Socket: 467AT1 Spring: 94FA1 Switch: 177DA1 Switch Holder: 180DA2 Target: 323DA1

Electrical Rating: 115 VAC

Part No.	Assy. Type	Color	Target	Faceplate Thickness	Illumination	App.	Related Parts
7069AF65	4	White	Flush	3.2 mm	Neon	MRS	Chicklet: B396PB1 Graphic Insert: 250E25 Housing: 396VB3 Lamp: On PCB PC Board: 8200AL3 Reflector: 278EA1 Screw: 124CY5 Socket: None Spring: 94FA1 Switch: 177DA1 Switch Holder: 180DA2 Target: 323DA1
7069AF83	4	White	Raised	1.0 mm	Red Neon	MRS	Chicklet: B396PB1 Graphic Insert: 250E25 Housing: 396VB3 Lamp: On PCB PC Board: 8200AL3 Reflector: 278EA1 Screw: 124CY5 Socket: None Spring: 94FA1 Switch: 177DA1 Switch Holder: 180DA2 Target: 323DA1
7069AF85	4	White	Raised	3.2 mm	Neon	MRS	Chicklet: B396PB1 Graphic Insert: 250E25 Housing: 396VB3 Lamp: On PCB PC Board: 8200AL3 Reflector: 278EA1 Screw: 124CY5 Socket: None Spring: 94FA1 Switch: 177DA1 Switch Holder: 180DA2 Target: 323DA5

Pushbuttons



Hall Call, Up Button, Raised White Graphic, Illuminated Target (continued)

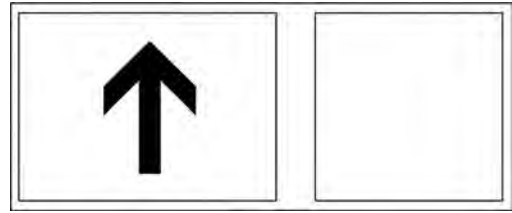
Electrical Rating: 30 VDC

Part No.	Assy. Type	Color	Target	Faceplate Thickness	Illumination	App.	Related Parts
7069AF11	3	White	Flush	1.0 mm	Incandescent	E401, LRS, LRV3, LRV4	Chicklet: B396PB1 Graphic Insert: 250E25 Housing: 396VB1 Lamp: 424R1 PC Board: 8200KA1 Reflector: 278EA1 Screw: 124CY4 Socket: 467AT1 Spring: 94FA1 Switch: on PCB Switch Holder: None Target: 323DA1
7069AF31	3	White	Flush	1.5 mm	Incandescent	E401 ETO	Chicklet: B396PB1 Graphic Insert: 250E25 Housing: 396VB2 Lamp: 424R1 PC Board: 8200KA1 Reflector: 278EA1 Screw: 124CY4 Socket: 467AT1 Spring: 94FA1 Switch: on PCB Switch Holder: None Target: 323DA1
7069AF55	3	White	Flush	3.2 mm	Incandescent	E401, LRS	Chicklet: B396PB1 Graphic Insert: 250E25 Housing: 396VB3 Lamp: 424R1 PC Board: 8200KA1 Reflector: 278EA1 Screw: 124CY4 Socket: 467AT1 Spring: 94FA1 Switch: on PCB Switch Holder: None

Electrical Rating: 30 VDC (continued)

Part No.	Assy. Type	Color	Target	Faceplate Thickness	Illumination	App.	Related Parts
7069AF63	3	White	Flush	1.0 mm	Incandescent		Chicklet: B396PB1 Graphic Insert: 250E25 Housing: 396VB1 Lamp: 424R1 PC Board: 8200KA2 Reflector: 278EA1 Screw: 124CY4 Socket: 467AT1 Spring: 94FA1 Switch: on PCB Switch Holder: None Target: 323DA1
7069AF73	3	White	Flush	1.0 mm	Orange LED	LRV5L, LRV4L, LRV5	Chicklet: B396PB1 Graphic Insert: 250E25 Housing: 396VB1 Lamp: AAA629BD2 PC Board: 8200KA4 Reflector: 278EA1 Screw: 124CY4 Socket: 467AT1 Spring: 94FA1 Switch: on PCB Switch Holder: None Target: 323DA1
7069AF77	3	White	Flush	1.0 mm	Orange LED	LRS3, LRV4	Chicklet: B396PB1 Graphic Insert: 250E25 Housing: 396VB1 Lamp: AAA629BD2 PC Board: 8200KA3 Reflector: 278EA1 Screw: 124CY4 Socket: 467AT1 Spring: 94FA1 Switch: on PCB Switch Holder: None Target: 323DA1

Pushbuttons



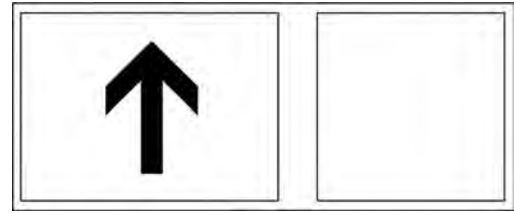
**Hall Call, Up Button, Raised White Graphic, Illuminated Target, Electrical Rating: 30 VDC
(continued)**

Part No.	Assy. Type	Color	Target	Faceplate Thickness	Illumination	App.	Related Parts
7069AF79	3	White	Raised	1.0 mm	Incandescent	E401	Chicklet: B396PB1 Graphic Insert: 250E25 Housing: 396VB1 Lamp: 424R1 PC Board: 8200KA1 Reflector: 278EA1 Screw: 124CY4 Socket: 467AT1 Spring: 94FA1 Switch: on PCB Switch Holder: None Target: 323DA5
7069AF81	3	White	Raised	3.2 mm	Incandescent	E401	Chicklet: B396PB1 Graphic Insert: 250E25 Housing: 396VB3 Lamp: 424R1 PC Board: 8200KA1 Reflector: 278EA1 Screw: 124CY4 Socket: 467AT1 Spring: 94FA1 Switch: on PCB Switch Holder: None Target: 323DA5
7069AF108	3	White	Raised	1.0 mm	Orange LED	LRV5L, LRV4L, LRV5, LHM, LHML2ST	Chicklet: B396PB1 Graphic Insert: 250E25 Housing: 396VB1 Lamp: AAA629BD2 PC Board: 8200KA4 Reflector: 278EA1 Screw: 124CY4 Socket: 467AT1 Spring: 94FA1 Switch: on PCB Switch Holder: None Target: 323DA5

Electrical Rating: 30 VDC (continued)

Part No.	Assy. Type	Color	Target	Faceplate Thickness	Illumination	App.	Related Parts
7069AF110	3	White	Raised	1.0 mm	Orange LED	LRS3, LRV4, LRS	Chicklet: B396PB1 Graphic Insert: 250E25 Housing: 396VB1 Lamp: AAA629BD2 PC Board: 8200KA3 Reflector: 278EA1 Screw: 124CY4 Socket: 467AT1 Spring: 94FA1 Switch: on PCB Switch Holder: None Target: 323DA5
7069AF113	3	White	Raised	1.0 mm	Incandescent	LRV4L	Chicklet: B396PB1 Graphic Insert: 250E25 Housing: 396VB1 Lamp: 424R1 PC Board: 8200KA2 Reflector: 278EA1 Screw: 124CY4 Socket: 467AT1 Spring: 94FA1 Switch: on PCB Switch Holder: None Target: 323DA5
7069AF114	3	White	Flush	3.2 mm	Orange LED	LRS3	Chicklet: B396PB1 Graphic Insert: 250E25 Housing: 396VB3 Lamp: AAA629BD2 PC Board: 8200KA3 Reflector: 278EA1 Screw: 124CY4 Socket: 467AT1 Spring: 94FA1 Switch: on PCB Switch Holder: None Target: 323DA1

Pushbuttons

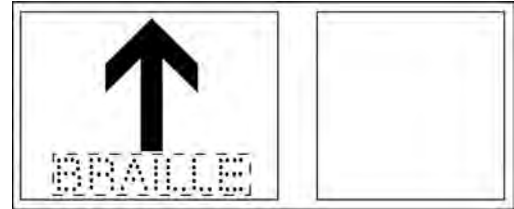


Hall Call, Up Button, Raised White Graphic, Illuminated Target, Electrical Rating: 30 VDC (continued)

Part No.	Assy. Type	Color	Target	Faceplate Thickness	Illumination	App.	Related Parts
7069AF116	3	White	Raised	1.0 mm	Orange LED	LRS3	Chicklet: B396PB1 Graphic Insert: 250E25 Housing: 396VB3 Lamp: AAA629BD2 PC Board: 8200KA3 Reflector: 278EA1 Screw: 124CY4 Socket: 467AT1 Spring: 94FA1 Switch: on PCB Switch Holder: None Target: 323DA5
7069AF154	3	White	Raised	1.0 mm	Red / Green (white) LED	LRS3	Chicklet: B396PB1 Graphic Insert: 250E25 Housing: 396VB1 Lamp: on PCB PC Board: AAA26800PZ1 Reflector: 278EA1 Screw: 124CY4 Socket: None Spring: 94FA1 Switch: on PCB Switch Holder: None Target: 323DA5
7069AF155	3	White	Raised	1.0 mm	Red / Green (white) LED	LHM, LRV5, LRV5L, LHML2ST	Chicklet: B396PB1 Graphic Insert: 250E25 Housing: 396VB3 Lamp: on PCB PC Board: AAA26800PZ2 Reflector: 278EA1 Screw: 124CY4 Socket: None Spring: 94FA1 Switch: on PCB Switch Holder: None Target: 323DA5

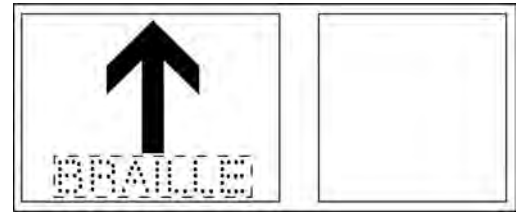
Hall Call, Up Button, Raised White Graphic w/Braille, Illuminated Target

Electrical Rating: 30 VDC



Part No.	Assy. Type	Color	Target	Faceplate Thickness	Illumination	App.	Related Parts
7069AF211	3	White	Raised	1.0 mm	Orange LED	LHM, LRV5L, LHML2ST	Chicklet: B396PB1 Graphic Insert: AAA250G1-UPARROW Housing: 396VB1 Lamp: AAA629BD2 PC Board: 8200KA1 Reflector: 278EA1 Screw: 124CY4 Socket: 467AT1 Spring: 94FA1 Switch: on PCB Switch Holder: None Target: 323DA5
7069AF213	3	White	Raised	1.0 mm	Orange LED	LRS3, LRS	Chicklet: B396PB1 Graphic Insert: AAA250G1-UPARROW Housing: 396VB3 Lamp: AAA629BD2 PC Board: 8200KA3 Reflector: 278EA1 Screw: 124CY4 Socket: 467AT1 Spring: 94FA1 Switch: on PCB Switch Holder: None Target: 323DA5
7069AF215	3	White	Raised	3.2 mm	Orange LED	LRS3	Chicklet: B396PB1 Graphic Insert: AAA250G1-UPARROW Housing: 396VB3 Lamp: AAA629BD2 PC Board: 8200KA3 Reflector: 278EA1 Screw: 124CY4 Socket: 467AT1 Spring: 94FA1 Switch: on PCB Switch Holder: None Target: 323DA5

Pushbuttons



**Hall Call, Up Button, Raised White Graphic w/Braille, Illuminated Target,
Electrical Rating: 30 VDC (continued)**

Part No.	Assy. Type	Color	Target	Faceplate Thickness	Illumination	App.	Related Parts
7069AF225	3	White	Raised	1.0 mm	Orange LED	LHM, LRV5L, LHML2ST	Chicklet: B396PB1 Graphic Insert: AAA250G1-UPARROW Housing: 396VB1 Lamp: AAA629BD2 PC Board: AAA26800PZ2 Reflector: 278EA1 Screw: 124CY4 Socket: None Spring: 94FA1 Switch: on PCB Switch Holder: None Target: 323DA5
7069AF227	3	White	Raised	1.0 mm	Red / Green (white) LED	LRS3, LRS	Chicklet: B396PB1 Graphic Insert: AAA250G1-UPARROW Housing: 396VB1 Lamp: On PCB PC Board: AAA26800PZ1 Reflector: 278EA1 Screw: 124CY4 Socket: None Spring: 94FA1 Switch: on PCB Switch Holder: None Target: 323DA5

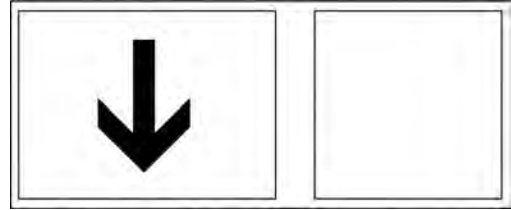
Electrical Rating: 30 VDC (continued)

Part No.	Assy. Type	Color	Target	Faceplate Thickness	Illumination	App.	Related Parts
7069AF230	3	White	Raised	1.0 mm	Various LED		Chicklet: B396PB1 Graphic Insert: AAA250G1-UPARROW Housing: None Lamp: AAA629* PC Board: CAA8200A1 Reflector: 278EA1 Screw: 124CY4 Socket: 467AT1 Spring: 94FA1 Switch: 177DA1 Switch Holder: None Target: 323DA5
7069AF236	3	White	Raised	1.0 mm	Various LED	LHM, LRV5L, LHML2ST	Chicklet: B396PB1 Graphic Insert: AAA250G1-UPARROW Housing: None Lamp: AAA629* PC Board: CAA8200A3 Reflector: 278EA1 Screw: 124CY4 Socket: 467AT1 Spring: 94FA1 Switch: 177DA1 Switch Holder: 180DA2 Target: 323DA5

Electrical Rating: 110 VDC

Part No.	Assy. Type	Color	Target	Faceplate Thickness	Illumination	App.	Related Parts
7069AF233	3	White	Raised	1.0 mm	Orange LED	Various LED	Chicklet: B396PB1 Graphic Insert: AAA250G1-UPARROW Housing: 396VB3 Lamp: AAA629* PC Board: CAA8200A2 Reflector: 278EA1 Screw: 124CY4 Socket: 467AT1 Spring: 94FA1 Switch: 177DA1 Switch Holder: 180DA2 Target: 323DA5

Pushbuttons



Hall Call, Down Button, Raised White Graphic, Illuminated Target

Electrical Rating: N/A

Part No.	Assy. Type	Color	Target	Faceplate Thickness	Illumination	App.	Related Parts
7069AF109	3	White	Raised	1.0 mm	Orange LED	LHM, LRV4L, LRV5, LRV5L, LHML2ST	Chicklet: B396PB1 Graphic Insert: 250E26 Housing: 396VB1 Lamp: AAA629BD2 PC Board: 8200KA4 Reflector: 278EA1 Screw: 124CY4 Socket: 467AT1 Spring: 94FA1 Switch: on PCB Switch Holder: None Target: 323DA5
7069AF111	3	White	Raised	1.0 mm	Orange LED	LRS3, LRV4, LRS	Chicklet: B396PB1 Graphic Insert: 250E26 Housing: 396VB1 Lamp: AAA629BD2 PC Board: 8200KA3 Reflector: 278EA1 Screw: 124CY4 Socket: 467AT1 Spring: 94FA1 Switch: on PCB Switch Holder: None Target: 323DA5

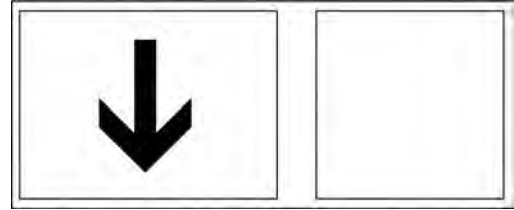
Electrical Rating: 24 VDC

Part No.	Assy. Type	Color	Target	Faceplate Thickness	Illumination	App.	Related Parts
7069AF15	4	White	Flush	1.0 mm	Incandescent	Geared ETO	Chicklet: B396PB1 Graphic Insert: 250E26 Housing: 396VB1 Lamp: 424R1 PC Board: 8200AL2 Reflector: 278EA1 Screw: 124CY5 Socket: 467AT1 Spring: 94FA1 Switch: 177DA1 Switch Holder: 180DA2 Target: 323DA1
7069AF34	4	White	Flush	1.5 mm	Incandescent	Geared ETO	Chicklet: B396PB1 Graphic Insert: 250E26 Housing: 396VB2 Lamp: 424R1 PC Board: 8200AL2 Reflector: 278EA1 Screw: 124CY5 Socket: 467AT1 Spring: 94FA1 Switch: 177DA1 Switch Holder: 180DA2 Target: 323DA1

Electrical Rating: 48 VDC

Part No.	Assy. Type	Color	Target	Faceplate Thickness	Illumination	App.	Related Parts
7069AF52	3	White	Flush	1.0 mm	Incandescent	MRVF	Chicklet: B396PB1 Graphic Insert: 250E26 Housing: 396VB1 Lamp: 424R1 PC Board: 8200AL1 Reflector: 278EA1 Screw: 124CY5 Socket: 467AT1 Spring: 94FA1 Switch: 177DA1 Switch Holder: 180DA2 Target: 323DA1

Pushbuttons



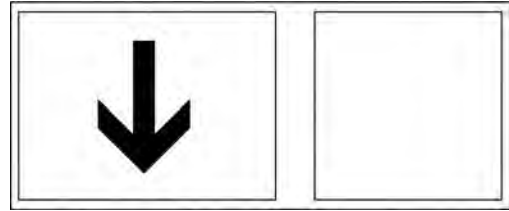
Hall Call, Down Button, Raised White Graphic, Illuminated Target (continued)

Electrical Rating: 115 VAC

Part No.	Assy. Type	Color	Target	Faceplate Thickness	Illumination	App.	Related Parts
7069AF46	4	White	Flush	1.0 mm	Neon	MRS, LRS, LRV2	Chicklet: B396PB1 Graphic Insert: 250E26 Housing: 396VB1 Lamp: On PCB PC Board: 8200AL3 Reflector: 278EA1 Screw: 124CY5 Socket: None Spring: 94FA1 Switch: 177DA1 Switch Holder: 180DA2 Target: 323DA1
7069AF66	4	White	Flush	3.2 mm	Neon	MRS	Chicklet: B396PB1 Graphic Insert: 250E26 Housing: 396VB3 Lamp: On PCB PC Board: 8200AL3 Reflector: 278EA1 Screw: 124CY5 Socket: None Spring: 94FA1 Switch: 177DA1 Switch Holder: 180DA2 Target: 323DA1
7069AF84	4	White	Raised	1.0 mm	Neon	MRS	Chicklet: B396PB1 Graphic Insert: 250E26 Housing: 396VB1 Lamp: On PCB PC Board: 8200AL3 Reflector: 278EA1 Screw: 124CY5 Socket: None Spring: 94FA1 Switch: 177DA1 Switch Holder: 180DA2 Target: 323DA5

Part No.	Assy. Type	Color	Target	Faceplate Thickness	Illumination	App.	Related Parts
7069AF86	4	White	Raised	3.2 mm	Neon	MRS	Chicklet: B396PB1 Graphic Insert: 250E26 Housing: 396VB3 Lamp: On PCB PC Board: 8200AL3 Reflector: 278EA1 Screw: 124CY5 Socket: None Spring: 94FA1 Switch: 177DA1 Switch Holder: 180DA2 Target: 323DA5

Pushbuttons



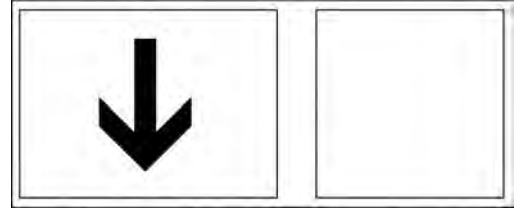
Hall Call, Down Button, Raised White Graphic, Illuminated Target (continued)

Electrical Rating: Nominal 30 VDC

Part No.	Assy. Type	Color	Target	Faceplate Thickness	Illumination	App.	Related Parts
7069AF12	3	White	Flush	1.0 mm	Incandescent	E401, LRS, LRV3, LRV4	Chicklet: B396PB1 Graphic Insert: 250E26 Housing: 396VB1 Lamp: 424R1 PC Board: 8200KA1 Reflector: 278EA1 Screw: 124CY4 Socket: 467AT1 Spring: 94FA1 Switch: on PCB Switch Holder: None Target: 323DA1
7069AF32	3	White	Flush	1.5 mm	Incandescent	E401 ETO	Chicklet: B396PB1 Graphic Insert: 250E26 Housing: 396VB1 Lamp: 424R1 PC Board: 8200KA1 Reflector: 278EA1 Screw: 124CY4 Socket: 467AT1 Spring: 94FA1 Switch: on PCB Switch Holder: None Target: 323DA1
7069AF56	3	White	Flush	3.2 mm	Incandescent	E401	Chicklet: B396PB1 Graphic Insert: 250E26 Housing: 396VB3 Lamp: 424R1 PC Board: 8200KA1 Reflector: 278EA1 Screw: 124CY4 Socket: 467AT1 Spring: 94FA1 Switch: On PCB Switch Holder: 180DA2 Target: 323DA5

Part No.	Assy. Type	Color	Target	Faceplate Thickness	Illumination	App.	Related Parts
7069AF62	3	White	Flush	3.2 mm	Incandescent	Geared, ETO	Chicklet: B396PB1 Graphic Insert: 250E26 Housing: 396VB3 Lamp: 424R1 PC Board: 8200AL2 Reflector: 278EA1 Screw: 124CY5 Socket: 467AT1 Spring: 94FA1 Switch: 177DA1 Switch Holder: None Target: 323DA1
7069AF64	3	White	Flush	1.0 mm	Incandescent		Chicklet: B396PB1 Graphic Insert: 250E26 Housing: 396VB1 Lamp: 424R1 PC Board: 8200KA2 Reflector: 278EA1 Screw: 124CY4 Socket: 467AT1 Spring: 94FA1 Switch: on PCB Switch Holder: None Target: 323DA1
7069AF74	3	White	Flush	1.0 mm	Orange LED	LRV5L, LRV4L, LRV5	Chicklet: B396PB1 Graphic Insert: 250E26 Housing: 396VB1 Lamp: AAA629BD2 PC Board: 8200KA4 Reflector: 278EA1 Screw: 124CY4 Socket: 467AT1 Spring: 94FA1 Switch: On PCB Switch Holder: None Target: 323DA1

Pushbuttons

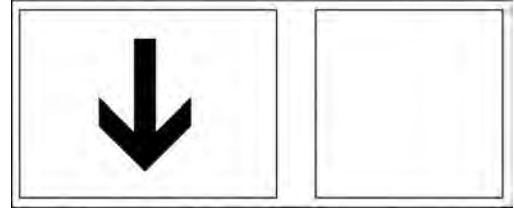


Hall Call, Down Button, Raised White Graphic, Illuminated Target, Electrical Rating: Nominal 30 VDC (continued)

Part No.	Assy. Type	Color	Target	Faceplate Thickness	Illumination	App.	Related Parts
7069AF78	4	White	Flush	1.0 mm	Orange LED	LRS3, LRV4	Chicklet: B396PB1 Graphic Insert: 250E26 Housing: 396VB1 Lamp: AAA629BD2 PC Board: 8200KA3 Reflector: 278EA1 Screw: 124CY4 Socket: 467AT1 Spring: 94FA1 Switch: on PCB Switch Holder: None Target: 323DA1
7069AF80	3	White	Raised	1.0 mm	Incandescent	E401	Chicklet: B396PB1 Graphic Insert: 250E26 Housing: 396VB1 Lamp: 424R1 PC Board: 8200KA1 Reflector: 278EA1 Screw: 124CY4 Socket: 467AT1 Spring: 94FA1 Switch: on PCB Switch Holder: None Target: 323DA5
7069AF82	3	White	Raised	3.2 mm	Incandescent	E401	Chicklet: B396PB1 Graphic Insert: 250E26 Housing: 396VB3 Lamp: 424R1 PC Board: 8200KA1 Reflector: 278EA1 Screw: 124CY4 Socket: 467AT1 Spring: 94FA1 Switch: On PCB Switch Holder: None Target: 323DA5

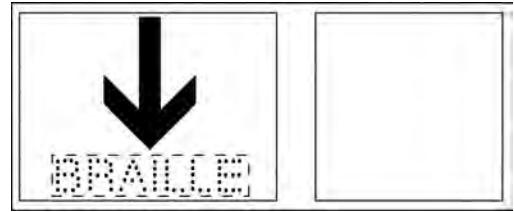
Part No.	Assy. Type	Color	Target	Faceplate Thickness	Illumination	App.	Related Parts
7069AF112	3	White	Raised	1.0 mm	Incandescent	LRV4L	Chicklet: B396PB1 Graphic Insert: 250E26 Housing: 396VB1 Lamp: 424R1 PC Board: 8200KA2 Reflector: 278EA1 Screw: 124CY4 Socket: 467AT1 Spring: 94FA1 Switch: on PCB Switch Holder: None Target: 323DA5
7069AF115	3	White	Flush	3.2 mm	Orange LED	LRS3	Chicklet: B396PB1 Graphic Insert: 250E26 Housing: 396VB3 Lamp: AAA629BD2 PC Board: 8200KA3 Reflector: 278EA1 Screw: 124CY4 Socket: 467AT1 Spring: 94FA1 Switch: on PCB Switch Holder: None Target: 323DA1
7069AF117	3	White	Raised	3.2 mm	Orange LED	LRS3	Chicklet: B396PB1 Graphic Insert: 250E26 Housing: 396VB3 Lamp: AAA629BD2 PC Board: 8200KA3 Reflector: 278EA1 Screw: 124CY4 Socket: 467AT1 Spring: 94FA1 Switch: on PCB Switch Holder: None Target: 323DA5

Pushbuttons



**Hall Call, Down Button, Raised White Graphic, Illuminated Target,
Electrical Rating: Nominal 30 VDC (continued)**

Part No.	Assy. Type	Color	Target	Faceplate Thickness	Illumination	App.	Related Parts
7069AF156	3	White	Raised	1.0 mm	Red / Green (white) LED	LRS3	Chicklet: B396PB1 Graphic Insert: 250E26 Housing: 396VB1 Lamp: on PCB PC Board: AAA26800PZ1 Reflector: 278EA1 Screw: 124CY4 Socket: None Spring: 94FA1 Switch: on PCB Switch Holder: None Target: 323DA5
7069AF157	3	White	Raised	1.0 mm	Red / Green (white) LED	LHM, LRV5, LRV5L, LHML2ST	Chicklet: B396PB1 Graphic Insert: 250E26 Housing: 396VB1 Lamp: on PCB PC Board: AAA26800PZ2 Reflector: 278EA1 Screw: 124CY4 Socket: 467AT1 Spring: 94FA1 Switch: on PCB Switch Holder: None Target: 323DA5

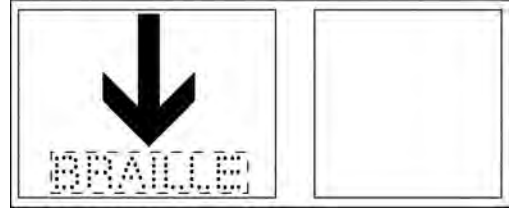


Hall Call, Down Button, Raised White Graphic w/Braille, Illuminated Target

Electrical Rating: Nominal 110 VAC

Part No.	Assy. Type	Color	Target	Faceplate Thickness	Illumination	App.	Related Parts
7069AF231	6	White	Raised	1.0 mm	Various LED		Chicklet: B396PB1 Graphic Insert: AAA250G1-DNARROW Housing: None Lamp: AAA629* PC Board: CAA8200A1 Reflector: 278EA1 Screw: 124CY4 Socket: 467AT1 Spring: 94FA1 Switch: 177DA1 Switch Holder: 180DA2 Target: 323DA5
7069AF234	6	White	Raised	1.0 mm	Various LED		Chicklet: B396PB1 Graphic Insert: AAA250G1-DNARROW Housing: None Lamp: AAA629* PC Board: CAA8200A2 Reflector: 278EA1 Screw: 124CY4 Socket: 467AT1 Spring: 94FA1 Switch: 177DA1 Switch Holder: 180DA2 Target: 323DA5

Pushbuttons



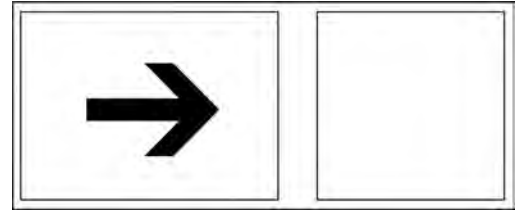
Hall Call, Down Button, Raised White Graphic w/Braille, Illuminated Target (continued)

Electrical Rating: Nominal 30 VDC

Part No.	Assy. Type	Color	Target	Faceplate Thickness	Illumination	App.	Related Parts
7069AF212	3	White	Raised	1.0 mm	Orange LED	LHM, LRV5L, LHML2ST	Chicklet: B396PB1 Graphic Insert: AAA250G1-DNARROW Housing: 396VB1 Lamp: AAA629BD2 PC Board: 8200KA4 Reflector: 278EA1 Screw: 124CY4 Socket: 467AT1 Spring: 94FA1 Switch: on PCB Switch Holder: None Target: 323DA5
7069AF214	3	White	Raised	1.0 mm	Orange LED	LRS3	Chicklet: B396PB1 Graphic Insert: AAA250G1-DNARROW Housing: 396VB1 Lamp: AAA629BD2 PC Board: 8200KA3 Reflector: 278EA1 Screw: 124CY4 Socket: 467AT1 Spring: 94FA1 Switch: on PCB Switch Holder: None Target: 323DA5
7069AF216	3	White	Raised	3.2 mm	Orange LED	LRS3, LRS3	Chicklet: B396PB1 Graphic Insert: AAA250G1-DNARROW Housing: 396VB1 Lamp: AAA629BD2 PC Board: 8200KA3 Reflector: 278EA1 Screw: 124CY4 Socket: 467AT1 Spring: 94FA1 Switch: on PCB Switch Holder: None Target: 323DA5

Part No.	Assy. Type	Color	Target	Faceplate Thickness	Illumination	App.	Related Parts
7069AF226	3	White	Raised	1.0 mm	Red / Green (white) LED	LRV5L, LHM, LHML2ST	Chicklet: B396PB1 Graphic Insert: AAA250G1-DNARROW Housing: 396VB1 Lamp: On PCB PC Board: AAA26800PZ2 Reflector: 278EA1 Screw: 124CY4 Socket: None Spring: 94FA1 Switch: on PCB Switch Holder: None Target: 323DA5
7069AF228	3	White	Raised	1.0 mm	Red / Green (white) LED	LRS, LRS3	Chicklet: B396PB1 Graphic Insert: AAA250G1-DNARROW Housing: 396VB1 Lamp: On PCB PC Board: AAA26800PZ1 Reflector: 278EA1 Screw: 124CY4 Socket: 467AT1 Spring: 94FA1 Switch: on PCB Switch Holder: None Target: 323DA5
7069AF237	6	White	Raised	1.0 mm	Various LED		Chicklet: B396PB1 Graphic Insert: AAA250G1-DNARROW Housing: None Lamp: AAA629* PC Board: CAA8200A3 Reflector: 278EA1 Screw: 124CY4 Socket: 467AT1 Spring: 94FA1 Switch: 177DA1 Switch Holder: 180DA2 Target: 323DA5

Pushbuttons



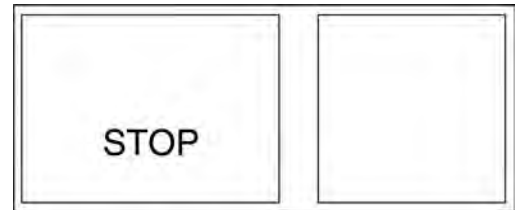
Hall Call Button, Jamb Mounted, Raised White Graphic, Illuminated Target

Electrical Rating: Nominal 30 VDC

Part No.	Assy. Type	Color	Target	Faceplate Thickness	Illumination	App.	Related Parts
7069AF13	3	White	Flush	1.5 mm	Incandescent	E401 ETO	Chicklet: B396PB1 Graphic Insert: 250E8 Housing: 396VB2 Lamp: 424R1 PC Board: 8200KA1 Reflector: 278EA1 Screw: 124CY4 Socket: 467AT1 Spring: 94FA1 Switch: on PCB Switch Holder: None Target: 323DA1

Electrical Rating: Nominal 24 VDC

Part No.	Assy. Type	Color	Target	Faceplate Thickness	Illumination	App.	Related Parts
7069AF35	4	White	Flush	1.5 mm	Incandescent	Geared ETO	Chicklet: B396PB1 Graphic Insert: 250E8 Housing: 396VB2 Lamp: 424R1 PC Board: 8200AL2 Reflector: 278EA1 Screw: 124CY4 Socket: 467AT1 Spring: 94FA1 Switch: 177DA1 Switch Holder: 180DA2 Target: 323DA1

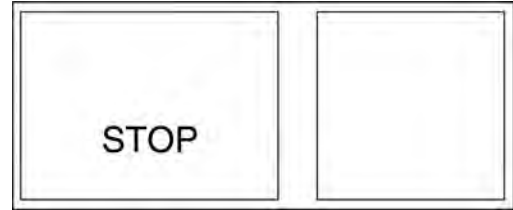


Stop Button White Printed Text

Electrical Rating: 5A @250 VAC-SPDT

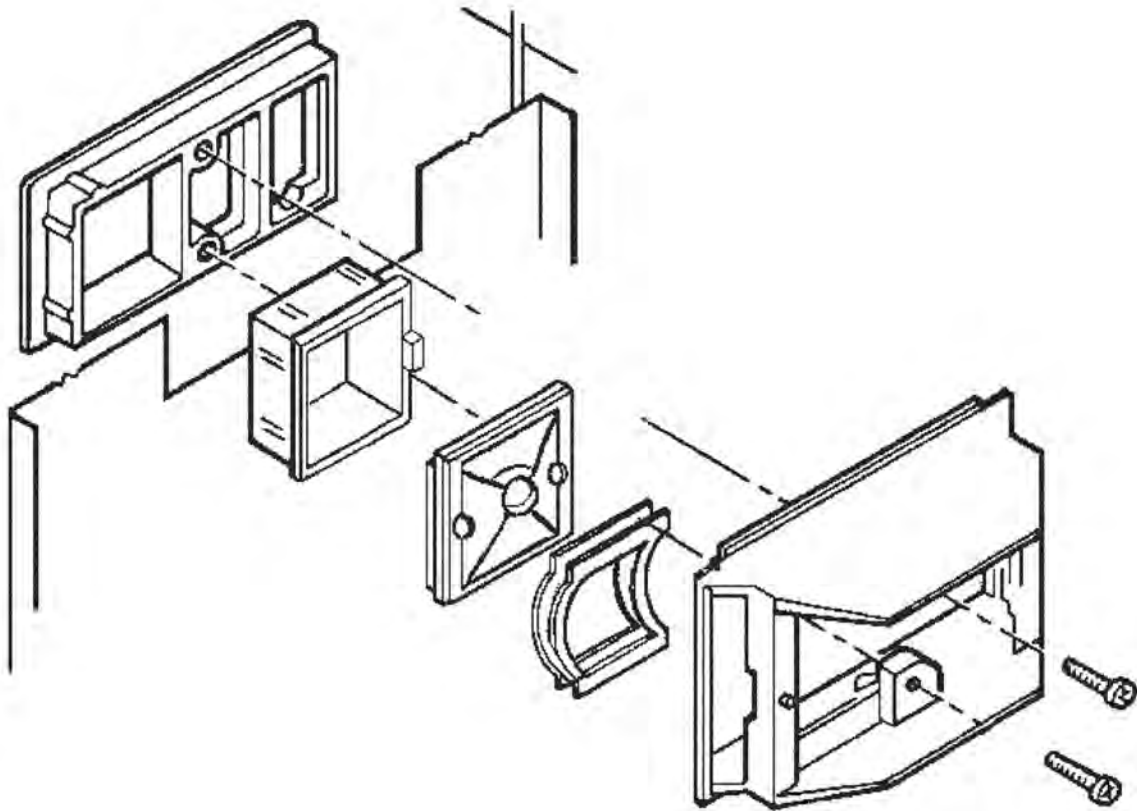
Part No.	Assy. Type	Color	Target	Faceplate Thickness	Illumination	App.	Related Parts
7069AF10	1	Red	Flush	1.5 mm		E401 ETO	Chicklet: B396PB1 Graphic Insert: 250E27 Housing: 396VB1 Lamp: None PC Board: None Reflector: 278EA1 Screw: 124CY4 Socket: None Spring: 94FA1 Switch: 177DA1 Switch Holder: 180DA2 Target: 323DA4
7069AF30	1	Red	Flush	1.5 mm		Geared ETO	Chicklet: B396PB1 Graphic Insert: 250E27 Housing: 396VB1 Lamp: None PC Board: None Reflector: 278EA1 Screw: 124CY4 Socket: None Spring: 94FA1 Switch: 177DA1 Switch Holder: 180DA2 Target: 323DA4

Pushbuttons



Electrical Rating: 5A @250 VAC-DPDT

Part No.	Assy. Type	Color	Target	Faceplate Thickness	Illumination	App.	Related Parts
7069AF36	2	Red	Flush	1.0 mm		E401 ETO	Chicklet: B396PB1 Graphic Insert: 250E27 Housing: 396VB1 Lamp: None PC Board: None Reflector: 278EA1 Screw: 124CY4 Socket: None Spring: 94FA1 Switch: (2) 177DA1 Switch Holder: 180DA1 Target: 323DA4
7069AF37	2	Red	Flush	1.5 mm		Geared ETO	Chicklet: B396PB1 Graphic Insert: 250E27 Housing: 396VB2 Lamp: None PC Board: None Reflector: 278EA1 Screw: 124CY4 Socket: None Spring: 94FA1 Switch: (2) 177DA1 Switch Holder: 180DA1 Target: 323DA4



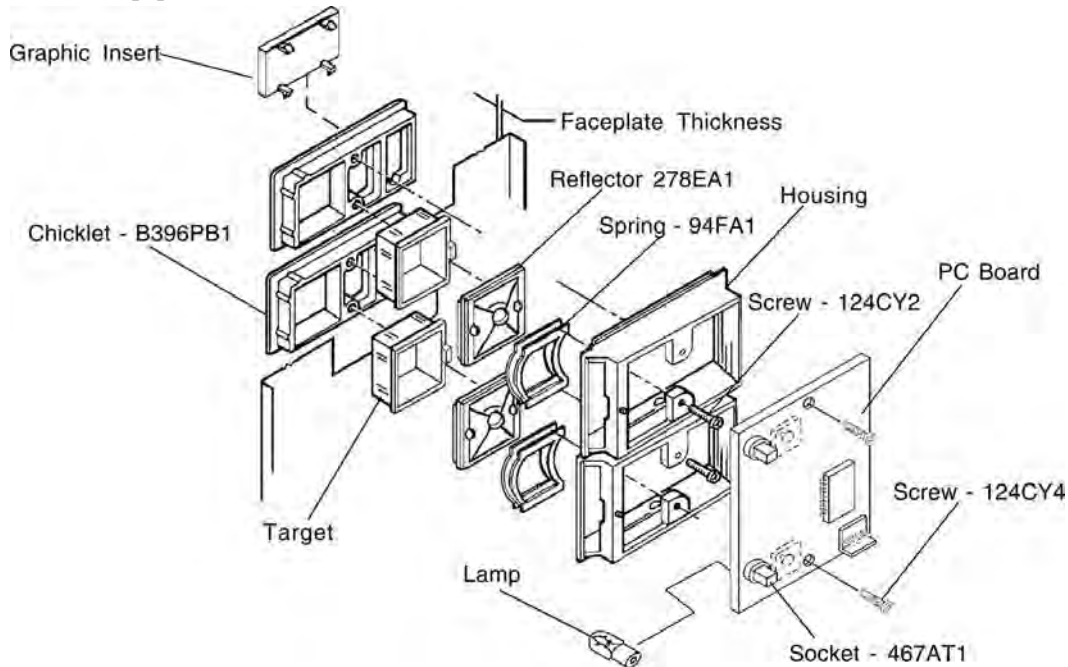
7069AF Button Kits

Part No.	Target Color	Faceplate Thickness	Application (Car & Hall)
2700CAK7	Green	1.0 mm	All LR & MR applications with a raised target
2700CAK11	Green	1.0 mm	All LR & MR applications with a raised target
2700CAK13	Red	1.0 mm	ETO Only
2700CAK14	Red	1.5 mm	ETO Only
2700CAK3	White	- - -	E401 floor button (flush target)
2700CAK4	White	1.0 mm	All LR & MR applications with a raised target
2700CAK5	White	3.2 mm	All LR & MR applications with a raised target
2700CAK12	White	- - -	E401 floor button (raised target)
2700CAK8	White	1.0 mm	All LR & MR applications with a raised target
2700CAK9	White	3.2 mm	All LR & MR applications with a raised target
2700CAK6	Yellow	1.0 mm	All LR & MR applications with a raised target
2700CAK10	Yellow	1.0 mm	All LR & MR applications with a raised target

Pushbuttons

7069BF

Two-Button Module w/Remote Station & Housing, Hall Panel & Flat COP Applications



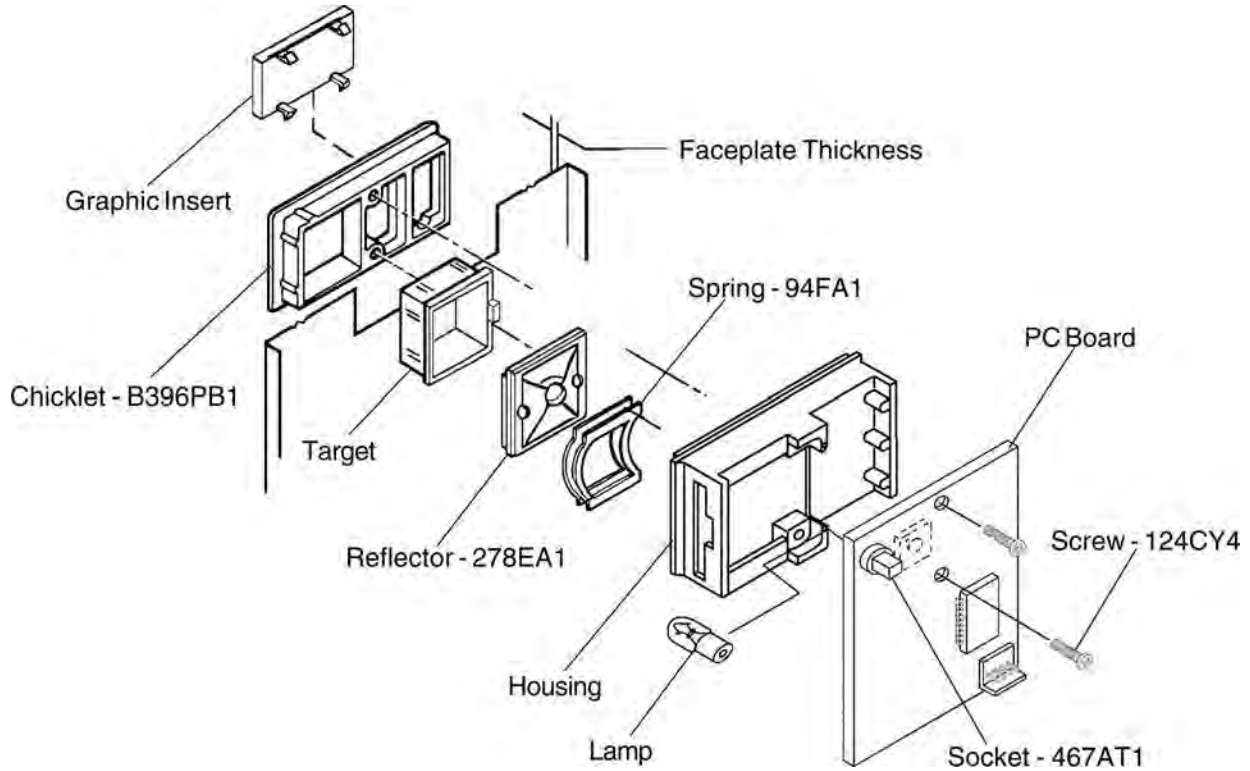
Part No.	Target	Faceplate Thickness	Illumination	App.	Related Parts
7069BF5	Flush	1.5 mm	Incandescent	COP Floor Buttons ETO	Graphic Insert: 250D*
					Housing: 396KJ2
					Lamp: 424R1
					PC Board: B9693C3 (RS3A)
7069BF6	Flush	1.5 mm	Incandescent	COP Floor Buttons ETO	Target: 323DA1
					Graphic Insert: 250D*
					Housing: 396KJ2
					Lamp: 424R1
7069BF17	Flush	1.0 mm	Incandescent	Intermediate Hall Buttons	PC Board: B9693C3 (RS3A)
					Target: 323DA1
					Graphic Insert: 250E25 (Up) 250E26 (Down)
					Housing: 396KJ1
7069BF20	Flush	3.2 mm	Incandescent	Intermediate Hall Buttons	Lamp: 424R1
					PC Board: B9693C2 (RS3)
					Target: 323DA1
					Graphic Insert: 250E25 (Up) 250E26 (Down)

Part No.	Target	Faceplate Thickness	Illumination	App.	Related Parts
7069BF24	Raised	1.0 mm	Incandescent	Intermediate Hall Buttons	Graphic Insert: 250E25 (Up) 250E26 (Down)
					Housing: 396KJ1
					Lamp: 424R1
					PC Board: B9693C2 (RS3)
					Target: 323DA5
7069BF25	Raised	3.2 mm	Incandescent	COP Floor Buttons	Graphic Insert: 250D* or AAA250G*
					Housing: 396KJ4
					Lamp: 424R1
					PC Board: B9693C2 (RS3)
					Target: 323DA5
7069BF30	Raised	1.0 mm	Incandescent with Braille	Intermediate Hall Buttons	Graphic Insert: AAA250G1-UPARROW AAA250G1-DNARROW
					Housing: 396KJ1
					Lamp: 424R1
					PC Board: B9693C2 (RS3)
					Target: 323DA5
7069BF33	Raised	3.2 mm	Incandescent with Braille	Intermediate Hall Buttons	Graphic Insert: AAA250G1-UPARROW AAA250G1-DNARROW
					Housing: 396KJ4
					Lamp: 424R1
					PC Board: B9693C2 (RS3)
					Target: 323DA5
7069BF36	Raised	1.0 mm	Red / Green LED with Braille	Intermediate Hall Buttons	Graphic Insert: AAA250G1-UPARROW AAA250G1-DNARROW
					Housing: 396KJ1
					Lamp: AAA629AY17
					PC Board: AAA26800UG1 (RS3 w/LED)
					Target: 323DA5
7069BF39	Raised	1.0 mm	Red / Green LED	Intermediate Hall Buttons	Graphic Insert: 250E25 (Up) 250E26 (Down)
					Housing: 396KJ1
					Lamp: AAA629AY17
					PC Board: AAA26800UG1 (RS3 w/LED)
					Target: 323DA5

NOTE: 424R1 incandescent lamps can be replaced by AAA629AY17 if simulated incandescent color is acceptable. Other available LED colors are AAA629AY1 = Yellow, AY2 = Red, AY3 = Orange.

Pushbuttons

One-Button Module w/Remote Station & Housing, Hall Panel & Flat COP Applications



Part No.	Target	Faceplate Thickness	Illumination	App.	Related Parts
7069BF7	Flush	1.5 mm	Incandescent	COP Floor Button ETO	Graphic Insert: 250D*
					Housing: 396KJ2
					Lamp: 424R1
					PC Board: B9693C3 (RS3A)
					Target: 323DA1
7069BF13	Flush	1.0 mm	Incandescent	Up Hall Button	Graphic Insert: 250E25 (Up)
					Housing: 396KJ1
					Lamp: 424R1
					PC Board: B9693C3 (RS3A)
7069BF15	Flush	1.0 mm	Incandescent	Down Hall Button	Graphic Insert: 250E26 (Down)
					Housing: 396KJ1
					Lamp: 424R1
					PC Board: B9693C3 (RS3A)
					Target: 323DA1

NOTE: 424R1 incandescent lamps can be replaced by AAA629AY17 if simulated incandescent color is acceptable. Other available LED colors are AAA629AY1 = Yellow, AY2 = Red, AY3 = Orange.

Part No.	Target	Faceplate Thickness	Illumination	App.	Related Parts
7069BF18	Flush	3.2 mm	Incandescent	Up Hall Button	Graphic Insert: 250E25 (Up)
					Housing: 396KJ4
					Lamp: 424R1
					PC Board: B9693C3 (RS3A)
					Target: 323DA1
7069BF19	Flush	3.2 mm	Incandescent	Down Hall Button	Graphic Insert: 250E26 (Down)
					Housing: 396KJ4
					Lamp: 424R1
					PC Board: B9693C3 (RS3A)
					Target: 323DA1
7069BF22	Raised	1.0 mm	Incandescent	Up Hall Button	Graphic Insert: 250E25 (Up)
					Housing: 396KJ1
					Lamp: 424R1
					PC Board: B9693C3 (RS3A)
					Target: 323DA5
7069BF23	Raised	1.0 mm	Incandescent	Down Hall Button	Graphic Insert: 250E26 (Down)
					Housing: 396KJ1
					Lamp: 424R1
					PC Board: B9693C3 (RS3A)
					Target: 323DA5
7069BF28	Raised	1.0 mm	Incandescent with Braille	Up Hall Button	Graphic Insert: AAA250G1-UPARROW
					Housing: 396KJ1
					Lamp: 424R1
					PC Board: B9693C3 (RS3A)
					Target: 323DA5
7069BF29	Raised	1.0 mm	Incandescent with Braille	Down Hall Button	Graphic Insert: AAA250G1-DNARROW
					Housing: 396KJ1
					Lamp: 424R1
					PC Board: B9693C3 (RS3A)
					Target: 323DA5
7069BF31	Raised	3.2 mm	Incandescent	Up Hall Button	Graphic Insert: AAA250G1-UPARROW
					Housing: 396KJ4
					Lamp: 424R1
					PC Board: B9693C3 (RS3A)
					Target: 323DA5
7069BF32	Raised	3.2 mm	Incandescent	Down Hall Button	Graphic Insert: AAA250G1-DNARROW
					Housing: 396KJ4
					Lamp: 424R1
					PC Board: B9693C3 (RS3A)
					Target: 323DA5

NOTE: 424R1 incandescent lamps can be replaced by AAA629AY17 if simulated incandescent color is acceptable. Other available LED colors are AAA629AY1 – Yellow, AY2 – Red, AY3 – Orange.

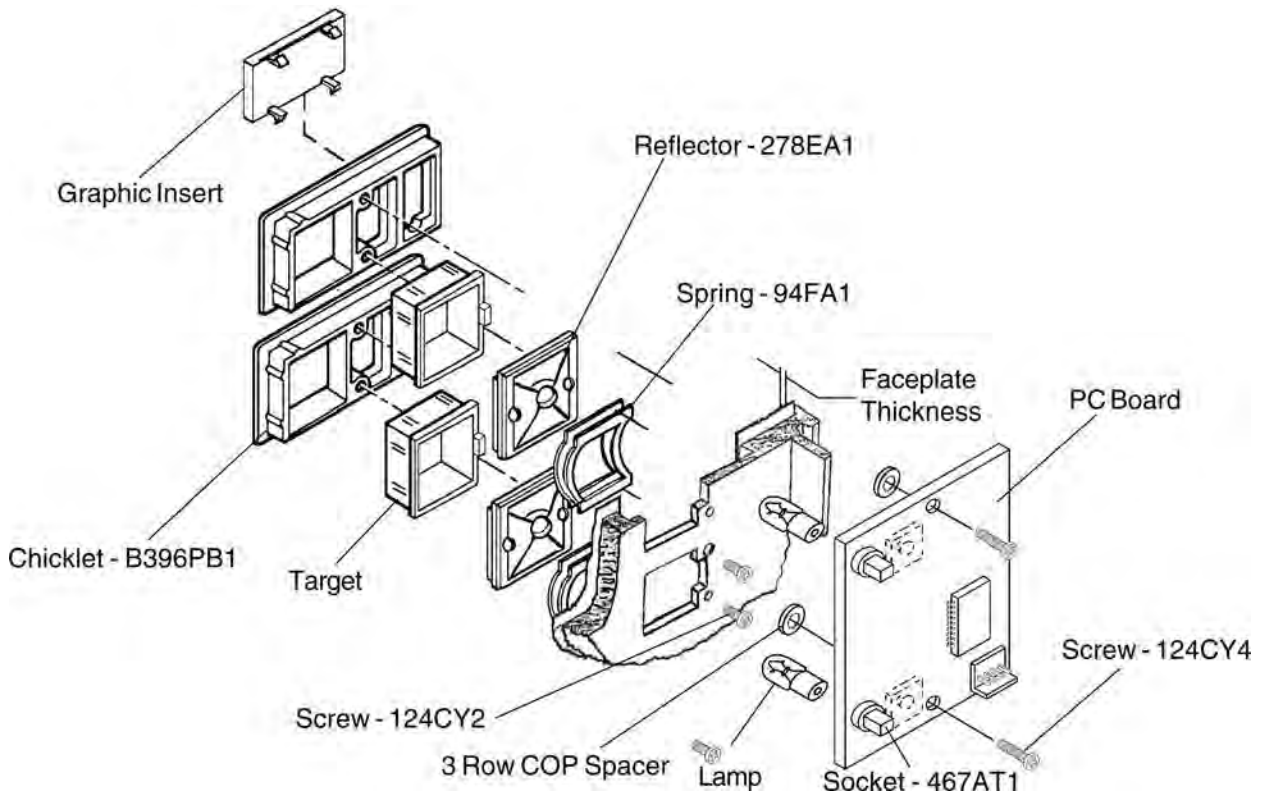
Pushbuttons

One-Button Module w/Remote Station & Housing, Hall Panel & Flat COP Applications (continued)

Part No.	Target	Faceplate Thickness	Illumination	App.	Related Parts	
7069BF34	Raised	1.0 mm	Red / Green LED	Up Hall Button	Graphic Insert:	AAA250G1-UPARROW
					Housing:	396KJ1
					Lamp:	AAA629AY17
					PC Board:	AAA26800UG2 (RS3A w/LED)
					Target:	323DA5
7069BF35	Raised	1.0 mm	Red / Green LED	Down Hall Button	Graphic Insert:	AAA250G1-DNARROW
					Housing:	396KJ1
					Lamp:	AAA629AY17
					PC Board:	AAA26800UG2 (RS3A w/LED)
					Target:	323DA5
7069BF37	Raised	1.0 mm	Red / Green LED	Up Hall Button	Graphic Insert:	250E25 (Up)
					Housing:	396KJ1
					Lamp:	AAA629AY17
					PC Board:	AAA26800UG2 (RS3A w/LED)
					Target:	323DA5
7069BF38	Raised	1.0 mm	Red / Green LED	Down Hall Button	Graphic Insert:	250E26 (Down)
					Housing:	396KJ1
					Lamp:	AAA629AY17
					PC Board:	AAA26800UG2 (RS3A w/LED)
					Target:	323DA5

NOTE: 424R1 incandescent lamps can be replaced by AAA629AY17 if simulated incandescent color is acceptable. Other available LED colors are AAA629AY1 = Yellow, AY2 = Red, AY3 = Orange.

Two-Button Module w/Remote Station, Molded COP Applications



Part No.	Target	Faceplate Thickness	Illumination	App.	Related Parts
7069BF1	Flush	1.0 mm	Incandescent	2-Row COP Floor Button	Graphic Insert: 250D* or AAA250G*
					Lamp: 424R1
					PC Board: B9693C2 (RS3)
					Spacer: None
7069BF2	Flush	1.0 mm	Incandescent	2-Row COP Floor Button	Target: 323DA1
					Graphic Insert: 250D* or AAA250G*
					Lamp: 424R1
					PC Board: B9693C2 (RS3)
7069BF9	Flush	1.0 mm	Incandescent	3-Row COP Floor Button	Spacer: None
					Target: 323DA1
					Graphic Insert: 250D* or AAA250G*
					Lamp: 424R1
					PC Board: B9693C2 (RS3)
					Spacer: 462GV3
					Target: 323DA1

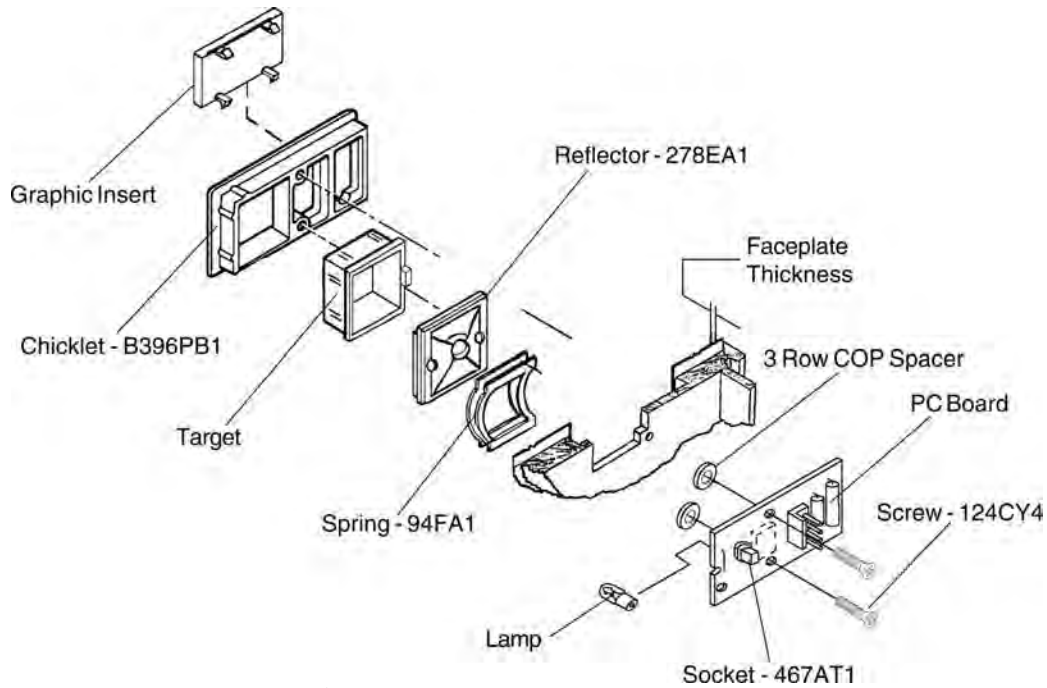
NOTE: 424R1 incandescent lamps can be replaced by AAA629AY17 if simulated incandescent color is acceptable. Other available LED colors are AAA629AY1 = Yellow, AY2 = Red, AY3 = Orange.

Pushbuttons

Two-Button Module w/Remote Station, Molded COP Applications (continued)

Part No.	Target	Faceplate Thickness	Illumination	App.	Related Parts	
					Graphic Insert:	
7069BF10	Flush	1.0 mm	Incandescent	3-Row COP Floor Button	Graphic Insert:	250D* or AAA250G*
					Lamp:	424R1
					PC Board:	B9693C2 (RS3)
					Spacer:	462GV3
					Target:	323DA1
7069BF14	Flush	1.0 mm	Incandescent	3-Row COP Floor Button	Graphic Insert:	250D* or AAA250G*
					Lamp:	424R1
					PC Board:	B9693C2 (RS3)
					Spacer:	462GV3
					Target:	323DA1
7069BF40	Raised	1.0 mm	Red / Green LED	2-Row COP Floor Button	Graphic Insert:	250D* or AAA250G*
					Lamp:	AAA629AY17
					PC Board:	AAA26800UG1 (RS3 w/LED)
					Spacer:	None
					Target:	323DA5
7069BF3	Flush	1.0 mm	Incandescent	2-Row COP Floor Button	Graphic Insert:	250D* or AAA250G*
					Lamp:	424R1
					PC Board:	B9693C2 (RS3)
					Spacer:	None
					Target:	323DA1
7069BF11	Flush	1.0 mm	Incandescent	3-Row COP Floor Button	Graphic Insert:	250D* or AAA250G*
					Lamp:	424R1
					PC Board:	B9693C2 (RS3)
					Spacer:	462GV3
					Target:	323DA1
7069BF16	Raised	1.0 mm	Incandescent	3-Row COP Floor Button	Graphic Insert:	250D* or AAA250G*
					Lamp:	424R1
					PC Board:	B9693C3 (RS3A)
					Spacer:	462GV3
					Target:	323DA5
7069BF41	Raised	1.0 mm	Red / Green LED	2-Row COP Floor Button	Graphic Insert:	250D* or AAA250G*
					Lamp:	AAA629AY17
					PC Board:	B9693C3 (RS3A)
					Spacer:	None
					Target:	323DA5

NOTE: 424R1 incandescent lamps can be replaced by AAA629AY17 if simulated incandescent color is acceptable. Other available LED colors are AAA629AY1 = Yellow, AY2 = Red, AY3 = Orange.



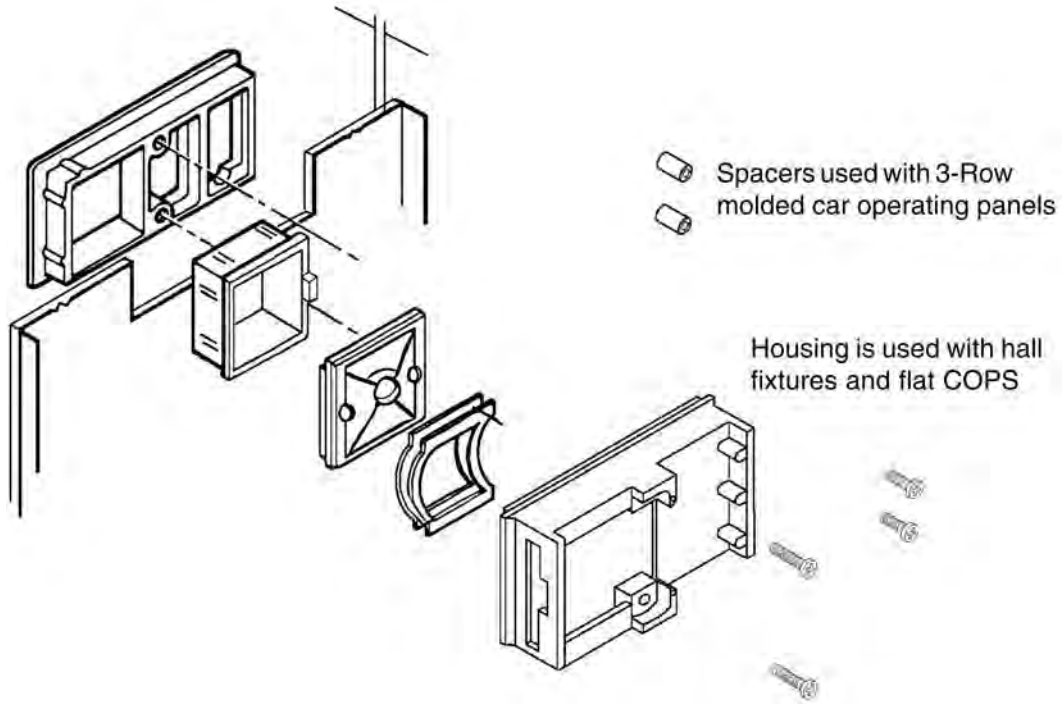
One-Button Module w/Remote Station, Molded COP Applications

Part No.	Target	Faceplate Thickness	Illumination	App.	Related Parts
7069BF4	Flush	1.0 mm	Incandescent	2-Row COP Floor Button	Graphic Insert: 250D* or AAA250G*
					Lamp: 424R1
					PC Board: 8200KA2
					Spacer: None
					Target: 323DA1
7069BF12	Flush	1.0 mm	Incandescent	3-Row COP Floor Button	Graphic Insert: 250D* or AAA250G*
					Lamp: 424R1
					PC Board: 8200KA2
					Spacer: 462GV3
7069BF21	Raised	1.0 mm	Incandescent	3-Row COP Floor Button	Graphic Insert: 250D* or AAA250G*
					Lamp: 424R1
					PC Board: 8200KA2
					Spacer: 462GV3
7069BF42	Raised	1.0 mm	LED	2-Row COP Floor Button	Graphic Insert: 250D* or AAA250G*
					Lamp: On PCB
					PC Board: AAA26800PZ2
					Spacer: None
					Target: 323DA5

NOTE: 424R1 incandescent lamps can be replaced by AAA629AY17 if simulated incandescent color is acceptable. Other available LED colors are AAA629AY1 = Yellow, AY2 = Red, AY3 = Orange.

Pushbuttons

Button Kits



Part No.	Target Color	Faceplate Thickness	Application (Car & Hall)
2700CAK1	White	- - -	MRQ, Car. Without housing.
2700CAK2	White	1.0 mm	MRQ, Hall
2700CAK15	White	- - -	MRQ, Car, California. Without housing.
2700CAK16	White	1.5 mm	MRQ, Hall, California
2700CAK17	White	3.2 mm	MRQ, Hall
2700CAK18	White	3.2 mm	MRQ, Hall, California

AAA23500AK

Fixtures in this group come in four available finishes:

- Brushed Stainless Steel (SS4)
- Mirrored Stainless Steel (SS8)
- Brushed Brass (BR7)
- Mirrored Brass (BR8)

AAA23500AK: Micro-Motion III pushbuttons are used with both AMP connectors and screw connectors.

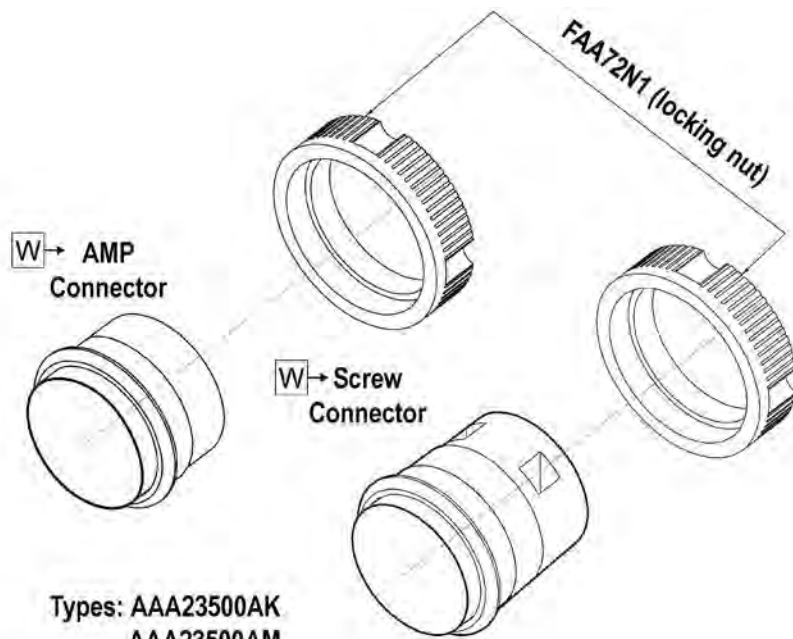
AAA23500AM: Pushbuttons are vandal-resistant with stainless steel finish only.



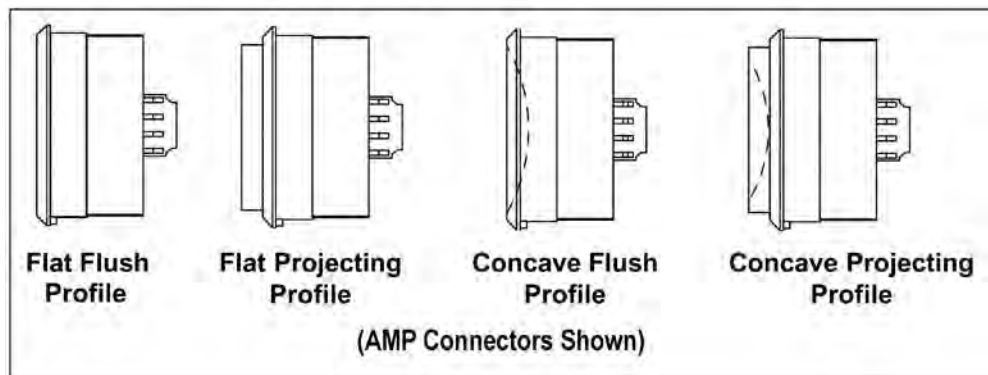
AAA23500AK Flat Flush Buttons



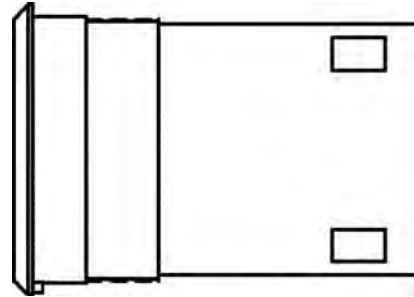
AAA23500AK Flat Projecting Buttons



Types: AAA23500AK
AAA23500AM
Micro-Motion III Pushbuttons



Pushbuttons

Micro-Motion III Pushbuttons: Flat Flush, Screw Connector**Electrical Rating: 6 VDC**

Part Number	Target Finish	LED Color	Ring Body Color	No. of Contacts
AAA23500AK78	Brushed Brass	Non-Illuminating	Yellow	2
AAA23500AK63	Brushed Brass	Red	Clear	2
AAA23500AK123	Brushed Brass	Red	Clear	1
AAA23500AK76	Brushed Stainless Steel	Non-Illuminating	Yellow	2
AAA23500AK61	Brushed Stainless Steel	Red	Clear	2
AAA23500AK121	Brushed Stainless Steel	Red	Clear	1
AAA23500AK79	Mirrored Brass	Non-Illuminating	Yellow	2
AAA23500AK64	Mirrored Brass	Red	Clear	2
AAA23500AK124	Mirrored Brass	Red	Clear	1
AAA23500AK77	Mirrored Stainless Steel	Non-Illuminating	Yellow	2
AAA23500AK62	Mirrored Stainless Steel	Red	Clear	2
AAA23500AK122	Mirrored Stainless Steel	Red	Clear	1
AAA23500AK80	White Plastic*	Non-Illuminating	Yellow	2
AAA23500AK65	White Plastic*	Red	Clear	2

Electrical Rating: 12 VDC

Part Number	Target Finish	LED Color	Ring Body Color	No. of Contacts
AAA23500AK108	Brushed Brass	Non-Illuminating	Yellow	2
AAA23500AK93	Brushed Brass	Red	Clear	2
AAA23500AK131	Brushed Brass	Red	Clear	1
AAA23500AK106	Brushed Stainless Steel	Non-Illuminating	Yellow	2
AAA23500AK91	Brushed Stainless Steel	Red	Clear	2
AAA23500AK129	Brushed Stainless Steel	Red	Clear	1
AAA23500AK109	Mirrored Brass	Non-Illuminating	Yellow	2
AAA23500AK94	Mirrored Brass	Red	Clear	2
AAA23500AK132	Mirrored Brass	Red	Clear	1
AAA23500AK107	Mirrored Stainless Steel	Non-Illuminating	Yellow	2
AAA23500AK92	Mirrored Stainless Steel	Red	Clear	2
AAA23500AK130	Mirrored Stainless Steel	Red	Clear	1
AAA23500AK110	White Plastic*	Non-Illuminating	Yellow	2
AAA23500AK95	White Plastic*	Red	Clear	2

Electrical Rating: 30 VDC

Part Number	Target Finish	LED Color	Ring Body Color	No. of Contacts
AAA23500AK228	Brushed Brass	Amber	Clear	1
AAA23500AK226	Brushed Stainless Steel	Amber	Clear	1
AAA23500AK229	Mirrored Brass	Amber	Clear	1
AAA23500AK227	Mirrored Stainless Steel	Amber	Clear	1

Electrical Rating: 120 VAC

Part Number	Target Finish	LED Color	Ring Body Color	No. of Contacts
AAA23500AK180	Brushed Brass	Amber	Clear	1
AAA23500AK178	Brushed Stainless Steel	Amber	Clear	1
AAA23500AK181	Mirrored Brass	Amber	Clear	1
AAA23500AK179	Mirrored Stainless Steel	Amber	Clear	1

Electrical Rating: 120 VDC

Part Number	Target Finish	LED Color	Ring Body Color	No. of Contacts
AAA23500AK196	Brushed Brass	Amber	Clear	1
AAA23500AK194	Brushed Stainless Steel	Amber	Clear	1
AAA23500AK197	Mirrored Brass	Amber	Clear	1
AAA23500AK195	Mirrored Stainless Steel	Amber	Clear	1

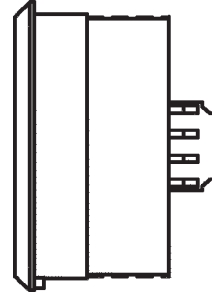
Electrical Rating: 120 V Maximum

Part Number	Target Finish	LED Color	Ring Body Color	No. of Contacts
AAA23500AK212	Brushed Brass	Non-Illuminating	Clear	2
AAA23500AK210	Brushed Stainless Steel	Non-Illuminating	Clear	2
AAA23500AK213	Mirrored Brass	Non-Illuminating	Clear	2
AAA23500AK211	Mirrored Stainless Steel	Non-Illuminating	Clear	2

Pushbuttons

Micro-Motion III Pushbuttons: Flat Flush, Amp Connector

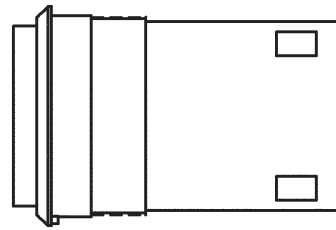
NOTE: 24 VDC buttons in the AAA23500AK series were replaced by AAA23500CC buttons, then by AAA23500CH series. Please provide your OSC sales associate with the existing part number (shown here) and the correct replacement will be provided to you.



Electrical Rating: 24 VDC

Part Number	Target Finish	LED Color	Ring Body Color
AAA23500AK18	Brushed Brass	Green	Clear
AAA23500AK33	Brushed Brass	Non-Illuminating	Clear
AAA23500AK48	Brushed Brass	Non-Illuminating	White Opaque
AAA23500AK3	Brushed Brass	Red	Clear
AAA23500AK236	Brushed Brass	White	Clear
AAA23500CC3	Brushed Stainless Steel	Green	Clear
AAA23500CC2	Brushed Stainless Steel	Non-Illuminating	Clear
AAA23500AK46	Brushed Stainless Steel	Non-Illuminating	White Opaque
AAA23500CC1	Brushed Stainless Steel	Red	Clear
AAA23500AK234	Brushed Stainless Steel	White	Clear
AAA23500AK19	Mirrored Brass	Green	Clear
AAA23500AK34	Mirrored Brass	Non-Illuminating	Clear
AAA23500AK49	Mirrored Brass	Non-Illuminating	White Opaque
AAA23500AK4	Mirrored Brass	Red	Clear
AAA23500AK237	Mirrored Brass	White	Clear
AAA23500AK17	Mirrored Stainless Steel	Green	Clear
AAA23500AK32	Mirrored Stainless Steel	Non-Illuminating	Clear
AAA23500AK47	Mirrored Stainless Steel	Non-Illuminating	White Opaque
AAA23500AK2	Mirrored Stainless Steel	Red	Clear
AAA23500AK235	Mirrored Stainless Steel	White	Clear
AAA23500AK20	White Plastic*	Green	Clear
AAA23500AK35	White Plastic*	Non-Illuminating	Clear
AAA23500AK50	White Plastic*	Non-Illuminating	White Opaque
AAA23500AK5	White Plastic*	Red	Clear

Micro-Motion III Pushbuttons: Flat Projecting, Screw Connector



Electrical Rating: 6 VDC

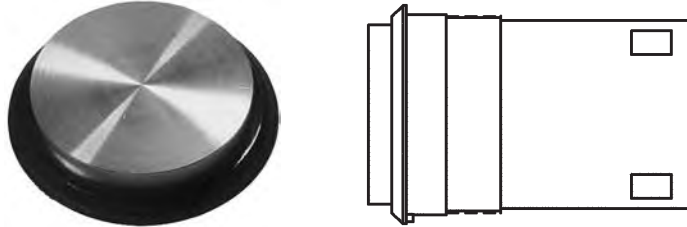
Part Number	Target Finish	LED Color	Ring Body Color	No. of Contacts
AAA23500AK83	Brushed Brass	Non-Illuminating	Yellow	2
AAA23500AK68	Brushed Brass	Red	Clear	2
AAA23500AK127	Brushed Brass	Red	Clear	1
AAA23500AK81	Brushed Stainless Steel	Non-Illuminating	Yellow	2
AAA23500AK66	Brushed Stainless Steel	Red	Clear	2
AAA23500AK125	Brushed Stainless Steel	Red	Clear	1
AAA23500AK84	Mirrored Brass	Non-Illuminating	Yellow	2
AAA23500AK69	Mirrored Brass	Red	Clear	2
AAA23500AK128	Mirrored Brass	Red	Clear	1
AAA23500AK82	Mirrored Stainless Steel	Non-Illuminating	Yellow	2
AAA23500AK67	Mirrored Stainless Steel	Red	Clear	2
AAA23500AK126	Mirrored Stainless Steel	Red	Clear	1
AAA23500AK85	White Plastic*	Non-Illuminating	Yellow	2
AAA23500AK70	White Plastic*	Red	Clear	2

Electrical Rating: 12 VDC

Part Number	Target Finish	LED Color	Ring Body Color	No. of Contacts
AAA23500AK113	Brushed Brass	Non-Illuminating	Yellow	2
AAA23500AK98	Brushed Brass	Red	Clear	2
AAA23500AK135	Brushed Brass	Red	Clear	1
AAA23500AK111	Brushed Stainless Steel	Non-Illuminating	Clear	2
AAA23500AK96	Brushed Stainless Steel	Red	Clear	2
AAA23500AK133	Brushed Stainless Steel	Red	Clear	1
AAA23500AK114	Mirrored Brass	Non-Illuminating	Yellow	2
AAA23500AK99	Mirrored Brass	Red	Clear	2
AAA23500AK136	Mirrored Brass	Red	Clear	1
AAA23500AK112	Mirrored Stainless Steel	Non-Illuminating	Yellow	2
AAA23500AK97	Mirrored Stainless Steel	Red	Clear	2
AAA23500AK134	Mirrored Stainless Steel	Red	Clear	1
AAA23500AK115	White Plastic*	Non-Illuminating	Yellow	2
AAA23500AK100	White Plastic*	Red	Clear	2

Pushbuttons

Micro-Motion III Pushbuttons: Flat Projecting, Screw Connector (continued)



Electrical Rating: 30 VDC

Part Number	Target Finish	LED Color	Ring Body Color	No. of Contacts
AAA23500AK232	Brushed Brass	Amber	Clear	1
AAA23500AK230	Brushed Stainless Steel	Amber	Clear	1
AAA23500AK233	Mirrored Brass	Amber	Clear	1
AAA23500AK231	Mirrored Stainless Steel	Amber	Clear	1

Electrical Rating: 120 VAC

Part Number	Target Finish	LED Color	Ring Body Color	No. of Contacts
AAA23500AK184	Brushed Brass	Amber	Clear	1
AAA23500AK182	Brushed Stainless Steel	Amber	Clear	1
AAA23500AK185	Mirrored Brass	Amber	Clear	1
AAA23500AK183	Mirrored Stainless Steel	Amber	Clear	1

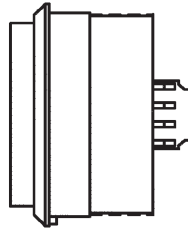
Electrical Rating: 120 VDC

Part Number	Target Finish	LED Color	Ring Body Color	No. of Contacts
AAA23500AK200	Brushed Brass	Amber	Clear	1
AAA23500AK198	Brushed Stainless Steel	Amber	Clear	1
AAA23500AK201	Mirrored Brass	Amber	Clear	1
AAA23500AK199	Mirrored Stainless Steel	Amber	Clear	1

Electrical Rating: 120 V Maximum

Part Number	Target Finish	LED Color	Ring Body Color	No. of Contacts
AAA23500AK216	Brushed Brass	Non-Illuminating	Clear	2
AAA23500AK214	Brushed Stainless Steel	Non-Illuminating	Clear	2
AAA23500AK217	Mirrored Brass	Non-Illuminating	Clear	2
AAA23500AK215	Mirrored Stainless Steel	Non-Illuminating	Clear	2

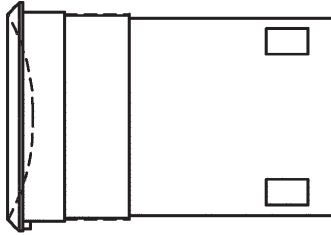
Micro-Motion III Pushbuttons: Flat Projecting, Amp Connector



Electrical Rating: 24 VDC

Part Number	Target Finish	LED Color	Ring Body Color
AAA23500AK23	Brushed Brass	Green	Clear
AAA23500AK38	Brushed Brass	Non-Illuminating	Clear
AAA23500AK53	Brushed Brass	Non-Illuminating	White Opaque
AAA23500AK8	Brushed Brass	Red	Clear
AAA23500AK240	Brushed Brass	White	Clear
AAA23500AK21	Brushed Stainless Steel	Green	Clear
AAA23500AK36	Brushed Stainless Steel	Non-Illuminating	Clear
AAA23500AK51	Brushed Stainless Steel	Non-Illuminating	White Opaque
AAA23500AK6	Brushed Stainless Steel	Red	Clear
AAA23500AK238	Brushed Stainless Steel	White	Clear
AAA23500AK24	Mirrored Brass	Green	Clear
AAA23500AK39	Mirrored Brass	Non-Illuminating	Clear
AAA23500AK54	Mirrored Brass	Non-Illuminating	White Opaque
AAA23500AK9	Mirrored Brass	Red	Clear
AAA23500AK241	Mirrored Brass	White	Clear
AAA23500AK22	Mirrored Stainless Steel	Green	Clear
AAA23500AK37	Mirrored Stainless Steel	Non-Illuminating	Clear
AAA23500AK52	Mirrored Stainless Steel	Non-Illuminating	White Opaque
AAA23500AK7	Mirrored Stainless Steel	Red	Clear
AAA23500AK239	Mirrored Stainless Steel	White	Clear
AAA23500AK25	White Plastic*	Green	Clear
AAA23500AK40	White Plastic*	Non-Illuminating	Clear
AAA23500AK55	White Plastic*	Non-Illuminating	White Opaque
AAA23500AK10	White Plastic*	Red	Clear

Pushbuttons

Micro-Motion III Pushbuttons: Concave Flush, Screw Connector**Electrical Rating: 6 VDC**

Part Number	Target Finish	LED Color	Ring Body Color	No. of Contacts
AAA23500AK88	Brushed Brass	Non-Illuminating	Yellow	2
AAA23500AK73	Brushed Brass	Red	Clear	2
AAA23500AK164	Brushed Brass	Red	Clear	1
AAA23500AK86	Brushed Stainless Steel	Non-Illuminating	Yellow	2
AAA23500AK71	Brushed Stainless Steel	Red	Clear	2
AAA23500AK162	Brushed Stainless Steel	Red	Clear	1
AAA23500AK89	Mirrored Brass	Non-Illuminating	Yellow	2
AAA23500AK74	Mirrored Brass	Red	Clear	2
AAA23500AK165	Mirrored Brass	Red	Clear	1
AAA23500AK87	Mirrored Stainless Steel	Non-Illuminating	Yellow	2
AAA23500AK72	Mirrored Stainless Steel	Red	Clear	2
AAA23500AK163	Mirrored Stainless Steel	Red	Clear	1
AAA23500AK90	White Plastic*	Non-Illuminating	Yellow	2
AAA23500AK75	White Plastic*	Red	Clear	2

Electrical Rating: 12 VDC

Part Number	Target Finish	LED Color	Ring Body Color	No. of Contacts
AAA23500AK118	Brushed Brass	Non-Illuminating	Yellow	2
AAA23500AK103	Brushed Brass	Red	Clear	2
AAA23500AK172	Brushed Brass	Red	Clear	1
AAA23500AK116	Brushed Stainless Steel	Non-Illuminating	Yellow	2
AAA23500AK101	Brushed Stainless Steel	Red	Clear	2
AAA23500AK170	Brushed Stainless Steel	Red	Clear	1
AAA23500AK119	Mirrored Brass	Non-Illuminating	Yellow	2
AAA23500AK104	Mirrored Brass	Red	Clear	2
AAA23500AK173	Mirrored Brass	Red	Clear	1
AAA23500AK117	Mirrored Stainless Steel	Non-Illuminating	Yellow	2
AAA23500AK102	Mirrored Stainless Steel	Red	Clear	2
AAA23500AK171	Mirrored Stainless Steel	Red	Clear	1
AAA23500AK120	White Plastic*	Non-Illuminating	Yellow	2
AAA23500AK105	White Plastic*	Red	Clear	2

Electrical Rating: 120 VAC

Part Number	Target Finish	LED Color	Ring Body Color	No. of Contacts
AAA23500AK188	Brushed Brass	Amber	Clear	1
AAA23500AK186	Brushed Stainless Steel	Amber	Clear	1
AAA23500AK189	Mirrored Brass	Amber	Clear	1
AAA23500AK187	Mirrored Stainless Steel	Amber	Clear	1

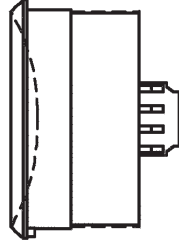
Electrical Rating: 120 VDC

Part Number	Target Finish	LED Color	Ring Body Color	No. of Contacts
AAA23500AK204	Brushed Brass	Amber	Clear	1
AAA23500AK202	Brushed Stainless Steel	Amber	Clear	1
AAA23500AK205	Mirrored Brass	Amber	Clear	1
AAA23500AK203	Mirrored Stainless Steel	Amber	Clear	1

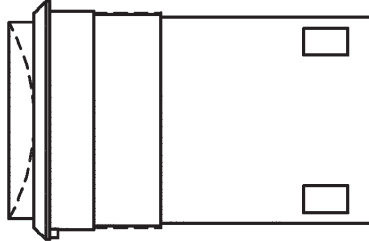
Electrical Rating: 120 V Maximum

Part Number	Target Finish	LED Color	Ring Body Color	No. of Contacts
AAA23500AK220	Brushed Brass	Non-Illuminating	Clear	2
AAA23500AK218	Brushed Stainless Steel	Non-Illuminating	Clear	2
AAA23500AK221	Mirrored Brass	Non-Illuminating	Clear	2
AAA23500AK219	Mirrored Stainless Steel	Non-Illuminating	Clear	2

Pushbuttons

Micro-Motion III Pushbuttons: Concave Flush, Amp Connector**Electrical Rating: 24 VDC**

Part Number	Target Finish	LED Color	Ring Body Color
AAA23500AK28	Brushed Brass	Green	Clear
AAA23500AK43	Brushed Brass	Non-Illuminating	Clear
AAA23500AK58	Brushed Brass	Non-Illuminating	White Opaque
AAA23500AK13	Brushed Brass	Red	Clear
AAA23500AK244	Brushed Brass	White	Clear
AAA23500AK26	Brushed Stainless Steel	Green	Clear
AAA23500AK41	Brushed Stainless Steel	Non-Illuminating	Clear
AAA23500AK56	Brushed Stainless Steel	Non-Illuminating	White Opaque
AAA23500AK11	Brushed Stainless Steel	Red	Clear
AAA23500AK242	Brushed Stainless Steel	White	Clear
AAA23500AK29	Mirrored Brass	Green	Clear
AAA23500AK44	Mirrored Brass	Non-Illuminating	Clear
AAA23500AK59	Mirrored Brass	Non-Illuminating	White Opaque
AAA23500AK14	Mirrored Brass	Red	Clear
AAA23500AK245	Mirrored Brass	White	Clear
AAA23500AK27	Mirrored Stainless Steel	Green	Clear
AAA23500AK42	Mirrored Stainless Steel	Non-Illuminating	Clear
AAA23500AK57	Mirrored Stainless Steel	Non-Illuminating	White Opaque
AAA23500AK12	Mirrored Stainless Steel	Red	Clear
AAA23500AK243	Mirrored Stainless Steel	White	Clear
AAA23500AK30	White Plastic*	Green	Clear
AAA23500AK45	White Plastic*	Non-Illuminating	Clear
AAA23500AK60	White Plastic*	Non-Illuminating	White Opaque
AAA23500AK15	White Plastic*	Red	Clear

Micro-Motion III Pushbuttons: Concave Projecting, Screw Connector**Electrical Rating: 6 VDC**

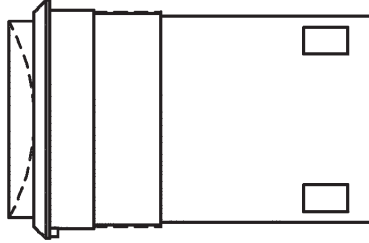
Part Number	Target Finish	LED Color	Ring Body Color	No. of Contacts
AAA23500AK154	Brushed Brass	Red	Clear	2
AAA23500AK168	Brushed Brass	Red	Clear	1
AAA23500AK152	Brushed Stainless Steel	Red	Clear	2
AAA23500AK166	Brushed Stainless Steel	Red	Clear	1
AAA23500AK155	Mirrored Brass	Red	Clear	2
AAA23500AK169	Mirrored Brass	Red	Clear	1
AAA23500AK153	Mirrored Stainless Steel	Red	Clear	2
AAA23500AK167	Mirrored Stainless Steel	Red	Clear	1
AAA23500AK156	White Plastic*	Red	Clear	2

Electrical Rating: 12 VDC

Part Number	Target Finish	LED Color	Ring Body Color	No. of Contacts
AAA23500AK159	Brushed Brass	Red	Clear	2
AAA23500AK176	Brushed Brass	Red	Clear	1
AAA23500AK157	Brushed Stainless Steel	Red	Clear	2
AAA23500AK174	Brushed Stainless Steel	Red	Clear	1
AAA23500AK160	Mirrored Brass	Red	Clear	2
AAA23500AK177	Mirrored Brass	Red	Clear	1
AAA23500AK158	Mirrored Stainless Steel	Red	Clear	2
AAA23500AK175	Mirrored Stainless Steel	Red	Clear	1
AAA23500AK161	White Plastic*	Red	Clear	2

Pushbuttons

Micro-Motion III Pushbuttons: Concave Projecting, Screw Connector (continued)



Electrical Rating: 120 VAC

Part Number	Target Finish	LED Color	Ring Body Color	No. of Contacts
AAA23500AK192	Brushed Brass	Amber	Clear	2 (Type 2)
AAA23500AK190	Brushed Stainless Steel	Amber	Clear	2 (Type 2)
AAA23500AK193	Mirrored Brass	Amber	Clear	2 (Type 2)
AAA23500AK191	Mirrored Stainless Steel	Amber	Clear	2 (Type 2)

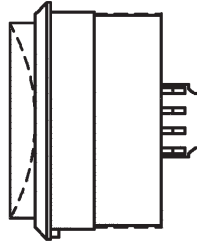
Electrical Rating: 120 VDC

Part Number	Target Finish	LED Color	Ring Body Color	No. of Contacts
AAA23500AK208	Brushed Brass	Amber	Clear	1 (Type 2)
AAA23500AK206	Brushed Stainless Steel	Amber	Clear	1 (Type 2)
AAA23500AK209	Mirrored Brass	Amber	Clear	1 (Type 2)
AAA23500AK207	Mirrored Stainless Steel	Amber	Clear	1 (Type 2)

Electrical Rating: 120 V Maximum

Part Number	Target Finish	LED Color	Ring Body Color	No. of Contacts
AAA23500AK222	Brushed Stainless Steel	Non-Illuminating	Clear	2 (Type 2)
AAA23500AK223	Mirrored Stainless Steel	Non-Illuminating	Clear	2 (Type 2)
AAA23500AK224	Brushed Brass	Non-Illuminating	Clear	2 (Type 2)
AAA23500AK225	Mirrored Brass	Non-Illuminating	Clear	2 (Type 2)

Micro-Motion III Pushbuttons: Concave Projecting, Amp Connector



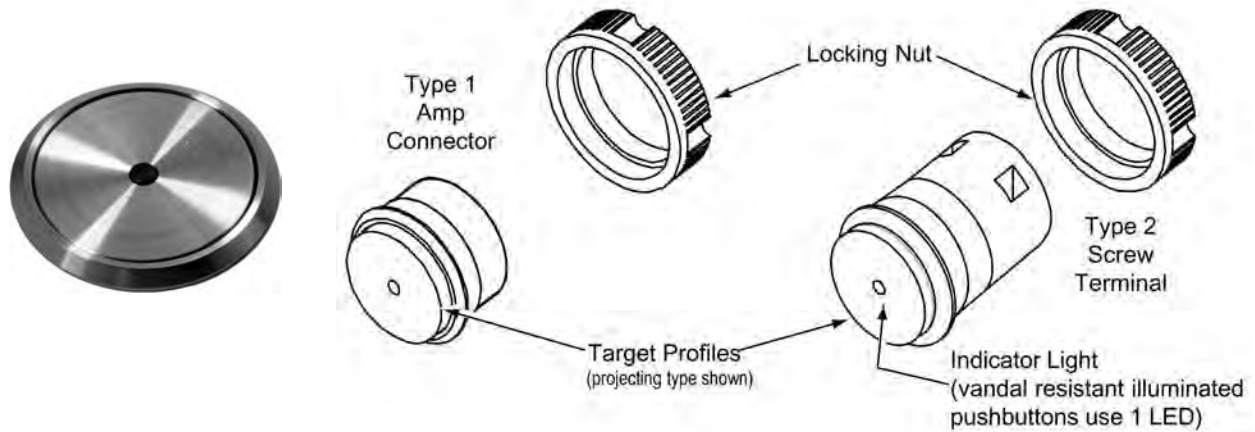
Electrical Rating: 24 VDC

Part Number	Target Finish	LED Color	Ring Body Color
AAA23500AK137	Brushed Stainless Steel	Red	Clear
AAA23500AK138	Mirrored Stainless Steel	Red	Clear
AAA23500AK139	Brushed Brass	Red	Clear
AAA23500AK140	Mirrored Brass	Red	Clear
AAA23500AK141	White Plastic*	Red	Clear
AAA23500AK142	Brushed Stainless Steel	Green	Clear
AAA23500AK143	Mirrored Stainless Steel	Green	Clear
AAA23500AK144	Brushed Brass	Green	Clear
AAA23500AK145	Mirrored Brass	Green	Clear
AAA23500AK146	White Plastic*	Green	Clear
AAA23500AK147	Brushed Stainless Steel	Non-Illuminating	Clear
AAA23500AK148	Mirrored Stainless Steel	Non-Illuminating	Clear
AAA23500AK149	Brushed Brass	Non-Illuminating	Clear
AAA23500AK150	Mirrored Brass	Non-Illuminating	Clear
AAA23500AK151	White Plastic*	Non-Illuminating	Clear

Pushbuttons

AAA23500AM

Micro-Motion III Pushbuttons: Flat Flush, Screw Connector



**Micro-Motion III Pushbutton:
Vandal-Resistant, Style AAA23500AM, Stainless Steel Finish Only**

Electrical Rating: 6 VDC

Part Number	Target Finish	LED Color	No. of Contacts
AAA23500AM7	Stainless Steel	Red	1 (Type 2)
AAA23500AM13	Stainless Steel	Red	2 (Type 2)

Electrical Rating: 30 VDC

Part Number	Target Finish	LED Color	No. of Contacts
AAA23500AM37	Stainless Steel	Amber	1 (Type 2)

Electrical Rating: 120 VAC

Part Number	Target Finish	LED Color	No. of Contacts
AAA23500AM25	Stainless Steel	Amber	1 (Type 2)

Electrical Rating: 120 VDC

Part Number	Target Finish	LED Color	No. of Contacts
AAA23500AM29	Stainless Steel	Amber	1 (Type 2)

Electrical Rating: 120 V Maximum

Part Number	Target Finish	LED Color	No. of Contacts
AAA23500AM33	Stainless Steel	Non-Illuminating	2 (Type 2)

Micro-Motion III Pushbuttons: Flat Flush, Amp Connector

Electrical Rating: 24 VDC

Part Number	Target Finish	LED Color
AAA23500AM1	Stainless Steel	Red
AAA23500AM4	Stainless Steel	Non-Illuminating

Micro-Motion III Pushbuttons: Flat Projecting, Screw Connector

Electrical Rating: 6 VDC

Part Number	Target Finish	LED Color	No. of Contacts
AAA23500AM8	Stainless Steel	Red	1 (Type 2)
AAA23500AM14	Stainless Steel	Red	2 (Type 2)

Electrical Rating: 12 VDC

Part Number	Target Finish	LED Color	No. of Contacts
AAA23500AM11	Stainless Steel	Red	1 (Type 2)
AAA23500AM17	Stainless Steel	Red	2 (Type 2)

Electrical Rating: 30 VDC

Part Number	Target Finish	LED Color	No. of Contacts
AAA23500AM38	Stainless Steel	Amber	1 (Type 2)

Electrical Rating: 120 VAC

Part Number	Target Finish	LED Color	No. of Contacts
AAA23500AM26	Stainless Steel	Amber	1 (Type 2)

Electrical Rating: 120 VDC

Part Number	Target Finish	LED Color	No. of Contacts
AAA23500AM30	Stainless Steel	Amber	1 (Type 2)

Electrical Rating: 120 V Maximum

Part Number	Target Finish	LED Color	No. of Contacts
AAA23500AM34	Stainless Steel	Non-Illuminating	2 (Type 2)

Pushbuttons

Micro-Motion III Pushbuttons: Flat Projecting, Amp Connector**Electrical Rating: 24 VDC**

Part Number	Target Finish	LED Color
AAA23500AM2	Stainless Steel	Red
AAA23500AM5	Stainless Steel	Non-Illuminating

Micro-Motion III Pushbuttons: Concave Flush, Screw Connector**Electrical Rating: 6 VDC**

Part Number	Target Finish	LED Color	No. of Contacts
AAA23500AM9	Stainless Steel	Red	1 (Type 2)
AAA23500AM15	Stainless Steel	Red	2 (Type 2)

Electrical Rating: 12 VDC

Part Number	Target Finish	LED Color	No. of Contacts
AAA23500AM12	Stainless Steel	Red	1 (Type 2)
AAA23500AM18	Stainless Steel	Red	2 (Type 2)

Electrical Rating: 120 VAC

Part Number	Target Finish	LED Color	No. of Contacts
AAA23500AM27	Stainless Steel	Amber	1 (Type 2)

Electrical Rating: 120 VDC

Part Number	Target Finish	LED Color	No. of Contacts
AAA23500AM31	Stainless Steel	Amber	1 (Type 2)

Electrical Rating: 120 V Maximum

Part Number	Target Finish	LED Color	No. of Contacts
AAA23500AM35	Stainless Steel	Non-Illuminating	2 (Type 2)

Micro-Motion III Pushbuttons: Concave Flush, Amp Connector

Electrical Rating: 24 VDC

Part Number	Target Finish	LED Color
AAA23500AM3	Stainless Steel	Red
AAA23500AM6	Stainless Steel	Non-Illuminating

Micro-Motion III Pushbuttons: Concave Projecting, Screw Connector

Electrical Rating: 6 VDC

Part Number	Target Finish	LED Color	No. of Contacts
AAA23500AM23	Stainless Steel	Red	1 (Type 2)
AAA23500AM21	Stainless Steel	Red	2 (Type 2)

Electrical Rating: 12 VDC

Part Number	Target Finish	LED Color	No. of Contacts
AAA23500AM24	Stainless Steel	Red	1 (Type 2)
AAA23500AM22	Stainless Steel	Red	2 (Type 2)

Electrical Rating: 120 VAC

Part Number	Target Finish	LED Color	No. of Contacts
AAA23500AM28	Stainless Steel	Amber	1 (Type 2)

Electrical Rating: 120 VDC

Part Number	Target Finish	LED Color	No. of Contacts
AAA23500AM32	Stainless Steel	Amber	1 (Type 2)

Electrical Rating: 120 V Maximum

Part Number	Target Finish	LED Color	No. of Contacts
AAA23500AM36	Stainless Steel	Non-Illuminating	2 (Type 2)

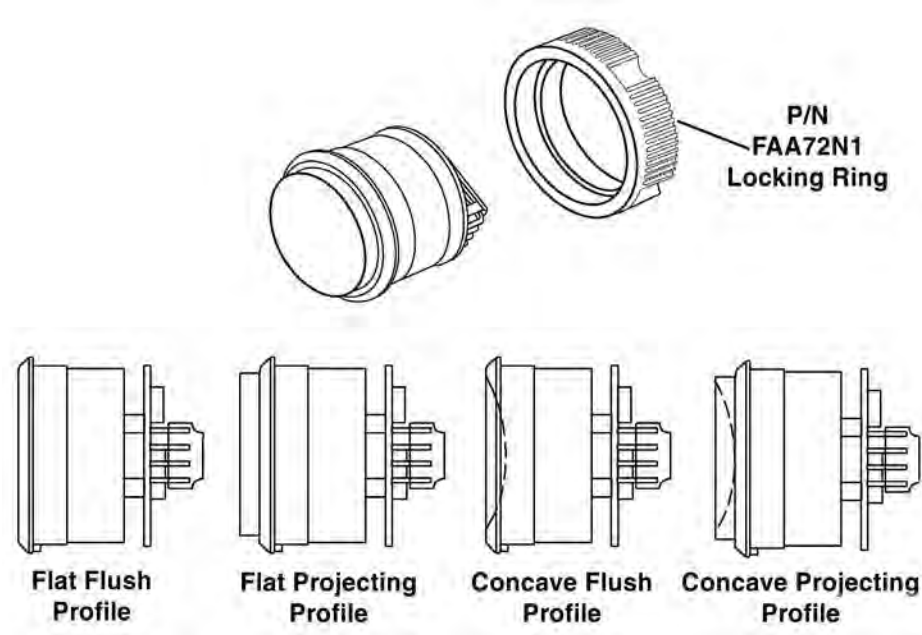
Pushbuttons

Micro-Motion III Pushbuttons: Concave Projecting, Amp Connector**Electrical Rating: 24 VDC**

Part Number	Target Finish	LED Color
AAA23500AM19	Stainless Steel	Red
AAA23500AM20	Stainless Steel	Non-Illuminating

AAA23500AQ

Motionless II Pushbutton, Luxury Fixtures, Flat Flush



Electrical Rating: 24 VDC

Part Number	Target Finish	LED Color
AAA23500AQ20	Mirrored Bronze	Green
AAA23500AQ4	Mirrored Bronze	Red
AAA23500AQ18	Mirrored Stainless Steel	Green
AAA23500AQ2	Mirrored Stainless Steel	Red
AAA23500AQ19	Satin Bronze	Green
AAA23500AQ3	Satin Bronze	Red
AAA23500AQ17	Satin Stainless Steel	Green
AAA23500AQ1	Satin Stainless Steel	Red

Pushbuttons

Motionless II Pushbutton, Luxury Fixtures, Flat Projecting**Electrical Rating: 24 VDC**

Part Number	Target Finish	LED Color
AAA23500AQ24	Mirrored Bronze	Green
AAA23500AQ8	Mirrored Bronze	Red
AAA23500AQ22	Mirrored Stainless Steel	Green
AAA23500AQ6	Mirrored Stainless Steel	Red
AAA23500AQ23	Satin Bronze	Green
AAA23500AQ7	Satin Bronze	Red
AAA23500AQ21	Satin Stainless Steel	Green
AAA23500AQ5	Satin Stainless Steel	Red

Motionless II Pushbutton, Luxury Fixtures, Concave Flush**Electrical Rating: 24 VDC**

Part Number	Target Finish	LED Color
AAA23500AQ28	Mirrored Bronze	Green
AAA23500AQ12	Mirrored Bronze	Red
AAA23500AQ26	Mirrored Stainless Steel	Green
AAA23500AQ10	Mirrored Stainless Steel	Red
AAA23500AQ27	Satin Bronze	Green
AAA23500AQ11	Satin Bronze	Red
AAA23500AQ25	Satin Stainless Steel	Green
AAA23500AQ9	Satin Stainless Steel	Red

Motionless II Pushbutton, Luxury Fixtures, Concave Projecting

Electrical Rating: 24 VDC

Part Number	Target Finish	LED Color
AAA23500AQ32	Mirrored Bronze	Green
AAA23500AQ16	Mirrored Bronze	Red
AAA23500AQ30	Mirrored Stainless Steel	Green
AAA23500AQ14	Mirrored Stainless Steel	Red
AAA23500AQ31	Satin Bronze	Green
AAA23500AQ15	Satin Bronze	Red
AAA23500AQ29	Satin Stainless Steel	Green
AAA23500AQ13	Satin Stainless Steel	Red

Pushbuttons

AAA23500BY

Fixtures in this group come in four available finishes:

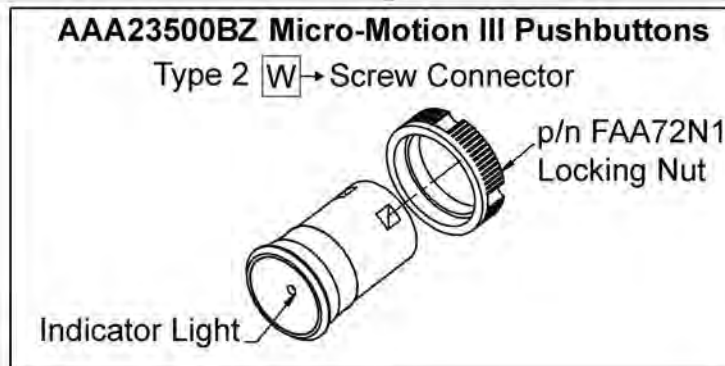
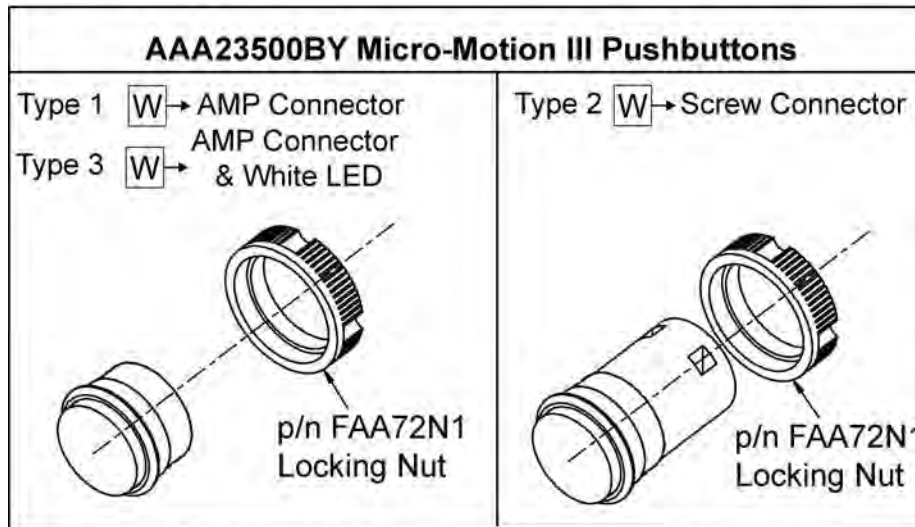
- Brushed Stainless Steel (SS4)
- Mirrored Stainless Steel (SS8)
- Brushed Brass (BR7)
- Mirrored Brass (BR8)

AAA23500BY: Micro-motion III pushbuttons come in three varieties:

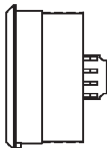
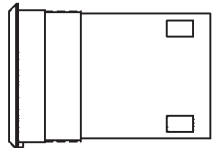
- Type 1 pushbuttons use amp connectors
- Type 2 pushbuttons use screw connector.
- Type 3 pushbuttons used amp connectors and have white LEDs.

AAA23500BZ: Pushbuttons are only available with screw connectors (type 2).

NOTE: Order FAA72N1 locking nuts separately because they are not provided with the buttons.



Micro-Motion III Pushbuttons: Flat Flush, Screw Connector

TARGET PROFILE	Type 1 AMP Connector	Type 2 Screw Connector
FLAT FLUSH		

Electrical Rating: 6 VDC

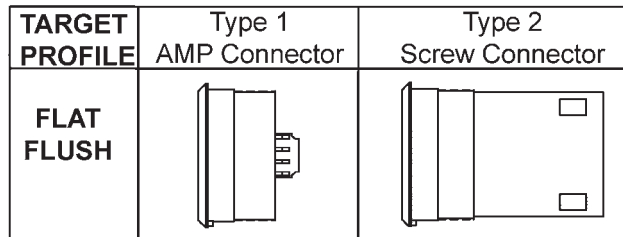
Part Number	Target Finish	LED Color	Ring Body Color	No. of Contacts
AAA23500BY11	Brushed Brass	Non-Illuminating	Yellow	2
AAA23500BY3	Brushed Brass	Red	Clear	1
AAA23500BY7	Brushed Brass	Red	Clear	2
AAA23500BY9	Brushed Stainless Steel	Non-Illuminating	Yellow	2
AAA23500BY1	Brushed Stainless Steel	Red	Clear	1
AAA23500BY5	Brushed Stainless Steel	Red	Clear	2
AAA23500BY12	Mirrored Brass	Non-Illuminating	Yellow	2
AAA23500BY4	Mirrored Brass	Red	Clear	1
AAA23500BY8	Mirrored Brass	Red	Clear	2
AAA23500BY10	Mirrored Stainless Steel	Non-Illuminating	Yellow	2
AAA23500BY2	Mirrored Stainless Steel	Red	Clear	1
AAA23500BY6	Mirrored Stainless Steel	Red	Clear	2

Electrical Rating: 12 VDC

Part Number	Target Finish	LED Color	Ring Body Color	No. of Contacts
AAA23500BY23	Brushed Brass	Non-Illuminating	Yellow	2
AAA23500BY15	Brushed Brass	Red	Clear	1
AAA23500BY19	Brushed Brass	Red	Clear	2
AAA23500BY21	Brushed Stainless Steel	Non-Illuminating	Yellow	2
AAA23500BY13	Brushed Stainless Steel	Red	Clear	1
AAA23500BY17	Brushed Stainless Steel	Red	Clear	2
AAA23500BY24	Mirrored Brass	Non-Illuminating	Yellow	2
AAA23500BY16	Mirrored Brass	Red	Clear	1
AAA23500BY20	Mirrored Brass	Red	Clear	2
AAA23500BY22	Mirrored Stainless Steel	Non-Illuminating	Yellow	2
AAA23500BY14	Mirrored Stainless Steel	Red	Clear	1
AAA23500BY18	Mirrored Stainless Steel	Red	Clear	2

Pushbuttons

Micro-Motion III Pushbuttons: Flat Flush, Screw Connector (continued)



Electrical Rating: 30 VDC

Part Number	Target Finish	LED Color	Ring Body Color	No. of Contacts
AAA23500BY39	Brushed Brass	Amber	Clear	1
AAA23500BY37	Brushed Stainless Steel	Amber	Clear	1
AAA23500BY40	Mirrored Brass	Amber	Clear	1
AAA23500BY38	Mirrored Stainless Steel	Amber	Clear	1

Electrical Rating: 120 VAC

Part Number	Target Finish	LED Color	Ring Body Color	No. of Contacts
AAA23500BY43	Brushed Brass	Amber	Clear	1
AAA23500BY41	Brushed Stainless Steel	Amber	Clear	1
AAA23500BY44	Mirrored Brass	Amber	Clear	1
AAA23500BY42	Mirrored Stainless Steel	Amber	Clear	1


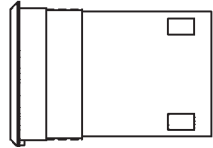
Electrical Rating: 120 VDC

Part Number	Target Finish	LED Color	Ring Body Color	No. of Contacts
AAA23500BY47	Brushed Brass	Amber	Clear	1
AAA23500BY45	Brushed Stainless Steel	Amber	Clear	1
AAA23500BY48	Mirrored Brass	Amber	Clear	1
AAA23500BY46	Mirrored Stainless Steel	Amber	Clear	1

Electrical Rating: 120 V Max

Part Number	Target Finish	LED Color	Ring Body Color	No. of Contacts
AAA23500BY51	Brushed Brass	Non-Illuminating	Clear	2
AAA23500BY49	Brushed Stainless Steel	Non-Illuminating	Clear	2
AAA23500BY52	Mirrored Brass	Non-Illuminating	Clear	2
AAA23500BY50	Mirrored Stainless Steel	Non-Illuminating	Clear	2

Micro-Motion III Pushbuttons: Flat Flush, Amp Connector

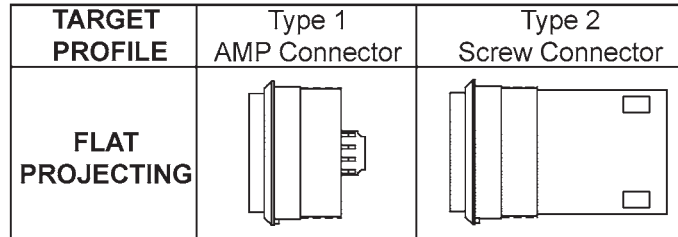
TARGET PROFILE	Type 1 AMP Connector	Type 2 Screw Connector
FLAT FLUSH		

Electrical Rating: 24 VDC

Part Number	Target Finish	LED Color	Ring Body Color
AAA23500BY27	Brushed Brass	Green	Clear
AAA23500BY29	Brushed Brass	Non-Illuminating	Clear
AAA23500BY31	Brushed Brass	Non-Illuminating	White Opaque
AAA23500BY25	Brushed Brass	Red	Clear
AAA23500BY35	Brushed Brass	White	Clear
AAA23500BY33	Brushed Stainless Steel	White	Clear
AAA23500BY28	Mirrored Brass	Green	Clear
AAA23500BY30	Mirrored Brass	Non-Illuminating	Clear
AAA23500BY32	Mirrored Brass	Non-Illuminating	White Opaque
AAA23500BY26	Mirrored Brass	Red	Clear
AAA23500BY36	Mirrored Brass	White	Clear
AAA23500BY34	Mirrored Stainless Steel	White	Clear

Pushbuttons

Micro-Motion III Pushbuttons: Flat Projecting, Screw Connector



Electrical Rating: 6 VDC

Part Number	Target Finish	LED Color	Ring Body Color	No. of Contacts
AAA23500BY63	Brushed Brass	Non-Illuminating	Yellow	2
AAA23500BY55	Brushed Brass	Red	Clear	1
AAA23500BY59	Brushed Brass	Red	Clear	2
AAA23500BY61	Brushed Stainless Steel	Non-Illuminating	Yellow	2
AAA23500BY53	Brushed Stainless Steel	Red	Clear	1
AAA23500BY57	Brushed Stainless Steel	Red	Clear	2
AAA23500BY64	Mirrored Brass	Non-Illuminating	Yellow	2
AAA23500BY56	Mirrored Brass	Red	Clear	1
AAA23500BY60	Mirrored Brass	Red	Clear	2
AAA23500BY62	Mirrored Stainless Steel	Non-Illuminating	Yellow	2
AAA23500BY54	Mirrored Stainless Steel	Red	Clear	1
AAA23500BY58	Mirrored Stainless Steel	Red	Clear	2

Electrical Rating: 12 VDC

Part Number	Target Finish	LED Color	Ring Body Color	No. of Contacts
AAA23500BY75	Brushed Brass	Non-Illuminating	Yellow	2
AAA23500BY67	Brushed Brass	Red	Clear	1
AAA23500BY71	Brushed Brass	Red	Clear	2
AAA23500BY73	Brushed Stainless Steel	Non-Illuminating	Yellow	2
AAA23500BY65	Brushed Stainless Steel	Red	Clear	1
AAA23500BY69	Brushed Stainless Steel	Red	Clear	2
AAA23500BY76	Mirrored Brass	Non-Illuminating	Yellow	2
AAA23500BY68	Mirrored Brass	Red	Clear	1
AAA23500BY72	Mirrored Brass	Red	Clear	2
AAA23500BY74	Mirrored Stainless Steel	Non-Illuminating	Yellow	2
AAA23500BY66	Mirrored Stainless Steel	Red	Clear	1
AAA23500BY70	Mirrored Stainless Steel	Red	Clear	2

Electrical Rating: 30 VDC

Part Number	Target Finish	LED Color	Ring Body Color	No. of Contacts
AAA23500BY91	Brushed Brass	Amber	Clear	1
AAA23500BY89	Brushed Stainless Steel	Amber	Clear	1
AAA23500BY92	Mirrored Brass	Amber	Clear	1
AAA23500BY90	Mirrored Stainless Steel	Amber	Clear	1

Electrical Rating: 120 VAC

Part Number	Target Finish	LED Color	Ring Body Color	No. of Contacts
AAA23500BY95	Brushed Brass	Amber	Clear	1
AAA23500BY93	Brushed Stainless Steel	Amber	Clear	1
AAA23500BY96	Mirrored Brass	Amber	Clear	1
AAA23500BY94	Mirrored Stainless Steel	Amber	Clear	1

Electrical Rating: 120 VDC

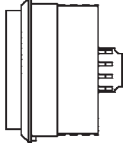
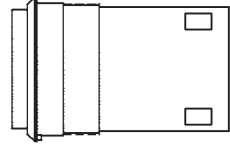
Part Number	Target Finish	LED Color	Ring Body Color	No. of Contacts
AAA23500BY99	Brushed Brass	Amber	Clear	1
AAA23500BY97	Brushed Stainless Steel	Amber	Clear	1
AAA23500BY100	Mirrored Brass	Amber	Clear	1
AAA23500BY98	Mirrored Stainless Steel	Amber	Clear	1

Electrical Rating: 120 V Max

Part Number	Target Finish	LED Color	Ring Body Color	No. of Contacts
AAA23500BY103	Brushed Brass	Non-Illuminating	Clear	2
AAA23500BY101	Brushed Stainless Steel	Non-Illuminating	Clear	2
AAA23500BY104	Mirrored Brass	Non-Illuminating	Clear	2
AAA23500BY102	Mirrored Stainless Steel	Non-Illuminating	Clear	2

Pushbuttons

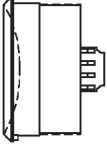
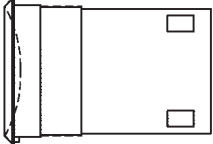
Micro-Motion III Pushbuttons: Flat Projecting, Amp Connector

TARGET PROFILE	Type 1 AMP Connector	Type 2 Screw Connector
FLAT PROJECTING		

Electrical Rating: 24 VDC

Part Number	Target Finish	LED Color	Ring Body Color
AAA23500BY79	Brushed Brass	Green	Clear
AAA23500BY81	Brushed Brass	Non-Illuminating	Clear
AAA23500BY83	Brushed Brass	Non-Illuminating	White Opaque
AAA23500BY77	Brushed Brass	Red	Clear
AAA23500BY87	Brushed Brass	White	Clear
AAA23500BY85	Brushed Stainless Steel	White	Clear
AAA23500BY80	Mirrored Brass	Green	Clear
AAA23500BY82	Mirrored Brass	Non-Illuminating	Clear
AAA23500BY84	Mirrored Brass	Non-Illuminating	White Opaque
AAA23500BY78	Mirrored Brass	Red	Clear
AAA23500BY88	Mirrored Brass	White	Clear
AAA23500BY86	Mirrored Stainless Steel	White	Clear

Micro-Motion III Pushbuttons: Concave Flush, Screw Connector

TARGET PROFILE	Type 1 AMP Connector	Type 2 Screw Connector
CONCAVE FLUSH		

Electrical Rating: 6 VDC

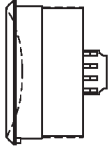
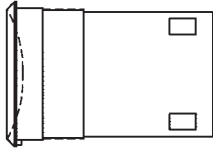
Part Number	Target Finish	LED Color	Ring Body Color	No. of Contacts
AAA23500BY115	Brushed Brass	Non-Illuminating	Yellow	2
AAA23500BY107	Brushed Brass	Red	Clear	1
AAA23500BY111	Brushed Brass	Red	Clear	2
AAA23500BY113	Brushed Stainless Steel	Non-Illuminating	Yellow	2
AAA23500BY105	Brushed Stainless Steel	Red	Clear	1
AAA23500BY109	Brushed Stainless Steel	Red	Clear	2
AAA23500BY116	Mirrored Brass	Non-Illuminating	Yellow	2
AAA23500BY108	Mirrored Brass	Red	Clear	1
AAA23500BY112	Mirrored Brass	Red	Clear	2
AAA23500BY114	Mirrored Stainless Steel	Non-Illuminating	Yellow	2
AAA23500BY106	Mirrored Stainless Steel	Red	Clear	1
AAA23500BY110	Mirrored Stainless Steel	Red	Clear	2

Electrical Rating: 12 VDC

Part Number	Target Finish	LED Color	Ring Body Color	No. of Contacts
AAA23500BY127	Brushed Brass	Non-Illuminating	Yellow	2
AAA23500BY119	Brushed Brass	Red	Clear	1
AAA23500BY123	Brushed Brass	Red	Clear	2
AAA23500BY125	Brushed Stainless Steel	Non-Illuminating	Yellow	2
AAA23500BY117	Brushed Stainless Steel	Red	Clear	1
AAA23500BY121	Brushed Stainless Steel	Red	Clear	2
AAA23500BY128	Mirrored Brass	Non-Illuminating	Yellow	2
AAA23500BY120	Mirrored Brass	Red	Clear	1
AAA23500BY124	Mirrored Brass	Red	Clear	2
AAA23500BY126	Mirrored Stainless Steel	Non-Illuminating	Yellow	2
AAA23500BY118	Mirrored Stainless Steel	Red	Clear	1
AAA23500BY122	Mirrored Stainless Steel	Red	Clear	2

Pushbuttons

Micro-Motion III Pushbuttons: Concave Flush, Screw Connector (continued)

TARGET PROFILE	Type 1 AMP Connector	Type 2 Screw Connector
CONCAVE FLUSH		

Electrical Rating: 120 VAC

Part Number	Target Finish	LED Color	Ring Body Color	No. of Contacts
AAA23500BY143	Brushed Brass	Amber	Clear	1
AAA23500BY141	Brushed Stainless Steel	Amber	Clear	1
AAA23500BY144	Mirrored Brass	Amber	Clear	1
AAA23500BY142	Mirrored Stainless Steel	Amber	Clear	1


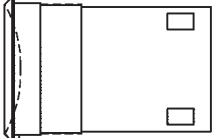
Electrical Rating: 120 VDC

Part Number	Target Finish	LED Color	Ring Body Color	No. of Contacts
AAA23500BY147	Brushed Brass	Amber	Clear	1
AAA23500BY145	Brushed Stainless Steel	Amber	Clear	1
AAA23500BY148	Mirrored Brass	Amber	Clear	1
AAA23500BY146	Mirrored Stainless Steel	Amber	Clear	1

Electrical Rating: 120 V Max

Part Number	Target Finish	LED Color	Ring Body Color	No. of Contacts
AAA23500BY151	Brushed Brass	Non-Illuminating	Clear	2
AAA23500BY149	Brushed Stainless Steel	Non-Illuminating	Clear	2
AAA23500BY152	Mirrored Brass	Non-Illuminating	Clear	2
AAA23500BY150	Mirrored Stainless Steel	Non-Illuminating	Clear	2

Micro-Motion III Pushbuttons: Concave Flush, Amp Connector

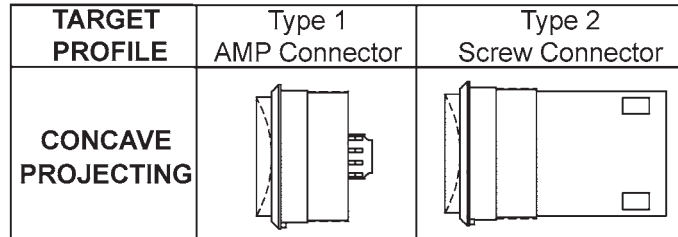
TARGET PROFILE	Type 1 AMP Connector	Type 2 Screw Connector
CONCAVE FLUSH		

Electrical Rating: 24 VDC

Part Number	Target Finish	LED Color	Ring Body Color
AAA23500BY129	Brushed Brass	Red	Clear
AAA23500BY130	Mirrored Brass	Red	Clear
AAA23500BY131	Brushed Brass	Green	Clear
AAA23500BY132	Mirrored Brass	Green	Clear
AAA23500BY133	Brushed Brass	Non-Illuminating	Clear
AAA23500BY134	Mirrored Brass	Non-Illuminating	Clear
AAA23500BY135	Brushed Brass	Non-Illuminating	White Opaque
AAA23500BY136	Mirrored Brass	Non-Illuminating	White Opaque
AAA23500BY137	Brushed Stainless Steel	White	Clear
AAA23500BY138	Mirrored Stainless Steel	White	Clear
AAA23500BY139	Brushed Brass	White	Clear
AAA23500BY140	Mirrored Brass	White	Clear

Pushbuttons

Micro-Motion III Pushbuttons: Concave Projecting, Screw Connector



Electrical Rating: 6 VDC

Part Number	Target Finish	LED Color	Ring Body Color	No. of Contacts
AAA23500BY155	Brushed Brass	Red	Clear	1
AAA23500BY163	Brushed Brass	Red	Clear	1
AAA23500BY159	Brushed Brass	Red	Clear	2
AAA23500BY153	Brushed Stainless Steel	Red	Clear	1
AAA23500BY161	Brushed Stainless Steel	Red	Clear	1
AAA23500BY157	Brushed Stainless Steel	Red	Clear	2
AAA23500BY156	Mirrored Brass	Red	Clear	1
AAA23500BY164	Mirrored Brass	Red	Clear	1
AAA23500BY160	Mirrored Brass	Red	Clear	2
AAA23500BY154	Mirrored Stainless Steel	Red	Clear	1
AAA23500BY162	Mirrored Stainless Steel	Red	Clear	1
AAA23500BY158	Mirrored Stainless Steel	Red	Clear	2

Electrical Rating: 12 VDC

Part Number	Target Finish	LED Color	Ring Body Color	No. of Contacts
AAA23500BY167	Brushed Brass	Red	Clear	2
AAA23500BY165	Brushed Stainless Steel	Red	Clear	2
AAA23500BY168	Mirrored Brass	Red	Clear	2
AAA23500BY166	Mirrored Stainless Steel	Red	Clear	2

Electrical Rating: 120 VAC

Part Number	Target Finish	LED Color	Ring Body Color	No. of Contacts
AAA23500BY177	Brushed Brass	Amber	Clear	1
AAA23500BY175	Brushed Stainless Steel	Amber	Clear	1
AAA23500BY178	Mirrored Brass	Amber	Clear	1
AAA23500BY176	Mirrored Stainless Steel	Amber	Clear	1

Electrical Rating: 120 VDC

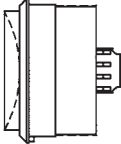
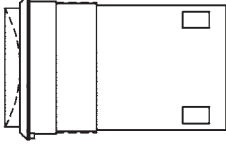
Part Number	Target Finish	LED Color	Ring Body Color	No. of Contacts
AAA23500BY181	Brushed Brass	Amber	Clear	1
AAA23500BY179	Brushed Stainless Steel	Amber	Clear	1
AAA23500BY182	Mirrored Brass	Amber	Clear	1
AAA23500BY180	Mirrored Stainless Steel	Amber	Clear	1

Electrical Rating: 120 V Max

Part Number	Target Finish	LED Color	Ring Body Color	No. of Contacts
AAA23500BY185	Brushed Brass	Non-Illuminating	Clear	2
AAA23500BY183	Brushed Stainless Steel	Non-Illuminating	Clear	2
AAA23500BY186	Mirrored Brass	Non-Illuminating	Clear	2
AAA23500BY184	Mirrored Stainless Steel	Non-Illuminating	Clear	2

Pushbuttons

Micro-Motion III Pushbuttons: Concave Projecting, Amp Connector

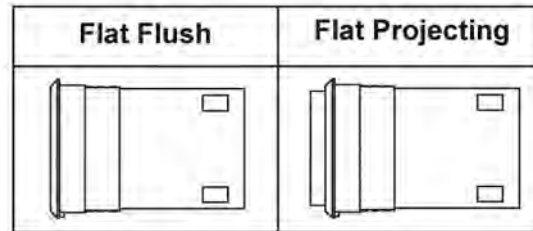
TARGET PROFILE	Type 1 AMP Connector	Type 2 Screw Connector
CONCAVE PROJECTING		

Electrical Rating: 24 VDC

Part Number	Target Finish	LED Color	Ring Body Color
AAA23500BY171	Brushed Brass	Green	Clear
AAA23500BY173	Brushed Brass	Non-Illuminating	Clear
AAA23500BY169	Brushed Brass	Red	Clear
AAA23500BY172	Mirrored Brass	Green	Clear
AAA23500BY174	Mirrored Brass	Non-Illuminating	Clear
AAA23500BY170	Mirrored Brass	Red	Clear

AAA23500BZ

Micro-Motion III Vandal-Resistant Pushbutton: Flat Flush, Screw Connector



Electrical Rating: 6 VDC

Part Number	LED Color	No. of Contacts
AAA23500BZ1	Red	1
AAA23500BZ2	Red	2

Electrical Rating: 12 VDC

Part Number	LED Color	No. of Contacts
AAA23500BZ3	Red	1
AAA23500BZ4	Red	2

Electrical Rating: 30 VDC

Part Number	LED Color	No. of Contacts
AAA23500BZ5	Amber	1

Electrical Rating: 120 VAC

Part Number	LED Color	No. of Contacts
AAA23500BZ6	Amber	1

Electrical Rating: 120 VDC

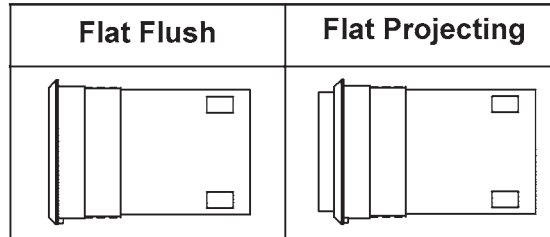
Part Number	LED Color	No. of Contacts
AAA23500BZ7	Amber	1

Electrical Rating: 120 V Maximum

Part Number	LED Color	No. of Contacts
AAA23500BZ8	Non-Illuminating	2

Pushbuttons

Micro-Motion III Vandal-Resistant Pushbutton: Flat Projecting, Screw Connector



Electrical Rating: 6 VDC

Part Number	LED Color	No. of Contacts
AAA23500BZ9	Red	1
AAA23500BZ10	Red	2

Electrical Rating: 12 VDC

Part Number	LED Color	No. of Contacts
AAA23500BZ11	Red	1
AAA23500BZ12	Red	2

Electrical Rating: 30 VDC

Part Number	LED Color	No. of Contacts
AAA23500BZ13	Amber	1

Electrical Rating: 120 VAC

Part Number	LED Color	No. of Contacts
AAA23500BZ14	Amber	1

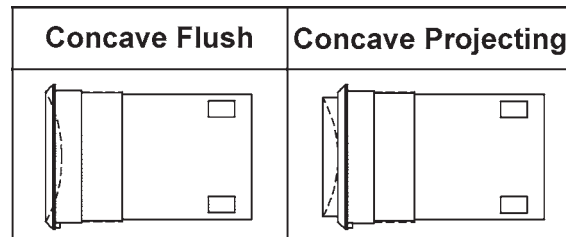
Electrical Rating: 120 VDC

Part Number	LED Color	No. of Contacts
AAA23500BZ15	Amber	1

Electrical Rating: 120 V Maximum

Part Number	LED Color	No. of Contacts
AAA23500BZ16	Non-Illuminating	2

Micro-Motion III Vandal-Resistant Pushbutton: Concave Flush, Screw Connector



Electrical Rating: 6 VDC

Part Number	LED Color	No. of Contacts
AAA23500BZ17	Red	1
AAA23500BZ18	Red	2

Electrical Rating: 12 VDC

Part Number	LED Color	No. of Contacts
AAA23500BZ19	Red	1
AAA23500BZ20	Red	2

Electrical Rating: 120 VAC

Part Number	LED Color	No. of Contacts
AAA23500BZ21	Amber	1

Electrical Rating: 120 VDC

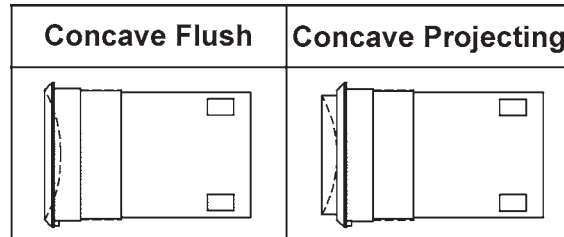
Part Number	LED Color	No. of Contacts
AAA23500BZ22	Amber	1

Electrical Rating: 120 V Maximum

Part Number	LED Color	No. of Contacts
AAA23500BZ23	Non-Illuminating	2

Pushbuttons

Micro-Motion III Vandal-Resistant Pushbutton: Concave Projecting, Screw Connector



Electrical Rating: 6 VDC

Part Number	LED Color	No. of Contacts
AAA23500BZ24	Red	1
AAA23500BZ25	Red	2

Electrical Rating: 12 VDC

Part Number	LED Color	No. of Contacts
AAA23500BZ26	Red	1
AAA23500BZ27	Red	2

Electrical Rating: 120 VAC

Part Number	LED Color	No. of Contacts
AAA23500BZ28	Amber	1

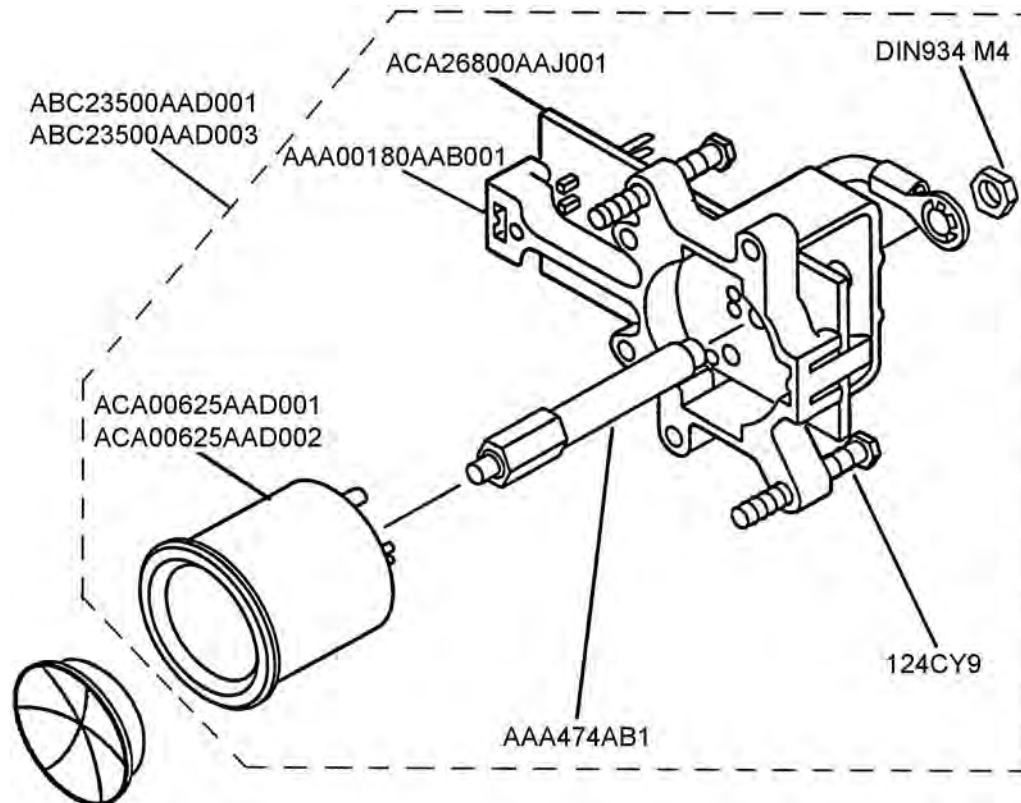
Electrical Rating: 120 VDC

Part Number	LED Color	No. of Contacts
AAA23500BZ29	Amber	1

Electrical Rating: 120 V Maximum

Part Number	LED Color	No. of Contacts
AAA23500BZ30	Non-Illuminating	2

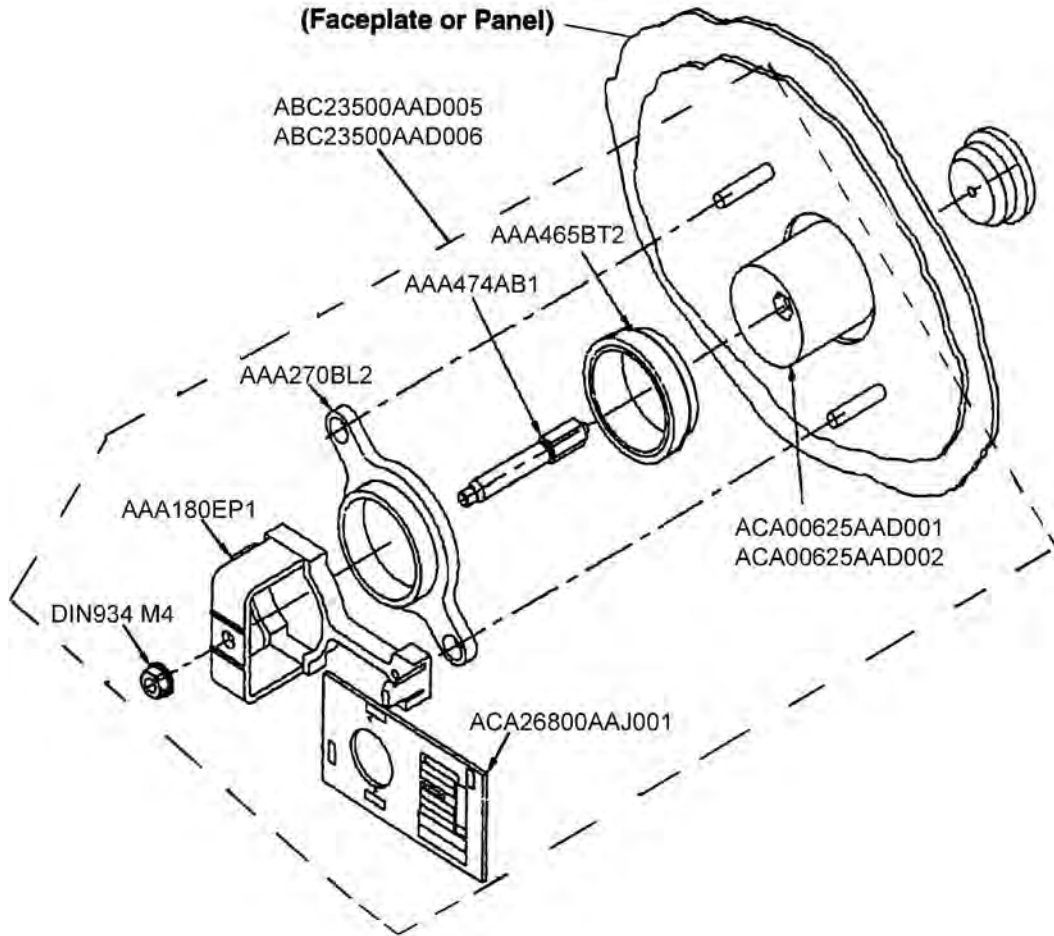
AAA23500AAD, Motionless Button



Part Number.	Description
ABC23500AAD003	Down Button Assembly, Red
ABC23500AAD001	Up Button Assembly, Green
AAA00180AAB001	Holder
ACA00625AAD002	Light Ring, LED, Green
ACA00625AAD001	Light Ring, LED, Red
DIN934 M4	Nut, Machine Screw, M4
ACA26800AAJ001	PC Board, Motionless Button
124CY9	Screw, Pan Head Tapping, qty. 4, 2 x 25 mm
AAA474AB1	Stem

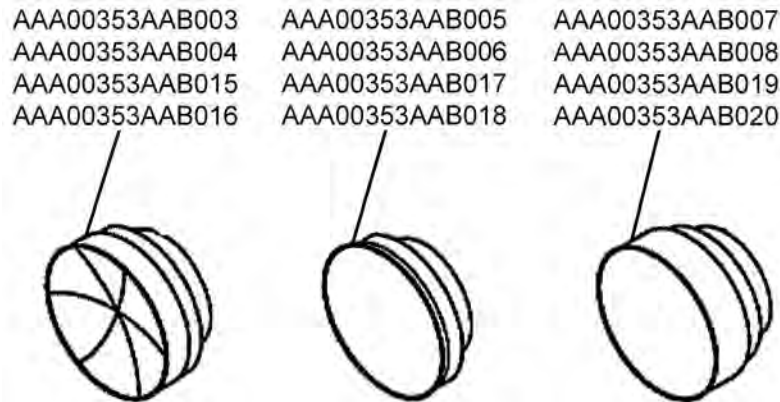
Pushbuttons

AAA23500AAD, Motionless Button (continued)



Part Number	Description
AAA270BL2	Button Adapter
ABC23500AAD005	Button Assembly, Green Illumination
ABC23500AAD006	Button Assembly, Red Illumination
AAA180EP1	Holder
ACA00625AAD002	Light Ring, LED, Green
ACA00625AAD001	Light Ring, LED, Red
DIN934 M4	Nut, Machine Screw, M4
ACA26800AAJ001	PC Board, Motionless Button
AAA465BT2	Sleeve, Adapter Button
AAA474AB1	Stem

Disks for Motionless Buttons

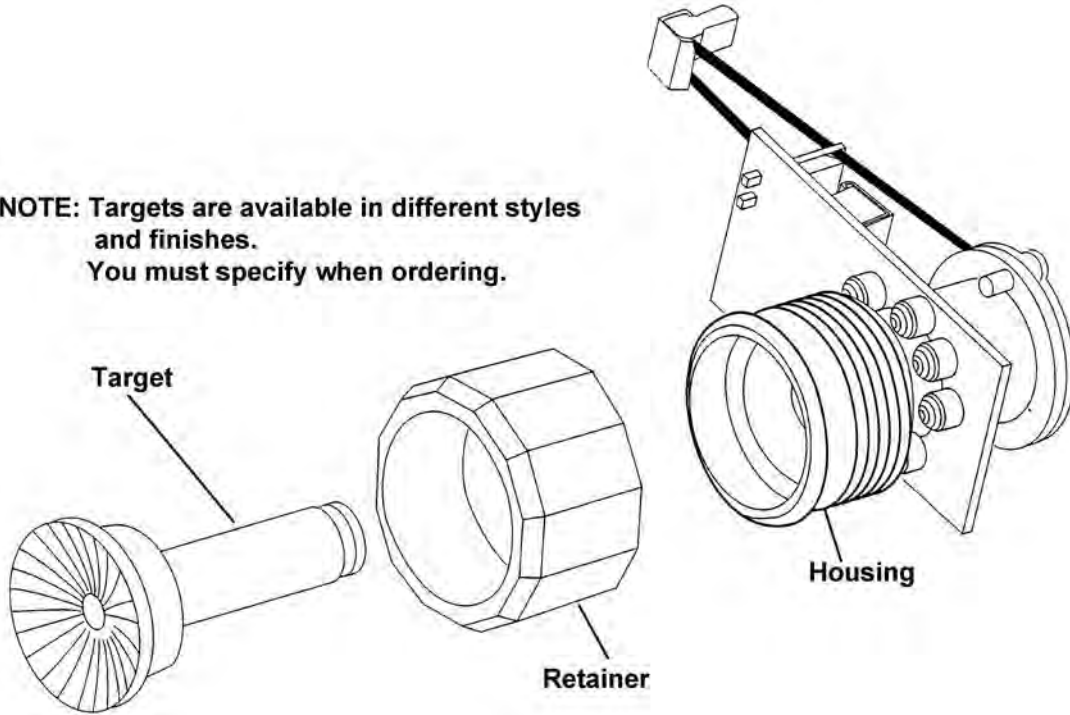


Part Number	Description
AAA00353AAB015	Disk, Concave Face, Bronze, Brushed Finish, California Projection
AAA00353AAB003	Disk, Concave Face, Bronze, Mirror Finish, California Projection
AAA00353AAB016	Disk, Concave Face, Stainless Steel, Brushed Finish, California Projection
AAA00353AAB004	Disk, Concave Face, Stainless Steel, Mirror Finish, California Projection
AAA00353AAB017	Disk, Flat Face, Bronze, Brushed Finish
AAA00353AAB019	Disk, Flat Face, Bronze, Brushed Finish, California Projection
AAA00353AAB005	Disk, Flat Face, Bronze, Mirror Finish
AAA00353AAB007	Disk, Flat Face, Bronze, Mirror Finish, California Projection
AAA00353AAB018	Disk, Flat Face, Stainless Steel, Brushed Finish
AAA00353AAB020	Disk, Flat Face, Stainless Steel, Brushed Finish, California Projection
AAA00353AAB006	Disk, Flat Face, Stainless Steel, Mirror Finish
AAA00353AAB008	Disk, Flat Face, Stainless Steel, Mirror Finish, California Projection

Pushbuttons

AAA23500AAF, Series 1

NOTE: Targets are available in different styles and finishes. You must specify when ordering.



Button Assemblies

Part No.	Description	Housing Color
AAD23500AAF005	Button, Car Floor/Hall Down, with Green LED	Clear
AAD23500AAF001	Button, Car Floor/Hall Down, with Red LED	Clear
AAD23500AAF015	Button, Car-Call Cancel, w/o LED	Red
AAD23500AAF022	Button, Emergency Call, w/o LED	Clear
AAD23500AAF017	Button, Emergency Call, w/o LED, 12 V	Yellow
AAD23500AAF021	Button, Emergency Call, w/o LED, 6 V	Yellow
AAD23500AAF013	Button, Front & Rear Open/Close ,w/o LED	White
AAD23500AAF019	Button, Non-Stop, w/o LED	Clear

Button Assembly Components

Part No.	Description
AAA00174AAL012	Cable (w/hall button only), E401M, E311M/E411M Application
AAA00174AAL011	Cable (w/hall button only), E411 Application
176EE15	Connector (for use in COP only), Strain Relief
AAA336AAB1	Housing, Switch
ABA396AAJ1	Housing, w/Bushing, Clear
ABA396AAJ4	Housing, w/Bushing, Red
ABA396AAJ2	Housing, w/Bushing, White
ABA396AAJ3	Housing, w/Bushing, Yellow
ABA26800ABH001	Module, Switch
ABA26800ABG002	PCB, Green LED
ABA26800ABG006	PCB, Green LED
ABA26800ABG001	PCB, Red LED
ABA26800ABG005	PCB, Red LED
ABA26800ABG008	PCB, Red Sunlight LED
ABA26800ABG009	PCB, Red Sunlight LED
ACA26800ABF001	PCB, w/ 12 V Relay, (emergency call button)
ACA26800ABF002	PCB, w/ 6 V Relay, (emergency call button)
ABA26800ABG004	PCB, w/o LED
ABA26800ABG003	PCB, Yellow LED
ABA26800ABG007	PCB, Yellow LED
AAA166AAC3	Retainer, L = 12 mm (for use w/adaptors for rear mounting)
AAA166AAC1	Retainer, L = 21 mm (for use w/o chicklet & w/o rear mounting adaptors)
AAA166AAC2	Retainer, L = 16.5 mm (for use w/chicklet mounting)
AAA172AAA1	Ring, "O"
172DR13	Ring, Retaining
DIN7985A M3X6	Screw, Pan Head, M3 x 6
AAA124EJ1	Screw, Set (Nylon Tipped)
AAA131AAB1	Washer, Curved
DIN125 M3	Washer, Flat, M3

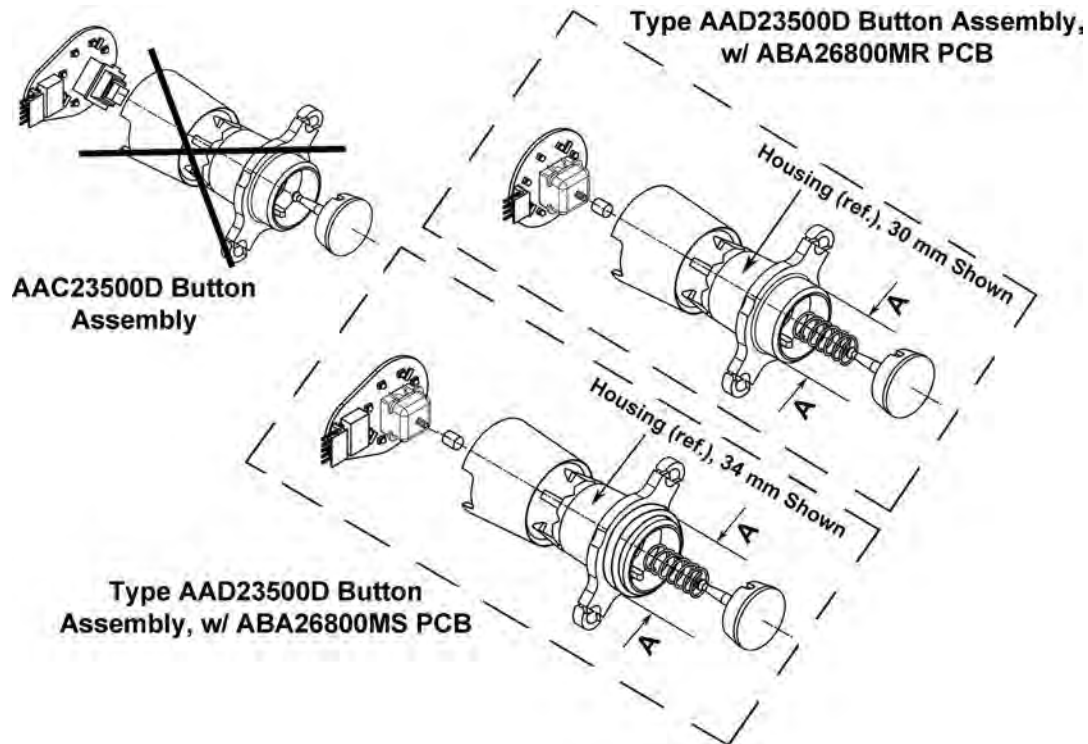
Pushbuttons

AAA23500AAF, Series 1 (continued)

Targets

Part No.	Description	Type
AAA323AAC14	Concave Face, Bronze, Brushed Finish	I
AAA323AAC16	Concave Face, Bronze, Brushed Finish, California Projection	II
AAA323AAC31	Concave Face, Bronze, Epoxy Coated, Brushed Finish	I
AAA323AAC32	Concave Face, Bronze, Epoxy Coated, Brushed Finish, California Projection	II
AAA323AAC25	Concave Face, Bronze, Epoxy Coated, Mirror Finish	I
AAA323AAC26	Concave Face, Bronze, Epoxy Coated, Mirror Finish, California Projection	II
AAA323AAC2	Concave Face, Bronze, Mirror Finish	I
AAA323AAC4	Concave Face, Bronze, Mirror Finish, California Projection	II
AAA323AAC13	Concave Face, Stainless Steel, Brushed Finish	I
AAA323AAC15	Concave Face, Stainless Steel, Brushed Finish, California Projection	II
AAA323AAC1	Concave Face, Stainless Steel, Mirror Finish	I
AAA323AAC3	Concave Face, Stainless Steel, Mirror Finish, California Projection	II
AAA323AAC22	Convex Face, Bronze, Brushed Finish	V
AAA323AAC24	Convex Face, Bronze, Brushed Finish, California Projection	VI
AAA323AAC35	Convex Face, Bronze, Epoxy Coated, Brushed Finish	V
AAA323AAC36	Convex Face, Bronze, Epoxy Coated, Brushed Finish, California Projection	VI
AAA323AAC29	Convex Face, Bronze, Epoxy Coated, Mirror Finish	V
AAA323AAC30	Convex Face, Bronze, Epoxy Coated, Mirror Finish, California Projection	VI
AAA323AAC10	Convex Face, Bronze, Mirror Finish	V
AAA323AAC12	Convex Face, Bronze, Mirror Finish, California Projection	VI
AAA323AAC21	Convex Face, Stainless Steel, Brushed Finish	V
AAA323AAC23	Convex Face, Stainless Steel, Brushed Finish, California Projection	VI
AAA323AAC9	Convex Face, Stainless Steel, Mirror Finish	V
AAA323AAC11	Convex Face, Stainless Steel, Mirror Finish, California Projection	VI
AAA323AAC18	Flat Face, Bronze, Brushed Finish	III
AAA323AAC20	Flat Face, Bronze, Brushed Finish, California Projection	IV
AAA323AAC33	Flat Face, Bronze, Epoxy Coated, Brushed Finish	III
AAA323AAC34	Flat Face, Bronze, Epoxy Coated, Brushed Finish, California Projection	IV
AAA323AAC27	Flat Face, Bronze, Epoxy Coated, Mirror Finish	III
AAA323AAC28	Flat Face, Bronze, Epoxy Coated, Mirror Finish, California Projection	IV
AAA323AAC6	Flat Face, Bronze, Mirror Finish	III
AAA323AAC8	Flat Face, Bronze, Mirror Finish, California Projection	IV
AAA323AAC17	Flat Face, Stainless Steel, Brushed Finish	III
AAA323AAC19	Flat Face, Stainless Steel, Brushed Finish, California Projection	IV
AAA323AAC5	Flat Face, Stainless Steel, Mirror Finish	III
AAA323AAC7	Flat Face, Stainless Steel, Mirror Finish, California Projection	IV

AA*23500D, Series 2



Button Assemblies

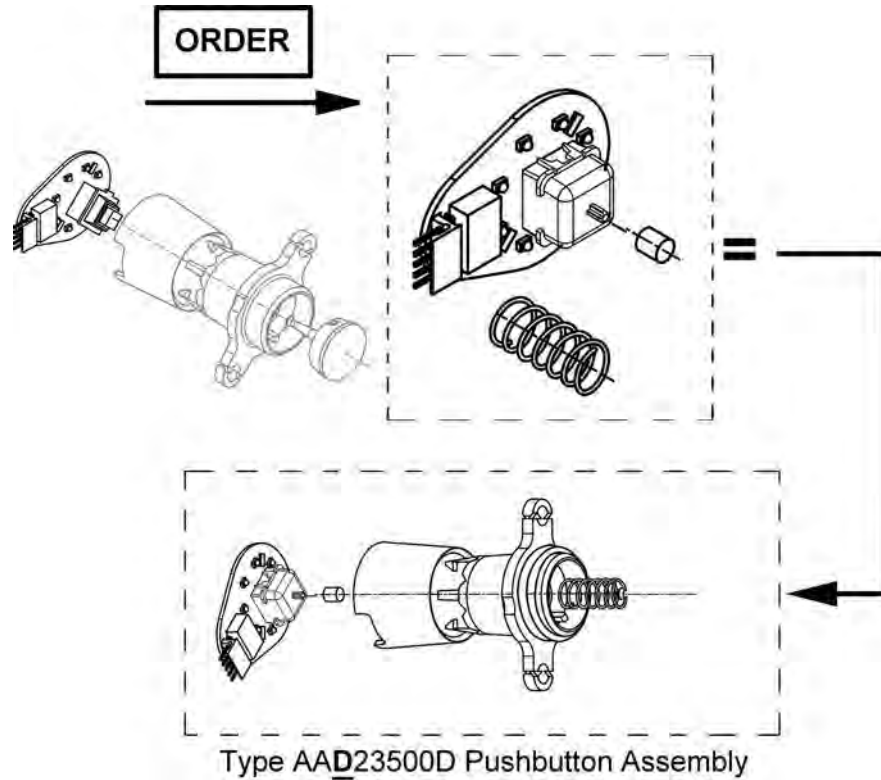
Part No.	Description	Outside Diameter
AAD23500D4	Button Assembly, Non-Illuminating and Clear Housing (for NAA Door Open, Door Close, Call Cancel and Non-NAA Non-Stop buttons)	30 mm
AAD23500D12	Button Assembly, Non-Illuminating and Clear Housing (for NAA Door Open, Door Close, Call Cancel and Non-NAA Non-Stop buttons)	34 mm
AAD23500D7	Button Assembly, Non-Illuminating and Red Housing (for Call Cancel button)	30 mm
AAD23500D15	Button Assembly, Non-Illuminating and Red Housing (for Call Cancel button)	34 mm
AAD23500D6	Button Assembly, Non-Illuminating and White Housing (for Non-NAA Door Open, Door Close buttons)	30 mm
AAD23500D14	Button Assembly, Non-Illuminating and White Housing (for Non-NAA Door Open, Door Close buttons)	34 mm
AAD23500D8	Button Assembly, Non-Illuminating. w/Yellow Housing, 12 V, (for Non-NAA Alarm button)	30 mm
AAD23500D16	Button Assembly, Non-Illuminating. w/Yellow Housing, 12 V, (for Non-NAA Alarm button)	34 mm
AAD23500D3	Button Assembly, w/Amber LED and Clear Housing	30 mm
AAD23500D11	Button Assembly, w/Amber LED and Clear Housing	34 mm
AAD23500D19	Button Assembly, w/Amber LED and Clear Housing (for 3-Wire Systems)	30 mm

Pushbuttons

AA*23500D, Series 2 Button Assemblies (continued)

Part No.	Description	Outside Diameter
AAD23500D2	Button Assembly, w/Green LED and Clear Housing	30 mm
AAD23500D10	Button Assembly, w/Green LED and Clear Housing	34 mm
AAD23500D18	Button Assembly, w/Green LED and Clear Housing (for 3-Wire Systems)	30 mm
AAD23500D1	Button Assembly, w/Red LED and Clear Housing	30 mm
AAD23500D9	Button Assembly, w/Red LED and Clear Housing	34 mm
AAD23500D17	Button Assembly, w/Red LED and Clear Housing (for 3-Wire Systems)	30 mm
AAD23500D5	Button Assembly, w/Red LED and Clear Housing, 12 V (for NAA Alarm button)	30 mm
AAD23500D13	Button Assembly, w/Red LED and Clear Housing, 12 V (for NAA Alarm button)	34 mm
AAD23500D20	Button Assembly, w/Red LED and Clear Housing, 6 V (for 3-Wire Systems)	30 mm

Kits for Upgrading from AAC23500D to AAD23500D



Each kit includes spring, spacer, and new PC board to make the item listed.

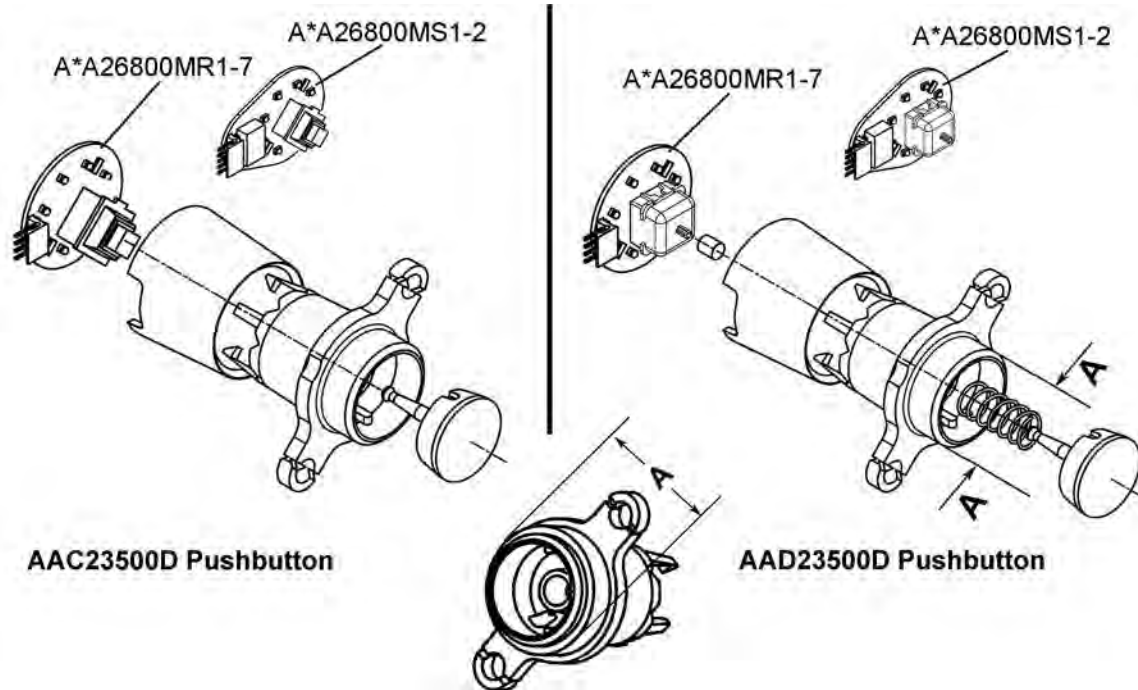
Obsolete AAC23500D Part No.	New AAD23500D Part No.	Use New Part Number to Make the Following:
AAA26800MR1	AAA27076CC1	<ul style="list-style-type: none"> AAD23500D1 (Button Assembly, w/Red LED and Clear Housing, 30 mm outside diameter) AAD23500D9 (Button Assembly, w/Red LED and Clear Housing, 34 mm outside diameter)
AAA26800MR2	AAA27076CC2	<ul style="list-style-type: none"> AAD23500D2 (Button Assembly, w/Green LED and Clear Housing, 30 mm outside diameter) AAD23500D10 (Button Assembly, w/Green LED and Clear Housing, 34 mm outside diameter)
AAA26800MR3	AAA27076CC3	<ul style="list-style-type: none"> AAD23500D3 (Button Assembly, w/Amber LED and Clear Housing, 30 mm outside diameter) AAD23500D11 (Button Assembly, w/Amber LED and Clear Housing, 34 mm outside diameter)

Pushbuttons

Kits for Upgrading from AAC23500D to AAD23500D (continued)

Obsolete AAC23500D Part No.	New AAD23500D Part No.	Use New Part Number to Make the Following:
AAA26800MR4	AAA27076CC4	<ul style="list-style-type: none"> • AAD23500D4 (Button Assembly, Non-Illuminating and Clear Housing [for NAA Door Open, Door Close, Call Cancel and Non-NAA Non-Stop buttons], 30 mm outside diameter) • AAD23500D6 (Button Assembly, Non-Illuminating and White Housing [for Non-NAA Door Open, Door Close buttons], 30 mm outside diameter) • AAD23500D7 (Button Assembly, Non-Illuminating and Red Housing [for Call Cancel button], 30 mm outside diameter) • AAD23500D12 (Button Assembly, Non-Illuminating and Clear Housing [for NAA Door Open, Door Close, Call Cancel and Non-NAA Non-Stop buttons], 34 mm outside diameter) • AAD23500D14 (Button Assembly, Non-Illuminating and White Housing [for Non-NAA Door Open, Door Close buttons], 34 mm outside diameter) • AAD23500D15 (Button Assembly, Non-Illuminating and Red Housing [for Call Cancel button], 34 mm outside diameter)
AAA26800MR5	AAA27076CC5	<ul style="list-style-type: none"> • AAD23500D17 (Button Assembly, w/Red LED and Clear Housing [for 3-Wire Systems], 30 mm outside diameter)
AAA26800MR6	AAA27076CC6	<ul style="list-style-type: none"> • AAD23500D18 (Button Assembly, w/Green LED and Clear Housing [for 3-Wire Systems], 30 mm outside diameter)
AAA26800MR7	AAA27076CC7	<ul style="list-style-type: none"> • AAD23500D19 (Button Assembly, w/Amber LED and Clear Housing [for 3-Wire Systems], 30 mm outside diameter)
AAA26800MS1	AAA27076CD1	<ul style="list-style-type: none"> • AAD23500D5 (Button Assembly, w/Red LED and Clear Housing, 12 V [for NAA Alarm button], 30 mm outside diameter) • AAD23500D8 (Button Assembly, Non-Illuminating, w/Yellow Housing, 12 V, [for Non-NAA Alarm button], 30 mm outside diameter) • AAD23500D13 (Button Assembly, w/Red LED and Clear Housing, 12 V [for NAA Alarm button], 34 mm outside diameter) • AAD23500D16 (Button Assembly, Non-Illuminating, w/Yellow Housing, 12 V, [for Non-NAA Alarm button], 34 mm outside diameter)
AAA26800MS2	AAA27076CD2	<ul style="list-style-type: none"> • AAD23500D20 (Button Assembly, w/Red LED and Clear Housing, 6 V [for 3-Wire Systems], 30 mm outside diameter)

Micro-Motion II Pushbuttons: PC Boards

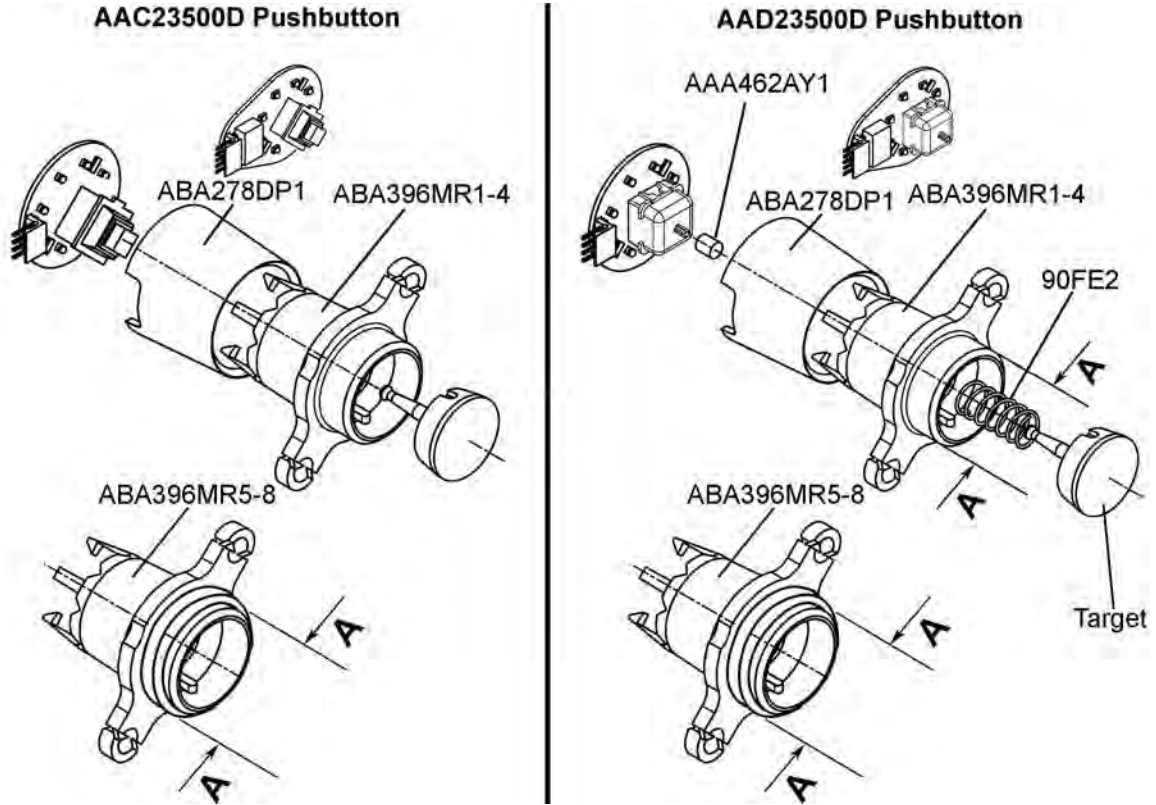


Obsolete AAC2350D Part No.	New AAD2350D Part No.	Description
AAA26800MS1	ABA26800MS1	PC Board, Alarm, 12 V
AAA26800MR3	ABA26800MR3	PC Board, with Amber LED
AAA26800MR2	ABA26800MR2	PC Board, with Green LED
AAA26800MR1	ABA26800MR1	PC Board, with Red LED
AAA26800MR4	ABA26800MR4	PC Board, without LED
AAA26800MS2	ABA26800MS2	PC Board, Alarm, 6 V. Used with 3-wire systems.
AAA26800MR7	ABA26800MR7	PC Board, with Amber LED. Used with 3-wire systems (R1, R2, Q1).
AAA26800MR6	ABA26800MR6	PC Board, with Green LED. Used with 3-wire systems (R1, R2, Q1).
AAA26800MR5	ABA26800MR5	PC Board, with Red LED. Used with 3-wire systems (R1, R2, Q1).

NOTE: Strikethrough parts listed in AAC2350D vintage must be upgraded to AAD2350D vintage pushbutton assembly.

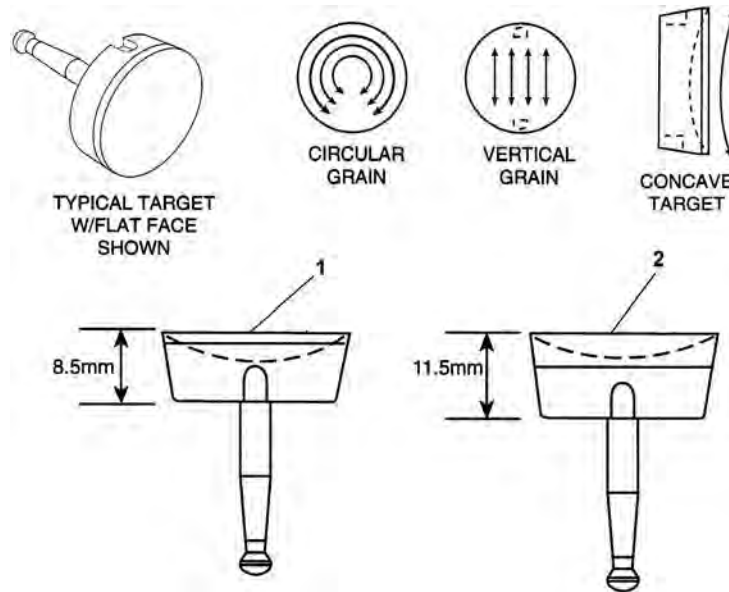
Pushbuttons

Micro-Motion II Pushbuttons: Housing, Spacer, and Spring



Part No.		Description	Outside Diameter	
AAC23500D	AAD23500D			
		ABA396MR1	Housing, Clear	30 mm
		ABA396MR5	Housing, Clear	34 mm
		ABA396MR4	Housing, Red	30 mm
		ABA396MR8	Housing, Red	34 mm
		ABA396MR2	Housing, White	30 mm
		ABA396MR6	Housing, White	34 mm
		ABA396MR3	Housing, Yellow	30 mm
		ABA396MR7	Housing, Yellow	34 mm
		ABA278DP1	Shield, Light	
***		AAA462AY1	Spacer	
***		90FE2	Spring	
***	***	***	Target, Type ABA323DH	

Targets

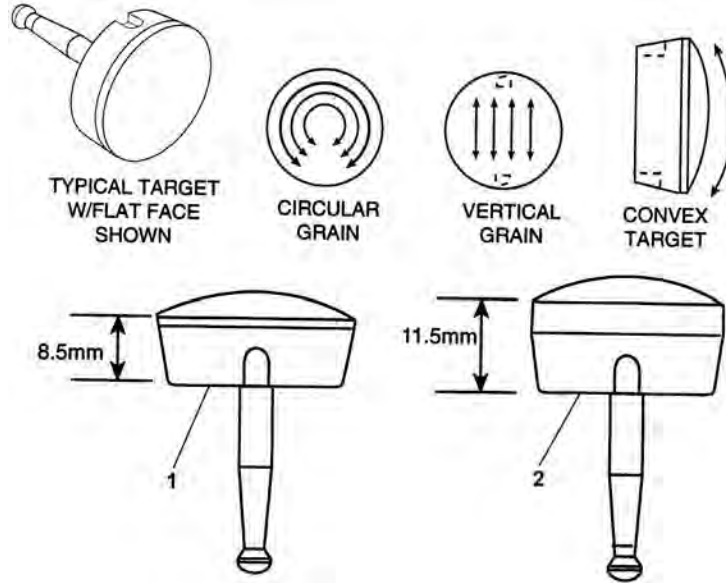


Without Engraving

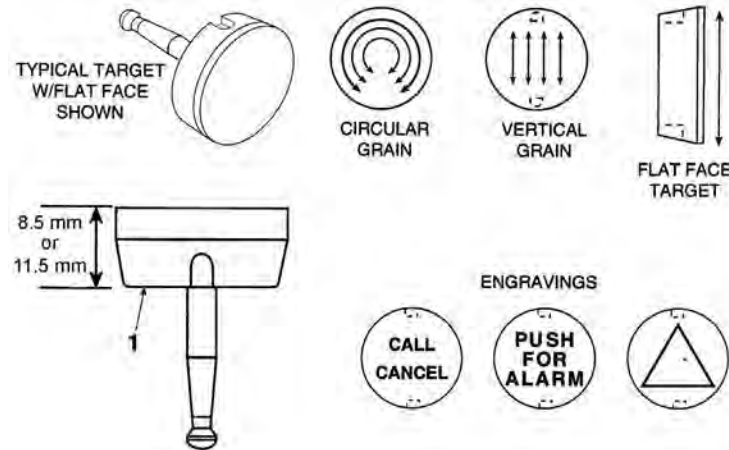
Part No.	Target Shape	Material	Finish	Finish Grain	Button Height
ABA323DH73	Concave	Epoxy Coated	Brushed	Circular	8.5 mm
ABA323DH75	Concave	Epoxy Coated	Brushed	Circular	11.5 mm
ABA323DH1	Concave	Naval Bronze	Brushed	Circular	8.5 mm
ABA323DH7	Concave	Naval Bronze	Brushed	Circular	11.5 mm
ABA323DH2	Concave	Naval Bronze	Brushed	Vertical	8.5 mm
ABA323DH8	Concave	Naval Bronze	Brushed	Vertical	11.5 mm
ABA323DH3	Concave	Naval Bronze	Mirror	***	8.5 mm
ABA323DH76	Concave	Naval Bronze	Mirror	***	11.5 mm
ABA323DH9	Concave	Naval Bronze	Mirror	***	11.5 mm
ABA323DH74	Concave	Naval Bronze	Mirror	Vertical	8.5 mm
ABA323DH4	Concave	Stainless Steel	Brushed	Circular	8.5 mm
ABA323DH10	Concave	Stainless Steel	Brushed	Circular	11.5 mm
ABA323DH5	Concave	Stainless Steel	Brushed	Vertical	8.5 mm
ABA323DH11	Concave	Stainless Steel	Brushed	Vertical	11.5 mm
ABA323DH6	Concave	Stainless Steel	Mirror	***	8.5 mm
ABA323DH12	Concave	Stainless Steel	Mirror	***	11.5 mm

Pushbuttons

Targets (continued)



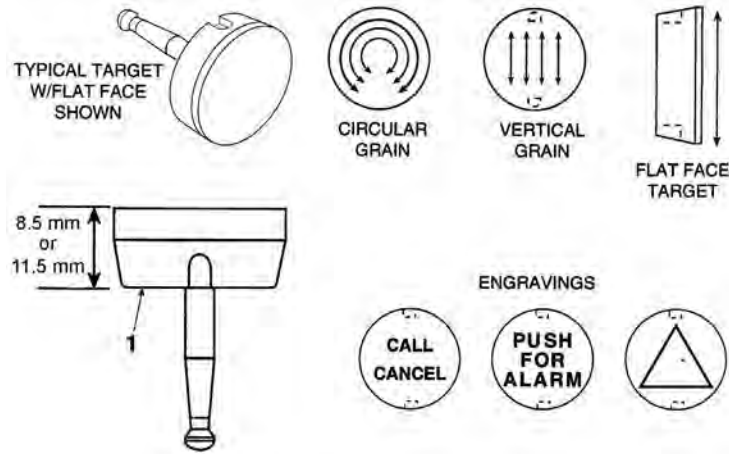
Part No.	Target Shape	Material	Finish	Finish Grain	Button Height
ABA323DH83	Convex	Epoxy Coated	Brushed	Circular	8.5 mm
ABA323DH85	Convex	Epoxy Coated	Brushed	Circular	11.5 mm
ABA323DH25	Convex	Naval Bronze	Brushed	Circular	8.5 mm
ABA323DH31	Convex	Naval Bronze	Brushed	Circular	11.5 mm
ABA323DH26	Convex	Naval Bronze	Brushed	Vertical	8.5 mm
ABA323DH32	Convex	Naval Bronze	Brushed	Vertical	11.5 mm
ABA323DH84	Convex	Naval Bronze	Mirror	***	8.5 mm
ABA323DH27	Convex	Naval Bronze	Mirror	***	8.5 mm
ABA323DH86	Convex	Naval Bronze	Mirror	***	11.5 mm
ABA323DH33	Convex	Naval Bronze	Mirror	***	11.5 mm
ABA323DH28	Convex	Stainless Steel	Brushed	Circular	8.5 mm
ABA323DH34	Convex	Stainless Steel	Brushed	Circular	11.5 mm
ABA323DH29	Convex	Stainless Steel	Brushed	Vertical	8.5 mm
ABA323DH35	Convex	Stainless Steel	Brushed	Vertical	11.5 mm
ABA323DH30	Convex	Stainless Steel	Mirror	***	8.5 mm
ABA323DH36	Convex	Stainless Steel	Mirror	***	11.5 mm



Part No.	Target Shape	Material	Finish	Finish Grain	Button Height
ABA323DH77	Flat	Epoxy Coated Naval Bronze	Brushed	Circular	8.5 mm
ABA323DH78	Flat	Epoxy Coated Naval Bronze	Brushed	Vertical	8.5 mm
ABA323DH80	Flat	Epoxy Coated Naval Bronze	Brushed	Circular	11.5 mm
ABA323DH81	Flat	Epoxy Coated Naval Bronze	Brushed	Vertical	11.5 mm
ABA323DH79	Flat	Epoxy Coated Naval Bronze	Mirror	***	8.5 mm
ABA323DH82	Flat	Epoxy Coated Naval Bronze	Mirror	***	11.5 mm
ABA323DH13	Flat	Naval Bronze	Brushed	Circular	8.5 mm
ABA323DH14	Flat	Naval Bronze	Brushed	Vertical	8.5 mm
ABA323DH19	Flat	Naval Bronze	Brushed	Circular	11.5 mm
ABA323DH20	Flat	Naval Bronze	Brushed	Vertical	11.5 mm
ABA323DH15	Flat	Naval Bronze	Mirror	***	8.5 mm
ABA323DH21	Flat	Naval Bronze	Mirror	***	11.5 mm
ABA323DH16	Flat	Stainless Steel	Brushed	Circular	8.5 mm
ABA323DH17	Flat	Stainless Steel	Brushed	Vertical	8.5 mm
ABA323DH22	Flat	Stainless Steel	Brushed	Circular	11.5 mm
ABA323DH23	Flat	Stainless Steel	Brushed	Vertical	11.5 mm
ABA323DH18	Flat	Stainless Steel	Mirror	***	8.5 mm
ABA323DH24	Flat	Stainless Steel	Mirror	***	11.5 mm

Pushbuttons

Targets (continued)



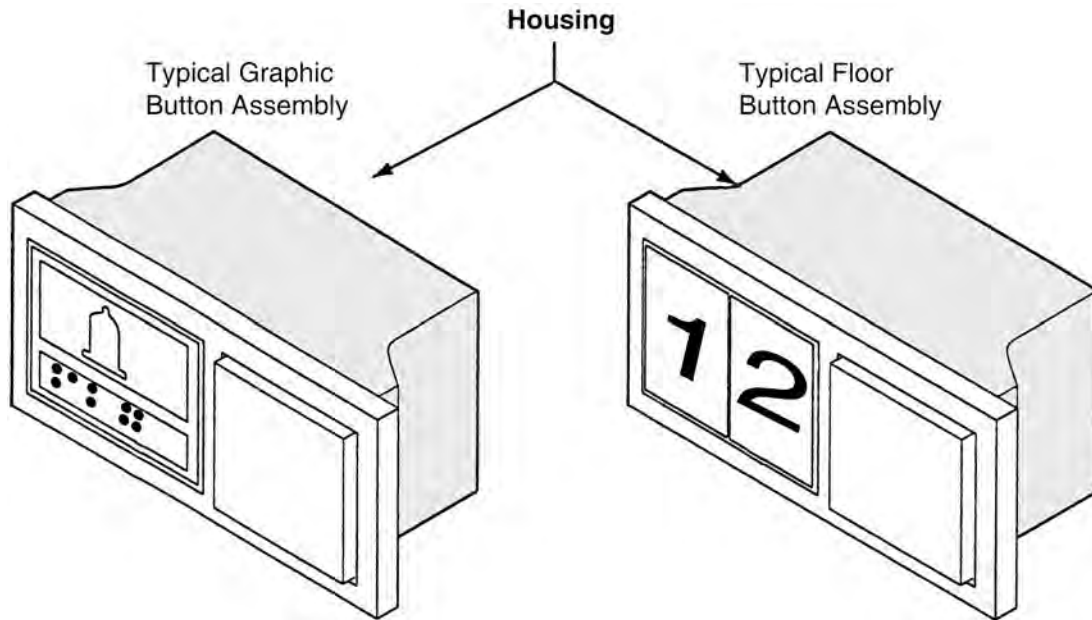
With Engraving (Flat)

Part No.	Engraving	Material	Finish	Finish Grain	Button Height
ABA323DH99	ARROW	Epoxy Coated Naval Bronze	Brushed	Circular	8.5 mm
ABA323DH100	ARROW	Epoxy Coated Naval Bronze	Brushed	Vertical	8.5 mm
ABA323DH101	ARROW	Epoxy Coated Naval Bronze	Mirror	***	8.5 mm
ABA323DH102	ARROW	Epoxy Coated Naval Bronze	Brushed	Circular	11.5 mm
ABA323DH103	ARROW	Epoxy Coated Naval Bronze	Brushed	Vertical	11.5 mm
ABA323DH104	ARROW	Epoxy Coated Naval Bronze	Mirror	***	11.5 mm
ABA323DH61	ARROW	Naval Bronze	Brushed	Circular	8.5 mm
ABA323DH62	ARROW	Naval Bronze	Brushed	Vertical	8.5 mm
ABA323DH63	ARROW	Naval Bronze	Mirror	***	8.5 mm
ABA323DH67	ARROW	Naval Bronze	Brushed	Circular	11.5 mm
ABA323DH68	ARROW	Naval Bronze	Brushed	Vertical	11.5 mm
ABA323DH69	ARROW	Naval Bronze	Mirror	***	11.5 mm
ABA323DH64	ARROW	Stainless Steel	Brushed	Circular	8.5 mm
ABA323DH65	ARROW	Stainless Steel	Brushed	Vertical	8.5 mm
ABA323DH66	ARROW	Stainless Steel	Mirror	***	8.5 mm
ABA323DH70	ARROW	Stainless Steel	Brushed	Circular	11.5 mm
ABA323DH71	ARROW	Stainless Steel	Brushed	Vertical	11.5 mm
ABA323DH72	ARROW	Stainless Steel	Mirror	***	11.5 mm
ABA323DH87	CALL CANCEL	Epoxy Coated Naval Bronze	Brushed	Circular	8.5 mm
ABA323DH88	CALL CANCEL	Epoxy Coated Naval Bronze	Brushed	Vertical	8.5 mm
ABA323DH89	CALL CANCEL	Epoxy Coated Naval Bronze	Mirror	***	8.5 mm
ABA323DH90	CALL CANCEL	Epoxy Coated Naval Bronze	Brushed	Circular	11.5 mm
ABA323DH91	CALL CANCEL	Epoxy Coated Naval Bronze	Brushed	Vertical	11.5 mm
ABA323DH92	CALL CANCEL	Epoxy Coated Naval Bronze	Mirror	***	11.5 mm
ABA323DH37	CALL CANCEL	Naval Bronze	Brushed	Circular	8.5 mm
ABA323DH38	CALL CANCEL	Naval Bronze	Brushed	Vertical	8.5 mm
ABA323DH39	CALL CANCEL	Naval Bronze	Mirror	***	8.5 mm

Part No.	Engraving	Material	Finish	Finish Grain	Button Height
ABA323DH43	CALL CANCEL	Naval Bronze	Brushed	Circular	11.5 mm
ABA323DH44	CALL CANCEL	Naval Bronze	Brushed	Vertical	11.5 mm
ABA323DH45	CALL CANCEL	Naval Bronze	Mirror	***	11.5 mm
ABA323DH40	CALL CANCEL	Stainless Steel	Brushed	Circular	8.5 mm
ABA323DH41	CALL CANCEL	Stainless Steel	Brushed	Vertical	8.5 mm
ABA323DH42	CALL CANCEL	Stainless Steel	Mirror	***	8.5 mm
ABA323DH46	CALL CANCEL	Stainless Steel	Brushed	Circular	11.5 mm
ABA323DH47	CALL CANCEL	Stainless Steel	Brushed	Vertical	11.5 mm
ABA323DH48	CALL CANCEL	Stainless Steel	Mirror	***	11.5 mm
ABA323DH105	NON-STOP	Epoxy Coated Naval Bronze	Brushed	Circular	8.5 mm
ABA323DH106	NON-STOP	Epoxy Coated Naval Bronze	Brushed	Vertical	8.5 mm
ABA323DH107	NON-STOP	Epoxy Coated Naval Bronze	Mirror	***	8.5 mm
ABA323DH111	NON-STOP	Epoxy Coated Naval Bronze	Brushed	Circular	11.5 mm
ABA323DH112	NON-STOP	Epoxy Coated Naval Bronze	Brushed	Vertical	11.5 mm
ABA323DH113	NON-STOP	Epoxy Coated Naval Bronze	Mirror	***	11.5 mm
ABA323DH108	NON-STOP	Stainless Steel	Brushed	Circular	8.5 mm
ABA323DH109	NON-STOP	Stainless Steel	Brushed	Vertical	8.5 mm
ABA323DH110	NON-STOP	Stainless Steel	Mirror	***	8.5 mm
ABA323DH114	NON-STOP	Stainless Steel	Brushed	Circular	11.5 mm
ABA323DH115	NON-STOP	Stainless Steel	Brushed	Vertical	11.5 mm
ABA323DH116	NON-STOP	Stainless Steel	Mirror	***	11.5 mm
ABA323DH93	PUSH FOR ALARM	Epoxy Coated Naval Bronze	Brushed	Circular	8.5 mm
ABA323DH94	PUSH FOR ALARM	Epoxy Coated Naval Bronze	Brushed	Vertical	8.5 mm
ABA323DH95	PUSH FOR ALARM	Epoxy Coated Naval Bronze	Mirror	***	8.5 mm
ABA323DH96	PUSH FOR ALARM	Epoxy Coated Naval Bronze	Brushed	Circular	11.5 mm
ABA323DH97	PUSH FOR ALARM	Epoxy Coated Naval Bronze	Brushed	Vertical	11.5 mm
ABA323DH98	PUSH FOR ALARM	Epoxy Coated Naval Bronze	Mirror	***	11.5 mm
ABA323DH49	PUSH FOR ALARM	Naval Bronze	Brushed	Circular	8.5 mm
ABA323DH50	PUSH FOR ALARM	Naval Bronze	Brushed	Vertical	8.5 mm
ABA323DH51	PUSH FOR ALARM	Naval Bronze	Mirror	***	8.5 mm
ABA323DH55	PUSH FOR ALARM	Naval Bronze	Brushed	Circular	11.5 mm
ABA323DH56	PUSH FOR ALARM	Naval Bronze	Brushed	Vertical	11.5 mm
ABA323DH57	PUSH FOR ALARM	Naval Bronze	Mirror	***	11.5 mm
ABA323DH52	PUSH FOR ALARM	Stainless Steel	Brushed	Circular	8.5 mm
ABA323DH53	PUSH FOR ALARM	Stainless Steel	Brushed	Vertical	8.5 mm
ABA323DH54	PUSH FOR ALARM	Stainless Steel	Mirror	***	8.5 mm
ABA323DH58	PUSH FOR ALARM	Stainless Steel	Brushed	Circular	11.5 mm
ABA323DH59	PUSH FOR ALARM	Stainless Steel	Brushed	Vertical	11.5 mm
ABA323DH60	PUSH FOR ALARM	Stainless Steel	Mirror	***	11.5 mm

Pushbuttons

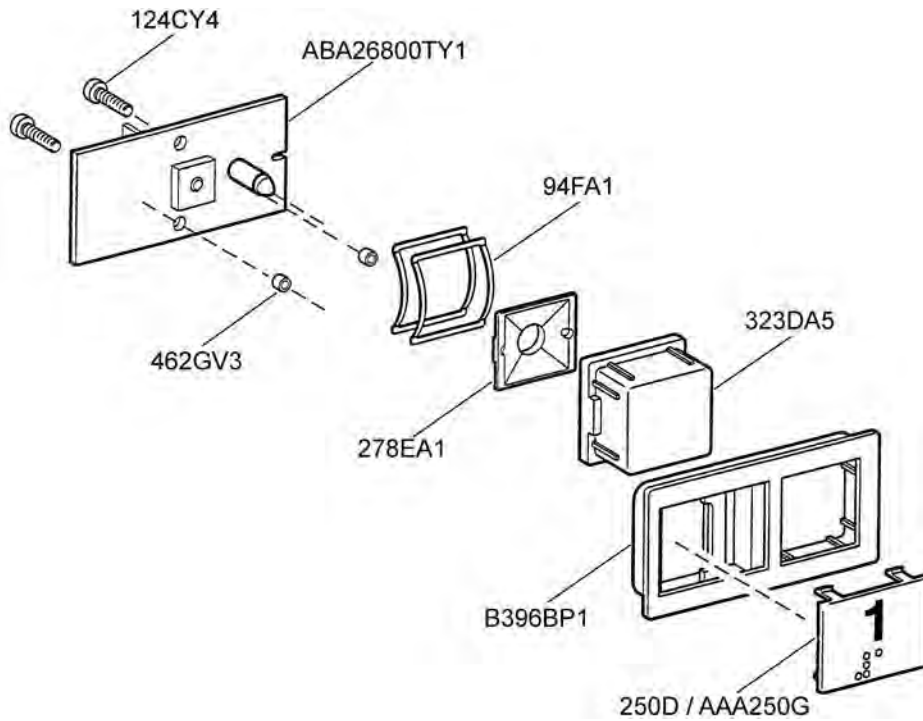
AAA7069AAS



Button Module Assemblies without Insert

Part No.	Type	Description	Housing Thickness
AAA7069AAS5	I	Door Close with Housing Module	15.5 mm
AAA7069AAS7	I	Door Close with Housing Module	17.5 mm
AAA7069AAS3	I	Door Close without Housing Module	N/A
AAA7069AAS4	I	Door Open with Housing Module	15.5 mm
AAA7069AAS6	I	Door Open with Housing Module	17.5 mm
AAA7069AAS2	I	Door Open without Housing Module	N/A
AAA7069AAS17	I	Floor Button without Housing (for 2-Row COP)	N/A
AAA7069AAS1	I	Floor Button without Housing Module (for 3-Row COP)	N/A
AAA7069AAS12	II	Call Cancel	15.5 mm
AAA7069AAS18	II	COP Phone (Call for Help)	N/A
AAA7069AAS13	II	Illuminate Alarm, 12 V (for Province of Quebec)	15.5 mm
AAA7069AAS19	II	Illuminated Alarm without Housing, 6 V	N/A
AAA7069AAS15	II	Illuminated Alarm, 12 V (for NSAA & English Canada)	15.5 mm
AAA7069AAS16	II	Illuminated Alarm, 12 V (for NSAA & English Canada)	17.5 mm
AAA7069AAS14	II	Illuminated Alarm, 12 V (for Province of Quebec)	17.5 mm
AAA7069AAS10	II	Illuminated Alarm, 6 V (for NSAA and English Canada)	15.5 mm
AAA7069AAS11	II	Illuminated Alarm, 6 V (for NSAA and English Canada)	17.5 mm
AAA7069AAS8	II	Illuminated Alarm, 6 V (for Province of Quebec)	15.5 mm
AAA7069AAS9	II	Illuminated Alarm, 6 V (for Province of Quebec)	17.5 mm

Type I Button Module Assembly

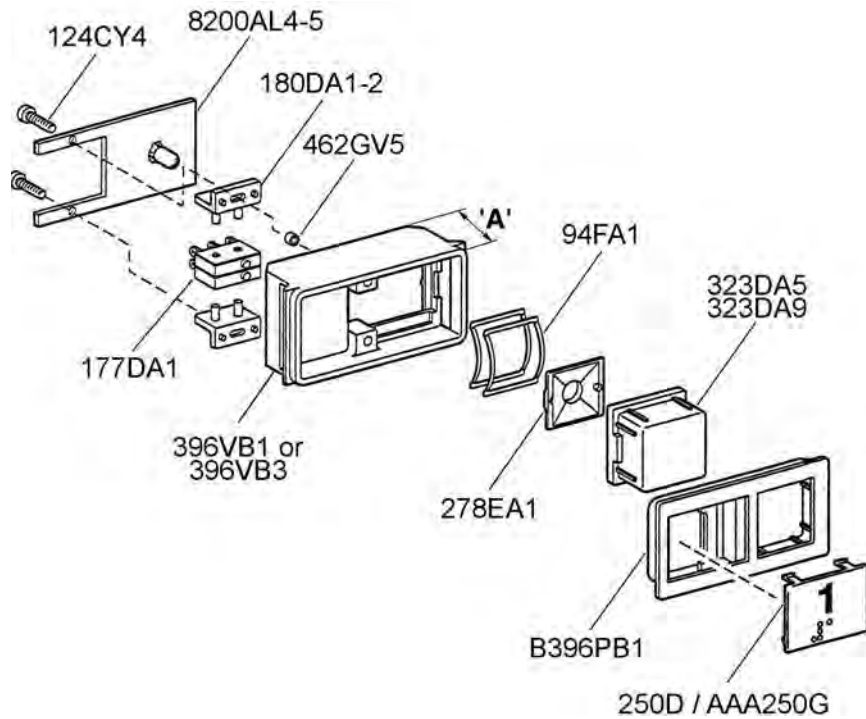


Part Number	Description
B396PB1	Chicklet
250D / AAA250G	Graphic Insert*
ABA26800TY1	PC Board
278EA1	Reflector
124CY4	Screw
462GV3	Spacer
94FA1	Spring
323DA5	White Target

*Specify Marking

Pushbuttons

Type II Button Module Assembly



Part Number	Description
B396PB1	Chicklet
250D / AAA250G	Graphic Insert*
396VB3	Housing, 15.5 mm Thick
396VB1	Housing, 17.5 mm Thick
177DA1	Microswitch
8200AL4	PC Board for 12 V Button
8200AL5	PC Board for 8 V Button
278EA1	Reflector
124CY4	Screw
462GV5	Spacer
94FA1	Spring
180DA1	Switch Holder (Double)
180DA2	Switch Holder (Single)
323DA5	White Target, Raised
323DA9	White Target, Raised, Marked Push for Alarm