

# Selectors & Top-of-Car Readers



# Notes About This Catalog Section

## Terminology, Sizing Standards, and Use

- This catalog features the two most common Otis selectors, the B6850BJ and 6104AY. Many Otis selectors can use interchangeable parts. For example, the B6850BJ, 6850BV, 6850CK, and 6850DK all use the same leveling ring. However, it is very important to choose the correct parts for your application.

Please call OSC for assistance and have the Otis sales number from the controller data tag or the data tag on the crosshead.

- The primary measurements shown for parts are based upon their design drawings.
- Most measurements are provided in both Imperial units (for the United States) and metric units (for Canada, Mexico, etc.). If only one form of a measurement is provided, assume Imperial units (generally inches) unless otherwise stated.
- Most Imperial measurements are rounded to the nearest tenth or hundredth of an inch and most metric measurements are rounded to the nearest millimeter.
- The term “vintage” refers to the period of time in which the original equipment was manufactured and the design version used on the installation. If installation records are not available, the vintage of a component may be determined from a vintage tag affixed to the component. Shown below are two types of vintage tags used on Otis equipment over the years.

14	R-AAA24179A
----	-------------

14	6161R	
Y	VINTAGE	Y 01
REV	EN	

# Selectors & Top-of-Car Readers

## Table of Contents

<b>Notes About This Catalog Section .....</b>	<b>1</b>
<b>Selectors (Machine Room) .....</b>	<b>3</b>
Otis 6104AY Selectors .....	3
Otis B6850BJ Selectors .....	10
<b>Tape Systems (stationary and toothed).....</b>	<b>23</b>
Tape.....	23
Pulleys and Sprockets .....	24
Miscellaneous Tape & Reader Related Parts .....	25
<b>Top-of-Car Readers.....</b>	<b>26</b>
ESCO Products .....	26
Reader Boxes for A5, A6L, A7, A8M, A8MD, and LZS Applications.....	26
Otis Products .....	27
7003AM Reader Box for Early LRV Applications	
A7003AT Reader Box for 6193LE Applications	
A7003AV Reader Box for Cantilevered Holeless Applications	
A7003AW Reader Box for LRS Applications	
7003BB and 7003BC Reader Box for LRV4 Applications	
AAA25500AAA Reader Box for LRV-4 Applications .....	27
A7137F Reader Box for MRV and MRVF Applications .....	29
7575AX Reader Box for MRVF Applications	
7575AY Reader Box for MRS Applications	
7575Y Reader Box for MRVF Applications.....	30
A*A7630AA Vane Reader for HVS and Gen2® Applications .....	31
7630H Vane Reader for MRQ, E311-VF Applications .....	32
A*A7630Z Vane Reader for HVS and Gen2® Applications.....	33
AAA22439AAA Tape Reader for Various Applications.....	34
AAA22439AAF Reader Box for 211, 211M, and 335M Applications .....	35
AAA25550D Reader Box for 311M-MS and 411M-MS Applications.....	36
Miscellaneous Top-of-Car Equipment.....	37
<b>Floating Tape Car Position Device .....</b>	<b>38</b>

# Selectors (Machine Room) Otis 6104AY Selectors

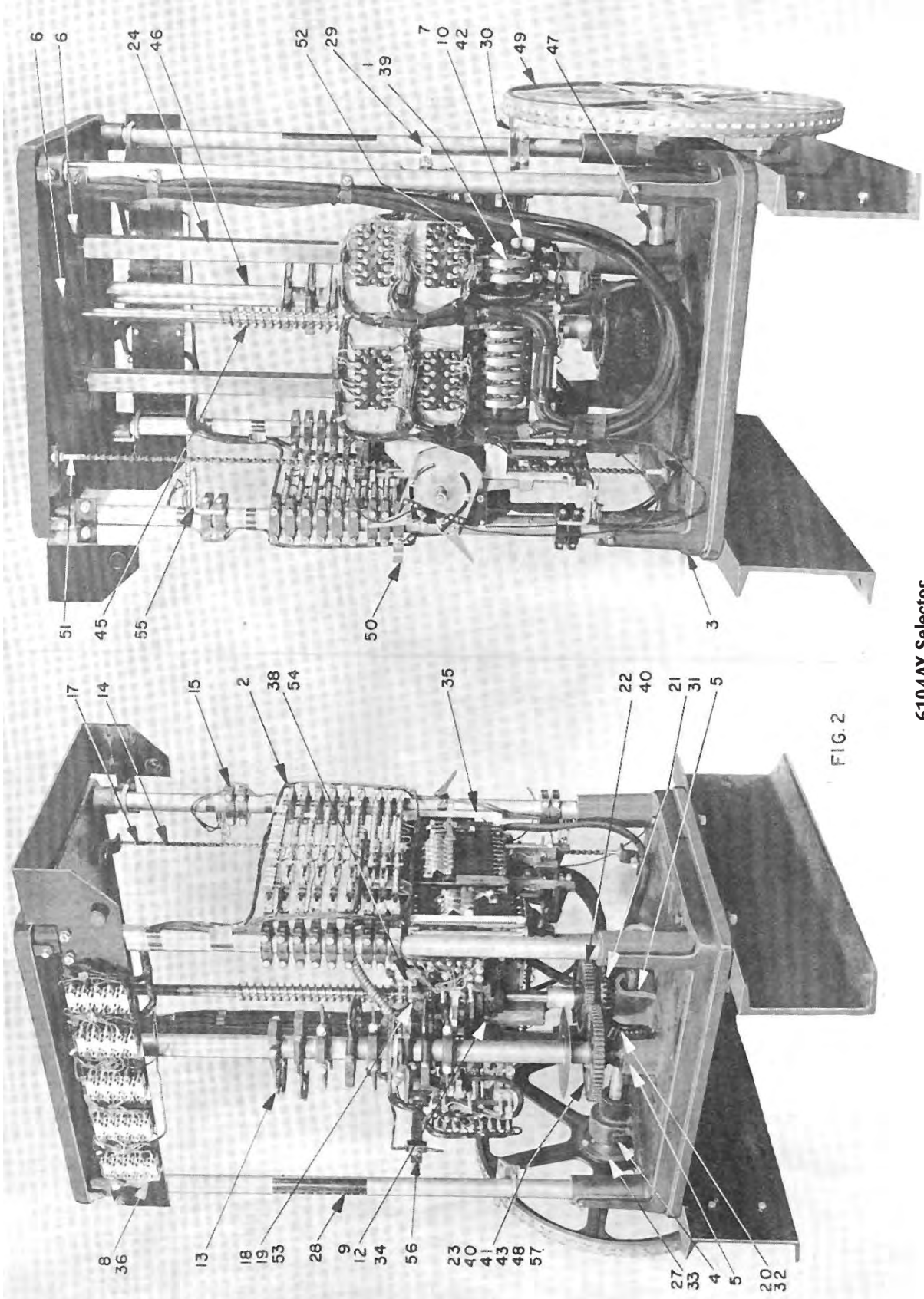


FIG. 2

6104AY Selector

(Numbers are for reference when speaking to a OSC rep only; they do not correspond to listings in this catalog)

# Selectors & Top-of-Car Readers

## Selectors & Top-of-Car Readers

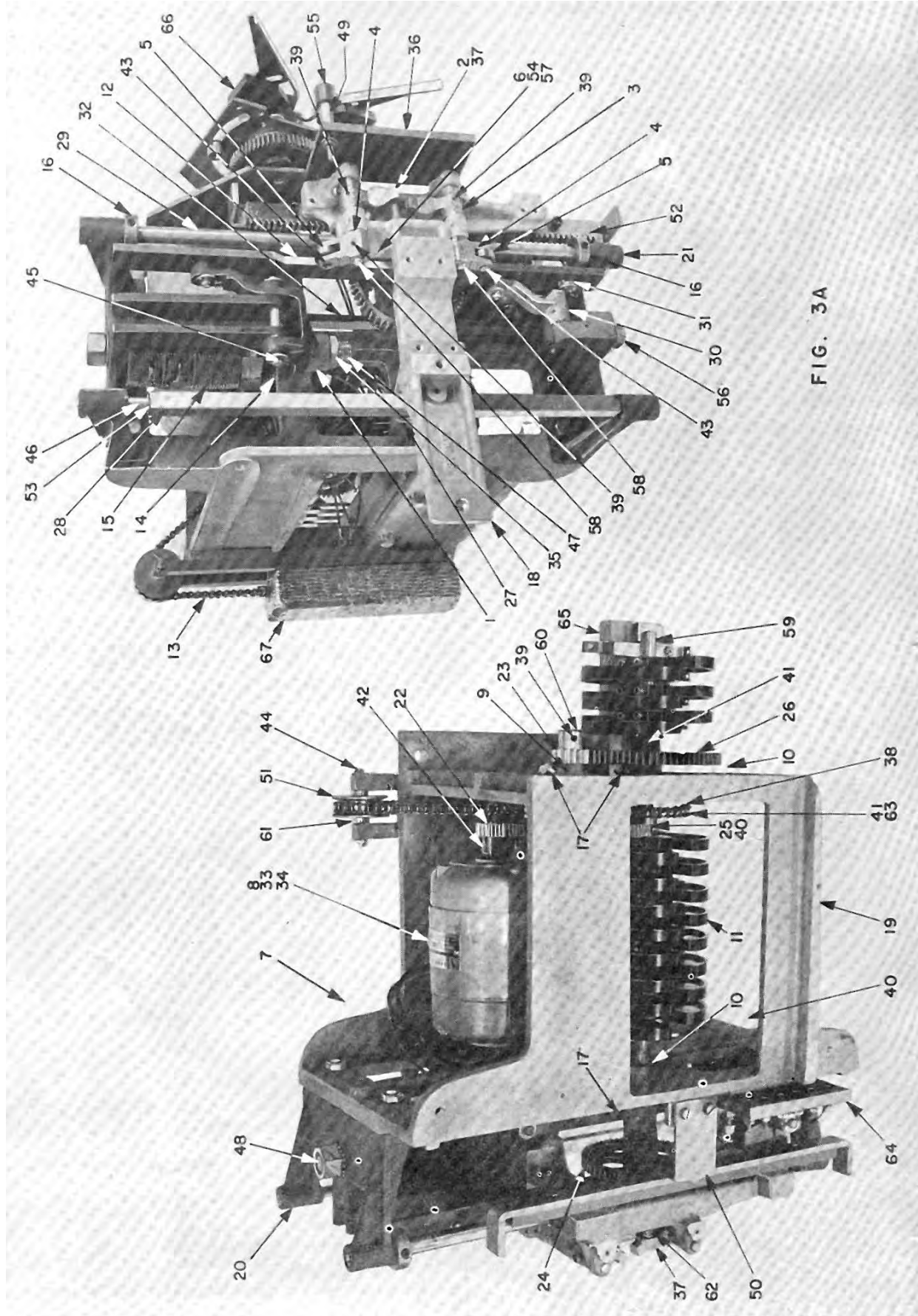
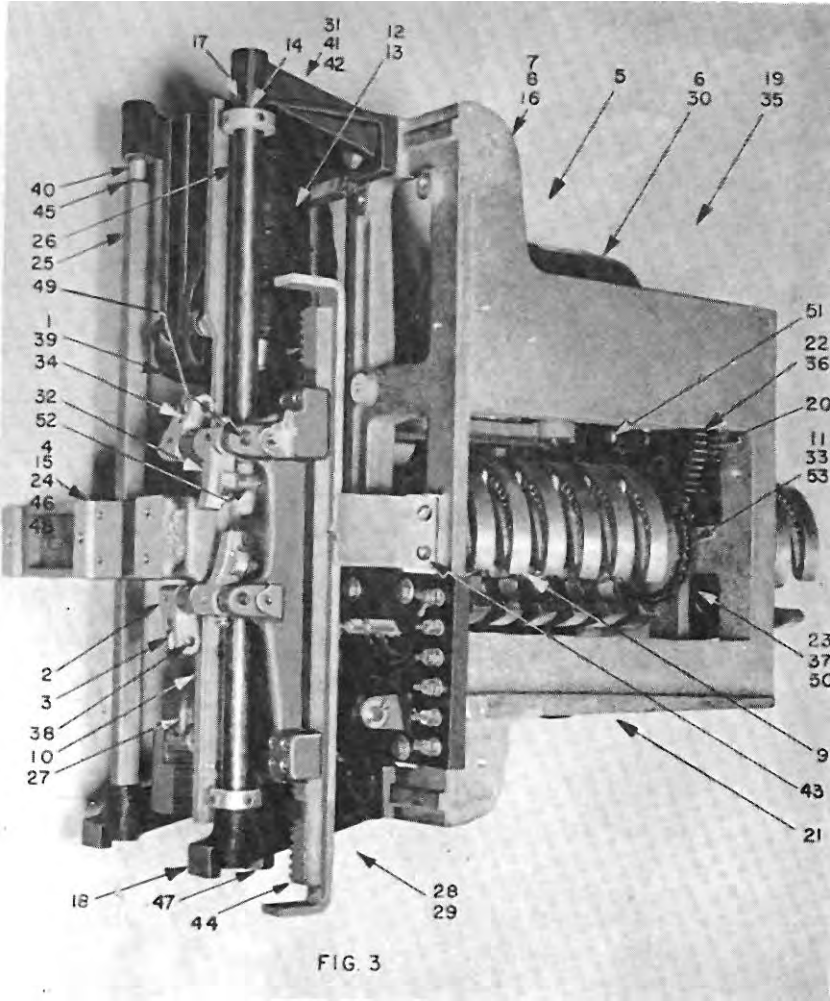


FIG. 3A

Brush Advancer for 6104AY Selectors

(Numbers are for reference when speaking to a OSC rep only; they do not correspond to listings in this catalog)

Otis 6104AY Selectors (continued)

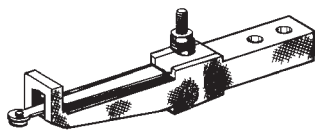


**Early Brush Advancer for 6104AY Selectors**  
 (Numbers are for reference when speaking to an OSC rep only; they do not correspond to listings in this catalog)

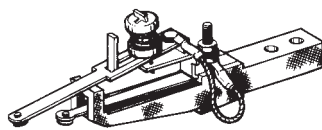
# Selectors & Top-of-Car Readers

## Otis 6104AY Selector Spare Parts

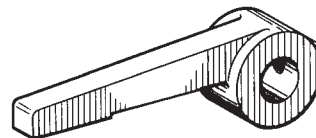
Part Number	Description
6825B1	Arm, Contact With single contact.
6825B3	Arm, Contact With double contact.
288JT1	Arm, Operating, Cast Iron with 0.5 in. (12,7 mm) Bore
288KX2	Arm, Roller With bearing, pin, and washers.
287BC4	Arm, Switch With bushing, 3/8-in. (9,5 mm) hole.
306GD1	Base, Floor Bar, 5/8-in. (15,9 mm) long For bar A299NJ2.
A6839F2	Brush, Contact Consists of bracket, carbon contact, flat spring, and lock-washer.
A6839F4	Brush, Contact Consists of bracket, silver alloy contact, holder, and flat spring.
181917	Cam, Long With cap and screws. Ten or twelve required per selector.



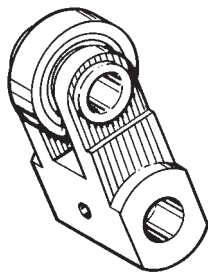
6825B1



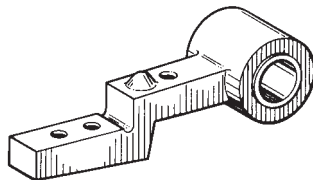
6825B3



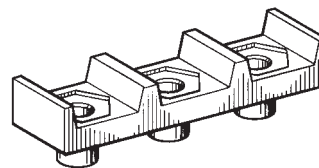
288JT1



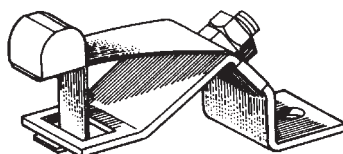
288KX2



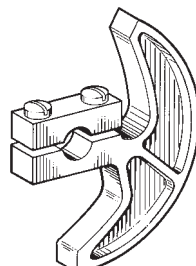
287BC4



306GD1



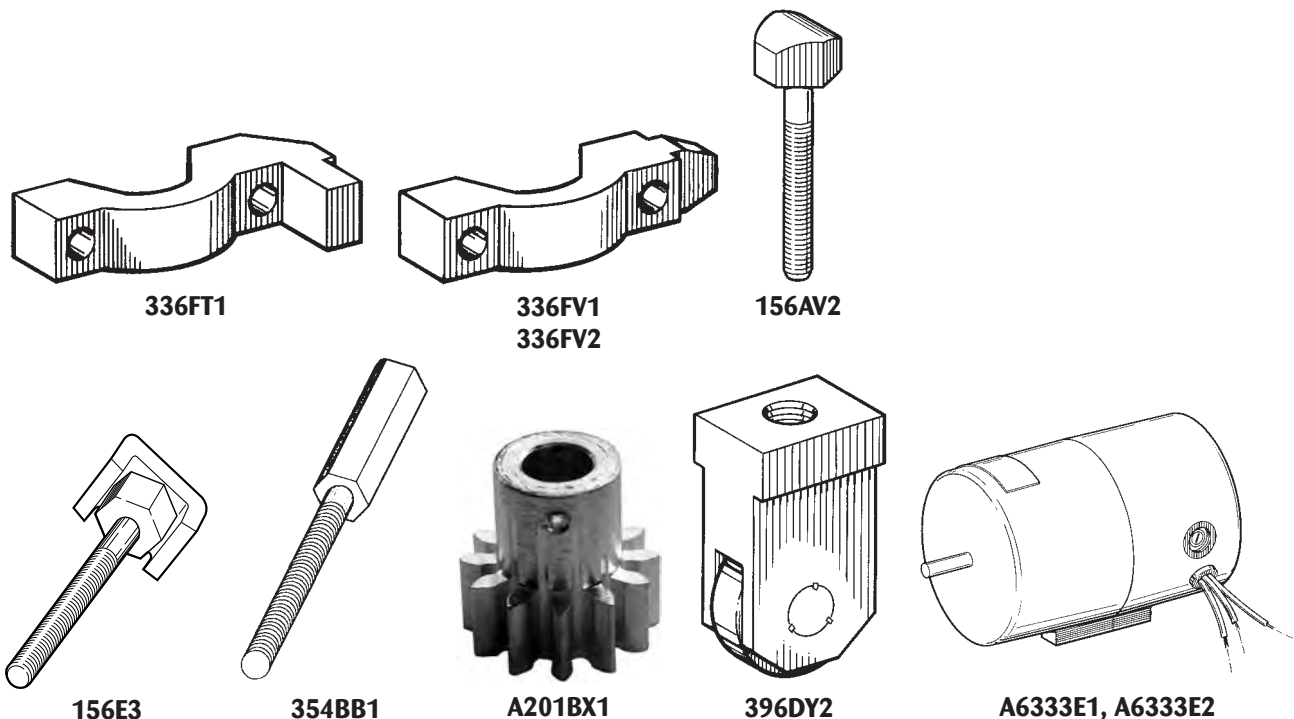
A6839F2, A6839F4



181917

**Otis 6104AY Selectors (continued)**

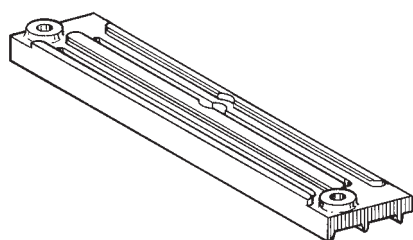
Part Number	Description
336FT1	Clamp For mounting limit switches.
336FV1	Clamp, with Pawl Lug Used with clamp part 336FT1.
336FV2	Clamp, without Lug For mounting limit switches.
156AV2	Contact, Silver, 5/16 in. x 3/8 in. (7,9 x 9,5 mm)
156E3	Contact, Silver, U-Shaped, 3/8 in. wide (9,5 mm)
354BB1	Distance Piece
A201BX1	Gear, Pinion, 12 Teeth For motor.
396DY2	Housing, Roller Arm With roller and pin; for 6104BF leveling switch.
A6333G1	Motor Assembly (with A6333E1 Motor) With gear and plate.
A6333E1	Motor, DC Without gear or plate.
A6333E2	Motor, DC Without gear or plate. With pre-drilled hole in shaft for pinion gear.



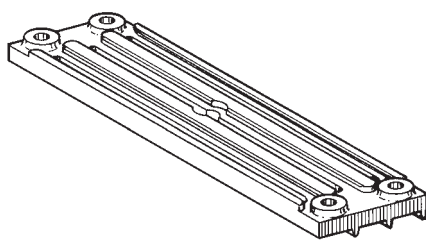


# Selectors & Top-of-Car Readers

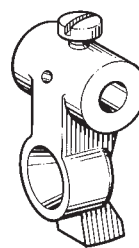
Part Number	Description
438CD2	Panel, Crosshead, 1-1/4 in. (31,8 mm) wide
438CD1	Panel, Crosshead, 1-7/8 in. (47,6 mm) wide, 8-1/4 in. (20,96 cm) long, phenolic
438CD3	Panel, Crosshead, 1-7/8 in. (47,6 mm) wide, 8-1/4 in. (20,96 cm) long. One edge removed.
439Y1	Pawl, Bronze
198P1	Pulley, Chain
323AR1	Pushbutton, Fiber
464CB1	Separator, 1.87 in. x 9/16 in. x 3/32 in. thick (47,5 x 14,3 x 2,4 mm)
6839Y1	Switch Consists of bracket, fiber cam, movable contact, flat spring, and lock-washer.
6839Y2	Switch Consists of bracket, carbon contact, movable contact, flat spring, and lock-washer.
6839B3	Switch, Brush Consists of contact base, silver spring contact, assembled silver contact, stop, terminal stud, and washer.
6839W1	Switch, Brush Consists of contact base, movable contact, stationary contact, spring support plate, phenolic separator, compression spring, and terminal stud.



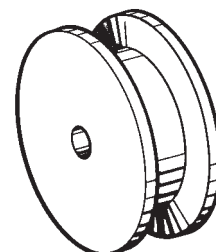
438CD2



438CD3



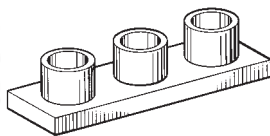
439Y1



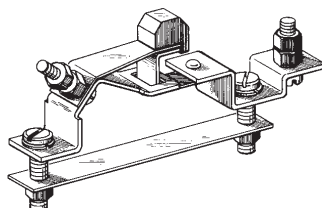
198P1



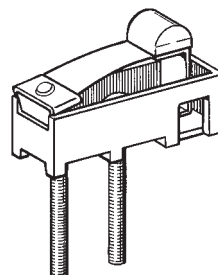
323AR1



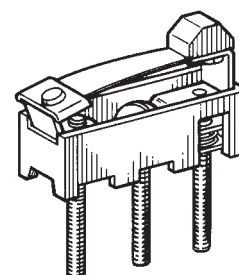
464CB1



6839Y1  
6839Y2



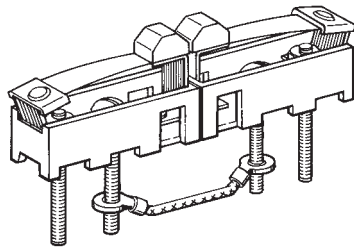
6839B3



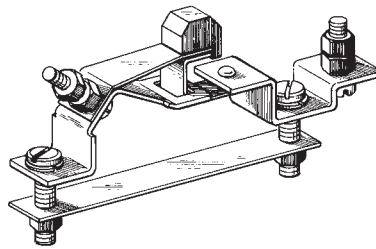
6839W1

## Otis 6104AY Selectors (continued)

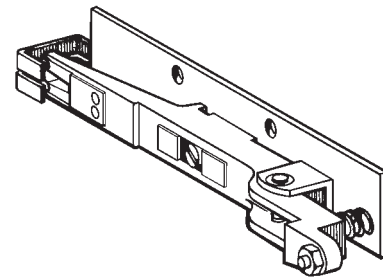
Part Number	Description
6839J1	Switch, Brush, Complete
6839Y3	Switch, Brush, Complete. Same as 6839Y1 except with stationary contact.
6839Y4	Switch, Brush, Complete. Same as 6839Y2 except with stationary contact.
6809C1	Switch, Door Zone, Complete
6104AS1	Switch, Limit, Complete
6104BK1	Switch, Motor Control, Complete



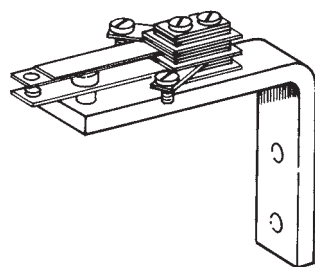
6839J1



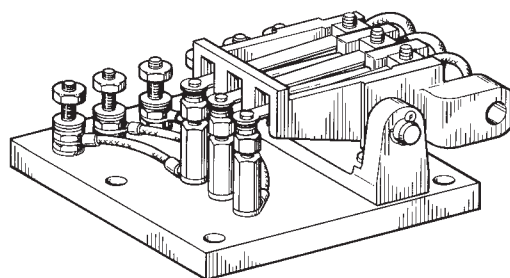
6839Y3  
6839Y4



6809C1



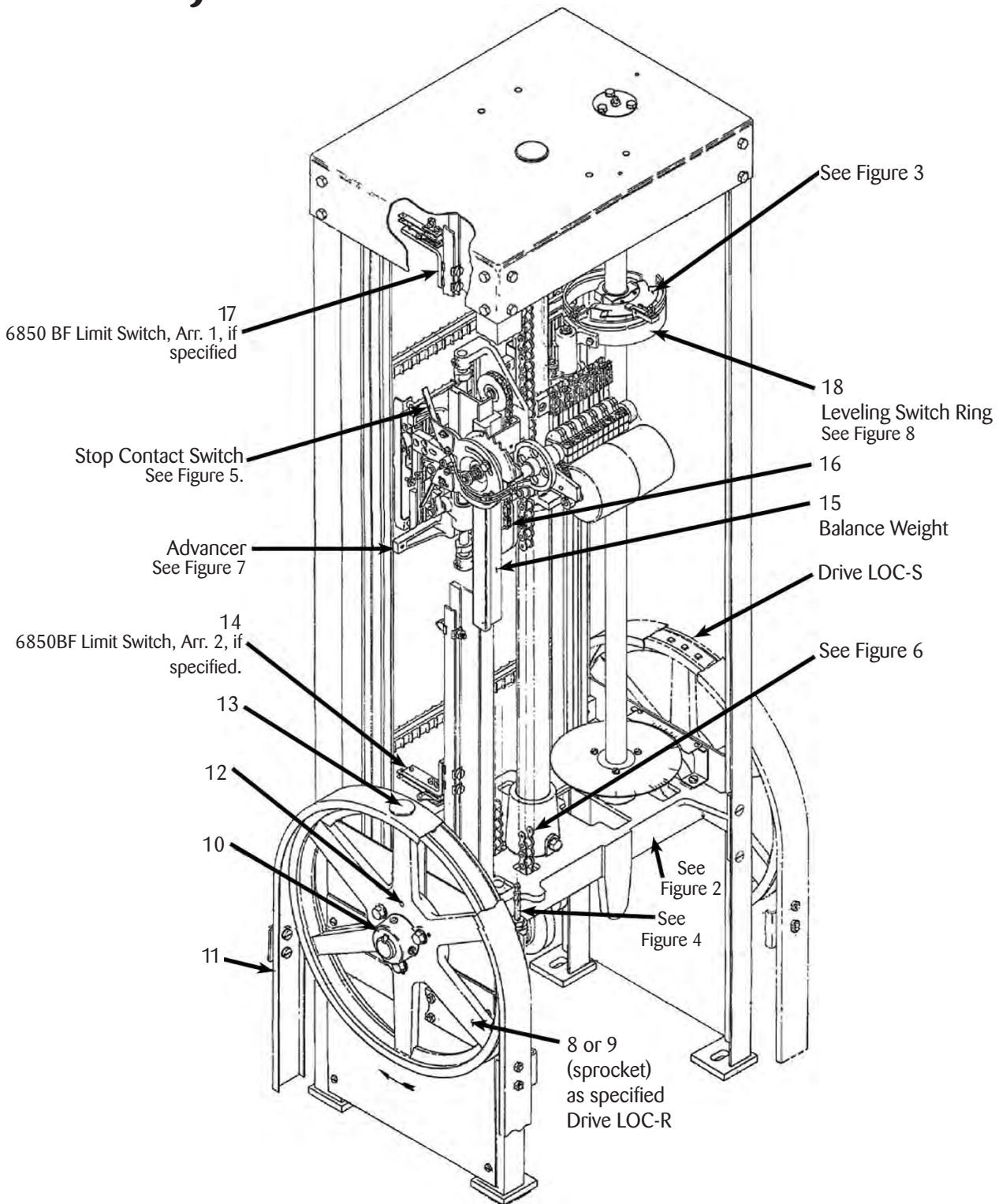
6104AS1



6104BK1

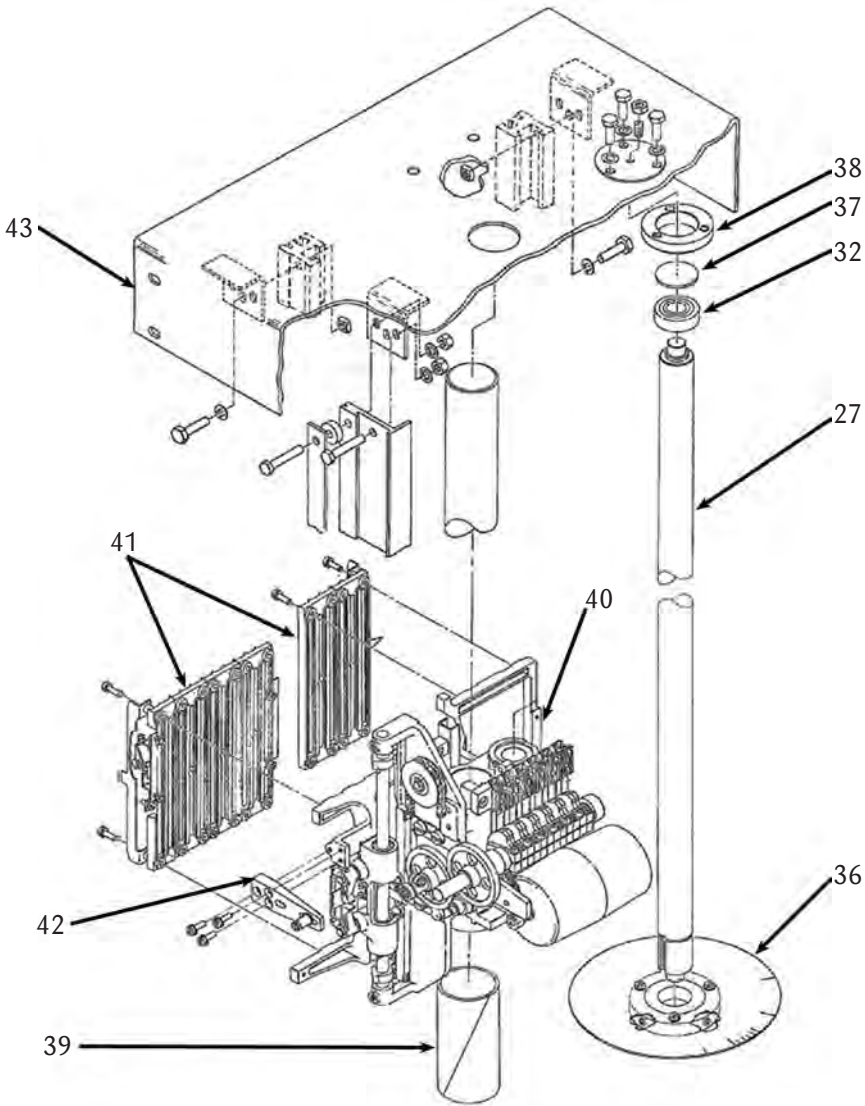
# Otis B6850BJ Selectors

Selectors & Top-of-Car Readers



**Figure 1: B6850BJ Selector**  
(Numbers are for reference when speaking to an OSC rep only; they do not correspond to listings in this catalog)

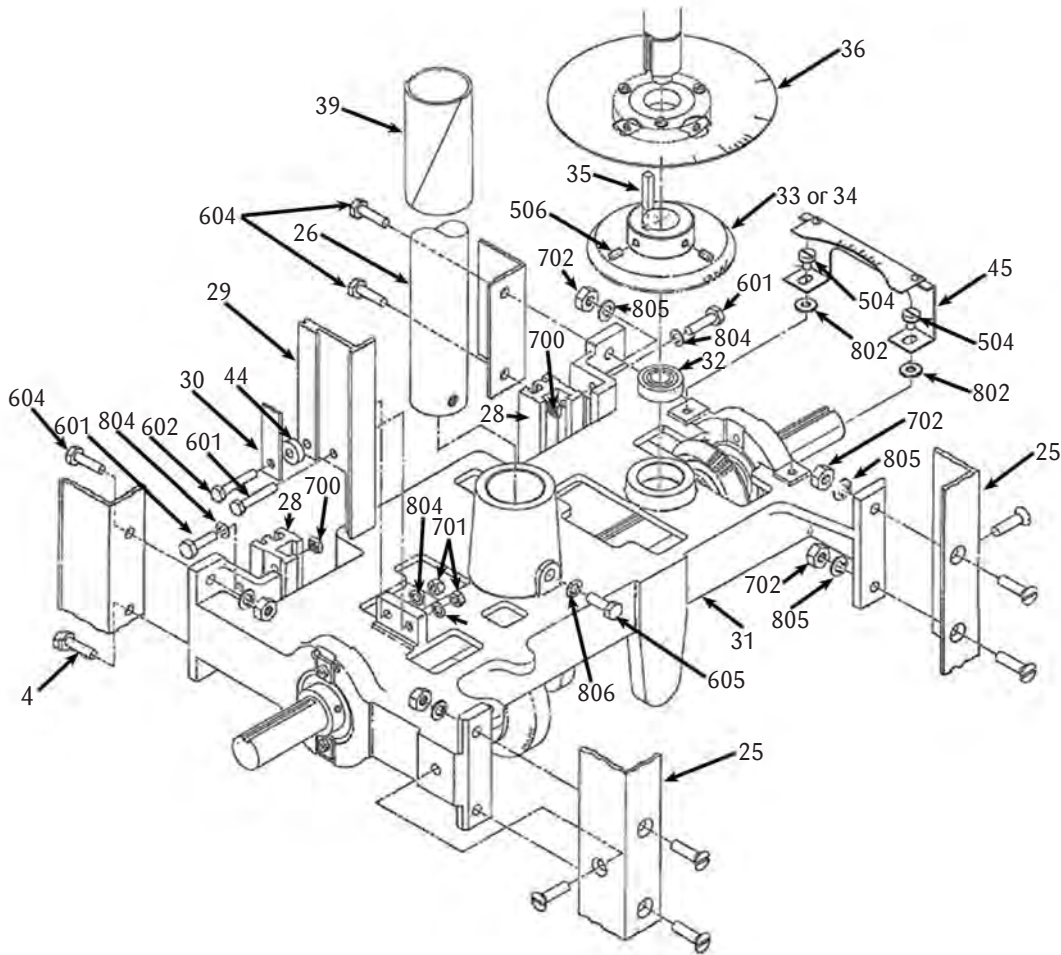
Otis B6850Bj Selectors (continued)



**Figure 2: 6850Bj Selector, Top End  
Brush Advancer and Crosshead Panel**  
(Numbers are for reference when speaking to an OSC rep only; they do not correspond to listings in this catalog)

Selectors &  
Top-of-Car Readers

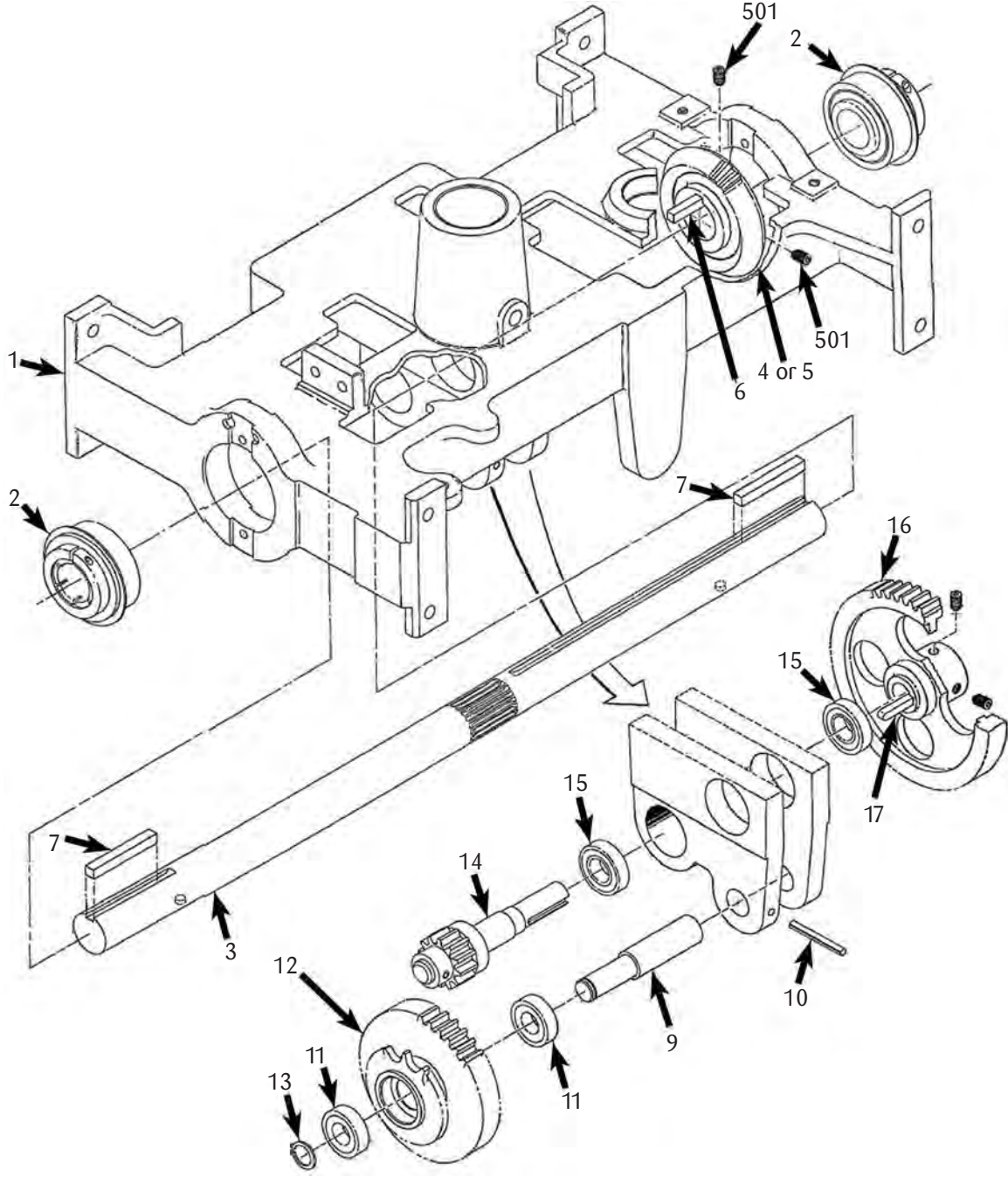
# Selectors & Top-of-Car Readers



**Figure 3: 6850BJ Selector, Bottom End Base Assembly**  
(Numbers are for reference when speaking to an OSC rep only; they do not correspond to listings in this catalog)

**Otis B6850Bj Selectors (continued)**

For 6850CK & A6850DK Selectors the same basic illustration applies. OSC Rep to see ref. docs.: 6850DB for type 6850Bj selectors & 6850DA for type 6850CK & DK selectors



**Figure 4: 6850Bj Selector, Bottom End Base Assembly**  
(Numbers are for reference when speaking to an OSC rep only; they do not correspond to listings in this catalog)

Selectors &  
Top-of-Car Readers

# Selectors & Top-of-Car Readers

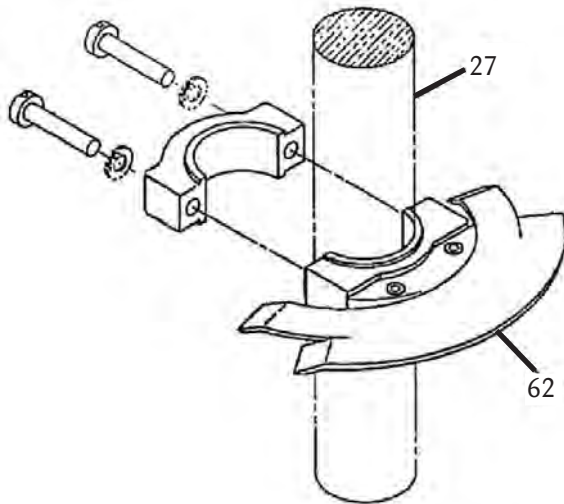


Figure 5: Pie Plate

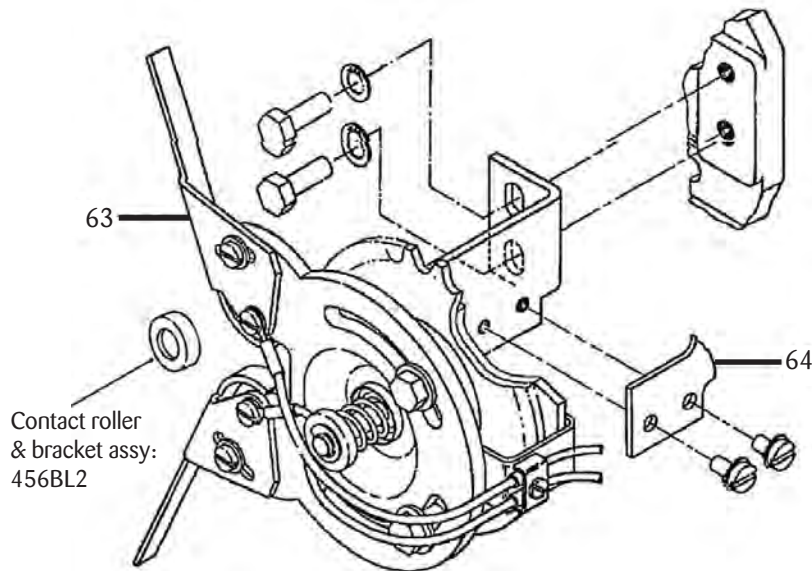


Figure 6: Stop Contact Switch

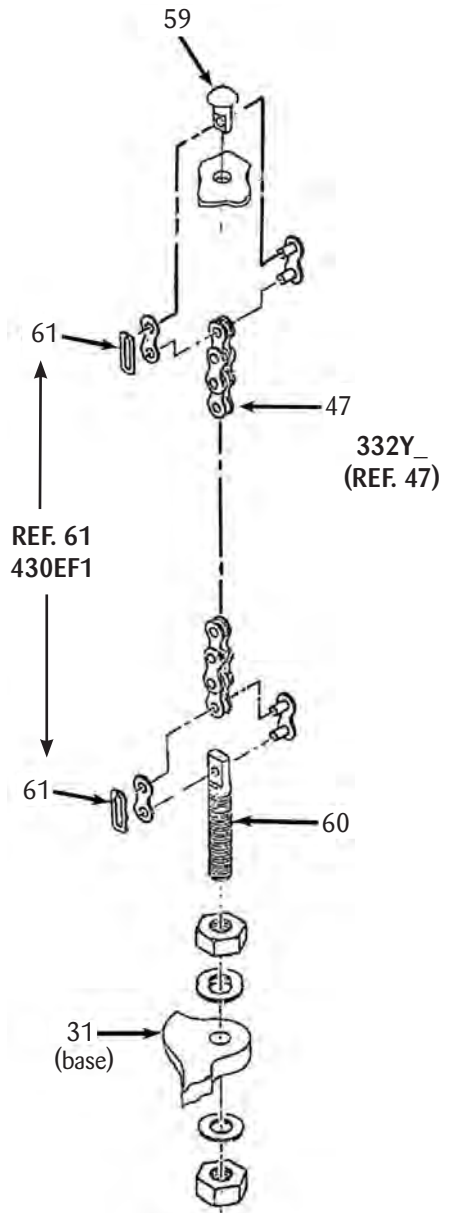


Figure 7: Vertical Chain

(Numbers are for reference when speaking to an OSC rep only; they do not correspond to listings in this catalog)

Otis B6850Bj Selectors (continued)

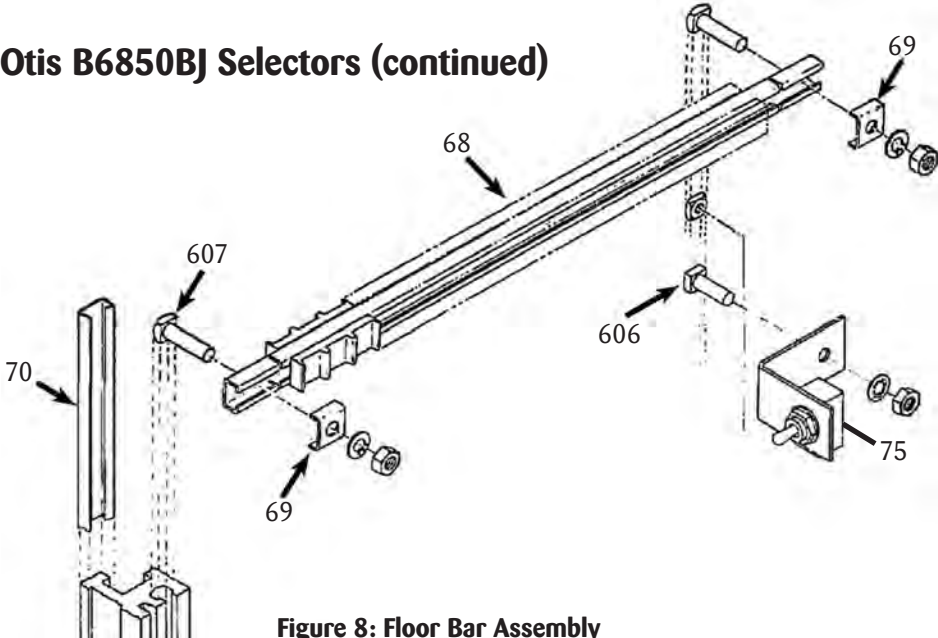


Figure 8: Floor Bar Assembly

(Numbers are for reference when speaking to an OSC rep only; they do not correspond to listings in this catalog)

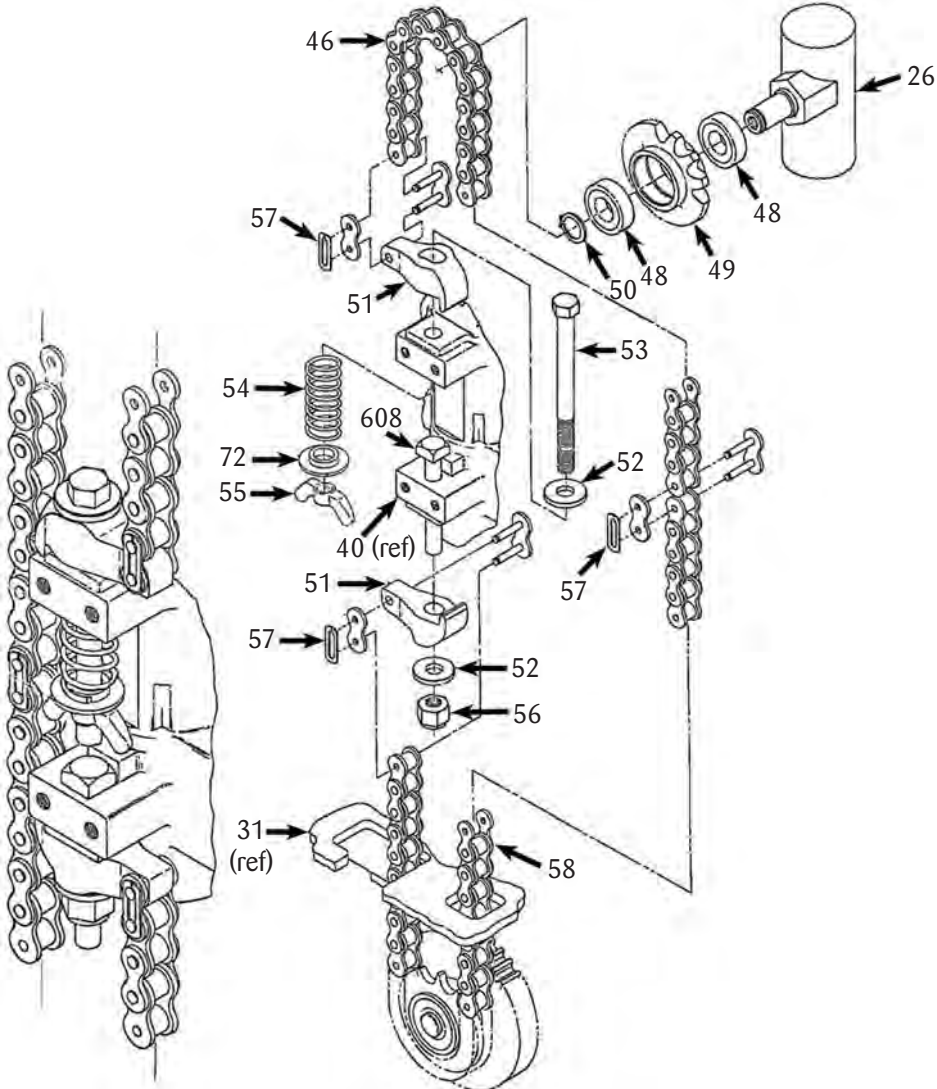


Figure 9: Chain Hitch Assemblies

Selectors & Top-of-Car Readers



# Selectors & Top-of-Car Readers

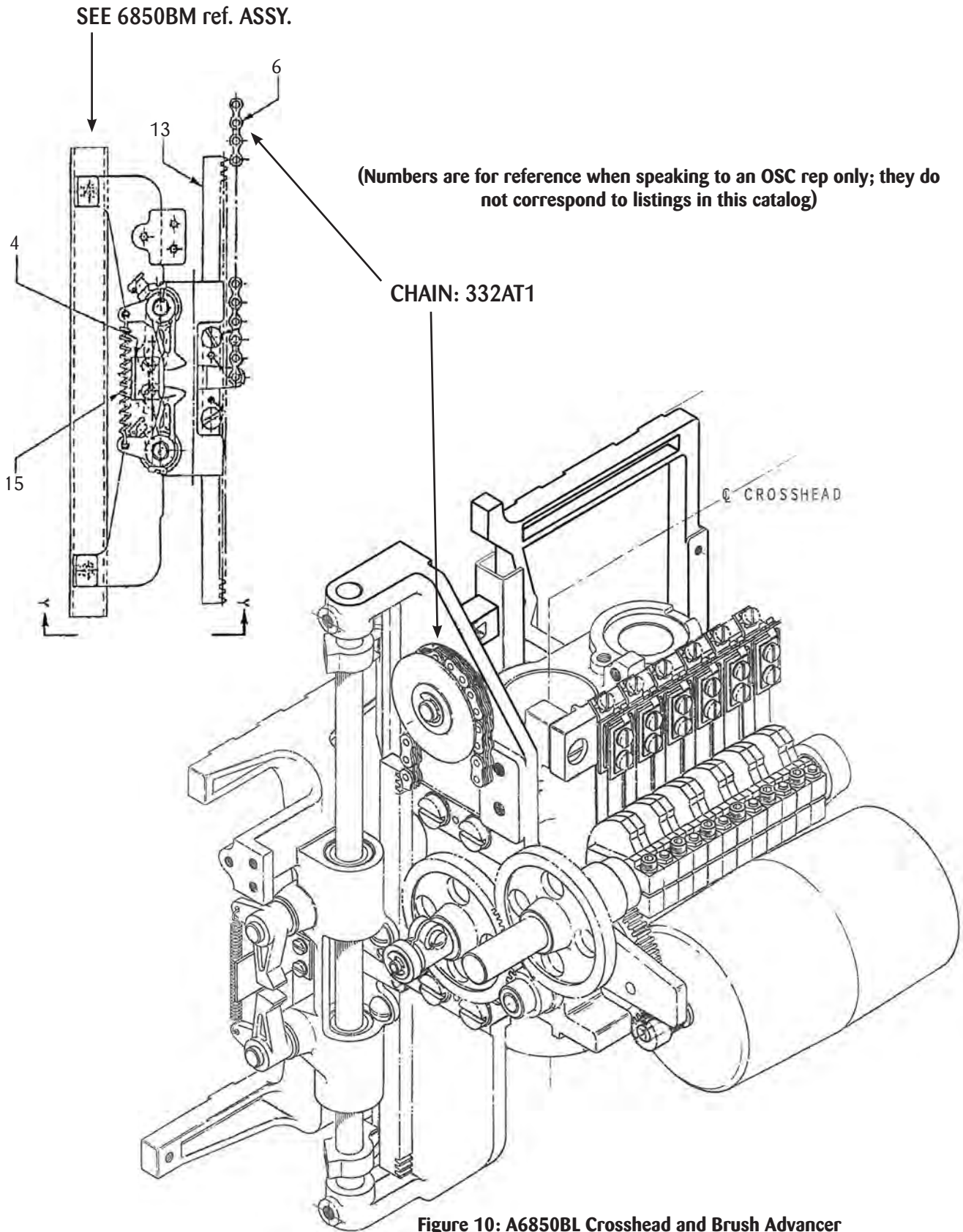


Figure 10: A6850BL Crosshead and Brush Advancer

Otis B6850Bj Selectors (continued)

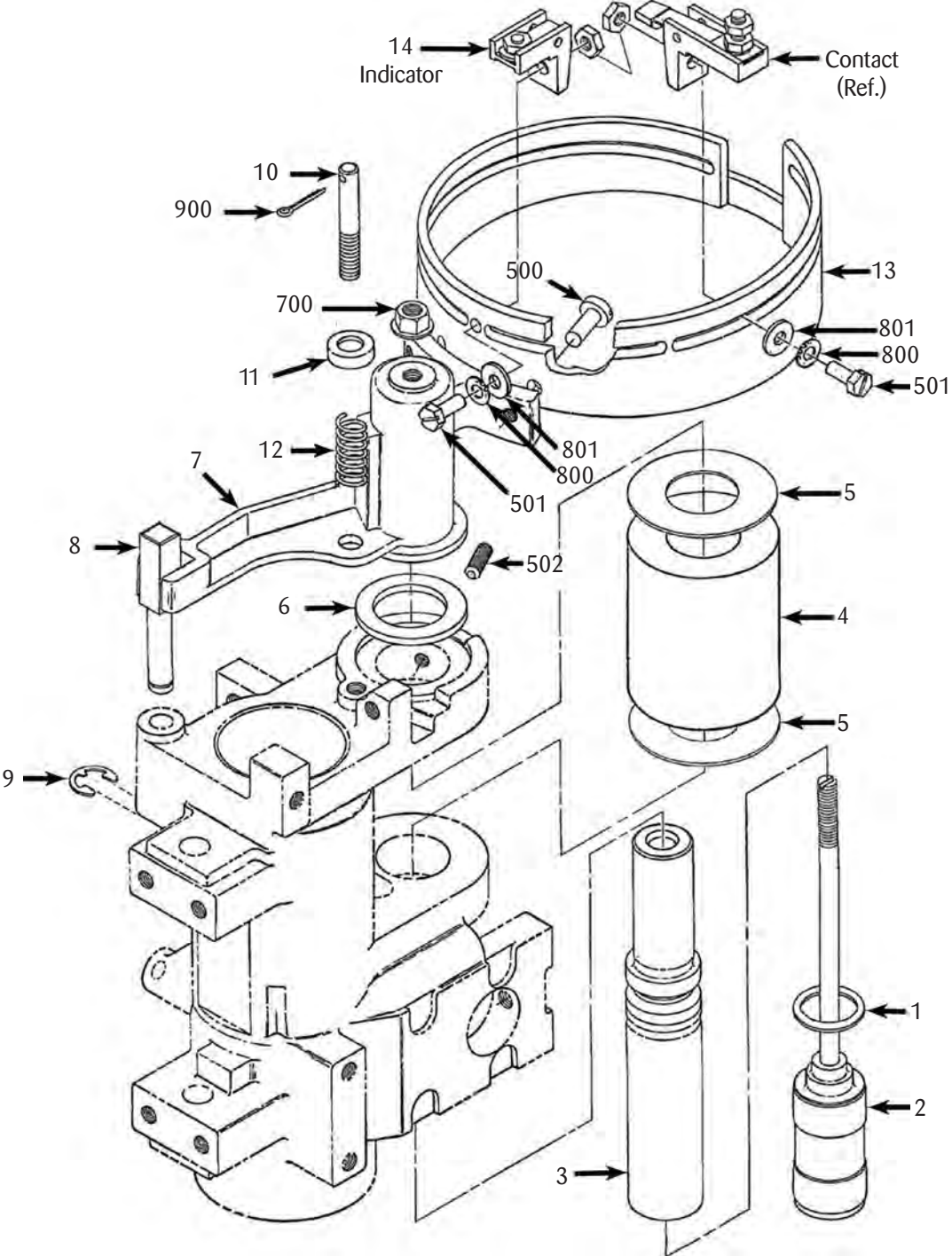


Figure 11: A6851D Leveling Switch

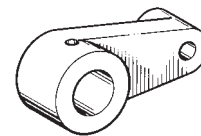
(Numbers are for reference when speaking to an OSC rep only; they do not correspond to listings in this catalog) OSC Rep to see ref. doc.: A6851D

Selectors &  
Top-of-Car Readers

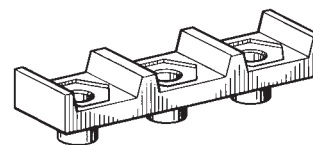
# Selectors & Top-of-Car Readers

## Otis B6850Bj Selector Spare Parts

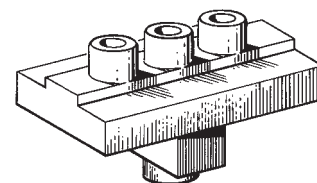
Part No.	Description
A288GE1	Arm, Roller, Bronze
306GD3	Base, Floor Bar, 1-1/4 in. (31,8 mm) Long, 2 Holes
306GD1	Base, Floor Bar, 1-7/8 in. (47,6 mm) Long, 3 Holes
306GD2	Base, Floor Bar, 5/8 in. (15,9 mm) Long, 1 Hole
306GT1	Base, with 3 Holes
A6839F4	Brush Assembly Consists of bracket, silver alloy contact, holder, and flat spring.
6839AA1	Brush Assembly, with Contact
A6839F2	Brush, Contact Consists of bracket, carbon contact, and shim.
6827C1	Cam, Pie Plate Complete with clamp (336CM1).
2166J1	Cam, Short Consists of 15/16 in. (23,8 mm) long phenolic cam and 4 in. (10,16 cm) long carbon contact.
2166J2	Cam, Short Consists of bracket, 15/16 in. (23,8 mm) long phenolic cam, 4 in. (10,16 cm) long carbon contact, and flat spring.
327GJ1	Cam, Toggle



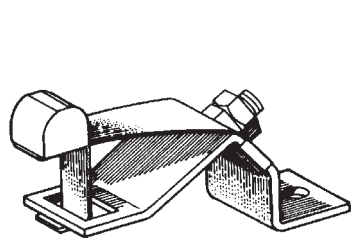
**A288GE1**



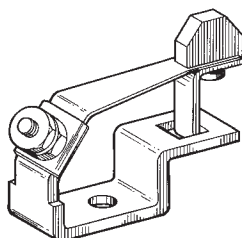
**306GD1**



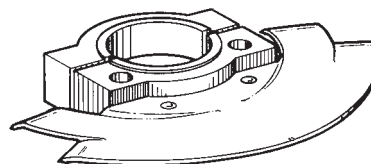
**306GT1**



**A6839F2, A6839F4**



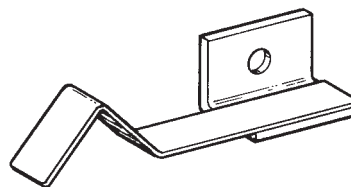
**6839AA1**



**6827C1**



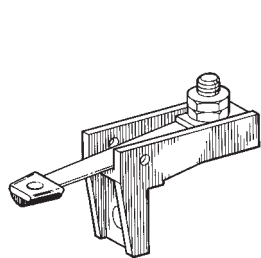
**2166J1, 2166J2**



**327GJ1**

## Otis B6850Bj Selectors (continued)

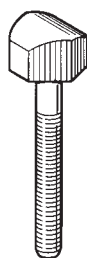
Part No.	Description
6839D4	Contact, Long Arm (0.5 in./12,7 mm longer than 6839D3)
6839AB1	Contact, Rocking Consists of bracket, contact with dished fiber cam and silver contact, and lock-washer.
6839D3	Contact, Short Arm
156AV2	Contact, Silver, 5/16 in. x 3/8 in. (7,9 x 9,5 mm)
156E3	Contact, Silver, U-Shaped, 3/8 in. (9,5 mm) Wide
202BP1	Gear, Bevel. 40 Teeth. For cam shaft.
202BR1	Gear, Bevel. 54 Teeth. For drive shaft.
201BV2	Gear, Pinion, 12 Teeth. For advancer motor.
205C8	Gear, Sprocket. 40 teeth with internal retaining rings for 60:1 ratio.
205C6	Gear, Sprocket. 48 teeth with internal retaining rings for 111:1 ratio.
288FZ1	Lever, Aluminum. Chain to crosshead.



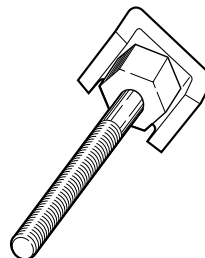
6839D3, 6839D4



6839AB1



156AV2



156E3



202BP1



202BR1



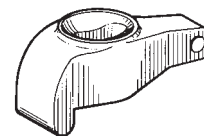
201BV2



205C8



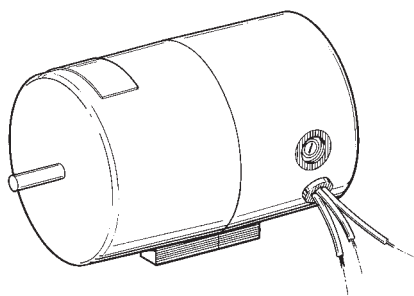
205C6



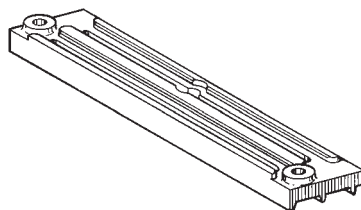
288FZ1

# Selectors & Top-of-Car Readers

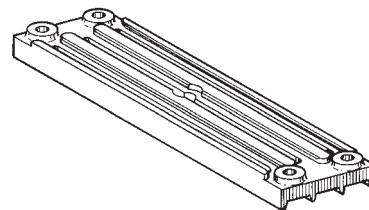
Part No.	Description
A6333E1	Motor, DC Without gear or plate. Without pre-drilled hole in shaft.
A6333E2	Motor, DC Without gear or plate. With pre-drilled hole in shaft.
438CD2	Panel, Crosshead, 1-1/4 in. (31,8 mm) Wide, 8.25" long
438CD1	Panel, Crosshead, 1-7/8 in. (47,6 mm) Wide, 8.25" long
439R1	Pawl, Bronze Two used per crosshead advancer. For pin, use 81AX15.
323AR1	Pushbutton, Fiber
464CB1	Separator, 1.870 in. x 9/16 in. x 3/32 in. thick (47,5 x 14,3 x 2,4 mm).
494JB2	Shaft, Drive. 1-1/8 in. (28,6 mm) diameter, 25 in. (63,5 cm) long. Used on ML 2031AH3 and 2031AH4.
6839Y1	Switch Consists of bracket, fiber cam, movable contact, flat spring, and lock-washer.
6839Y2	Switch Consists of bracket, carbon contact, movable contact, flat spring, and lock-washer.



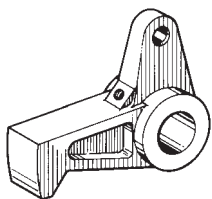
**A6333E1**  
(A6333E2 similar)



**438CD2**



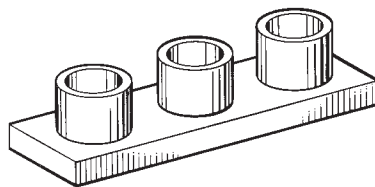
**438CD1**



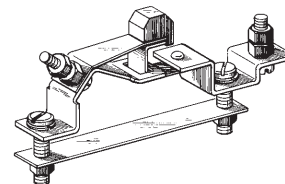
**439R1**



**323AR1**



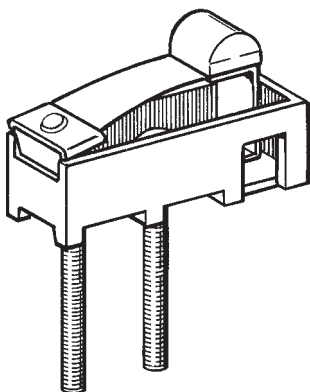
**464CB1**



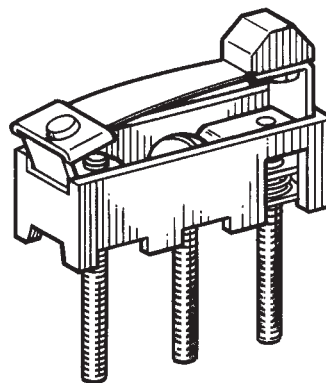
**6839Y1, 6839Y2**

## Otis B6850Bj Selectors (continued)

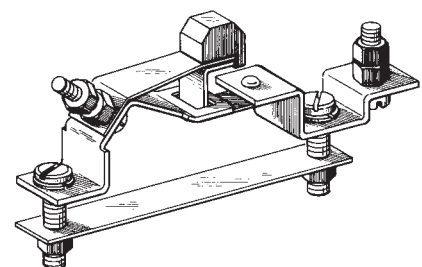
Part No.	Description
2166G3	Switch, Brush Consists of brush switch 6839B3 and phenolic separators.
2166G5	Switch, Brush Consists of brush switch 6839B3, rectifier, phenolic separators, and mating stationary contact.
6839B2	Switch, Brush Consists of contact base, carbon spring contact, stop, terminal stud, and washer.
6839B3	Switch, Brush Consists of contact base, silver spring contact, stop, terminal stud, and washer.
6839W1	Switch, Brush Consists of contact base, movable contact, stationary contact, spring support plate, phenolic separator, compression spring, and terminal stud.
6839Y3	Switch, Brush, Complete. Same as 6839Y1 except with stationary contact.
6839Y4	Switch, Brush, Complete. Same as 6839Y2 except with stationary contact.
6839B1	Brush assy - w/non-conductive tip
6839B4	Brush assy - w/non conductive tip



**2166G3, 2166G5  
6839B2, 6839B3  
6839B1, 6839B4**



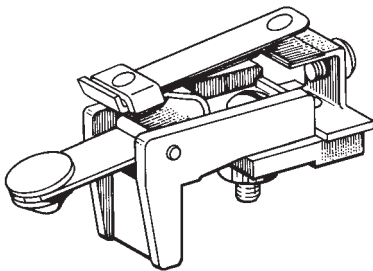
**6839W1**



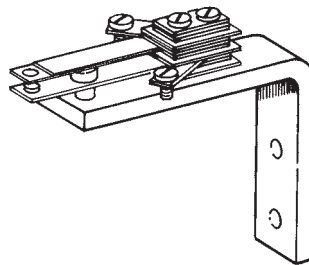
**6839Y3, 6839Y4**

## Selectors & Top-of-Car Readers

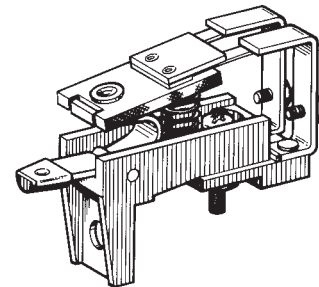
Part No.	Description
A6839E1	Switch, Door Zone (short arm) Consists of contact base, movable spring contact, stationary contact with base, pin, and compression spring.
A6839E2	Switch, Door Zone, Long Arm Consists of contact base, movable contact, stationary contact, pin, spring support plate, and compression spring.
6104AS1	Switch, Limit, Complete
A6839G4	Switch, Long Arm Consists of contact base, movable double contact, stationary contact, pin, spring support plate, and compression spring.
A6839G1	Switch, Short Arm Consists of contact base, movable double contact, stationary contact, pin, spring support plate, and compression spring.
6851B2	Switch, Stop Control, Complete
6850Y1	Switch, Stopping
7042A1	Switch, Toggle



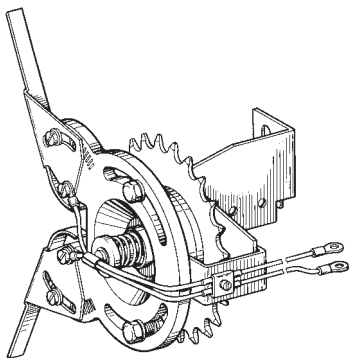
A6839E1, A6839E2



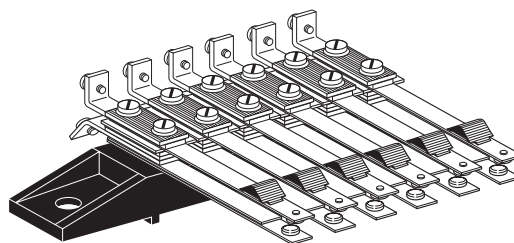
6104AS1



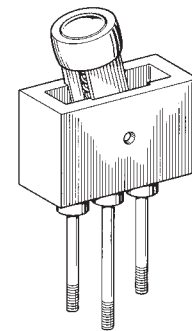
A6839G1, A6839G4



6851B2



6850Y1



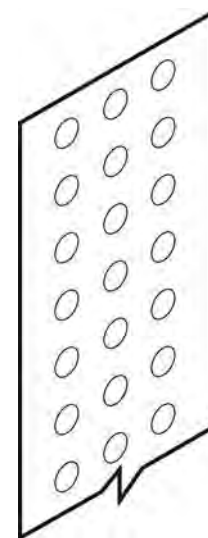
7042A1

# Tape Systems (stationary and toothed)

**NOTE:** This section does not cover broken tape devices with switches.  
See the *OTIS Limit and Carframe Mounted Switches and Tape Hitch Devices* catalog for more information.

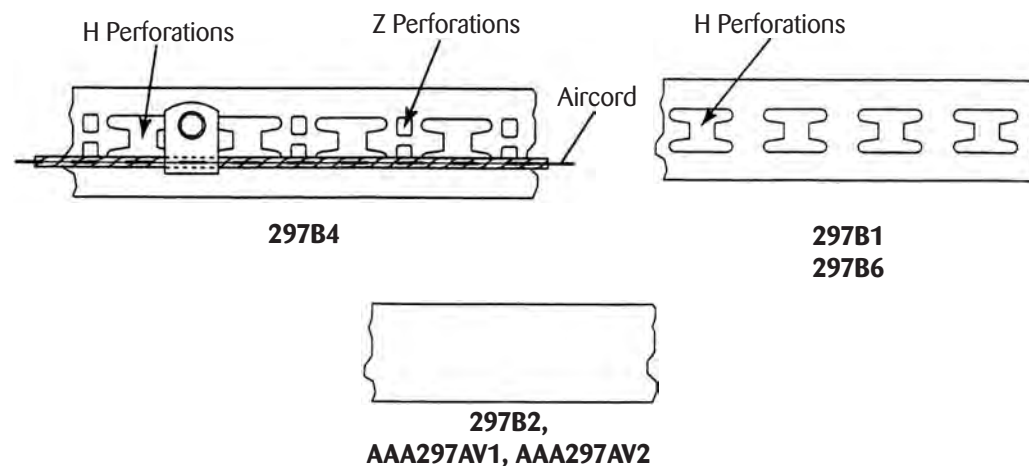
## Tape

Part No.	Description
297B4	Tape Assembly With aircraft cable for open hoistway applications. Special order only.
297B6	Tape, 1 in. (25,4 mm) pitch, with H-Shaped Perforations To replace Armour tape.
297B1	Tape, 1 in. (25,4 mm) wide, <b>under</b> 1 in. (25,4 mm) pitch, with H-Shaped Perforations For Otis selectors and PPT. Not interchangeable with 297B6.
297B2	Tape, 1 in. (25,4 mm) wide, without Perforations For Otis selectors.
AAA00279AAA002	Tape, Stainless Steel, 2 in. (50,8 mm) Wide For Otis SPT floating tape devices.
AAA297AV2	Tape, Stainless Steel, 3-15/16 in. (10 cm) Wide For Otis AAA22439AAF applications.
297T2	Tape, Stainless Steel, 3 in. wide. Perforated with 3 Holes Across Width
AAA00279AAA001	Tape, Steel, 2 in. (50,8 mm) Wide For Otis SPT floating tape devices.
AAA297AV1	Tape, Steel, 3-15/16 in. (10 cm) Wide For Otis AAA22439AAF applications.
3/4x015-steel	Tape, steel – 3/4" wide x .015" thick



297T2

**NOTE:** For ESCO tape, see page 27.



297B4

297B1  
297B6

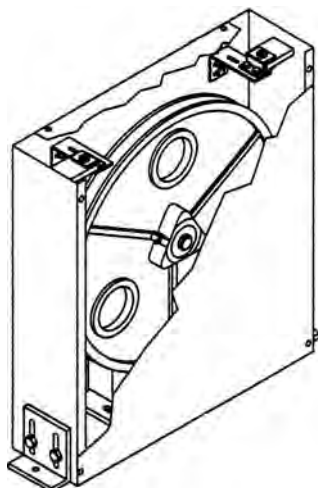
297B2,  
AAA297AV1, AAA297AV2



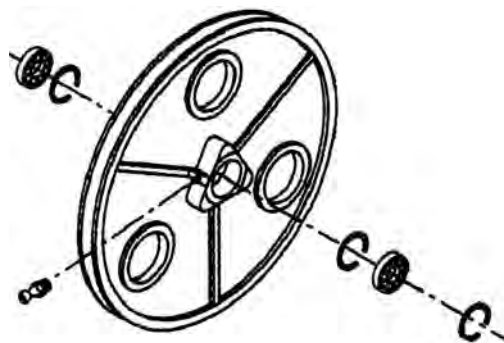
# Selectors & Top-of-Car Readers

## Pulleys and Sprockets

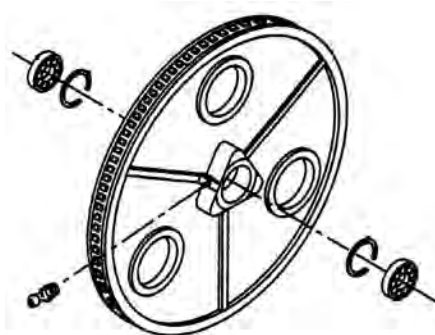
Part No.	Description
6730C6	Pulley, Pit Idler Tape, 16 in. (40,64 cm), without Teeth, with Safety Guard Box
6730D6	Pulley, Pit Idler Tape, 16 in. (40,64 cm), without Teeth, without Safety Guard Box
AAA198AT3	Pulley, Tape Idler, 16 in. (40,64 cm), without Teeth
AAA198AT4	Pulley, Tape Idler, 16 in. (40,64 cm), without Teeth. Replacement for bronze sleeve bearing pulley.
6730C7	Safety Guard Box. For pit idler tape pulley 6730D6.
7145B12	Safety Guard (Machine Room). For tape sheave 7145B10.
7145B10	Sheave, Tape (Machine Room). With stand assembly and guard. For PT or SPPT applications. (uses sprocket 195GN2)
195GN2	Sheave, Tape, 20.4" diam. w/teeth. Accepts ball bearings.



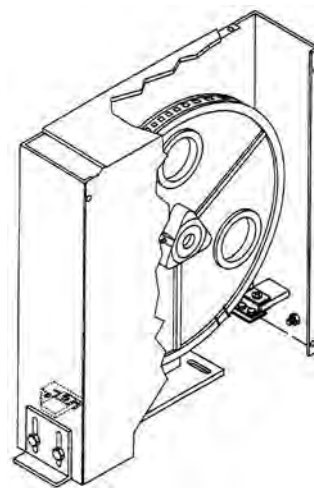
6730C6, 6730D6



AAA198AT3, AAA198AT4



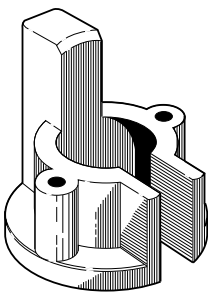
195GN2



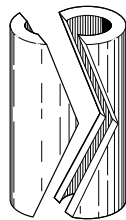
7145B10

## Miscellaneous Tape & Reader Related Parts

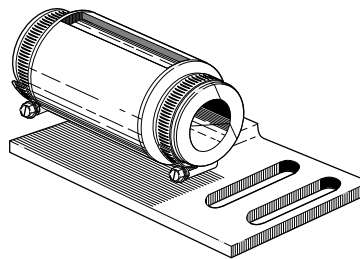
Part No.	Description
283ABC1	Angle, Vane, Stationary, Hoistway-Mounted 3.5 in. x 2.75 in. x 19.5 in. (88,9 x 69,9 x 495,3 mm) 401 Applications
385JW1	Guide, Tape, 1-1/8 in. (28,6 mm) Bore. Used in pairs.
CAA385A1	Guide, Tape, Split, with Rings
CAA22400A1	Guide, Tape. Assembly that uses CAA385A1 tape guide.
A177DS1	Sensor, with cable, 3-1/8 in. x 1-3/16 in. x 2 in. tall (79,4 x 30,2 x 50,8 mm) throat. Use 4 per car. For 7145D tape reader boxes used on E401 applications.
488B1	Wick/Wiper. For 6730C, 6730D, and 7145B.
91AG1	Spring, Ext. – 17 .5" x 1.5" OD (for tensioning selec. Tape on CWT side)
91AA1	Spring, Ext. – 11.75" x 2.4" OD (for tensioning selec. Tape on CWT side)
B6199T1	Guide, Tape – Assy. Angle bracket w/ (2) 385JW1 (also used as Gov. rope guide)



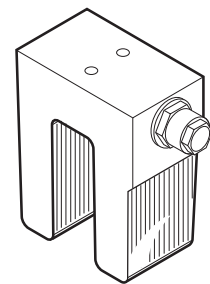
385JW1



CAA385A1



CAA22400A1



A177DS1

# Top-of-Car Readers

## ESCO Products

### Reader Boxes for A5, A6L, A7, A8M, A8MD, and LZS Applications

Part No.	Description
ESCO-3-364-028	Cam, Indexing, Right-Hand. For A7 application only.
ESCO-3-364-029	Cam, Indexing, Left-Hand. For A7 application only.
ESCO-3-016-031	Guide, Tape, Complete
509W7	Hook, S-Shaped. For tape at top.
ESCO-3-037-034	Lifter, Disc Switch, 1 Lobe. For A7 application only.
ESCO-3-037-035	Lifter, Disc Switch, 6 Lobes. For A7 application only.
ESCO-3-010-027	Spring, Tension. For tape at bottom.
ESCO-3-410-007	Striker, Stepping. For all applications except A7.
ESCO-3-410-001	Striker, Zone. For all applications except A7.
ESCO-3-376-160	Switch, with normally open and normally closed contacts. For A7 application only.
ESCO-3-376-159	Switch. For A8M, A8MD, and LZS applications.
ESCO-3-070-005	Tape, Steel, 1/2 in. (12,7 mm) Wide
ESCO-3-364-027	Vane Assembly. For all applications except A7.



ESCO-3-364-028  
ESCO-3-364-029



509W7



ESCO-3-037-035



ESCO-3-016-031



ESCO-3-010-027



ESCO-3-410-007



ESCO-3-410-001



ESCO-3-376-159

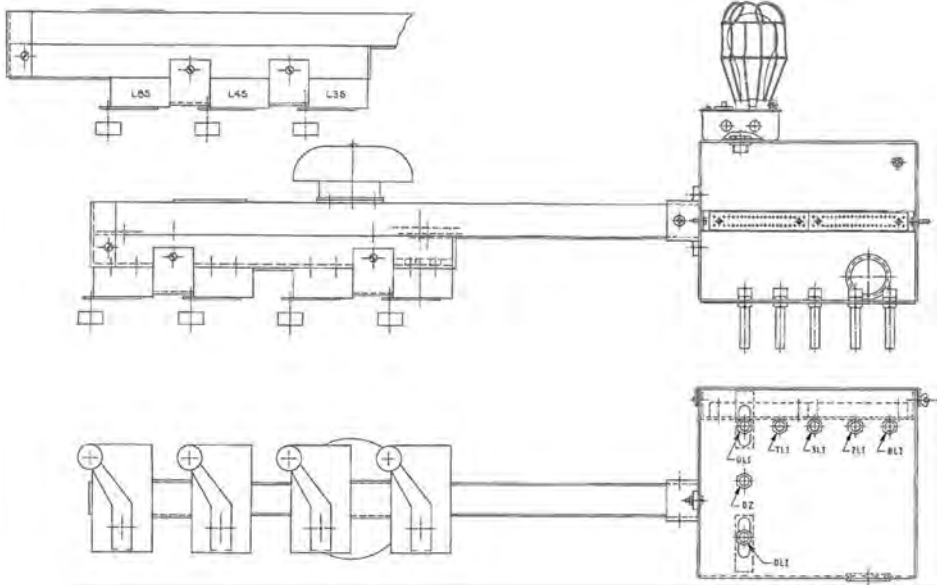


ESCO-3-364-027

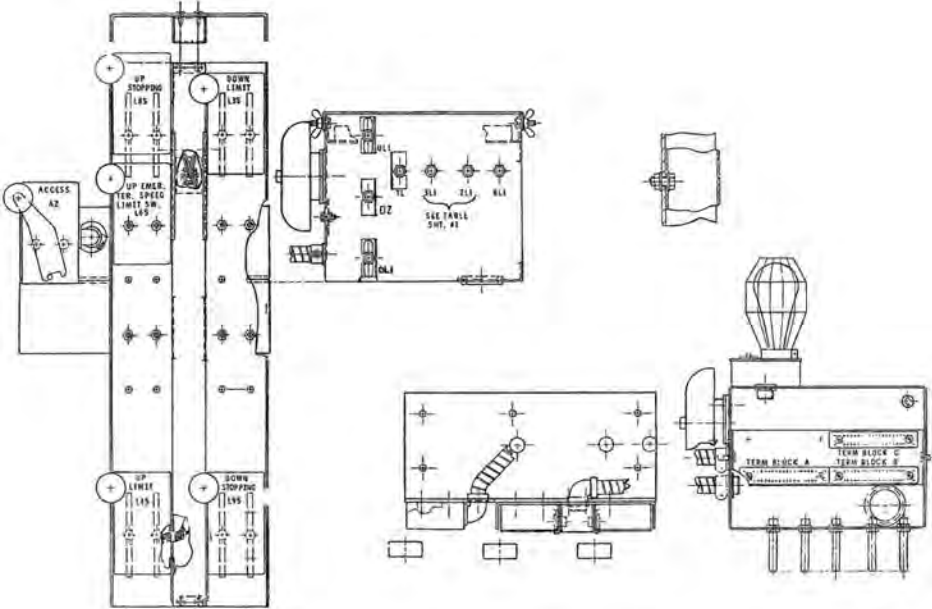
# Otis Products

- 7003AM Reader Box for Early LRV Applications
- A7003AT Reader Box for 6193LE Applications
- A7003AV Reader Box for Cantilevered Holeless Applications
- A7003AW Reader Box for LRS Applications
- 7003BB and 7003BC Reader Box for LRV4 Applications
- AAA25500AAA Reader Box for LRV-4 Applications

Selectors & Top-of-Car Readers



7003AM Reader Box

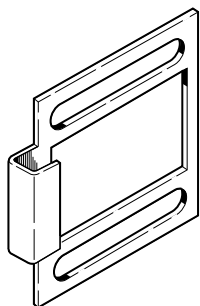


A7003AT Reader Box  
Similar to A7003AW, 7003BB, and AAA25500AAA Reader Boxes

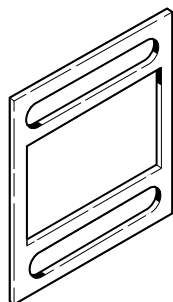
## Selectors & Top-of-Car Readers

(Parts Related to Assemblies & Applications on Previous Page)

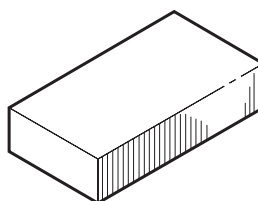
Part No.	Description
FO396AS1	Holder, Magnet, with Tab For magnet FO233B1.
FO396AT1	Holder, Magnet, without Tab For magnet FO233B1.
FO233B1	Magnet
FAA177DC1	Switch, Inductor Replaces 3 in. (76,2 mm) long inductor having two leads.
AAA6098NM3	Switch, Limit, Double-Pole Breaking Arm position down and to the left.
AAA6098NM4	Switch, Limit, Double-Pole Breaking Arm position down and to the right.
AAA6098NM2	Switch, Limit, Single-Pole Breaking Arm position down and to the right.



**FO396AS1**



**FO396AT1**



**FO233B1**



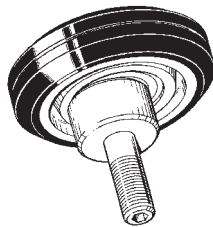
**FAA177DC1**



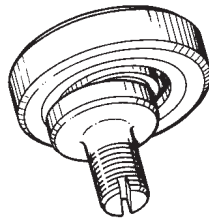
**AAA6098NM4**  
(AAA6098NM2 similar)  
(AAA6098NM3 opposite)

### A7137F Reader Box for MRV and MRVF Applications

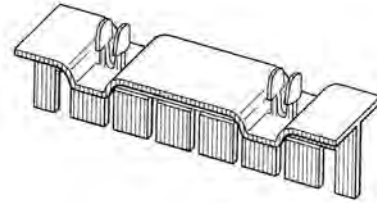
Part No.	Description
AAA21305AV1	Proximity Sensor Kit, with PC Board Replaces cylindrical switch 1-7/8 in. (2,54 cm) long with three 24-in. (60,96 cm) leads.
AAA21030A1	Proximity Switch Kit Replaces AAA608A1.
456EN1	Roller, 1.75 in. (4,45 cm), Eccentric
456EG1	Roller, 3 in. (7,62 cm) With groove around perimeter.
299AJG1	Flag, Binary – for A7137F position reader. (3.75" x .87")



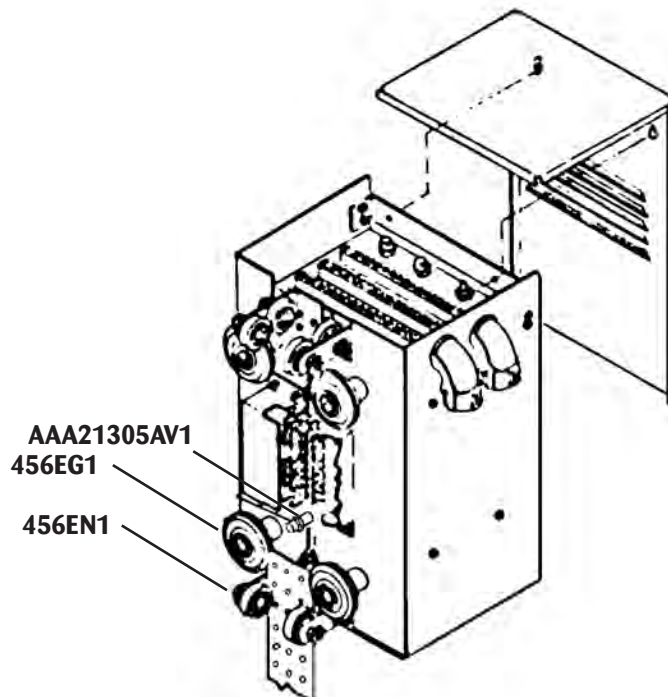
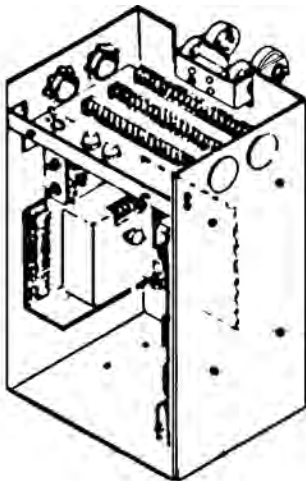
456EG1



456EN1



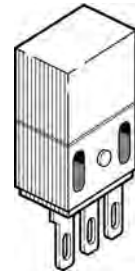
299AJG1



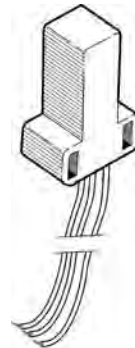
# Selectors & Top-of-Car Readers

## 7575AX Reader Box for MRVF Applications 7575AY Reader Box for MRS Applications 7575Y Reader Box for MRVF Applications

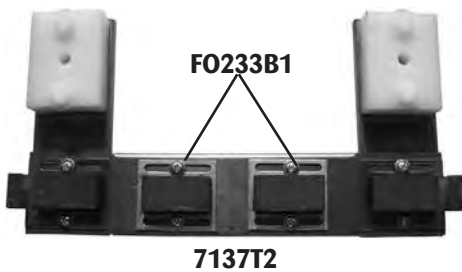
Part No.	Description
2700CBH1	Cam, Tape, Channel-Type. 9/16 in. (14,3 mm) x 3/8 in. (9,5 mm) x 8 in. (20,32 cm) Long, with Hardware.
2700CBH2	Cam, Tape, Channel-Type. 9/16 in. (14,3 mm) x 3/8 in. (9,5 mm) x 10 in. (25,4 cm) Long, with Hardware.
2700CBH3	Cam, Tape, Channel-Type. 9/16 in. (14,3 mm) x 3/8 in. (9,5 mm) x 12 in. (30,48 cm) Long, with Hardware.
385PD1	Guide, Tape, 14 in. (35,56 cm) x 1-5/8 in. (41,3 mm), with grooves on both sides.
7137T1	Magnet, Assembly with Bracket. Uses FO233B1.
7137T2	Magnet, Assembly with Bracket. Uses FO233B1.
FAA177DC1	Switch, Inductor (ALS, ELS) Replaces FO177BP1 and FO177BP2. Replaces 3 in. (76,2 mm) long inductor with two leads.
177CV1	Switch, Inductor (Proximity), M12 Thread, 3 Leads. Replaces aluminum & brass housing inductors.
P177CD1-MICROSWITCH	Switch, Proximity (7575Y-MRVF)
P177CE1	Switch, Proximity (BCO, TCO), MRVF



**P177CE1**



**P177CD1-MICROSWITCH**



**FO233B1**

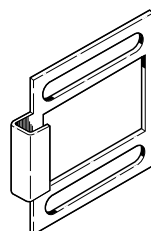
**7137T2**



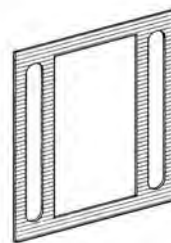
**FAA177DC1**



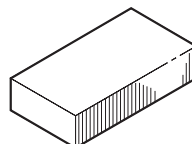
**177CV1**



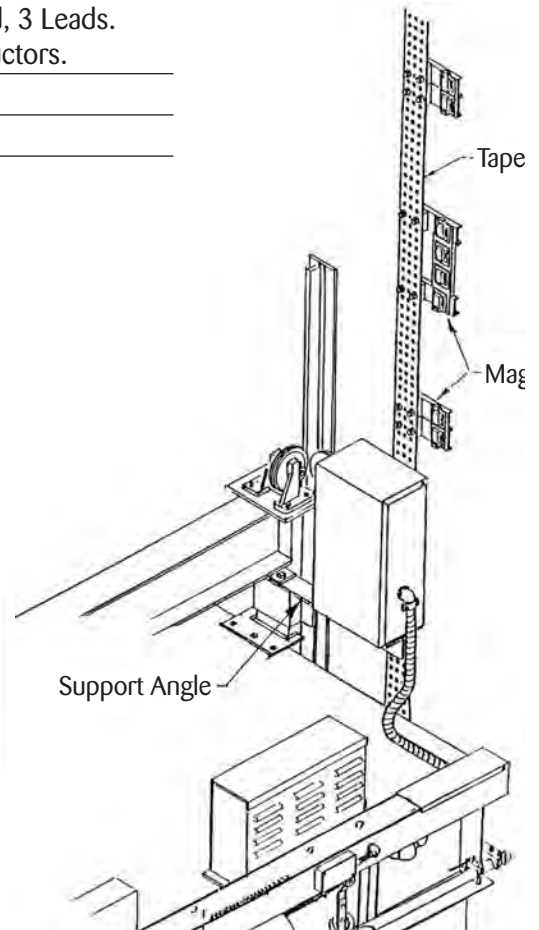
**FO396AS1**



**FO396AT1**



**FO233B1**



Tape

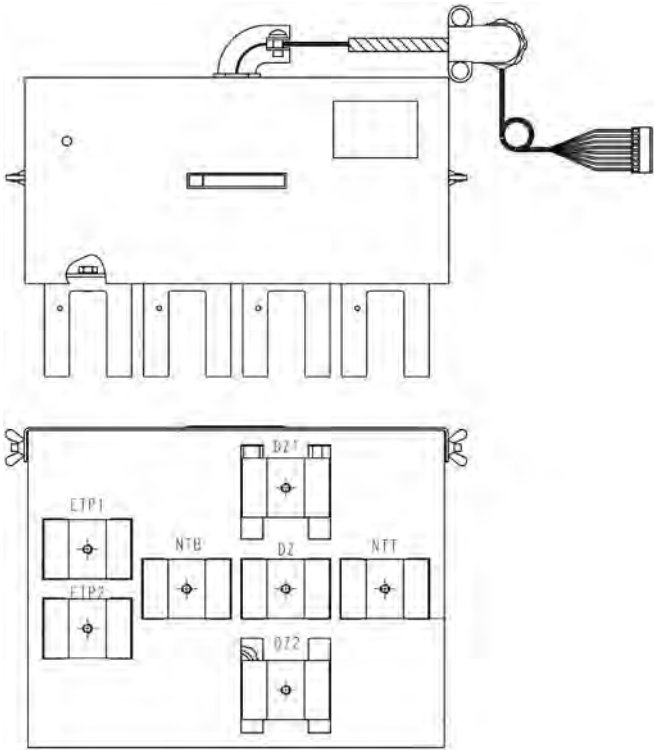
Μαξ

Support Angle

**A\*A7630AA Vane Reader for HVS and Gen2® Applications**

Part No.	Description
AAA629AG5	Switch, Optical Slot, Normally Open. 2.25 in. x 2.75 in. x 1.5 in. (57,2 x 69,9 x 38,1 mm). Supply voltage range 10-60 VDC, black wire available.
AAA629AG6	Switch, Optical Slot, Normally Closed, 2.25 in. x 2.75 in. x 1.5 in. (57,2 x 69,9 x 38,1 mm). Includes 24-in. cable with three usable wires. Black wire looped and unused.

For individual replacement after initial upgrade.



**A\*A7630AA Reader Box**



**AAA629AG5**



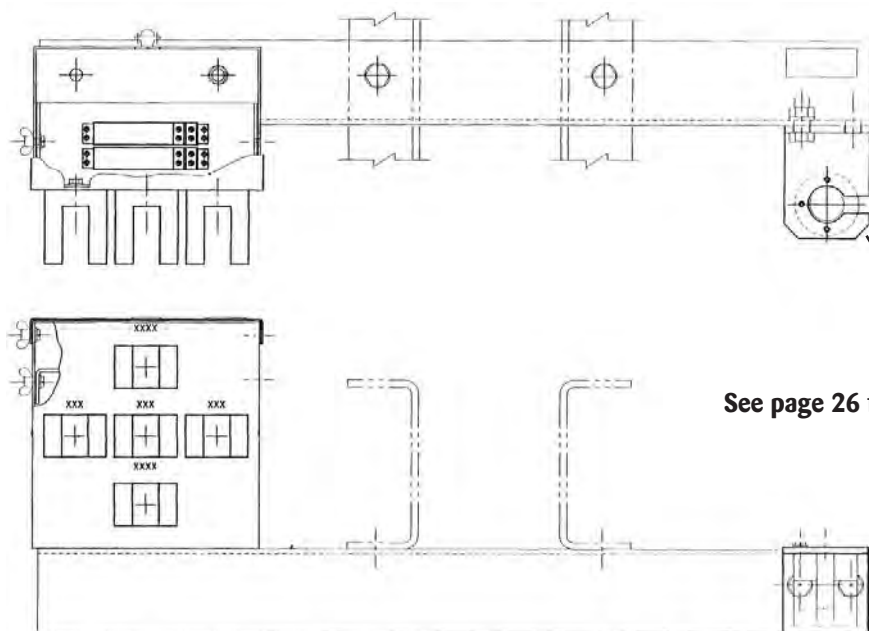
**AAA629AG6**



# Selectors & Top-of-Car Readers

## 7630H Vane Reader for MRQ, E311-VF Applications

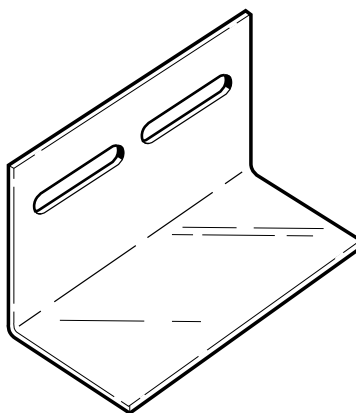
Part No.	Description
AAA629AG5	Switch, Optical Slot, 2.25 in. x 2.75 in. x 1.5 in. (57,2 x 69,9 x 38,1 mm). Supply voltage range 10-60 VDC, black wire available, normally open.
AAA27076AU2	Switch Kit, with Mounting Equipment Uses AAA629AG5 optical slot switch. To upgrade from original switch JO629W3.
YYJO327DY1	Vane, 2 in. x 2.25 in. x 4.75 in. long (50,8 x 57,2 x 120,7 mm)
YYJO327DY4	Vane, 2 in. x 2.25 in. x 6 in. long (50,8 x 57,2 x 152,4 mm)



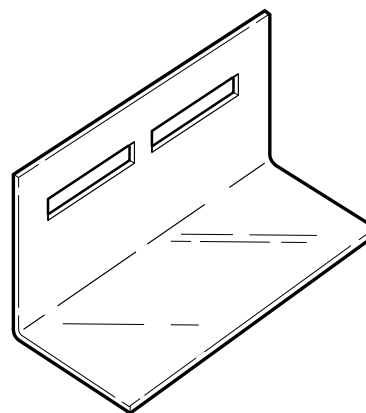
**7630H Reader Box**



**AAA629AG5**



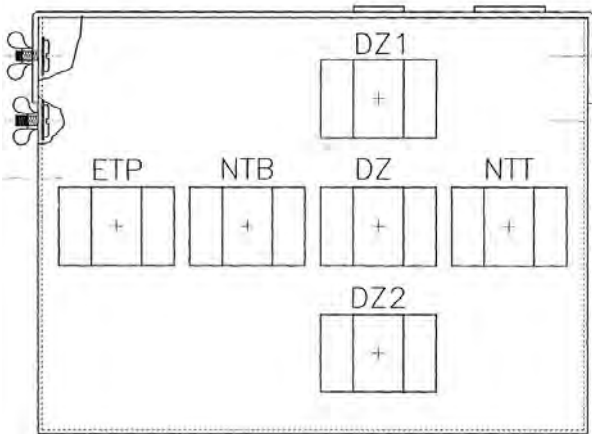
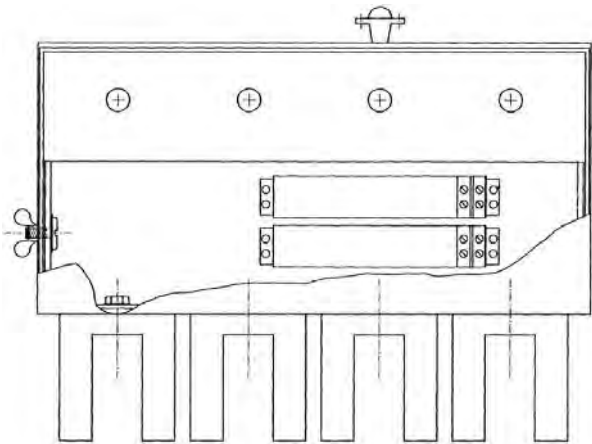
**YYJO327DY1**



**YYJO327DY4**

**A\*A7630Z Vane Reader for HVS and Gen2® Applications**

Part No.	Description
AAA27076AU1	Switch Kit, with Mounting Equipment Uses AAA629AG5 optical slot switch. For upgrading from original switch JO629W3.



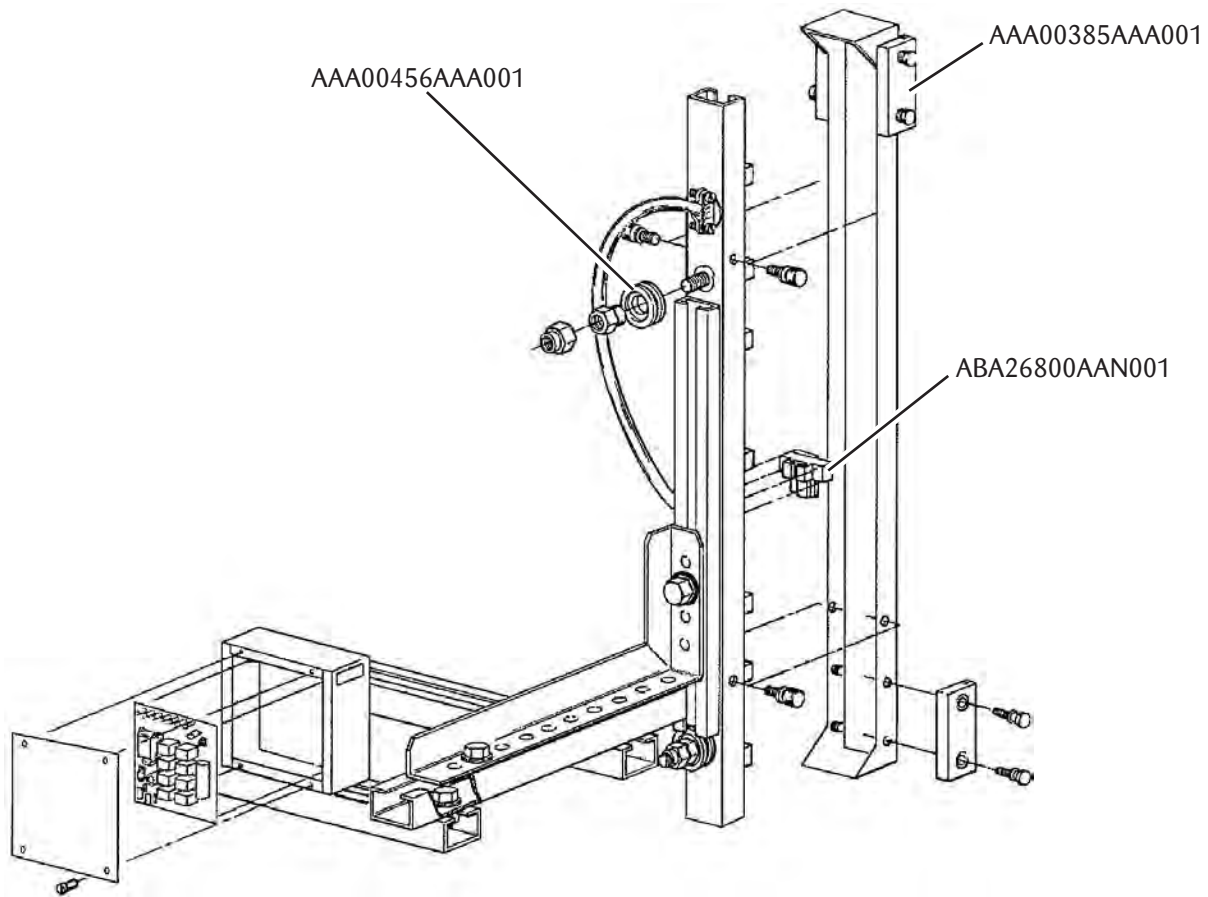
**A\*A7630Z Reader Box**

**Selectors &  
Top-of-Car Readers**

# Selectors & Top-of-Car Readers

## AAA22439AAA Tape Reader for Various Applications

Part No.	Description
AAA00385AAA001	Guide, Tape. 3.5 in. L, 1.25 in. W, 0.3 in. Thick. 4 required per floating tape reader assembly.
AAA00456AAA001	Roller
ABA26800AAN001	Sensor

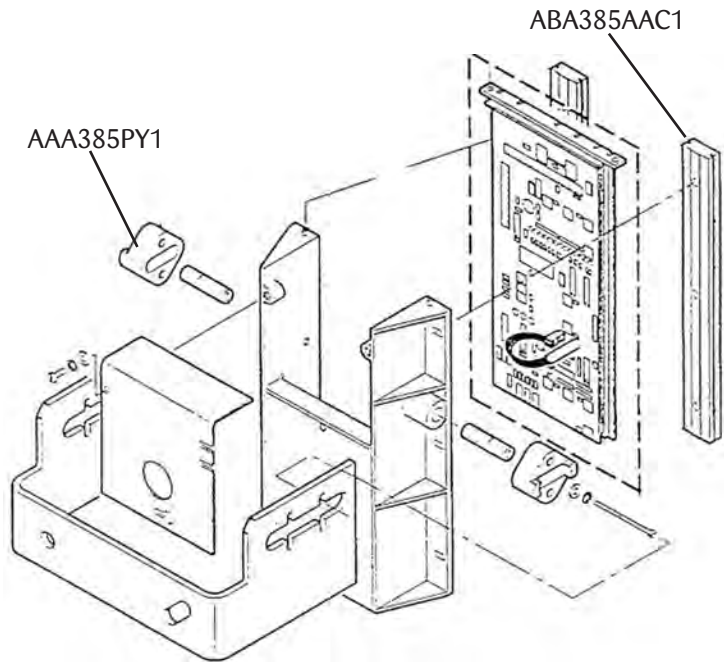
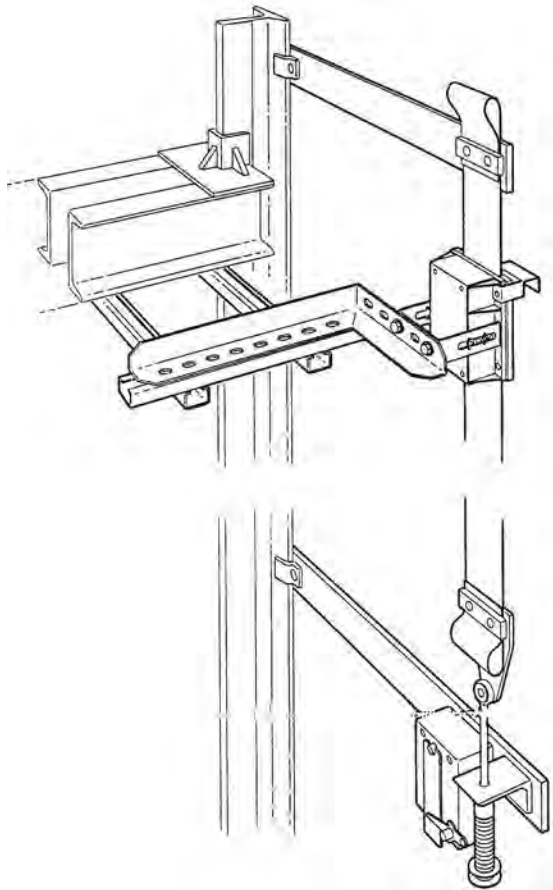


AAA22439AAA Reader Box

**TOP LEVEL APPL: ABA22439E6**

**AAA22439AAF Reader Box for 211, 211M, and 335M Applications**

Part No.	Description
AAA385PY1	Guide, Pin
ABA385AAC1	Guide, Tape, with Grooves on Both Sides, 9 in. (22,86 cm) long x 1 in. (25,4 mm) Wide
AAA608B2	Switch, Proximity, ~1.5 in. (38,1 mm) Long (Inspection Limit Sensor). Not shown in assembly.

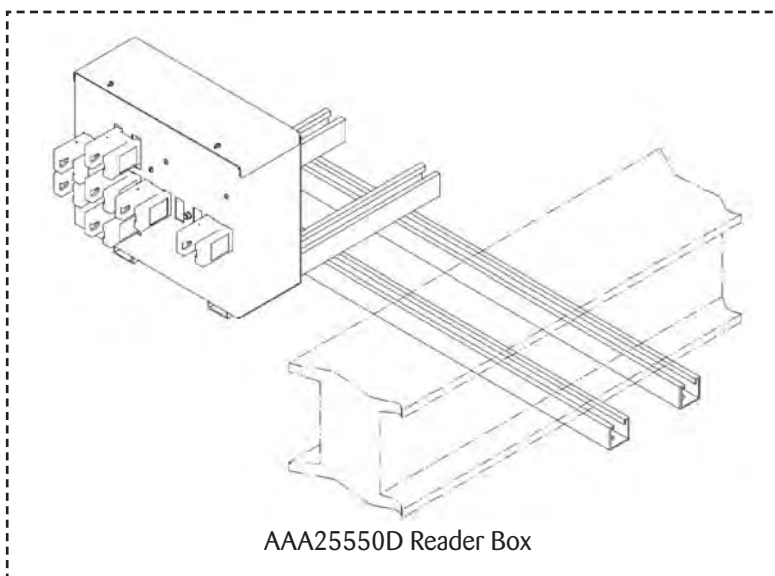


AAA608B2

# Selectors & Top-of-Car Readers

## AAA25550D Reader Box for 311M-MS and 411M-MS Applications

Part No.	Description
AAA629AG5	Switch, Optical Slot, Normally Open. 2.25 in. x 2.75 in. x 1.5 in. (57,2 x 69,9 x 38,1 mm) Supply voltage range 10-60 VDC, black wire available.
AAA27076AU1	Switch Kit, with Mounting Equipment Uses AAA629AG5 optical slot switch. For upgrading from original switch (JOA629W1).



AAA25550D Reader Box

**AAA25550Z1 thru Z4** (REPRESENTS BOX ONLY W/INDUCTIVE SWITCHES MOUNTED TO IT)



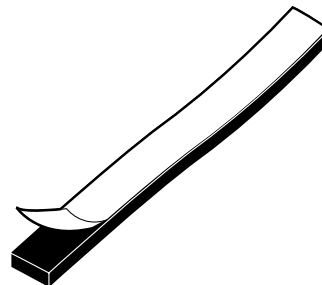
AAA629AG5

## Miscellaneous Top-of-Car Equipment

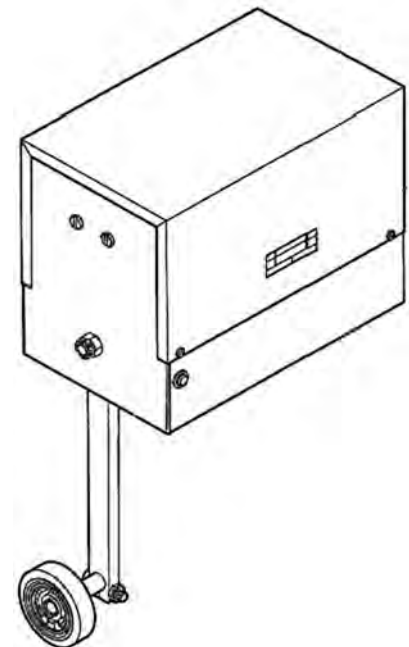
Part No.	Description
AAA311E1	Bell, 6 in. (15,24 cm), 6 VDC Replaces part number 311D2.
AAA25580M1	Light and Outlet Station
CAA233A5	Magnet Strip, North, 0.4 in. (10,2 mm) Wide x 0.125 in. (3,2 mm) Thick x 8 in. (20,32 cm) Long, w/Adhesive
CAA233A3	Magnet Strip, North, 0.4 in. (10,2 mm) Wide x 0.125 in. (3,2 mm) Thick x 72 in. (1,828 m) Long, w/Adhesive
CAA233A1	Magnet Strip, South, 0.4 in. (10,2 mm) Wide x 0.125 in. (3,2 mm) Thick x 6.5 in. (16,51 cm) Long, w/Adhesive
CAA233A2	Magnet Strip, South, 0.4 in. (10,2 mm) Wide x 0.125 in. (3,2 mm) Thick x 30 in. (76,2 cm) Long, w/Adhesive
CAA233A4	Magnet Strip, South, 0.4 in. (10,2 mm) Wide x 0.125 in. (3,2 mm) Thick x 72 in. (1,828 m) Long, w/Adhesive
AAA233J34	Magnet Strip, South, 5 in. (12,7 cm) Long, w/Adhesive
AAA233J35	Magnet Strip, South, 6 in. (15,24 cm) Long, w/Adhesive
A6072A6	Stopping Switch Assembly (Terminal Motion) Includes 16 switch arms and 16 in. (40,64 cm) lever.



AAA25580M1

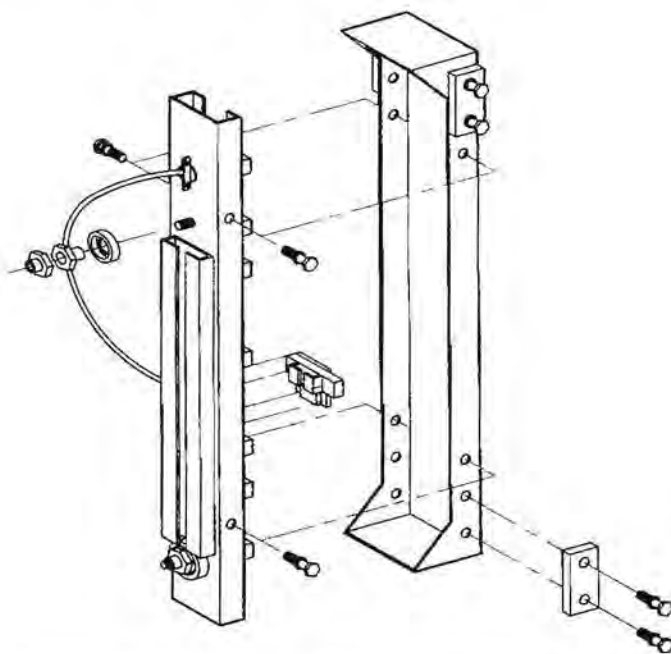


CAA233A1 w/Groove  
CAA233A2 w/Groove  
CAA233A4 w/Groove  
CAA233A5  
AAA233J34  
AAA233J35



A6072A6

## Floating Tape Car Position Device



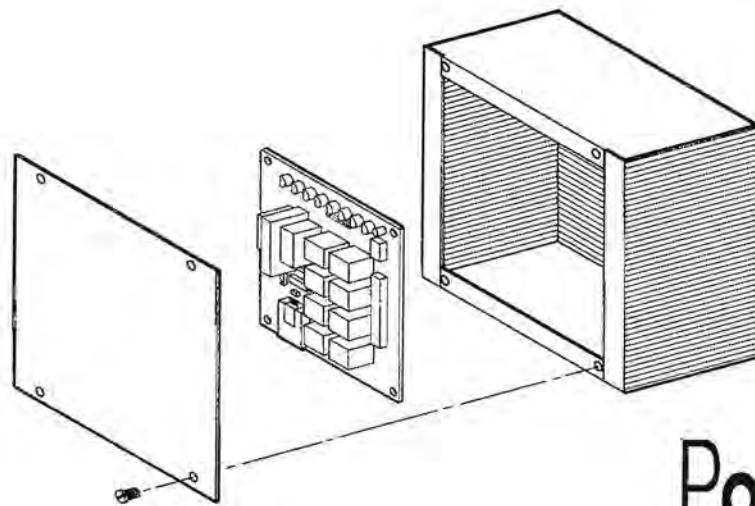
Position  
readers

### Part No.

### Descriptions

<b>ABA22439AAC001</b>	Magnetic tape selector. Sensorhead assembly, 401M elevator
<b>ABA22439AAC002</b>	Magnetic tape selector. Sensorhead assembly, Gamma D elevator
<b>ABA26800AAN001</b>	Magnetic tape selector. North sensor for steel tape
<b>AAA00124AAA001</b>	Magnetic tape selector. Stainless steel washer face thumbscrew, 0.688" long
<b>AAA00124AAA003</b>	Magnetic tape selector. Stainless steel washer face thumbscrew, 0.812" long
<b>AAA00081AAA001</b>	Magnetic tape selector. Stainless steel eccentric pin with 0.56" hex head across flats, 0.70" overall length
<b>AAA00385AAA001</b>	Magnetic tape selector. Tape guide, 3.5" x 1.25" x 0.3"

## Floating Tape Car Position Device



**Position**  
*readers*

Part No.	Descriptions
ADA25500AAC001	Magnetic tape selector. Control box assembly, <b>401M</b> and Gamma <b>D</b> elevators
ADA25500AAC002	Magnetic tape selector. Control box assembly, Gamma <b>D</b> elevators with access zoning
ABA25500AAC003	Magnetic tape selector. Control box assembly, <b>401</b> elevator with rear doors.
AAA375BF1	Magnetic tape selector. 125 volts, 1/2 amp fuse. 0.25" O.D., 0.52" long, Littlefuse P/N 272.500



Notes