

Controller Related Components

Table of Contents

Index To Markings & Identification	2
Coils	6
Otis LRV Printed Circuit Boards	26
Switches	
6754 type Otis Switch/Relay	27-28
6164BP type Otis Switches/Relays	29-30
6830 type Otis Switch/Relay	31-32
6744 type Otis Switch/Relay	33
E6520T type Otis Switch/Relay	34
Top of Car Inspection Control Switch Stations	35
Carbon & Non-Metallic Contact	37
Carbon Contact Holders	43
Resistors	50
Appendix	
Vintage Reverse Phase Relays (Obsolete: OLOF & 6204 type)	95
Vintage Overload Relays – Dashpot and Thermal	96

Controller Related Components: Index To Markings & Identification

Field Mechanics to examine controller data tags, looking for the following type numbers or markings

Sub-Category	Controller Identification Number or Code	Name of Otis Controller Apparatus
Contactors/Relays	10-FX6315J N-30	Overload Relay
Contactors/Relays	10-YYGO9703BC	Relay Controller (NAO)
Contactors/Relays	10-GO9752B	Controller Part Relay, Siemens, 3UA
Contactors/Relays	10-6315J	Controller Part Relay, N-301 Overload
Door Control Related	10-7782P	Door Operator, Retrofit Controller
Door Control Related	10-AAA21241N	Door Operator, QL Operator Interface Assembly LR95/211
Door Control Related	10-AAA21791B	Door Lock Monitor & Door Lock Bypass Box
Door Control Related	10-AAA24350AY	Controller HPLIM Door Operator
Door Control Related	10-AAA24350B	E411 Door Control Subsystem
Drives	10-JAA21310AAL	Skyway (A04A) OVF460 Drive (JPN, CEN, CSA)
Drives	10-KDA21310AAL	Low Cost Regenerative Drive Assembly
Drives	10-JAA21312AAC	OVF-409R, OVF-412R ReGen Drives
Drives/Traction	10-AAA21255AH	Quattro Direct Drive Cabinet
Drives/Traction	10-AAA21290AK	Variable Frequency (OVF30) Drives: 70A-210A
Drives/Traction	10-AAA21290AP	Cross-Reference for Variable Frequency (VF) Drives: 140A (pointer to 10-AAA21290AK)
Drives/Traction	10-AAA21290BA	Cross-Reference for Variable Frequency (VF) Drives: 120A (pointer to 10-AAA21290AK)
Drives/Traction	10-AAA21290BB	Cross-Reference for Variable Frequency (VF) Drives: 180A (pointer to 10-AAA21290AK)
Drives/Traction	10-AAA21290BJ	Cross-Reference for Variable Frequency (VF) Drives: 90A (pointer to 10-AAA21290AK)
Drives/Traction	10-AAA21290BM	Cross-Reference for Variable Frequency (VF) Drives: 210A (pointer to 10-AAA21290AK)
Drives/Traction	10-AAA21290M	Cross-Reference for Variable Frequency (VF) Drives: 120A (pointer to 10-AAA21290AK)
Drives/Traction	10-AAA21290Y	Cross-Reference for Variable Frequency (VF) Drives: 90A (pointer to 10-AAA21290AK)
Drives/Traction	10-AAA21305CG	Elevonic R-Series DSD-412 Drive Cabinet
Drives/Traction	10-AAA21305DD	NSAA Global Control System 120A CR Drive
Escalator	10-ASA03C357	OCE521 Escalator Main Controller
Escalator	10-ASA03C358	OCE521 Escalator Auxiliary Controller
Escalator	10-YX9707R	Controller, Microprocessor Escalator 506SL Power Cabinet 2
Escalator	10-YX9707S	Controller, Microprocessor Escalator 506SL Control Cabinet
Escalator	10-BAA26200AB	Escal-Aire® Model Escalator UB - SL Controller
Escalator	10-GAA26200BA	NextStep Escalator Control System EN115 and ANSI
Escalator	10-DAA26200R	Link ANSI Escalator Control System
Escalator	10-G..26201M	Escalator Controller Lifting Device
Escalator	10-GAA26400B	Controller M.P. (ECS) Trav-O-Lator / Escalator NCT/NPE/NPE-2/NCE/NCE-B/NCE-NAO
Escalator	10-G..26204F	Escalator 506 NCE, Region: NAA, Junction Box
Escalator	10-GAA26220BX	Escalator/Trav-O-Lator Inspection Device
Escalator	10-GAA26404A	Escalator 506NCE/513NPE Trav-O-Lator 606NCT Junction Box

Controller Related Components: Index To Markings & Identification

Field Mechanics to examine controller data tags, looking for the following type numbers or markings

Sub-Category	Controller Identification Number or Code	Name of Otis Controller Apparatus
Escalator	10-GAA27000A	Escalator/Trav-O-Lator Controller Part Diagnostic Tool/Code: NAA
Escalator	10-GAA26200T	Controller M.P. Escalator NCE
Hydraulic	10-A7145AH	Controller Part Hydraulic Hall Button Interface
Hydraulic	10-7900AG	Hydraulic Elevators: Micro Computer Controllers
Hydraulic	10-7900AT	LRV5 and LRV5L Controller
Hydraulic	10-7900BB	Microcomputer Controller LRV4, LRV4L, LRVH (Front Doors Only)
Hydraulic	10-7900BC	Micro Computer Controller LRV5, LRV5L, LRVH (Front and Rear Doors Only)
Hydraulic	10-7900BD	Micro Computer Controller (system = 200-240 V & >30HP)
Hydraulic	10-AAA21040B	Controller, Microprocessor Hydraulic 2H, 3H
Hydraulic	10-AAA21040C	Hydraulic Controller 4H = >30HP, 240 V
Hydraulic	10-AAA21040D	LRV5L, LHML2ST Controller
Hydraulic	10-AAA21241A	211M Hydraulic Controller
Hydraulic	10-AAA21241E	211M Starter Panel
Hydraulic	10-AAA21241K	Hydraulic Controller Microprocessor 211 (LR95)
Hydraulic	10-AAA21241U	Controller, Hydraulic, Microprocessor Phase II (Unified Mod or NEB)
Hydraulic	C-3074	A7900A LRS Controllers
Miscellaneous	10-AAA7900BH	Aut-O-Safe Return Unit
Miscellaneous	10-A9701KH	Escalator/Trav-O-Lator® Controller Part, Miscellaneous: Inspection Device
Miscellaneous	10-AAA21305B	Electronic Touchbutton Interface Box
Miscellaneous	10-9693AP	Controller Part Miscellaneous (EMS)
Miscellaneous	10-GAA21151	Motion VF OVF10, DBSS & Stand Alone Controller
Passenger Interface	10-AAA21795A	Card Reader Interface Box
Passenger Interface	10-AAA21795B	Card Reader Interface Box
Passenger Interface	10-AAA25300AA	NGH Passenger Interface Compass 24-Port Pit Box
Passenger Interface	10-AAA25300AK	Compass Controller NGH Passenger Interface
Passenger Interface	10-AAB25300S	NGH Passenger Interface Compass 4-Port Pit Box
Passenger Interface	10-AAB25300V	Compass Controller NGH Passenger Interface
Passenger Interface	10-AAA25300Y	NGH Passenger Interface Compass Redirector
Ripple Filter/Transformer	10-8102G	Ripple Filter Elevonic
Ripple Filter/Transformer	10-AAA8102J	Power Transformer for E411 MHS 0-115 & 116-175 KVA
Ripple Filter/Transformer	10-AAA21799B	Power Transformer E335MW
Ripple Filter/Transformer	10-AAA21799C	Controller Part Ripple Filter, E335MW
Ripple Filter/Transformer	10-AAA21799E	Ripple Filter E411M-MS
Ripple Filter/Transformer	10-AAA21799G	Transformer Enclosure Assembly
Ripple Filter/Transformer	10-AAA21799H	TRL Transformer (Enclosure Assembly) for Non-Regenerative Drives

Controller Related Components: Index To Markings & Identification

Field Mechanics to examine controller data tags, looking for the following type numbers or markings

Sub-Category	Controller Identification Number or Code	Name of Otis Controller Apparatus
Ripple Filter/Transformer	10-ADA21305BR	Global Control System: Transformer Box
Ripple Filter/Transformer	10-AAA21799L	Transformer Cabinet
Ripple Filter/Transformer	10-AAA21799M	Transformer Cabinet
Starter	10-6991F	Elevonic 101/401 Ward-Leonard Starter
TOP OF CAR CONTROL	10-6072A	TERMINAL MOTION STOPPING SWITCH
TOP OF CAR CONTROL	10-7003AL	Controller Part Inspection Box / Emergency Stop Box
TOP OF CAR CONTROL	10-7003BE	Controller Part Inspection Box / Emergency Stop Box
TOP OF CAR CONTROL	10-C7003R	Emergency Power Supply and Light Fixture
Traction	10-T..21235B	Controller M.P. Geared MCS 220
Traction	10-HT203100-1	Elevonic 401 Car Controller Ward Leonard Direct Drive
Traction	10-7412A	MRS Motion Controller
Traction	10-B7415A	MRVF Battery Box (Superseded by C-3035)
Traction	10-7417C	Controller, MRQ
Traction	10-7900AH	Controller, Microprocessor Group Modernization
Traction	10-8102A	Controller, Relay Geared; 10U, 21U, 30U
Traction	10-8102F	65U, 73, and 81U UMV Controllers
Traction	10-9708AL	Motion Gamma 160S Miscellaneous Parts
Traction	10-9708BJ	Motion, Misc. Parts Power Pack Gamma D
Traction	10-9708BM	Motion PC Boards Gamma D
Traction	10-AAA21189A	Elevonic Modular Overlay Controller (EMO)
Traction	10-AAA21250AF	Controller: E311MV/E411MV (pointer to 10-AAA21250C)
Traction	10-AAA21250C	Controllers: E311M/E411M and E311MV/E411MV (Direct Drive & Ward-Leonard Controls)
Traction	10-AAA21255AB	Controller: E411MC
Traction	10-AAA21255AF	E411 Chameleon Direct Drive Cabinet
Traction	10-AAA21255C	Controller Models: E335M & E335MW
Traction	10-AAA21255J	Power Control Module, Direct Drive
Traction	10-AAA21255V	Controller, Elevonic E411M-MS
Traction	10-AAA21260AAA	Elevonic 311/411 Ward-Leonard Controller
Traction	10-AAA21265AAA	Controller, Microprocessor, E311/411 Magnatek Direct Drive
Traction	10-AAA21270AAA	Gamma D Controller
Traction	10-AAA21290C	Controller, Elevonic 311VF MVS, GEM
Traction	10-AAA21290CF	Controller, LRVF
Traction	10-AAA21290R	Controller, GEM, E311VF, MVS, HVS, and GMP (Mod.)
Traction	10-AAA21305BP	UCM Adder Box for LRVF
Traction	10-AAA21305BT	Global Control System: for Modernization Controller Box

Controller Related Components: Index To Markings & Identification

Field Mechanics to examine controller data tags, looking for the following type numbers or markings

Sub-Category	Controller Identification Number or Code	Name of Otis Controller Apparatus
Traction	10-AAA21305BV	NSAA Global Control System Brake Module
Traction	10-AAA21305BX	GCS Automatic Recovery Unit (ARU)
Traction	10-AAA21305BZ	Global Control System Common Mode Filter
Traction	10-AAA21305DB	GCS Automatic Recovery Unit (ARU)
Traction	10-AAA21310AA	Controller, Modular Micro-Processor (NGGC)
Traction	10-AAA21310AF	Elevonic R-Series Global Control System
Traction	10-AAA21380AAA	Elevonic 411 Controller
Traction	10-AAA21381B	Controller, Microprocessor Gearless, ADSS Elevonic 411
Traction	10-HT201700-1	Cab Control, Elevonic 101
Traction	10-HT201700-2	Elevonic 101 Cab Control (pointer)
Traction	10-HT204400-1	Elevonic Group-Car Controller (Direct Drive, HT204400-1) (Ward Leonard, HT204500-1)
Traction	10-HT206100	Elevonic 401 Group-Car & Car Controller
Traction	C-3015A	Controller, Geared, MRV, GAMMA 160S
Traction	C-3024A	Controller, Elevonic 101/401, Group Elevonic
Traction	C-3026	Controller, Elevonic 101, Ward Leonard & Direct Drive
Traction	C-3035	7416A MRVF Motion Controller & 7415A MRVF Battery Box
Traction	C-3036	Controller, Geared, MRS Dispatch For URM Motion Controllers
Traction	C-3051	Controller, MRV
Traction	10-ABA21305BL	NSAA Global Control System Brake Module
Traction	10-ABA21305BN	Global Control System: Controller Box
Traction	10-AAA21310AD	Gearless Variable Frequency Controller NSAA Global Control System
Traction, Hydraulic	10-7155AT	Machine Room Interface Assembly
Traction, Hydraulic	10-9693AA	Controller Equipment for MCS

FIELD TECHNICIAN NOTE:

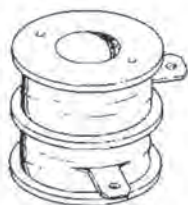
It is extremely important, when attempting to source proper replacement parts for your Otis Controller or Drive Cabinet, to obtain ALL Controller Data tag markings directly from any tags/labels that may be present on your controller. After 1988 Otis began marking its controllers with a numeral 10 code (10 standing for controllers) and then the identifying number for that particular controller design. This would be found on a label or tag either on the outside of the cabinet or perhaps inside one of the doors of the cabinet. This type of number is the most important marking to obtain for spare part ID.

It also makes sense at the same time to evaluate the Wiring Diagram (W/D) for the job to see if it is correct and complete. Should you desire to obtain a new WIRING DIAGRAM to replace a missing or damaged one, do provide any wiring diagram reference number as well as the Otis Sales Number when inquiring on Wiring Diagrams.

Please **DO NOT** contact OSC **without** the following information as it pertains to components within the controller:

- The actual Control System Name: (eg. LRV4, E401, Gamma-D, etc)
- Any Controller Data Tag marking (specifically looking for a 10-, then a triple letter and number series type of marking)
- The actual DESIGNATION of the component needed. The DESIGNATION as noted on the Otis Wiring Diagram.
- Any commercial markings that may be present on the device itself. (DO NOT JUST COME with this data. It is most often never enough information to properly and quickly identify the part you are searching for.)
- The Otis Sales Number for the particular Elevator or Escalator in question.

Controller Related Components: Coils

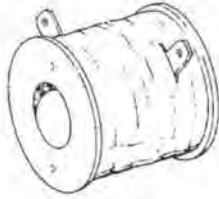


O-S Magnet Coils

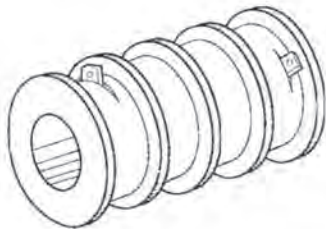
Part No.	Ohms	Descriptions
103585	0.8	#0-S magnet
103586	1.1	#0-S magnet
103587	1.2	#0-S magnet
103588	1.7	#0-S magnet
103589	1.9	#0-S magnet
103590	2.5	#0-S magnet
103591	2.1	#0-S magnet
103592	3.8	#0-S magnet
103593	4.3	#0-S magnet
103594	5.8	#0-S magnet
103595	6.5	#0-S magnet
103596	8.8	#0-S magnet
103597	9.9	#0-S magnet
103598	13.5	#0-S magnet
103599	15	#0-S magnet
103600	20.5	#0-S magnet
103601	23	#0-S magnet
103602	32	#0-S magnet
103603	35	#0-S magnet
114536	172	#0-S magnet
115491	-	#0-S magnet
135805	48	#0-S magnet
139784	66	#0-S magnet
141997	100	#0-S magnet
146121	435	#0-S magnet
147281	280	#0-S magnet
147283	640	#0-S magnet, copper
150071	90	#0-S magnet
150098	122	#0-S magnet
151171	188	#0-S magnet
157298	164	#0-S magnet
157302	60	#0-S magnet
185696	-	#0-S magnet, 7" leads

Spool = 1-7/8" O.D., 13/16" I.D., 1-3/4" overall length

Controller Related Components: Coils



#1-L Magnet Coil



**#1-L Magnet Coil
(Double wound)**

Part No.	Ohms	Descriptions
147284	152	#1-L magnet, copper
180870	483	#1-L magnet
183978	-	#1-L magnet
118193	-	#1-1/2 L magnet
136272	113	#1-1/2 L magnet
137907	160	#1-1/2 L magnet
141417	364	#1-1/2 L magnet
154398	189	#1-1/2 L magnet
178748	735	#1-1/2 L magnet
148710	18.3	#1-L magnet, copper, double wound, 2-1/4" O.D., 4.281" L
148728	210	#1-L Magnet, copper, double wound, 2-1/4" O.D., 4.281" L
169486	62/15.9	#1-L magnet, double wound, 2-1/4" O.D., 4.281" long
178724	117/195	#1-L-1 magnet, double wound, 2-1/4" O.D., 4.281" long
183935	-	#1-L magnet, double wound, 2-1/4" O.D., 4.281" long
135129	180	#1-L magnet, double wound, 2-1/4" O.D., 4.281" long
13464	4.2	#1-S magnet, 2-1/4" O.D., 1-1/8" I.D., 4.281 long
13466	6.3	#1-S magnet, 2-1/4" O.D., 1-1/8" I.D., 4.281" long

Spool = 2-1/4" O.D, 1.063" I.D., 4.281" overall length

Controller Related Components: Coils



#1-S Magnet Coil

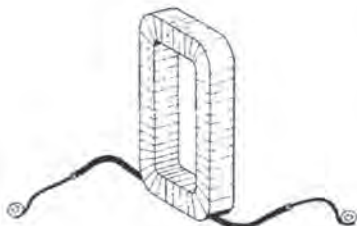
Part No.	Ohms	Descriptions
13477	79	#1-S magnet
13485	278	#1-S magnet
103582	12	#1-S magnet
122266	700	#1-S magnet
13469	10.6	#1-S magnet
13470	16	#1-S magnet
13471	18	#1-S magnet
13472	25	#1-S magnet
13473	28	#1-S magnet
13474	38	#1-S magnet
13475	52	#1-S magnet
13476	58	#1-S magnet
13478	89	#1-S magnet
13481	187	#1-S magnet
13482	208	#1-S magnet
13483	285	#1-S magnet
13484	322	#1-S magnet
136228	235	#1-S magnet, copper

Spool = 2-1/4" O.D., 1-1/8" I.D., 4.281" overall length

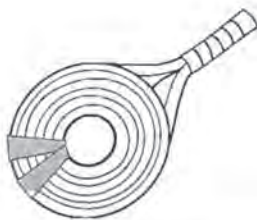
Controller Related Components: Coils



2 Magnet Coil



2 Interlock Coil



Blowout Coil

Part No.	Ohms	Descriptions
12937	-	#2-S, #2-SA magnet, spool = 3.5" O.D., 1.625" I.D., 3.25" long
12938	-	#2-S, #2-SA magnet, spool = 3.5" O.D., 1.625" I.D., 3.25" long
12939	-	#2-S, #2-SA magnet, spool = 3.5" O.D., 1.625" I.D., 3.25" long
12940	-	#2-S, #2-SA magnet, spool = 3.5" O.D., 1.625" I.D., 3.25" long
12941	-	#2-S, #2-SA magnet, spool = 3.5" O.D., 1.625" I.D., 3.25" long
12946	-	#2-S, #2-SA magnet, spool = 3.5" O.D., 1.625" I.D., 3.25" long
12947	-	#2-S, #2-SA magnet, spool = 3.5" O.D., 1.625" I.D., 3.25" long
12948	-	#2-S, #2-SA magnet, spool = 3.5" O.D., 1.625" I.D., 3.25" long
12949	-	#2-S, #2-SA magnet, spool = 3.5" O.D., 1.625" I.D., 3.25" long
147289	392	#2-A pawl magnet, spool = 11/32" O.D., 3/8" I.D., 3-19/32" long
147290	94	#2-A pawl magnet, spool = 11/32" O.D., 3/8" I.D., 3-19/32" long
125255	-	#2-S interlock, 2-17/23" long x 1" deep

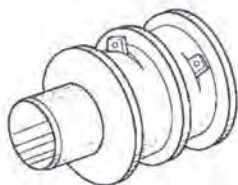
- 135837 - 1A or 1L blowout
- 125673 - Blowout for #2-S, #2-SA reversing, #2-SA fast & slow speed switches
- 115343 - Upper blowout for #2-S switch

Controller Related Components: Coils



#3-L & #5 Magnet Coil

Part No.	Ohms	Descriptions
135437	390	#3-L magnet, 2-1/8" O.D., 4.281" long
139749	84	#3-L magnet, 2-1/8" O.D., 4.281" long
159565	477	#3-L magnet, 2-1/8" O.D., 4.281" long
183841	760	#3-L magnet, 2-1/8" O.D., 4.281" long
12972	1.6	#3-S magnet, 4-7/8" O.D., 4-3/8" long
12973	1.8	#3-S magnet, 4-7/8" O.D., 4-3/8" long
12982	13.3	#3-S magnet, 4-7/8" O.D., 4-3/8" long

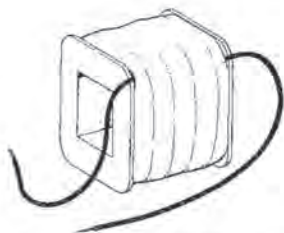


#3-L Magnet Coil (Double Wound Shown)

136224	81	#3-L magnet, front winding dimension, rear = 1510-25, 22 ohm, spool = 2-1/2" O.D 1.06" #3 I.D., 4.281" long
--------	----	---

151185	400	#3-LA-2 magnet, 2-1/8" O.D., 4.282" long
125324	-	#3-SA magnet

112005	230	W magnet
123372	-	W, & WA double wound
125000	0.06	V magnet
131550	2.7	W, WA & WA-1 magnet, copper
135127	2.2	W, WA & WA-1 magnet
136273	273	W, magnet
139722	5.6	W, WA & WA-1 magnets
141412	2.5	W, WA & WA-1 magnets

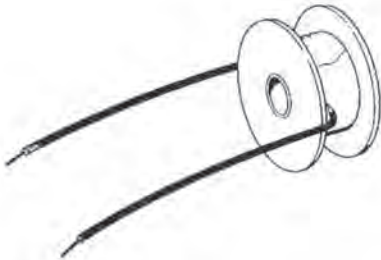


#3-SA Magnet Coil



2 Interlock Coil

Controller Related Components: Coils



20-S Reset Magnet Coil

Part No.	Ohms	Descriptions
----------	------	--------------

Spool = 51/64" Long x 13/32" I.D.

177299RESET	712	20-S reset magnet
178721	65.2	20-S reset magnet
182356	135	20-S reset magnet, copper
182357	296	20-S reset magnet, copper
182370	22.2	20-S reset magnet
182726	290	20-S reset magnet
182737	98	20-S reset magnet
183973	53	20-S reset magnet
184544	140	20-S reset magnet



20-S Latching Magnet Coil

Spool = 2-15/64" Long x 1-7/16" I.D.

177296	2760	20-S latching magnet
177297	684	20-S latching magnet
177298	51	20-S latching magnet
177299LATCH	712	20-S latching magnet
178720	470	20-S latching magnet
180713	75	20-S latching or relay magnet
182355	1265	20-S latching or relay magnet
182372	-	20-S latching or relay magnet, double wound
182724	130	20-S latching or relay magnet
182732	-	20-S latching or relay magnet
183397	298	20-S latching or relay magnet
183887	620	20-S latching or relay, double wound
183915	91	20-S latching or relay magnet
183919	-	20-S latching or relay magnet
183920	-	20-S latching or relay magnet

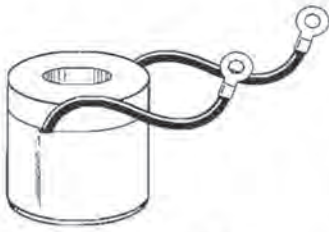
Controller Related Components: Coils



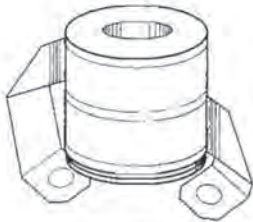
6163 Switch DC Coil

Part No.	Ohms	Descriptions
222F2	3.17	1-15/16" O.D., 27/32" I.D., 2-3/64" long, (2) leads, connected across the line
222F4	8.35	1-15/16" O.D., 27/32" I.D., 2-3/64" long, (2) leads, connected across the line
222F5	13.29	1-15/16" O.D., 27/32" I.D., 2-3/64" long, (2) leads, connected across the line
222F8	51.35	1-15/16" O.D., 27/32" I.D., 2-3/64" long, (2) leads, connected across the line
222F9	79.8	1-15/16" O.D., 27/32" I.D., 2-3/64" long, (2) leads, connected across the line
222F10	119.3	1-15/16" O.D., 27/32" I.D., 2-3/64" long, (2) leads, connected across the line
222F11	196	1-15/16" O.D., 27/32" I.D., 2-3/64" long, (2) leads, connected across the line
222F12	310	1-15/16" O.D., 27/32" I.D., 2-3/64" long, (2) leads, connected across the line
222F13	476	1-15/16" O.D., 27/32" I.D., 2-3/64" long, (2) leads, connected across the line
222F14	745	1-15/16" O.D., 27/32" I.D., 2-3/64" long, (2) leads, connected across the line
222F15	1210	1-15/16" O.D., 27/32" I.D., 2-3/64" long, (2) leads, connected across the line
222F16	1882	1-15/16" O.D., 27/32" I.D., 2-3/64" long, (2) leads, connected across the line
222F17	2885	1-15/16" O.D., 27/32" I.D., 2-3/64" long, (2) leads, connected across the line
222F19	6760	1-15/16" O.D., 27/32" I.D., 2-3/64" long, (2) leads, connected across the line
222F22	85	1-15/16" O.D., 27/32" I.D., 2-3/64" long, (2) leads, connected across the line

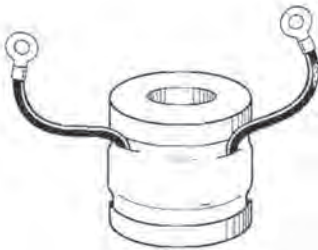
Controller Related Components: Coils



6163 Switch AC Coil



6164 AC, 222AK Coil

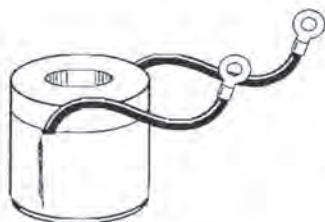


6164 AC, 222FA Coil

Part No.	Ohms	Descriptions
222G10	5.54	6163A, C, OR BA switch w/out dashpot
222G15	21.2	6163A, C, OR BA switch w/out dashpot
222G16	24.9	6163A, C, OR BA switch w/out dashpot
222G17	34.5	6163A, C, OR BA switch w/out dashpot
222G18	41.6	6163A, C, OR BA switch w/out dashpot
222G19	55	6163A, C, OR BA switch w/out dashpot
222G20	65.2	6163A, C, OR BA switch w/out dashpot
222G21	86	6163A, C, OR BA switch w/out dashpot
222G22	100.4	6163A, C, OR BA switch w/out dashpot
222G24	160	6163A, C, OR BA switch w/out dashpot
222G25	214	6163A, C, OR BA switch w/out dashpot
222G26	252	6163A, C, OR BA switch w/out dashpot
222G27	336	6163A, C, OR BA switch w/out dashpot
222G30	610	6163A, C, OR BA switch w/out dashpot
222G31	826	6163A, C, OR BA switch w/out dashpot
222AK1	0.0045	1-5/16" O.D., 1-11/16" long
222AK3	0.0172	1-5/16" O.D., 1-11/16" long
222AK4	0.0118	1-5/16" O.D., 1-11/16" long

222FA1	0.0545	1-5/16" O.D., 9/16" I.D., 1-7/16" long, (2) leads
222FA4	0.199	1-5/16" O.D., 9/16" I.D., 1-7/16" long, (2) leads
222FA5	0.3	1-5/16" O.D., 9/16" I.D., 1-7/16" long, (2) leads

Controller Related Components: Coils

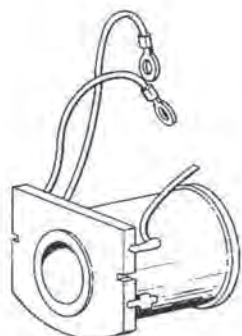


6164 AC, 222E Coil

Part No.	Ohms	Descriptions
----------	------	--------------

6164 AC Switches, Across the Line Connected, 1-5/16" O.D., 1-21/64" long, (2) Leads

222E1	0.45
222E10	3.4
222E11	4.68
222E14	8.5
222E15	11.6
222E16	13.2
222E17	18.3
222E18	21.4
222E19	29.1
222E20	34.1
222E21	46.5
222E22	54
222E23	73
222E24	83
222E25	113
222E26	129
222E27	177
222E28	204
222E29	278
222E30	320
222E31	437
222E32	500
222E33	680
222E36	1220

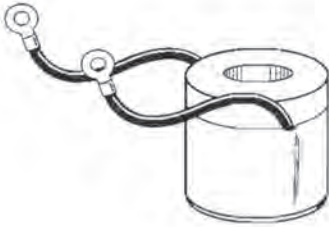


6164 DC, 222T Coils (Typical)

1-5/16" O.D., 1-21/64" long, (4) leads, double wound

222T4	260/63.5
222T5	1582/400
222T7	964/285
222T8	800/1162
222T10	332/317
222T12	214/3.45
222T17	76.5/0.34
222T18	3075/146

Controller Related Components: Coils

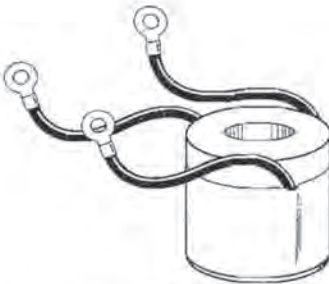


6164 DC, 222W Coils

Part No.	Ohms	Descriptions
----------	------	--------------

1-5/16 O.D., 1-7/16 long, (2) Leads

222W1	0.607
222W2	0.854
222W3	1.352
222W4	2.36
222W6	5.56
222W8	13.74
222W9	23
222W10	35.8
222W11	55.4
222W12	89.5
222W13	135.2
222W14	209.3
222W15	336.5
222W16	539
222W17	826
222W18	1329
222W19	2070
222W20	3325
222W21	5065

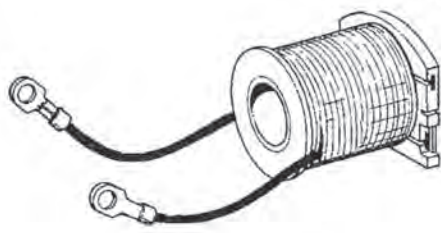


6164 DC, 222Z Coils

1-5/16 O.D., 9/16 I.D., 1-7/16 long, (3) Leads

222Z1	1328
222Z2	1450/1875
222Z3	824
222Z4	522
222Z5	2020
222Z6	1952
222Z8	1328

Controller Related Components: Coils



**6164BP 222C_Coils
(2-Lead shown)**

Part No.	Ohms	Descriptions
222CX1	3395	(3) Leads
222CX2	3402	(3) Leads
222CY1	3384	(2) Leads
222CY2	1488	(2) Leads
222CY3	213	(2) Leads
222CY4	48.7	(2) Leads
222CY5	9.3	(2) Leads
222CY6	0.144	(2) Leads
222CY7	870	(2) Leads
222CY8	2.2	(2) Leads
222CY9	116	(2) Leads
222CY10	386	(2) Leads
222CY11	1110	(2) Leads
222CZ1	1753/1649	(4) Leads, Double Wound
222CZ2	968/509	(4) Leads, Double Wound
222CZ3	3233/162	(4) Leads, Double Wound
222CZ4	1075/0.31	(4) Leads, Double Wound
222CZ5	634/821	(4) Leads, Double Wound
222CZ6	0.73/1475	(4) Leads, Double Wound

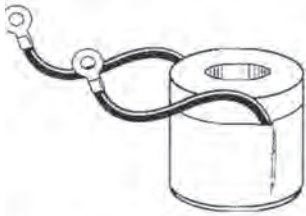


6164BP Shunt Field Coils

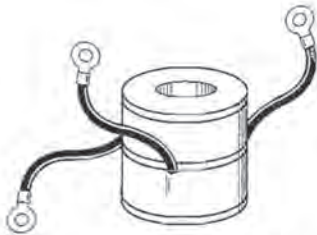
6164BP Shunt Field Relays, 1-5/16" Diameter

222DF1	0.00214
222DF2	0.00475
222DF3	0.00788
222DF4	0.0139
222DF5	0.0217
222DF6	0.0358
222DF7	0.252
222DF8	0.00318
222DF9	0.0937
222DF10	0.03204
222DF11	0.04464
222DF12	0.19012
222DF13	0.26912

Controller Related Components: Coils



6316 Coils



6744 Coils



6754 Coils



6830 Coils

Part No.	Ohms	Descriptions
222CA3	500	Magnet used for 6316C magnet switch, 3" x 1-1/2" x 15/16"
222DN1	600/1460	Magnet phenolic spool, 6744 time delay relay, 3-1/6" diameter
222EB1	1860	E6754 magnet switch, 1-3/4" O.D. 29/32" I.D., 1-27/32" long, (2) leads, operating voltage 120 VDC on E6754A & E6754B switches
222EB2	1230	E6754 magnet switch, 1-3/4" O.D., 29/32" I.D., 1-27/32" long, (2) leads, operating voltage 120 VDC on E6754C & E6754D switches
222EB3	800	E6754 magnet switch, 1-3/4" O.D., 29/32" I.D., 1-27/32" long, (2) leads
222EB4	495	E6754 magnet switch, 1-3/4" O.D., 29/32" I.D., 1-27/32" long, (2) leads
222EB5	316	E6754 magnet switch, 1-3/4" O.D., 29/32" I.D., 1-27/32" long, (2) leads
222EB6	201	E6754 magnet switch, 1-3/4" O.D., 29/32" I.D., 1-27/32" long, (2) leads, operating voltage 120 VDC on E6754Y switch
222EB7	129	E6754 magnet switch, 1-3/4" O.D., 29/32" I.D., 1-27/32" long, (2) leads, operating voltage 120 VDC on E6754Y switch
222CV1	1410	6830 magnet switch, 2.0" O.D., 1-1/32" I.D., 2-15/32" long, (2) 2" leads
222CV2	231	6830 magnet switch, 2.0" O.D., 1-1/32" I.D., 2-15/32" long, (2) 2" leads
222CV3	900	6830 magnet switch, 2.0" O.D., 1-1/32" I.D., 2-15/32" long, (2) 2" leads
222CV4	375	6830 magnet switch, 2.0" O.D., 1-1/32" I.D., 2-15/32" long, (2) 2" leads
222CV5	900	6830 magnet switch, 2.0" O.D., 1-1/32" I.D., 2-15/32" long, (2) 6" leads
222CV6	375	6830 magnet switch, 2.0" O.D., 1-1/32" I.D., 2-15/32" long, (2) 6" leads
222CV8	155	6830 magnet switch, 2.0" O.D., 1-1/32" I.D., 2-15/32" long, (2) 2" leads

Controller Related Components: Coils



7058 Definite Current Coils

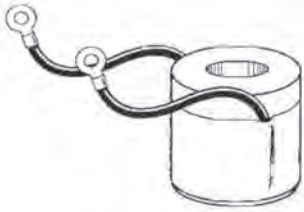
Part No.	Ohms	Descriptions
222FC1	0.237	Magnet, definite current, used for 7058 relay, 1-5/16" diameter x 3-1/4" long
222FC3	0.52	Magnet used for 7058B relays
222FC8	0.0034	Magnet, definite current, used for 7058 relay, 1-5/16" diameter x 3-1/4" long



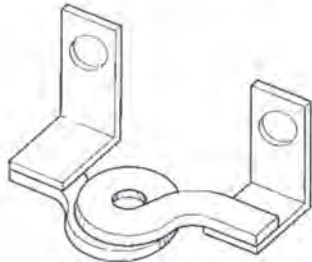
**7058 Pile-Up Relay Coils
(Double Wound shown)**

222FD2	1434/1268	7058 pile-up relay coil. 1-3/32" O.D., 1-15/16" long
222FD3	656/464	7058 pile-up relay coil. 1-3/32" O.D., 1-15/16" long
222FD4	392/2800	7058 pile-up relay coil. 1-3/32" O.D., 1-15/16" long
222FD6	1240/1640	7058 pile-up relay coil. 1-3/32" O.D., 1-15/16" long
222FD7	575/1513	7058 pile-up relay coil. 1-3/32" O.D., 1-15/16" long
222FD8	322/267	7058 pile-up relay coil. 1-3/32" O.D., 1-15/16" long
222FF1	3397	7058 pile-up relay coil. 1-3/32" O.D., 1-15/16" long
222FF2	923	7058 pile-up relay coil. 1-3/32" O.D., 1-15/16" long
222FF6	15.8	7058 pile-up relay coil. 1-3/32" O.D., 1-15/16" long
222FF7	3163	7058 pile-up relay coil. 1-3/32" O.D., 1-15/16" long
222FF8	796	7058 pile-up relay coil. 1-3/32" O.D., 1-15/16" long
222FF9	1849	7058 pile-up relay coil. 1-3/32" O.D., 1-15/16" long
222FF10	805	7058 pile-up relay coil. 1-3/32" O.D., 1-15/16" long
222FF11	194	7058 pile-up relay coil. 1-3/32" O.D., 1-15/16" long
222FF12	394	7058 pile-up relay coil. 1-3/32" O.D., 1-15/16" long
222FF13	11.5	7058 pile-up relay coil. 1-3/32" O.D., 1-15/16" long

Controller Related Components: Coils



N-301, 222AL Coils



N-301, 222AR Coils



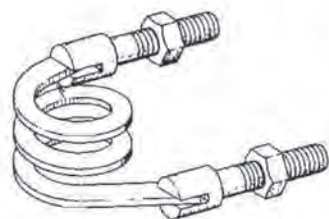
N-301, 222CG Coils



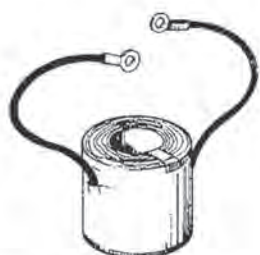
N-301, 222CH Coils

Part No.	Ohms	Descriptions
222AL3	330	Paper insulated coil, single winding, 2-7/16" diameter x 1-19/32" long, 206 - 225 volts @ 60 cycles
222AL7	980	Paper insulated coil, single winding, 2-7/16" diameter x 1-19/32" long, 200 - 209 volts @ 25 cycles (105 - 120 volts DC)
222AR1	-	Magnet, used for N-301 relay
222CG1	-	Magnet, used for N-301 relay, 7 turns 2" diameter x 1-1/2" long, terminal P/N 187T4
222CG3	-	Magnet, used for N-301 relay, 12 turns 2" Diameter x 1-1/2" long, terminal P/N 187T5
222CG4	-	Magnet, used for N-301 relay, 17 turns 2" diameter x 1-1/2" long, terminal P/N 187T6
222CG5	-	Magnet, used for N-301 relay, 7 turns 2" diameter x 1-1/2" long, terminal P/N 187T1
222CG6	-	Magnet, used for N-301 relay, 8 turns 2" diameter x 1-1/2" long, terminal P/N 187T1
222CG7	-	Magnet, used for N-301 relay, 12 turns 2" diameter x 1-1/2" long, terminal P/N 187T2
222CG8	-	Magnet, used for N-301 relay, 17 turns 2" diameter x 1-1/2" long, terminal P/N 187T3
222CH1	-	Magnet, used for N-301 relay, 25 turns 2" diameter x 1-1/2" long, cambric size No. 6
222CH2	-	Magnet, used for N-301 relay, 30 turns 2" diameter x 1-1/2" long, cambric size No. 6
222CH3	-	Magnet, used for N-301 relay, 44 turns 2" diameter x 1-1/2" long, cambric size No. 6
222CH4	-	Magnet, used for N-301 relay, 61 turns 2" diameter x 1-1/2" long, cambric size No. 7
222CH5	-	Magnet, used for N-301 relay, 77 turns 2" diameter x 1-1/2" long, cambric size No. 7
222CH6	-	Magnet, used for N-301 relay, 102 turns 2" diameter x 1-1/2" long, cambric size No. 7
222CH7	-	Magnet, used for N-301 relay, 123 turns 2" diameter x 1-1/2" long, cambric size No. 7
222CH8	-	Magnet, used for N-301 relay, 205 turns 2" diameter x 1-1/2" long, cambric size No. 7

Controller Related Components: Coils



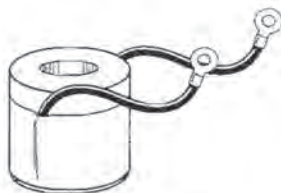
N-301, 222LA Coils



N-301, Form Wound Coils



"P" Magnet Coils



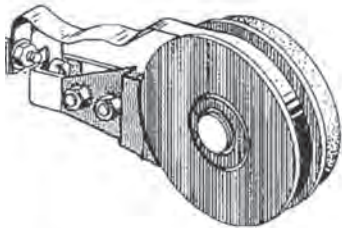
Reverse Phase Relay Coils

Part No.	Ohms	Descriptions
222LA10	-	N-301 relay, copper size 3/16" x 1/2", w/ plate & (2) studs 5 turns
222LA14	-	N-301 relay, copper size 3/16" x 1/2", w/ plate & (2) studs 4 turns
222LA16	-	N-301 relay, copper size 3/16" x 1/2", w/ plate & (2) studs 2 turns
131274	-	N-301 relay 30 turns
131275	-	N-301 relay 44 turns
117246	-	PR, PC, PG magnets
151181	39	PA, PB, PC, PL magnets,
125004	-	PB magnet, double wound
125010	1-	PB magnet

Magnet, Used for Reverse Phase Relay

222CC1	21.25	1-15.16" diameter x 1-23/32" long
222CC4	41.6	1-15.16" diameter x 1-23/32" long
222CC6	100.4	1-15.16" diameter x 1-23/32" long
222CC7	135	1-15.16" diameter x 1-23/32" long
222CC12	389	1-15.16" diameter x 1-23/32" long
222CC13	523	1-15.16" diameter x 1-23/32" long
222CC15	826	1-15.16" diameter x 1-23/32" long
222CC16	980	1-15.16" diameter x 1-23/32" long

Controller Related Components: Coils



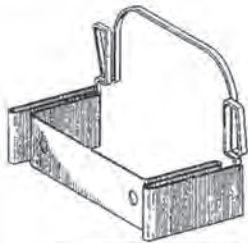
Blowout Coils

Part No.	Ohms	Descriptions
146013	-	Magnet blowout
222AB9	1.5	Blowout, used for 6520 magnet switch, as shown
222AB10	1.5	Blowout, used for 6520 magnet switch, opposite
222CK1	0.00165	Magnet blowout, used for 6744 magnet switch
222CK11	0.00177	Magnet blowout, used for 6744 magnet switch
222CK12	0.00177	Magnet blowout, used for 6744 magnet switch
A222CK11	0.00177	Magnet blowout, used for 6744 magnet switch, as shown
A222CK12	0.00177	Magnet blowout, used for 6744 magnet switch, opposite
A222DB1	0.04	6754 magnet switch, 2.0" O.D., 3/8" wide copper strip, rating = 15-19 Amps, contact side 5-6; hand: as shown
A222DB2	0.04	6754 magnet switch, 2.0" O.D., 3/8" wide copper strip, rating = 15-19 Amps, contact side 1-2; hand: opposite
A222DB3	0.03	6754 magnet switch, 2.0" O.D., 3/8" wide copper strip, rating = 20-24 Amps, contact side 5-6; hand: as shown
A222DB4	0.03	6754 magnet switch, 2.0" O.D., 3/8" wide copper strip, rating = 20-24 Amps, contact side 1-2; hand: opposite
A222DB5	0.02	6754 magnet switch, 2.0" O.D., 3/8" wide copper strip, rating = 20-24 Amps, contact side 5-6; hand: as shown
A222DB6	0.02	6754 magnet switch, 2.0" O.D., 3/8" wide copper strip, rating = 25-30 Amps, contact side 1-2; hand: opposite
A222Y1	0.03	Magnet blowout RH, used for 6163 switch
A222Y2	0.03	Magnet blowout LH, used for 6163 switch
A222Y3	0.012	Magnet blowout RH, used for 6163 switch
A222Y4	0.012	Magnet blowout LH, used for 6163 switch
A222Y5	0.02	Magnet blowout RH, used for 6163 switch
A222Y6	0.02	Magnet blowout LH, used for 6163 switch
A222Y8	0.0071	Magnet blowout LH, used for 6163 switch
A222Y9	0.0043	Magnet blowout RH, used for 6163 switch
A222Y10	0.0043	Magnet blowout LH, used for 6163 switch
A222Y11	0.0024	Magnet blowout RH, used for 6163 switch
A222Y12	0.0024	Magnet blowout LH, used for 6163 switch

Controller Related Components: Coils



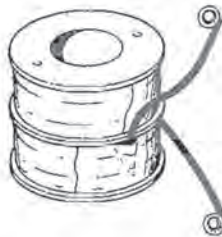
Phase Splitting Coil (138)



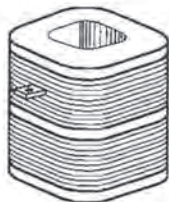
Phase Splitting Coil (143332)



Phase Splitting Coil (1464)



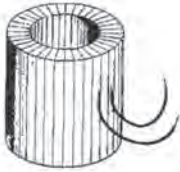
6520 Switch Coils



6744 Switch Coils

Part No.	Ohms	Descriptions
138142	-	Phase splitting, 1-1/16" wide, 2-5/16" long, used for O-D-6 switches
138858	-	Phase-splitting No. 1 type "D" AC switch, 1-7/16" x 3-1/4"
143332	-	Phase-splitting
146402	-	Phase-splitting, 25-40 cycles
146405	-	Phase-splitting, used for 1-L AC brake Magnet 6744 switches
222AF3	865	Magnet, used for 6520R switch, 4-3/8" square x 3-3/16" long
222AF4	350	Magnet, used for 6520 switch, 4-3/8" square x 3-3/16" long
222AF5	1545	Magnet, used for 6520 switch, 4-3/8" square x 3-3/16" long
222CM1	806	6744A & 6744B switches, 3-1/16" O.D., 2-23/32" long, (2) leads, 120 VDC
222CM2	204	6744A & 6744B switches, 3-1/16" O.D., 2-23/32" long, (2) leads, 120 VDC
222CM3	510	6744A & 6744B switches, 3-1/16" O.D., 2-23/32" long, (2) leads, 120 VDC

Controller Related Components: Coils

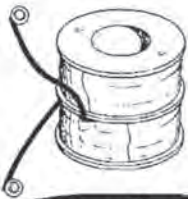


Plunger Electric Magnet Coil
(AC Control)

Part No.	Ohms	Descriptions
----------	------	--------------

SF89B1	-	Magnet coil, used for plunger electric elevators (AC control)
--------	---	---

SF89B3	-	Magnet coil, used for plunger electric elevators (rectified control)
--------	---	--



Plunger Electric Magnet Coil
(Rectifier Control)

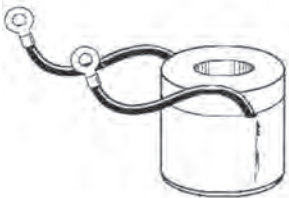
A222AA14	1020	Magnet coil, used for 6379 magnet switch
----------	------	--

222AE1	655	Magnet coil, used for 6379F magnet switch, 2-1/4" O.D., 2-29/32" long, (2) leads
--------	-----	--

222DM2	-	Coil
--------	---	------

141548	280	"EG" magnet
--------	-----	-------------

144984	350	"OD" DC magnet
--------	-----	----------------



6379 Coils

AAA234AD4	1.65H	Replacement coil for contactor 3TF46
-----------	-------	--------------------------------------

AAA234AD5	1.30H	Replacement coil for contactor 3TF48
-----------	-------	--------------------------------------



"EG" & "OD" Coils



3TF Contactor Coils

Controller Related Components: Coils



Type C Magnet Coils

Part No.	Ohms	Descriptions
142780	-	Type C-2, C-2 AC magnet
142781	-	Type C-2, C-2 AC magnet
142782	-	Type C-2, C-2 AC magnet
147252	-	Type C-2, AC magnet, for 400A three-pole copper to copper switch



**Magnet Coils
222EK, 222, 222FG**

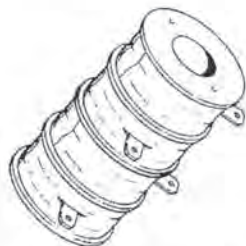
222EK1	845/900	Magnet coil, double wound
222A3	151	Magnet coil, used for 40-0-1, 40-0-2, & 40-0-3 car switches; 1" O.D., 25/64" I.D.
222FG2	404	Magnet 2-7/16" diameter x 1-19/32" long

222DS2	0.00108	Magnet 1-5/16" diameter x 1-3/8" long
222DS3	0.00151	Magnet 1-5/16" diameter x 1-3/8" long
222DS4	0.00366	Magnet 1-5/16" diameter x 1-3/8" long
222DS5	0.0054	Magnet 1-5/16" diameter x 1-3/8" long
222DS6	0.0108	Magnet 1-5/16" diameter x 1-3/8" long
222DS7	0.01573	Magnet coil



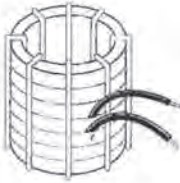
Magnet Coils 222DS

222FN1	83/22	Magnet 4 sections (I - II & III - IV), 2-1/4" diameter x 4-9/32" long, (4) terminals
--------	-------	--



Magnet Coils 222FN

Controller Related Components: Coils



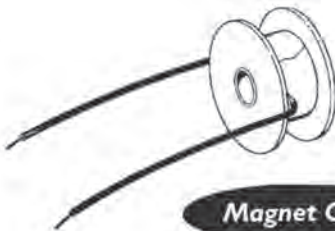
Magnet Coil 222AD



Magnet Coil 222BA



Magnet Coil 222DP, 222DR



Magnet Coils

Part No.	Ohms	Descriptions
222AD2	139	Magnet 5-1/4" long x 5-3/4" Diameter
222BA1	1,98	Magnet inner winding dimensions shown left; outer = 442-14, 1.98 ohms; 5" O.D., 5-1/4" long, (3) leads
222DP1	935/745	Magnet 1-5/8" diameter x 1-7/8" long
222DR1	640/775	Magnet, time delay closing switch, 2" diameter x 2-15/32" long
11857	-	#0-V magnet, 600 turns, 20 gauge wire
2-222EP3	-	Coil
222AG1	-	Coil
183916	-	Coil
SA-14-183-312-504	-	Magnet coil, 96V
2700ADH3	-	Coil P613BG, used for MRS relay controller
2-222EP1	-	Coil
SA-14-183-319-507	-	Magnet coil, Siemens, 125
SA-14-183-320-503	-	Magnet coil, Siemens, 125
SA-14-183-320-504	-	Magnet coil, Siemens, 250

Controller Related Components: Otis LRV Printed Circuit Boards

Part No.	Descriptions
A8121BJ1	LRS Interface Board
B8121BJ1	LRS Interface Board
A8121BC1	LRS-3 Microprocessor
B8121BC1	LRS-3 Microprocessor
C8121BC1	LRS-3 Microprocessor
D8121BC1	LRS-3 Microprocessor
E8121BC1	LRS-3 Microprocessor
F8121BC1	LRS-3 Microprocessor
A8121AY1	LRV3 Interface Board
A8121AW1	LRV3 Microprocessor
B8121AW1	LRV3 Microprocessor
A8121AX1	LRV3 Relay Board
B8121AX1	LRV3/4 Relay Board
C8121AX1	LRV3/4 Relay Board
A8121BE1	LRV4 Interface Board
B8121BE1	LRV4 Interface Board
C8121BE1	LRV4 Interface Board
D8121BE1	LRV4 Interface Board
E8121BE1	LRV4 Interface Board
A8121DB1	LRV4/4L Microprocessor
B8121DB1	LRV4/4L Microprocessor
C8121DB1	LRV4/4L Microprocessor
D8121DB1	LRV4/4L Microprocessor
E8121DB1	LRV4/4L Microprocessor
A8121AH2	PI Driver Board
A8121BA1	Power Supply
B8121BA2	Power Supply

Call OSC for the most current exchange repair or out-right buy pricing

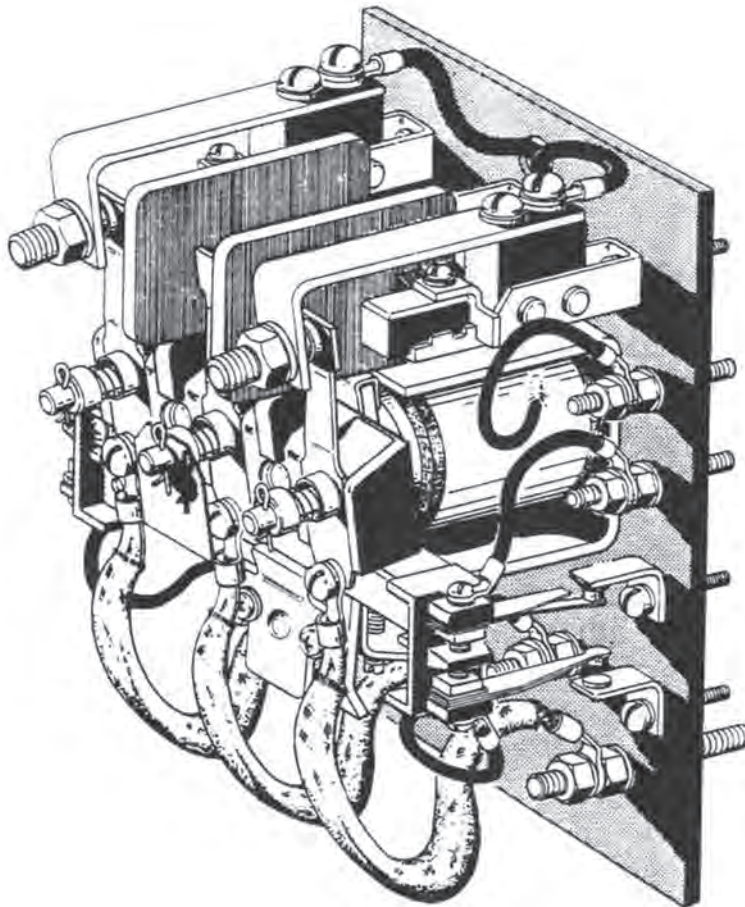
6754 Switch

Main contacts measure – 2.75" long x 1/2" wide.

Field tech to look for identification info on back side of switch panel. There should be a letter: A thru E and then 6754 and then A, B, C, D or Y. After the letter would come a 3 or 4 number series, also possibly having a letter in it. (eg. 221 or 7A21, etc). And lastly a reference to the last few digits of the part number for the coil. (eg. EB1, EB4, CD2, CD4, etc).

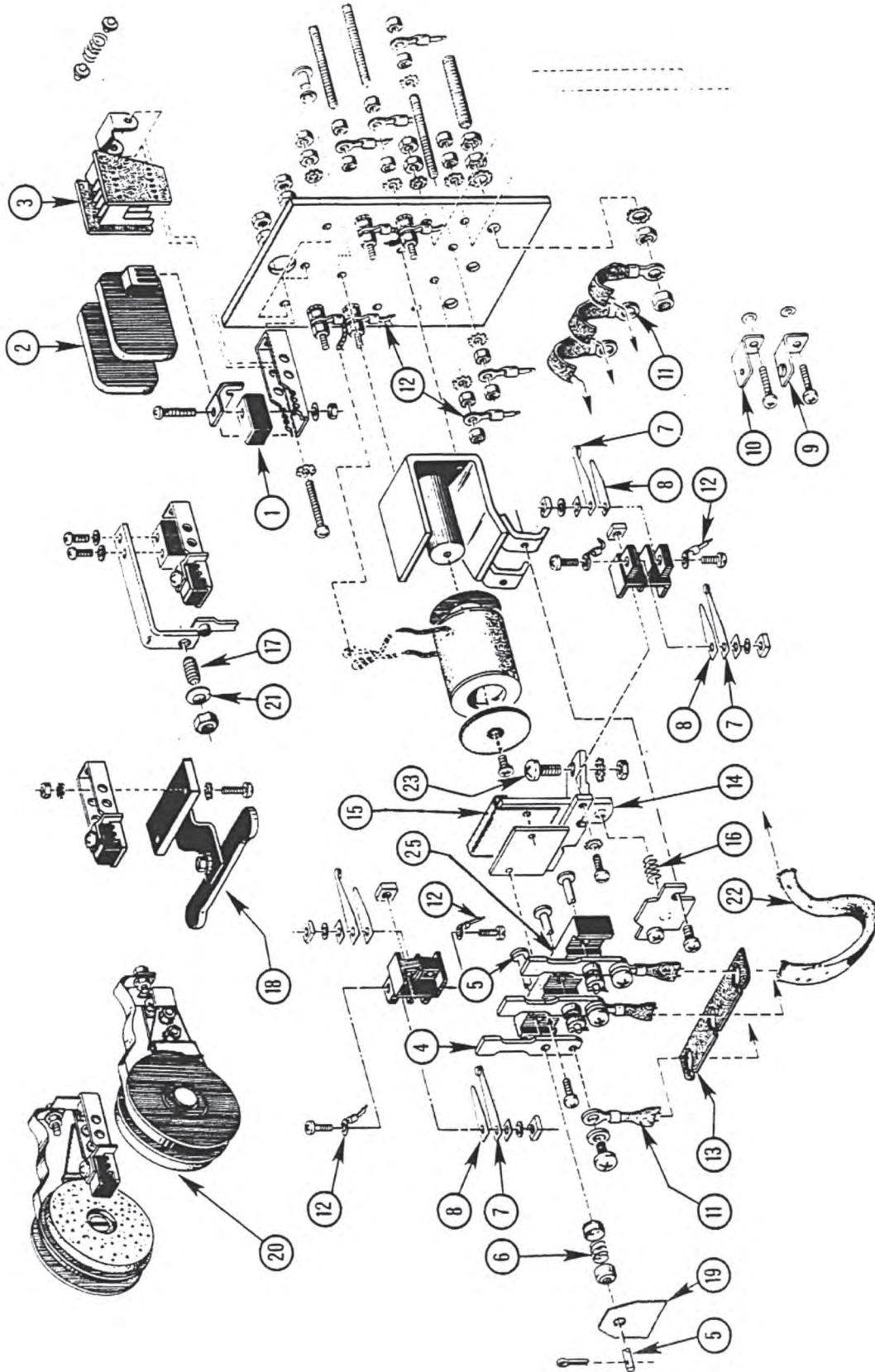
Before phoning OSC, be sure to look for coil marking directly on coil, or in that suffix. Also provide number of making and breaking main contacts and auxiliary contacts.

[example full p/n: E6754A221-EB1]



Controller Related Components: Switches

FIG. 1 6754 Switch Replacement Parts Drawing



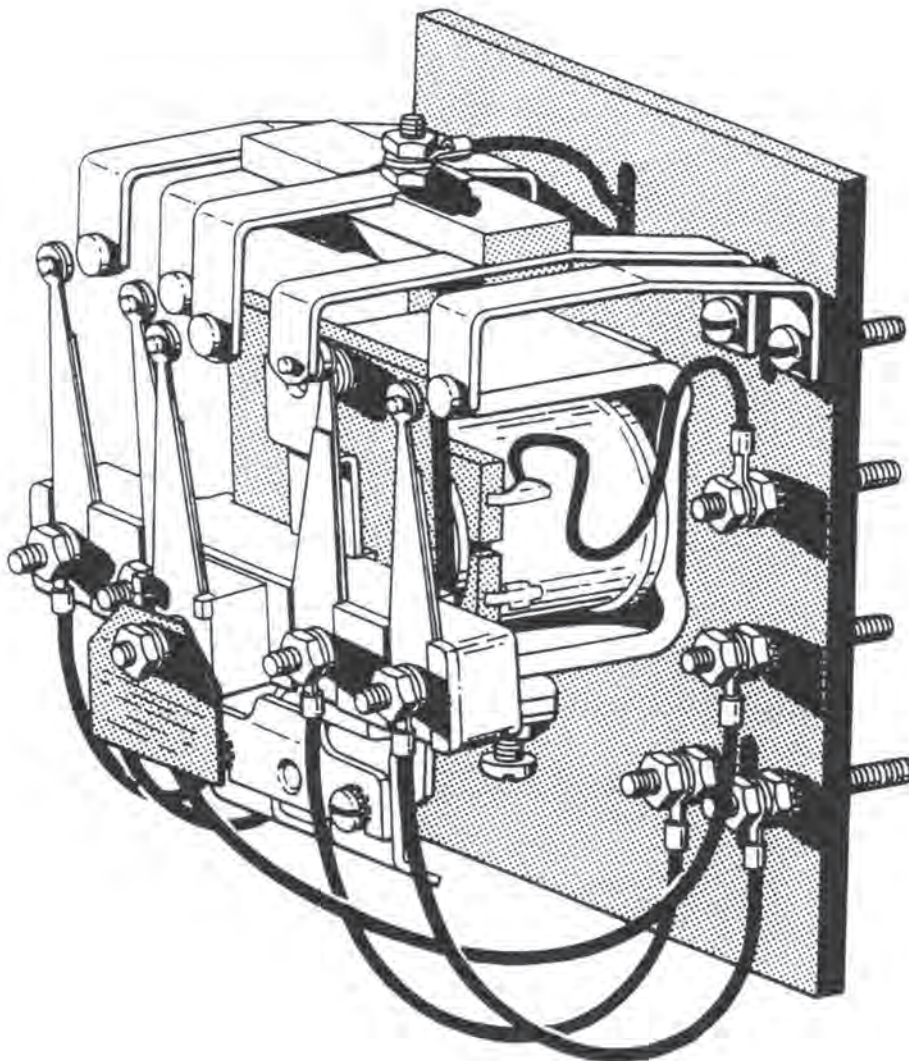
6164 BP Switch

Field tech to look for identification info on back side of switch panel.

There can possibly be no letter or the letter 'A' and then 6164BP after the letters would come a 3 number series, (eg. 141, 331, 411, etc). And lastly a reference to the last few digits of the part number for the magnet coil. (eg. Typically: CX, CY, CZ, DF) and then a numeral.

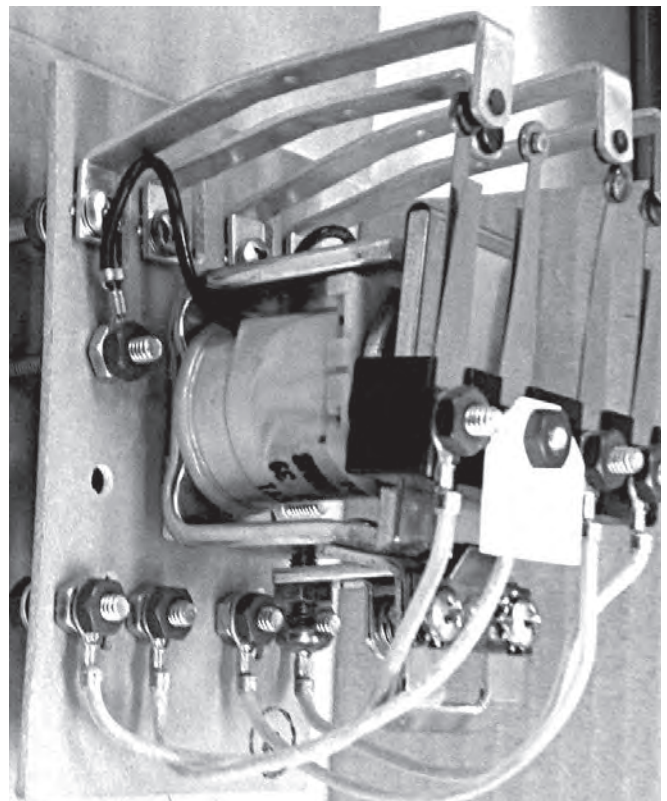
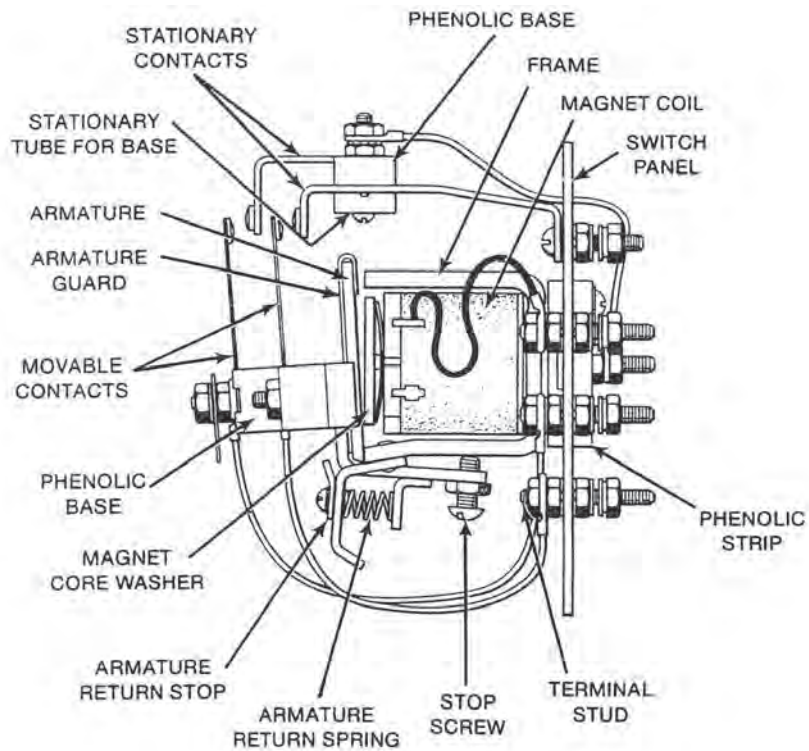
Before phoning OSC, be sure to look for coil marking directly on coil, or in that suffix. Also provide number of making and breaking main contacts

[example full p/n: A6164BP102-CY1]



Controller Related Components: Switches

FIG. 2 Typical 6164 BP DC Switch (Five Making Contacts)

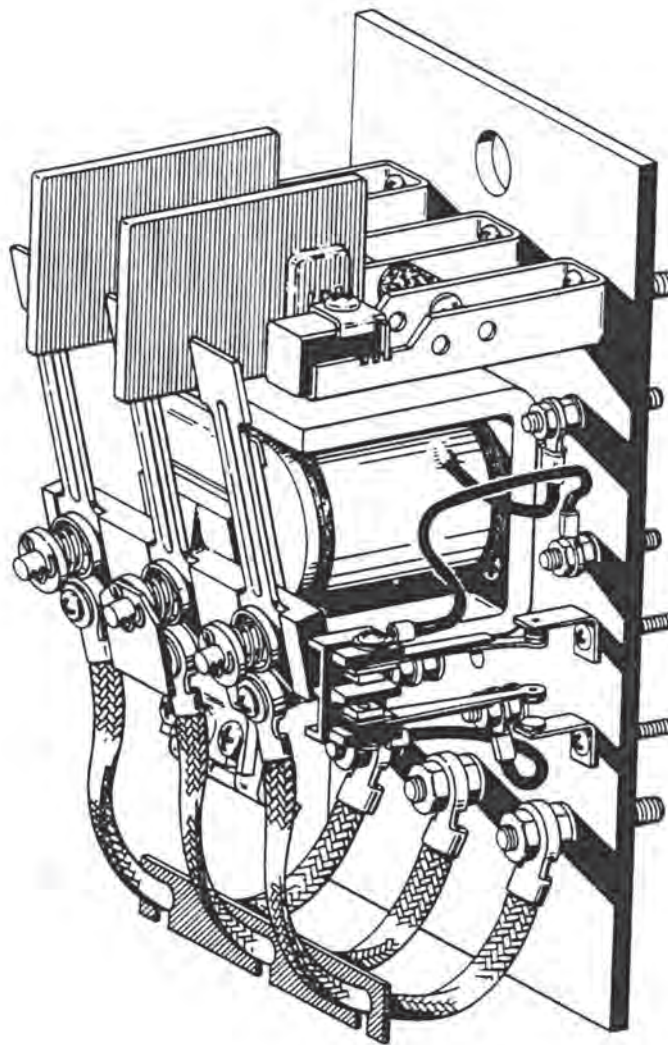


6830 Series Switch

List of common contacts for 6830A, B, C & D type switches (with prefix letters potentially from A thru E).

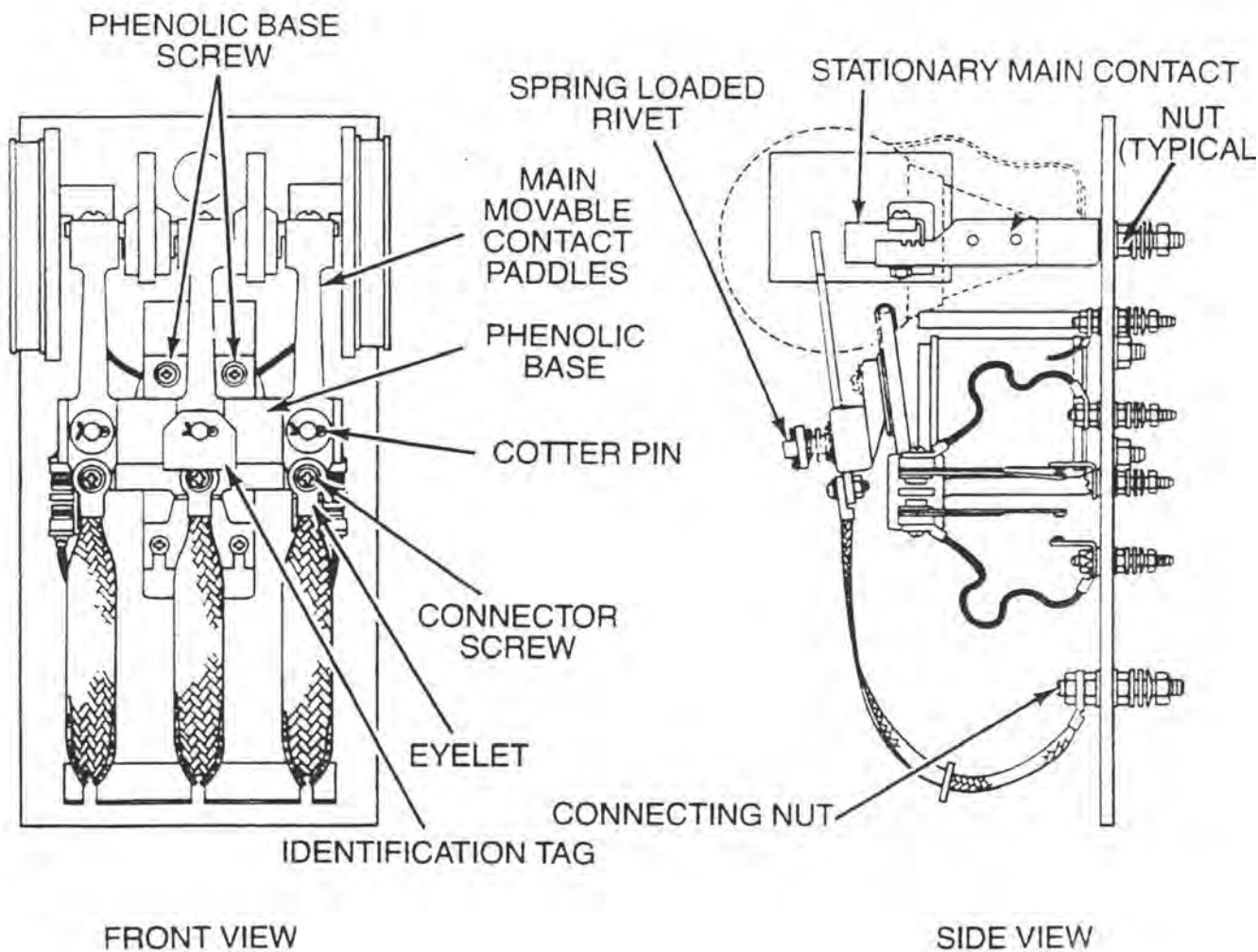
MOVABLE CONTACTS (4.12" long x 3/4" wide): (square face: 153B1, 153AG6),
(round sole: 150AK2, 150Y2)

STATIONARY CONTACTS: (square face: 154C2, 154C4), (round sole: 150AK3, A150W6)



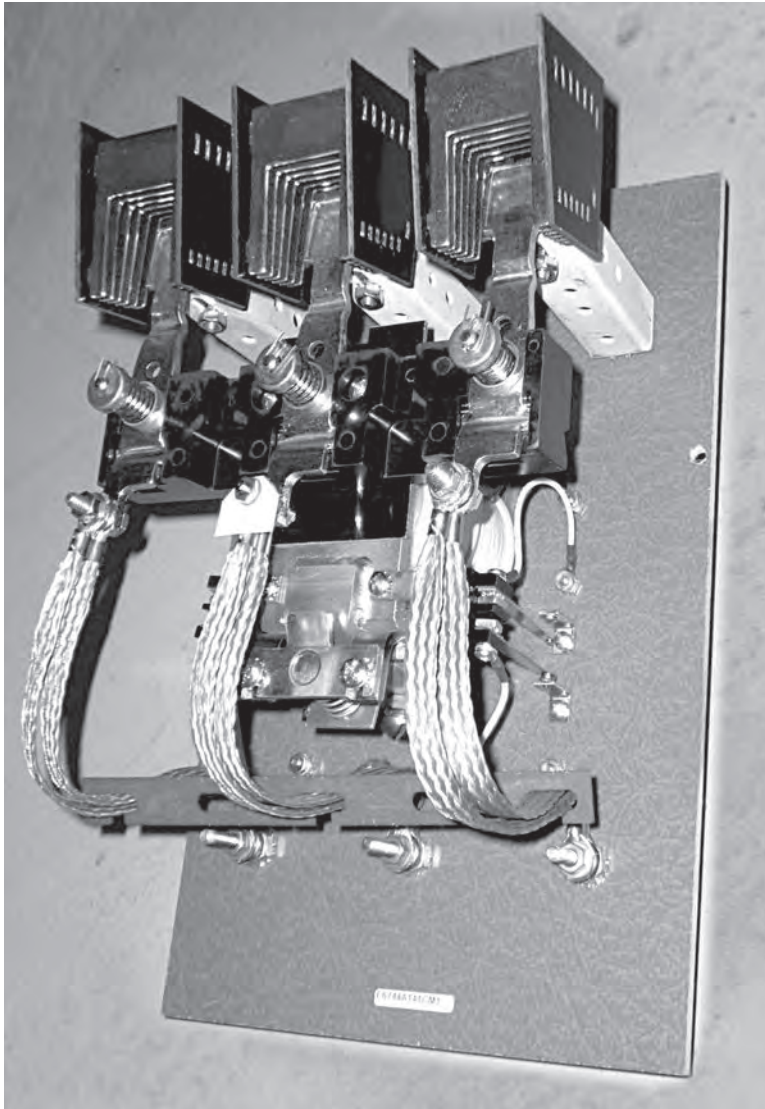
Controller Related Components: Switches

FIG. 5 6830 Series Switch - Main Contacts



E6744A type Switch

E6744A141CM1 (shown) – 5.5” x 1.12” movable contacts.

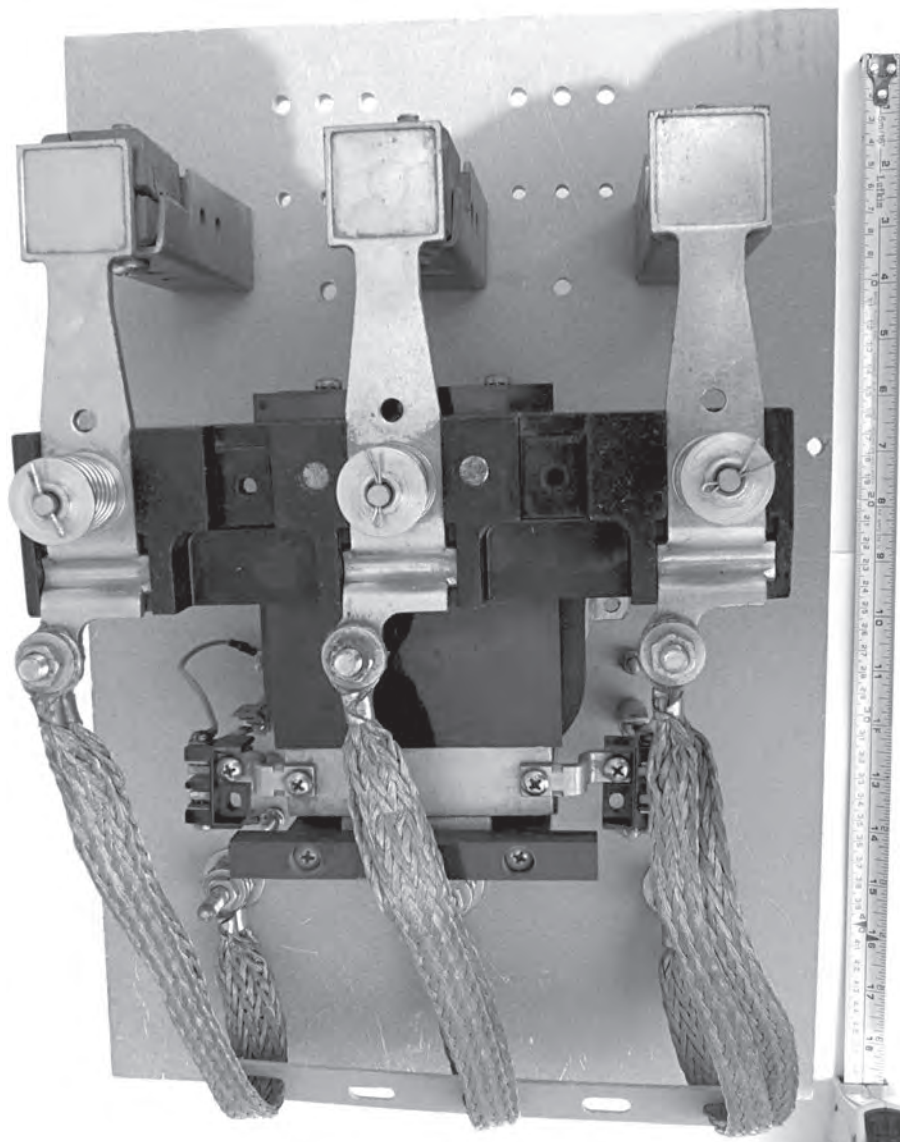


Controller Related Components: Switches

E6520T type Switch

E6520T141CM1 (shown) – 6.5” x 1.38” movable contacts.

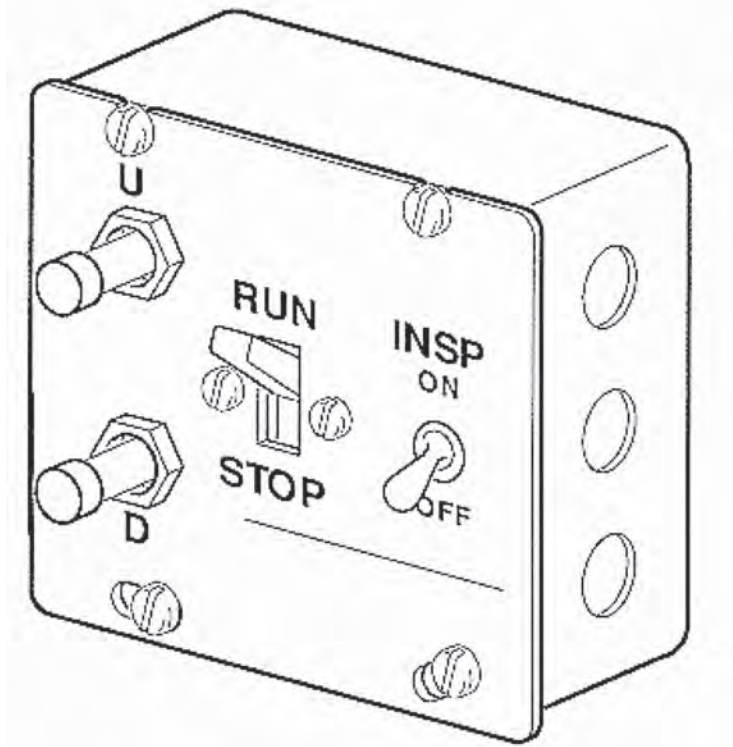
These switches are generally not available any longer as assemblies– contact OSC for spare parts).



Controller Related Components: Top of Car Inspection Control Switch Stations

7003AL type

Assembly no longer in production.
Order Spare Parts only: AAA635L3, P177BY1, 6599A7.



A7003BE4

A7003BE4 still available, but most Assemblies now obsolete. Contact OSC for Spare Parts only: AAA00177AAC001, AAA00177AAC004, AAA635L13, AAA635L5, AAA636E6, AAA636E7.



Controller Related Components: Top of Car Inspection Control Switch Stations



MBA24831A001

MBA24831A001 contemporary TOC INSPECTION device.



DAA24831L002

DAA24831L002 contemporary TOC INSPECTION device.



AAA22800H401

AAA22800H401 (car and pit Stop Switch).

Controller Related Components: Carbon & Non-metallic Contact



1097
1118
1128
1147
1158
1205



1155
112001
1149
GS1171

Part No.	O.D.	Length	Descriptions
1097	0.38"	0.50"	Contact, carbon, used for 13-O car switches, 21-O car switches, & No. 8 magnetic door locks
1118	0.50"	0.88"	Contact, carbon, used for P, PA, PB, PD, & PG magnets & O-S switches
1128	0.63"	0.75"	Contact, carbon, used for A motor operated timing devices
1147	0.75"	1.00"	Contact, carbon, used for switches, magnets, & controllers
1158	0.75"	1.63"	Contact, carbon
1205	0.38"	0.38"	Contact, carbon, used for 10-O & 11-O emergency micro switches, B overload magnets, 25-O-1 emergency release switches, & emergency operation buttons
1155	0.75"	1.38"	Contact, carbon, w/ 0.17" x 0.25" hole, used for AC reversing switches
112001	0.50"	0.63"	Contact, carbon, w/ 0.17" x 0.13" hole, used for magnets & switches
1149	0.75"	1.00"	Contact, carbon, w/ 0.17" x 0.25" hole, used for AC reversing switches
GS1171	1.00"	1.00"	Contact, w/ 0.19" hole, used for plunger electric elevators & O 1/2-V accelerating magnets

Controller Related Components: Carbon & Non-metallic Contact



1121
1176



114255
1168
1194
1195,6,7,8,
1203,4,6,7

Part No.	O.D.	Length	Descriptions
1121	0.47"	1.00"	Contact, carbon, w/ threads, used for magnets, switches, & regulators
1176	0.97"	1.50"	Contact, w/ threads, used for switches & magnets
114255	1.00"	0.75"	Contact, carbon, used for switches
1168	1.00"	1.00"	Contact, carbon, used for A hatchway limit switches, VL magnets, 3-pole reversal switches, & for EG fast & slow speed magnets, potential switches, & reversing switches
1194	1.75"	1.38"	Contact, carbon, used for switches, magnets, controllers, & escalator starters
1195	2.25"	1.38"	Contact, carbon, used for switches, Magnets, controllers, & escalator starters
1196	1.25"	0.75"	Contact, carbon, used for 2-B & 5-B brake magnets (AC)
1197	0.50"	0.50"	Contact, carbon, used for switches, magnets, AC bakes, controllers, governors, & selectors
1198	0.38"	0.56"	Contact, used for DA governor switches
1203	2.00"	1.06"	Contact, carbon, used for switches Controllers, & escalator starters
1204	0.50"	0.75"	Contact, carbon, used for switches & magnets
1206	1.75"	1.06"	Contact, carbon, used for controllers
1207	1.50"	0.75"	Contact, carbon, used for switches & controllers

Controller Related Components: Carbon & Non-metallic Contact



166747
168790
102012
GS103921
GS1144,68,73,97
GS1203,06
GS1207
GS121992
GS166972
GS168790



1660983
169941

Part No.	O.D.	Length	Descriptions
166747	1.50"	1.00"	Contact, carbon
168790	2.00"	1.19"	Contact
182012	0.63"	0.50"	Contact, used for TM, TM-1, TM-2, & TM-3 automatic stopping switches, 12-O gate locks, No. 1 slack tape switches, 6044 operator engines, & plunger electric elevators
GS-103921	0.63"	0.50"	Contact, carbon, used for switches, formerly p/n 103921
GS1144	0.75"	0.88"	Contact, carbon, used for switches & magnets
GS1168	1.00"	1.00"	Contact, carbon
GS1173	1.00"	1.19"	Contact, used for EL fast speed magnets, EL reversing switches, EL potential switches, & EG reversing switches
GS1197	0.50"	0.50"	Contact, carbon
GS1203	2.00"	1.06"	Contact, carbon
GS1206	1.75"	1.06"	Contact, carbon
GS1207	1.50"	0.75"	Contact, carbon, used for 1 1/2-AL, 2-pole reversing switches & making switches
GS121992	0.75"	0.75"	Contact, carbon, used for switches
GS166972	1.75"	1.19"	Contact, carbon
GS168790	2.00"	1.19"	Contact
166083	1.75"	0.75"	Contact, w/ shoulder
169941	1.75"	1.00"	Contact

Controller Related Components: Carbon & Non-metallic Contact



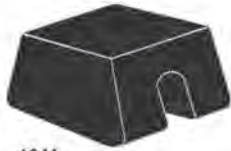
1027



154AA_
154AB_
154C_
154G_

Part No.	Width	Thickness	Descriptions
1027	1.56"	0.88"	Contact, 2.00" long
154AA2	1.00"	1.00"	Contact, carbon, w/ copper impregnation, Used for 6744A & B magnet switches, 1.22" long
154AA3	1.00"	1.00"	Contact, carbon, w/out impregnation, used for E6744 & 6744 magnet switches, formerly p/n 154AA1, 1.22" long
154AB2	0.43"	0.43"	Contact, carbon, w/ copper impregnation, used for 6754A magnet switches, 0.90" long
154AB3	0.43"	0.43"	Contact, carbon, w/out Impregnation, intermediate contact for 6744 switches & used for 6754 A6754, B6754, C6754, & E6754 magnet switches, formerly p/n154AB1, 0.90" long
154C2	0.62"	0.62"	Contact, carbon, w/ copper impregnation, used for 6163 & 6830 switches & for brake linings & rivets, 1.00" long
154C3	0.62"	0.62"	Contact, carbon, w/out impregnation, intermediate contact for 6520 switches & used for 6163, 6830, & E6830 magnet switches, formerly p/n 154C1, 1.00" long
154G4	1.25"	1.25"	Contact, carbon, w/ copper impregnation, used for 6520 magnet switches, 1.50" long
154G5	1.25"	1.25"	Contact, carbon, w/ out impregnation, used for 6520 magnet switches, formerly p/n 154G1, 1.50" long

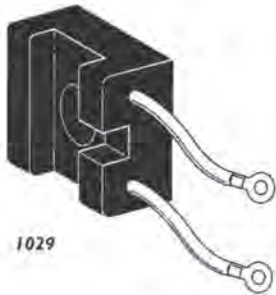
Controller Related Components: Carbon & Non-metallic Contact



1046
1072



1042
1073
1077, 88
GS1073, 88
GS137726



1029



154E1
A154B1

Part No.	Width	Thickness	Descriptions
----------	-------	-----------	--------------

1046	1.00"	0.75"	Contact, carbon, used for stop motion, pilot, & mechanical reversing switches, 1.25" long
1072	1.50"	1.00"	Contact, carbon, used for stop motion, mechanical reversing, & mechanical accelerator switches, 2.00" long
1042	1.25"	0.75"	Contact, carbon, used for magnets & controllers, 1.25" long
1073	1.50"	1.00"	Contact, carbon, used for switches & controllers, 2.00" long
1077	2.00"	1.00"	Contact, carbon, used for switches & controllers, 2.00" long
1088	2.00"	1.00"	Contact, carbon, used for switches & controllers, 2.50" long
137726	1.13"	1.00"	Contact, carbon, used for C-1-200, C-1-400, C-2-200, & C-2-400 AC & DC switches, 2.00" long
GS1073	1.50"	1.00"	Contact, 2.00" long
GS1088	2.00"	1.00"	Contact, used for MFL-4C, MFH-4C, 7-FAL, 7-FAH, TMH-5, 4-MS, 6-FA, & FH-4 controllers, 2.50" long
GS137726	1.13"	1.00"	Contact, 2.00" long
1029	1.00"	0.63"	Contact, w/ (2) connections, used for 2-DA rheostats & 2-E controllers, 1.13" long
154E1	1.63"	0.81"	Contact, used for 6408 car operating panels, 2.25" long
A154B1	1.50"	0.38"	Contact, carbon, used for B6070C & C6070C car operating panels & 6070 car switches, 1.63" long

Controller Related Components: Carbon & Non-metallic Contact



140759



154F1



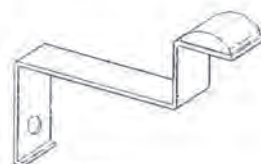
1202



151A



154AD3



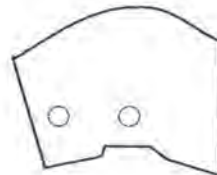
AYYJ0152J2

Part No.	O.D.	Length	Width	Thickness	Descriptions
140759	-	3.19"	0.63"	0.81"	Contact, used for 11-O & 13-O car switches
154F1	-	2.25"	0.44"	0.63"	Contact, used for 6414 car operating panels
181889	-	0.94"	0.25"	0.25"	Contact, silver-carbon alloy
156B1	-	0.63"	0.25"	0.25"	Contact, metallized carbon, short brush, w/ tapped hole
154Z1	-	1.06"	0.50"	0.31"	Contact, carbon
1202	-	5.88"	1.50"	-	Contact, used for OAA-4 accelerating magnets
151A2	0.25"	-	-	0.06"	Contact, assembly of 93A1 spring & 151A contact, used for 6379 magnet switches
151A3	0.25"	-	-	0.06"	Contact, assembly of 93CM1 Spring & 151A contact
154AD3	-	0.31"	0.38"	0.19"	Contact, assembly of A287AV1 contact holder & 154AD1 contact
A156AS4	-	3.88"	0.43"	0.23"	Contact, carbon, assembly of A156AS1 contact, 339BX2 clip, & (2) 283DA1 angles
AYYJ0152J2	-	0.38"	0.25"	0.06"	Contact, used for interlock assemblies

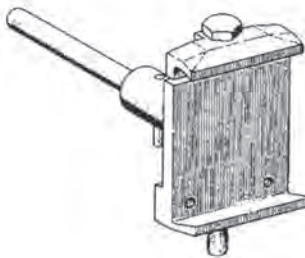
Controller Related Components: Carbon Contact Holders



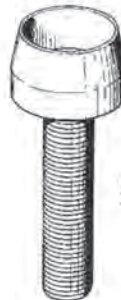
102102
108713
108492



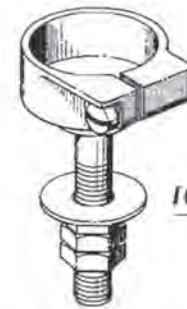
185883



104862
104904



150272



106184

Part No.	Descriptions
102102	4 "LS" accelerating magnet. Bronze contact holder w/ screw for 1-1/4" O.D. contact, 1-13/16" overall length
108713	4 "LS" accelerating magnet. Contact holder w/ screw for 2.0" O.D. contact, 2-1/2" overall length
185883	Base, contact, M. insul. #1, made from part #103918; for #2-SC selectors.
104862	Contact holder for 1-1/2" x 2.0" contact, 5-3/8" overall length, stem threaded 5/16-24"
104904	Contact holder for 2.0" x 2.0" contact, 5-7/8" overall length
150272	Contact holder w/ 1/2" O.D. carbon contact, 2-1/16" overall length, stem 1/4-20" x 1-1/8"
106184	"EG" electric reversing switch. Contact holder for 2-1/4" O.D. contact, 4.0" long stem
108492	GA making or breaking governor switch. Carbon contact holder w/ screw for 3/4" O.D. contact, 2-1/2" overall length, 1-13/16" long stem

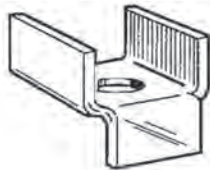
Controller Related Components: Carbon Contact Holders



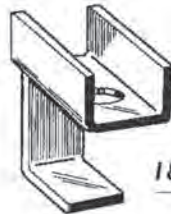
179C_



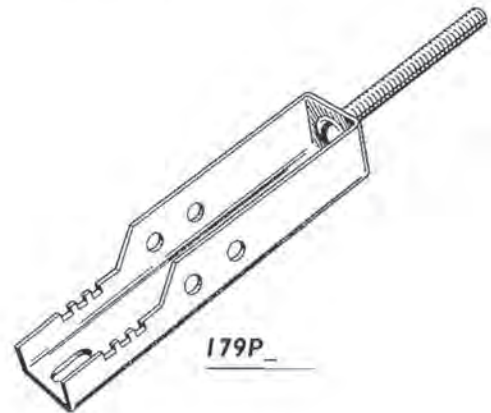
126620



179AT1



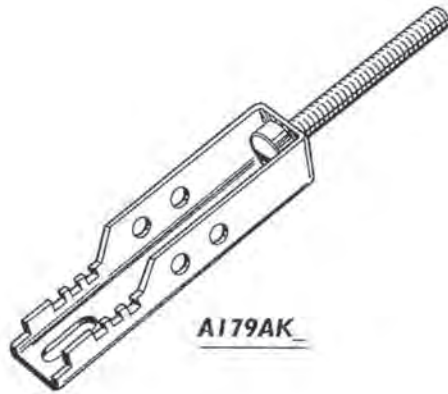
180J1



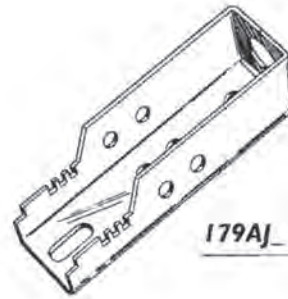
179P_

Part No.	Descriptions
179C1	Holder, 1/2" O.D. carbon contact, stem 1/4-20" x 1-1/2"
179C3	Holder, 1/2" round carbon contact, bronze (old part #141756)
126620	Holder, 3/8" carbon contact, brass spec. #2. w/ one screw part #808225. For type "O" car switch.
179AT1	Holder, brass w/ tin plating, 3/32" flange, .101" hole
180J1	Holder, brush contact, cadmium (or zinc) plated, w/ .144" Hole for contact mounting
179P2	Holder, brush contact, cadmium (or zinc) plated, w/ 25/64" mounting hole
179P3	Holder, brush contact, cadmium (or zinc) plated, w/ 1/4-20" x 1-1/2" brass screw, used on 6830 switch

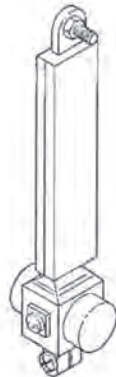
Controller Related Components: Carbon Contact Holders



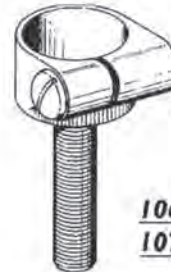
A179AK



179AJ



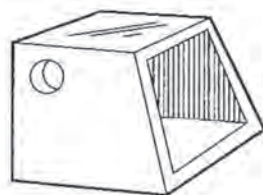
107080



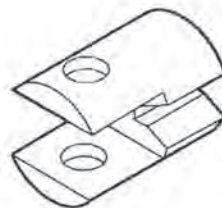
106671
107077

Part No.	Descriptions
179AK2	Holder, carbon contact, cadmium (or zinc) plated, w/ .302" mounting hole
179AK3	Holder, carbon contact, cadmium (or zinc) plated, w/ 1/4-20" x 1-1/2" brass screw
179AK5	Holder, carbon contact, cadmium (or zinc) plated, w/ 1/4-20" x 1-1/2" brass screw & phenolic contact base 306CP1
179AJ1	Holder, carbon contact, copper, w/ 13/32" mounting hole
179AJ3	Holder, carbon contact, copper, w/ 97H5 stud & 3/8" nut, cadmium (or zinc) plated
107080	Holder, complete, contact, consisting of holder part #17446, contact part #1155, tube part #15576, screw part #112C65, screw part #112C69, screw part #112C124, nut part #69A6, nut part #69A8 & washer part #128AD3; for AC Rev. switch.
107077	Holder, complete, contact, RH, consisting of holder part #17485, screw part #112C65, screw part #112C124, nut part #69A8; for "AC" Rev. switch.

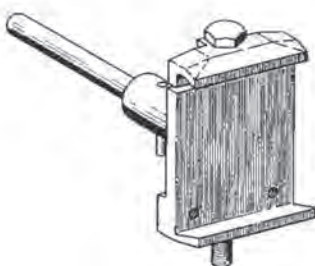
Controller Related Components: Carbon Contact Holders



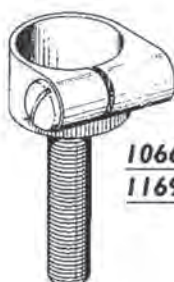
126394



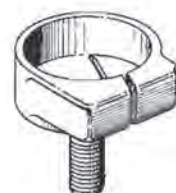
127562



104263
104293
104862
104904



106671
116942

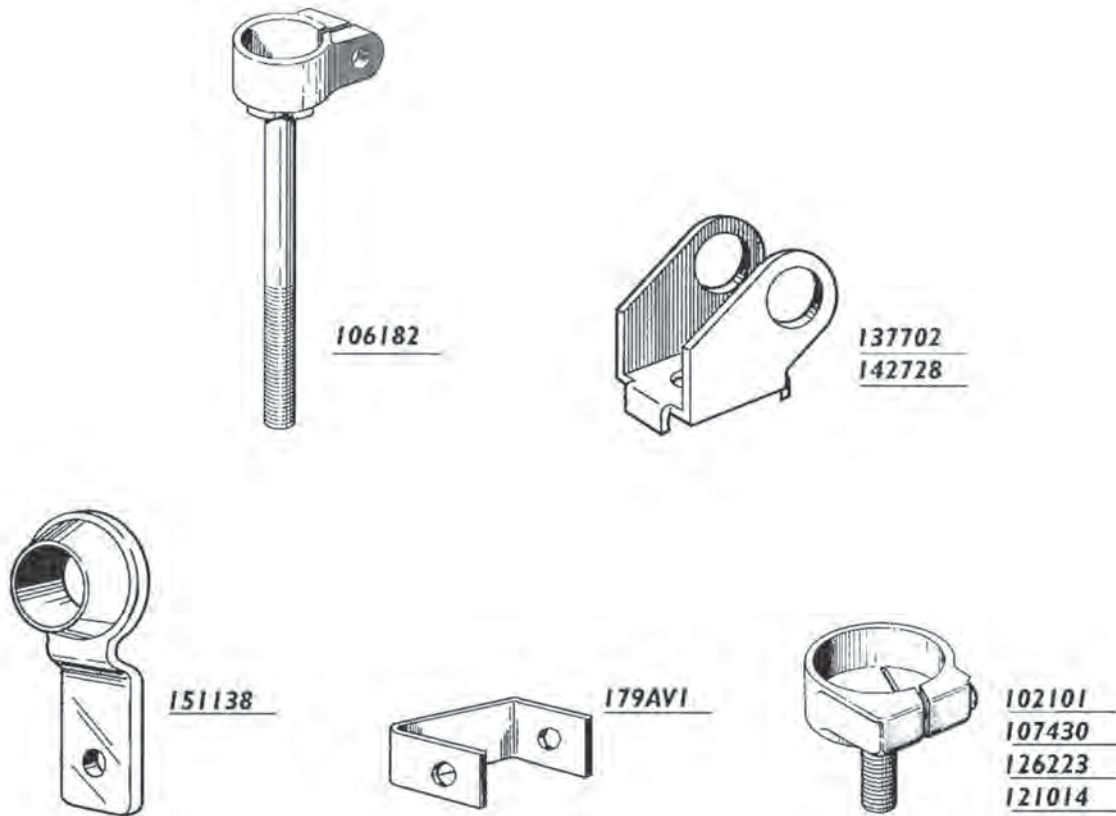


105936
107430
126223
121014

Part No.	Descriptions
----------	--------------

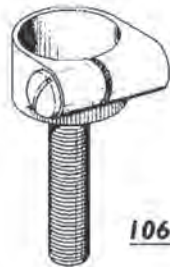
126394	Holder, contact, brass 7/16" x 1/2" I.D., 5/8" x 11/16" O.D., 3/4" long. "O" car switch.
127562	Holder, contact, brass rod. 3/8" dia., 1/2" long. For #3 door lock.
104293	Holder, contact, consisting of holder part #104292, clamp part #16617, screw part #63DA9 & Nut part #85C1.
104263	Holder, contact, consisting of holder part #17491, clamp part #16611, screw part #803088, two screws part #8368 & two washers part #127AE5.
108841	Holder, contact, consisting of holder part #17635 & screw part #63DA20.
116942	Holder, contact, consisting of holder part #178168, screw, contact part #178169, nut & two washers.
12170	Holder, contact, RH, consisting of holder part #180D2, contact part #1338, screw part #112C105, spring part #90AB2, screw part #111E102, screw part #112C101, two screws part #111E106 & terminal part #11003.
12171	Same, assembled, LH
105936	Holder, contact, spec. bronze #2.

Controller Related Components: Carbon Contact Holders

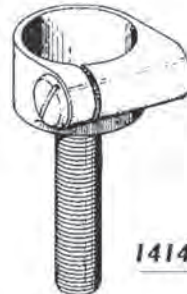


Part No.	Descriptions
142728	Holder, contact, steel; for C-2, 400 amp A/C, 3 poles, copper to copper contact switch, w/ carbon break.
151138	Holder, contact, w/ bushing. consisting of holder part #138876 & bushing part #138877. For #1 "D" 2 pole A/C switch.
106182	Holder, contact, consisting of holder part #17573 & bolt part #63A3
137702	Holder, spec. steel #16. #12 (.109") USS gauge x 1-1/2" wide developed, 3-7/16" long developed.
179AV1	Holder, steel, cadmium (or zinc) plated w/ .129" octagonal hole
102101	Holder.
126223	No. 1 "L" reversing switch. contact holder for 1.0" O.D. contact, 1-7/8" overall length, stem 3/8-16" x 1-3/16"
121014	No. 1 "L" reversing switch. contact holder for 1.0" O.D. contact, 2-3/16" overall length, stem 3/8-16" x 1-1/2"

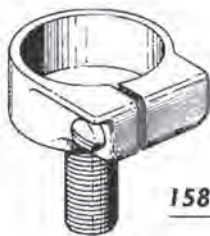
Controller Related Components: Carbon Contact Holders



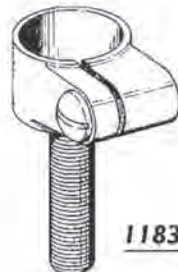
106671



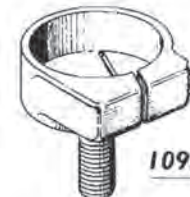
141436



158446



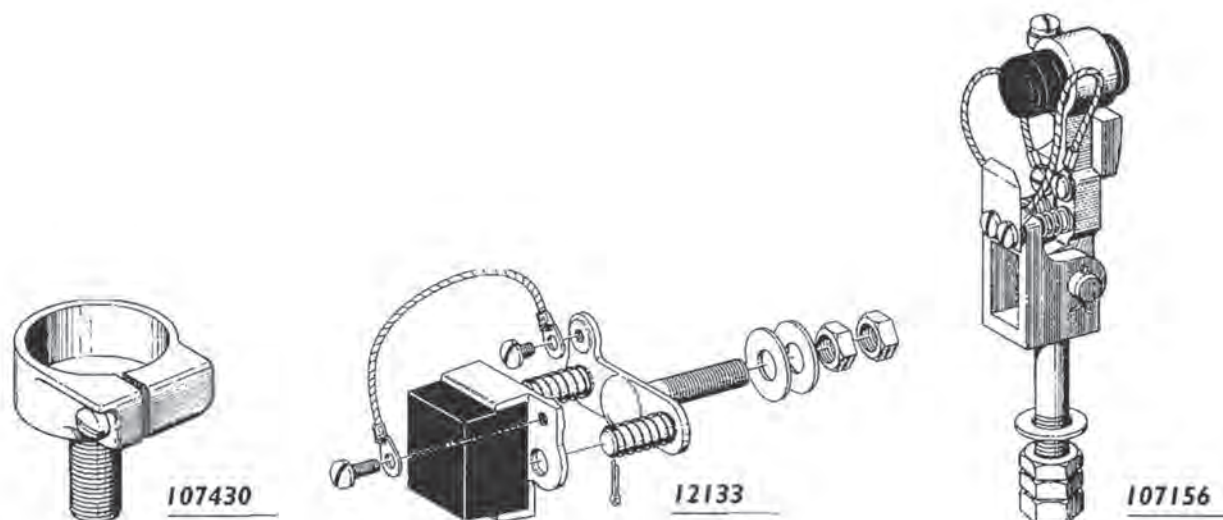
118348



109578

Part No.	Descriptions
106671	No. 1 "SA" reversing switch. Contact holder & screw assembly for 1/2" O.D. contact, 1-5/8" overall length, stem 1/4-20" x 1-1/8"
141436	No. 1 "SC" latching switch. Contact holder for 5/8" O.D. contact, 1-5/8" overall length, stem 1/4-20" x 1-1/8"
158446	No. 1-1/2 "L-1" star delta switch. Contact holder for 1-1/2" O.D. contact, 2-1/8" overall length, stem 1/2-13" x 1-5/16"
118348	No. 2 "L" making switch double contact. Contact holder for 3/4" O.D. contact, 2-3/16" overall length, stem 3/8-16" x 1-1/2"
109578	No. 2 "S" potential-accelerating & reversing switch. Contact holder for 1-3/4" O.D. contact, 2-1/4" overall length, stem 1/2-13" x 1-3/8" long

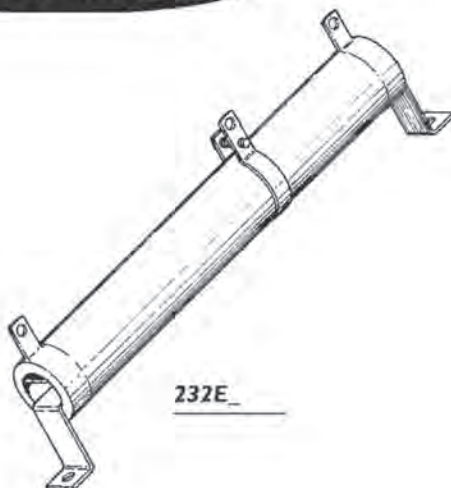
Controller Related Components: Carbon Contact Holders



Part No.	Descriptions
107430	No. 3 "S" potential-accelerating & reversing switch. contact holder for 2-1/4" O.D. contact, 2-1/4" overall length, stem 5/8-11" x 1-13/16"
12133	No. 3 potential switch. Contact holder assembly consisting of (1) 12128 contact & holder assembly, base, springs, & conductors
107156	No. 6 magnet controller. Carbon & copper contact holder assembly consisting of holder w/ 1/2-13" x 3.0" stem, threaded carbon contact, square copper contact, springs, terminals, pin, & hardware
111700	TM automatic stopping switch. Contact holder for 17/32" O.D. contact, 12-24" x 1-1/16" long stem

Controller Related Components: Resistors

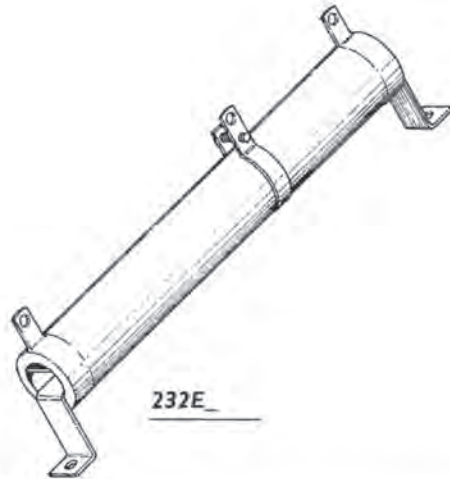
Adjustable Power Resistors



Part No.	Watts	Ohms	Length	Descriptions
232E121	60	10	8.00"	Adjustable power resistor, ceramic core, wirewound, w/ (1) adjustable lug
232E122	60	15	8.00"	Adjustable power resistor, ceramic core, wirewound, w/ (1) adjustable lug
232E123	60	20	8.00"	Adjustable power resistor, ceramic core, wirewound, w/ (1) adjustable lug
232E124	60	25	8.00"	Adjustable power resistor, ceramic core, wirewound, w/ (1) adjustable lug
232E125	60	30	8.00"	Adjustable power resistor, ceramic core, wirewound, w/ (1) adjustable lug
232E126	60	40	8.00"	Adjustable power resistor, ceramic core, wirewound, w/ (1) adjustable lug
232E127	60	50	8.00"	Adjustable power resistor, ceramic core, wirewound, w/ (1) adjustable lug
232E128	60	75	8.00"	Adjustable power resistor, ceramic core, wirewound, w/ (1) adjustable lug
232E129	60	100	8.00"	Adjustable power resistor, ceramic core, wirewound, w/ (1) adjustable lug

Controller Related Components: Resistors

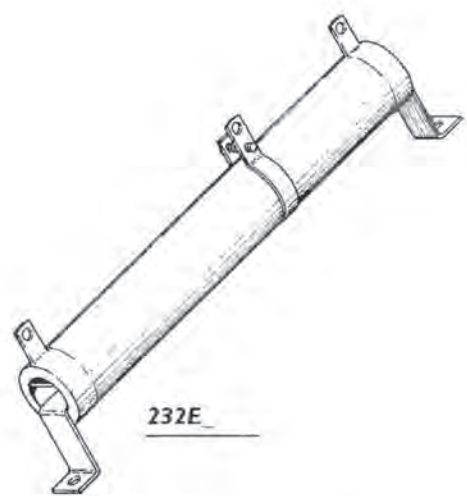
Adjustable Power Resistors



Part No.	Watts	Ohms	Length	Descriptions
232E130	60	125	8.00"	Adjustable power resistor, ceramic core, wirewound, w/ (1) adjustable lug
232E131	60	150	8.00"	Adjustable power resistor, ceramic core, wirewound, w/ (1) adjustable lug
232E132	60	175	8.00"	Adjustable power resistor, ceramic core, wirewound, w/ (1) adjustable lug
232E61	60	200	8.00"	Adjustable power resistor, ceramic core, wirewound
232E133	60	200	8.00"	Adjustable power resistor, ceramic core, wirewound, w/ (1) adjustable lug
232E134	60	250	8.00"	Adjustable power resistor, ceramic core, wirewound, w/ (1) adjustable lug
232E135	60	300	8.00"	Adjustable power resistor, ceramic core, wirewound, w/ (1) adjustable lug
232E136	60	350	8.00"	Adjustable power resistor, ceramic core, wirewound, w/ (1) adjustable lug
232E137	60	400	8.00"	Adjustable power resistor, ceramic core, wirewound, w/ (1) adjustable lug
232E138	60	500	8.00"	Adjustable power resistor, ceramic core, wirewound, w/ (1) adjustable lug

Controller Related Components: Resistors

Adjustable Power Resistors



Part No.	Watts	Ohms	Length	Descriptions
232E139	60	600	8.00"	Adjustable power resistor, ceramic core, wirewound, w/ (1) adjustable lug
232E140	60	750	8.00"	Adjustable power resistor, ceramic core, wirewound, w/ (1) adjustable lug
232E141	60	1 κ	8.00"	Adjustable power resistor, ceramic core, wirewound, w/ (1) adjustable lug
232E142	60	1.5 κ	8.00"	Adjustable power resistor, ceramic core, wirewound, w/ (1) adjustable lug
232E143	60	2 κ	8.00"	Adjustable power resistor, ceramic core, wirewound, w/ (1) adjustable lug
232E144	60	2.5 κ	8.00"	Adjustable power resistor, ceramic core, wirewound, w/ (1) adjustable lug
232DN2	200	30	10.06"	Adjustable power resistor, ceramic core, wirewound
232DN4	200	100	10.06"	Adjustable power resistor, ceramic core, wirewound
232DN6	200	250	10.06"	Adjustable power resistor, ceramic core, wirewound

Note: Mounting Clips are for illustration purposes only. Mounting clips are to be ordered separately.

Controller Related Components: Resistors

Adjustable Power Resistors

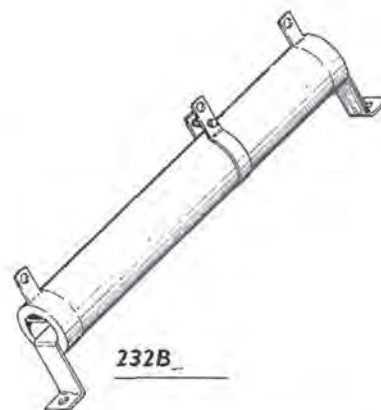
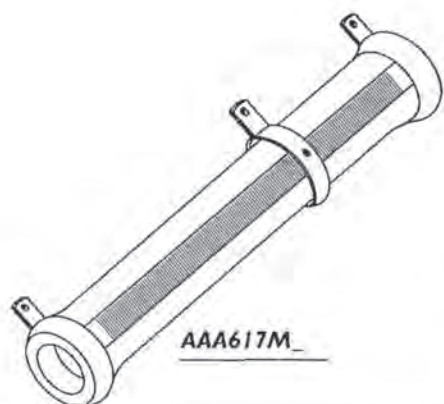


232AA

Part No.	Watts	Ohms	Length	Descriptions
232AA40	400	1.32	10.06"	Adjustable power resistor, ceramic core, wirewound, w/ (2) adjustable lug
232AA41	400	1.65	10.06"	Adjustable power resistor, ceramic core, wirewound, w/ (2) adjustable lug
232AA42	400	2.08	10.06"	Adjustable power resistor, ceramic core, wirewound, w/ (2) adjustable lug
232AA43	400	2.61	10.06"	Adjustable power resistor, ceramic core, wirewound, w/ (2) adjustable lug
232AA44	400	3.82	10.06"	Adjustable power resistor, ceramic core, wirewound, w/ (2) adjustable lug
232AA45	400	4.93	10.06"	Adjustable power resistor, ceramic core, wirewound, w/ (2) adjustable lug
232AA46	400	6.12	10.06"	Adjustable power resistor, ceramic core, wirewound, w/ (2) adjustable lug
232AA47	400	9.28	10.06"	Adjustable power resistor, ceramic core, wirewound, w/ (2) adjustable lug
232AA48	400	14.1	10.06"	Adjustable power resistor, ceramic core, wirewound, w/ (2) adjustable lug

Controller Related Components: Resistors

Adjustable Power Resistors

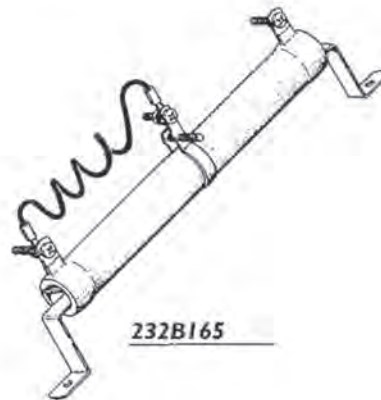
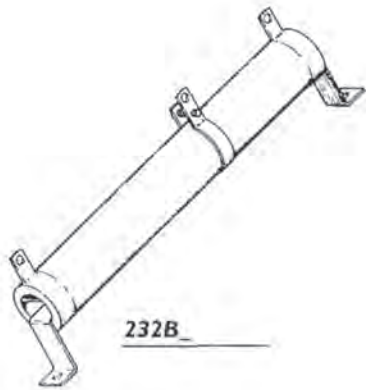


Part No.	Watts	Ohms	Length	Descriptions
AAA617M10	25	25	2"	Adjustable power resistor, vitreous enamel, formerly p/n P232DF3
OHM0368	25	100	2"	Adjustable power resistor, vitreous enamel, 0.50 AMPS Max.
AAA617M14	25	150	2"	Adjustable power resistor, vitreous enamel
OHM0371	25	250	2"	Adjustable power resistor, vitreous enamel, 0.32 AMPS Max.
AAA617M19	25	500	2"	Adjustable power resistor, vitreous enamel
232B1	30	5	3.00"	Adjustable power resistor, vitreous enamel, w/ (1) adjustable lug
232B2	30	7.5	3.00"	Adjustable power resistor, vitreous enamel, w/ (1) adjustable lug
232B3	30	10	3.00"	Adjustable power resistor, vitreous enamel, w/ (1) adjustable lug

Note: Mounting Clips are for illustration purposes only. Mounting clips are to be ordered separately.

Controller Related Components: Resistors

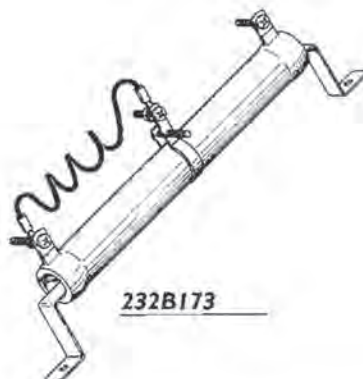
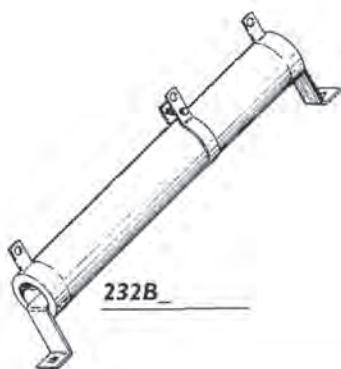
Adjustable Power Resistors



Part No.	Watts	Ohms	Length	Descriptions
232B4	30	15	3.00"	Adjustable power resistor, vitreous enamel, w/ (1) adjustable lug
232B5	30	20	3.00"	Adjustable power resistor, vitreous enamel, w/ (1) adjustable lug
232B6	30	25	3.00"	Adjustable power resistor, vitreous enamel, w/ (1) adjustable lug
232B7	30	50	3.00"	Adjustable power resistor, vitreous enamel, w/ (1) adjustable lug
232B8	30	75	3.00"	Adjustable power resistor, vitreous enamel, w/ (1) adjustable lug
232B9	30	100	3.00"	Adjustable power resistor, vitreous enamel, w/ (1) adjustable lug
232B165	30	100	3.00"	Adjustable power resistor, vitreous enamel, w/ (1) adjustable lug & (1) conductor
232B10	30	150	3.00"	Adjustable power resistor, vitreous enamel, w/ (1) adjustable lug
232B11	30	200	3.00"	Adjustable power resistor, vitreous enamel, w/ (1) adjustable lug
232B12	30	250	3.00"	Adjustable power resistor, vitreous enamel, w/ (1) adjustable lug
232B13	30	300	3.00"	Adjustable power resistor, vitreous enamel, w/ (1) adjustable lug

Controller Related Components: Resistors

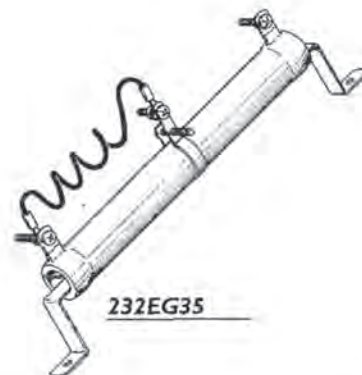
Adjustable Power Resistors



Part No.	Watts	Ohms	Length	Descriptions
232B14	30	400	3.00"	Adjustable power resistor, vitreous enamel, w/ (1) adjustable lug
232B15	30	500	3.00"	Adjustable power resistor, vitreous enamel, w/ (1) adjustable lug
232B16	30	750	3.00"	Adjustable power resistor, vitreous enamel, w/ (1) adjustable lug
232B17	30	800	3.00"	Adjustable power resistor, vitreous enamel, w/ (1) adjustable lug
232B173	30	800	3.00"	Adjustable power resistor, vitreous enamel, w/ (1) adjustable lug & (1) conductor
232B18	30	1 k	3.00"	Adjustable power resistor, vitreous enamel, w/ (1) adjustable lug
232B19	30	1.25 k	3.00"	Adjustable power resistor, vitreous enamel, w/ (1) adjustable lug
232B20	30	1.5 k	3.00"	Adjustable power resistor, vitreous enamel, w/ (1) adjustable lug
232B21	30	2 k	3.00"	Adjustable power resistor, vitreous enamel, w/ (1) adjustable lug
AAA617H3	50	3	4.00"	Adjustable power resistor, vitreous enamel, 4.07 AMPS Max., formerly p/n OHM0560C

Controller Related Components: Resistors

Adjustable Power Resistors

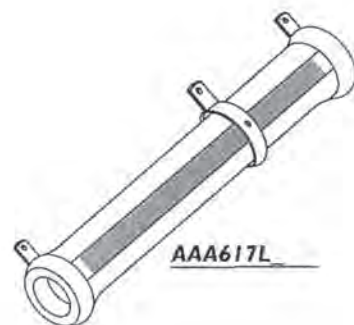
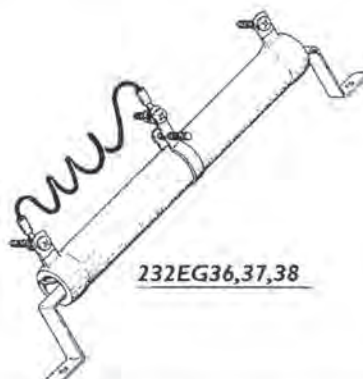


Part No.	Watts	Ohms	Length	Descriptions
AAA617H8	50	25	4.00"	Adjustable power resistor, vitreous enamel
AAA617H14	50	250	4.00"	Adjustable power resistor, vitreous enamel
OHM0774	75	100	6.00"	Adjustable power resistor, vitreous enamel, 0.86 AMPS Max.
P232EF6	75	300	6.00"	Adjustable power resistor, vitreous enamel
AAA617L3	100	3	6.50"	Adjustable power resistor, vitreous enamel
AAA617L6	100	10	6.50"	Adjustable power resistor, vitreous enamel, formerly p/n 232EG1
AAA617L7	100	15	6.50"	Adjustable power resistor, vitreous enamel, formerly p/n 232EG2
AAA617L8	100	25	6.50"	Adjustable power resistor, vitreous enamel, formerly p/n's P232DV2 & 232EG3
232EG35	100	25	7.38"	Adjustable power resistor, vitreous enamel, wirewound, w/ (1) conductor
OHM0959	100	50	6.50"	Adjustable power resistor, vitreous enamel, 1.41 AMPS Max.
AAA617L9	100	50	6.50"	Adjustable power resistor, vitreous enamel, Formerly p/n 232EG4

Note: Mounting Clips are for illustration purposes only. Mounting clips are to be ordered separately.

Controller Related Components: Resistors

Adjustable Power Resistors



Part No.	Watts	Ohms	Length	Descriptions
232EG52	100	50	7.38"	Adjustable power resistor, vitreous enamel, wirewound, w/(1) adjustable Lug & (1) conductor
232EG36	100	50	7.38"	Adjustable power resistor, vitreous enamel, wirewound, w/(1) conductor
232EG20	100	50	7.38"	Adjustable power resistor, vitreous enamel, wirewound, w/out conductor, w/ (1) adjustable lug
AAA617L10	100	100	6.50"	Adjustable power resistor, vitreous enamel, formerly p/n's P232DV3, 232EG5, & 232EG21
232EG53	100	100	7.38"	Adjustable power resistor, vitreous enamel, wirewound, w/ (1) adjustable lug & (1) conductor
232EG37	100	100	7.38"	Adjustable power resistor, vitreous enamel, wirewound, w/ (1) conductor
AAA617L11	100	150	6.50"	Adjustable power resistor, vitreous enamel, formerly p/n 232EG6
232EG54	100	150	7.38"	Adjustable power resistor, vitreous enamel, wirewound, w/ (1) adjustable Lug & (1) conductor
232EG38	100	150	7.38"	Adjustable power resistor, vitreous enamel, wirewound, w/ (1) conductor

Note: Mounting Clips are for illustration purposes only. Mounting clips are to be ordered separately.

Controller Related Components: Resistors

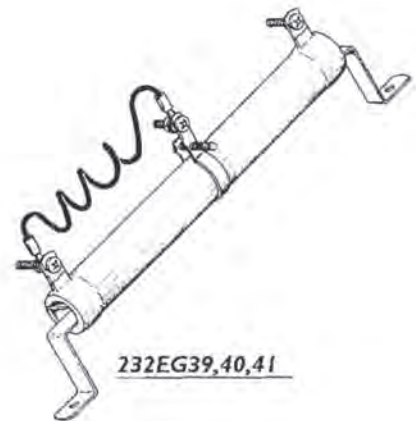
Adjustable Power Resistors



232EG22,24,25



AAA617L



232EG39,40,41

Part No.	Watts	Ohms	Length	Descriptions
232EG22	100	150	7.38"	Adjustable power resistor, vitreous enamel, wirewound, w/out conductor, w/ (1) adjustable lug
AAA617L12	100	200	6.50"	Adjustable power resistor, vitreous enamel, formerly p/n 232EG7
232EG39	100	200	7.38"	Adjustable power resistor, vitreous enamel, wirewound, w/ (1) conductor
AAA617L13	100	250	6.50"	Adjustable power resistor, vitreous enamel, formerly p/n 232EG8
232EG40	100	250	7.38"	Adjustable power resistor, vitreous enamel, wirewound, w/ (1) conductor
232EG24	100	250	7.38"	Adjustable power resistor, vitreous enamel, wirewound, w/out conductor, w/ (1) adjustable lug
AAA617L14	100	300	6.50"	Adjustable power resistor, vitreous enamel, formerly p/n 232EG9
232EG41	100	300	7.38"	Adjustable power resistor, vitreous enamel, wirewound, w/ (1) conductor

Note: Mounting Clips are for illustration purposes only. Mounting clips are to be ordered separately.

Controller Related Components: Resistors

Adjustable Power Resistors

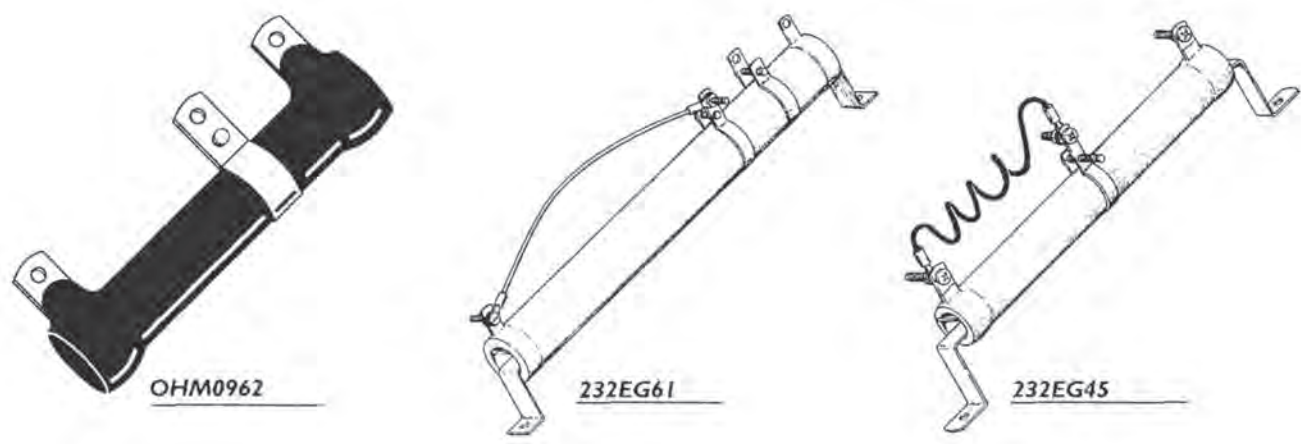


Part No.	Watts	Ohms	Length	Descriptions
232EG25	100	300	7.38"	Adjustable power resistor, vitreous enamel, wirewound, w/out conductor, w/ (1) adjustable lug
AAA617L15	100	400	6.50"	Adjustable power resistor, vitreous enamel, wirewound, p/n 232EG10
AAA617L16	100	500	6.50"	Adjustable power resistor, vitreous enamel, formerly p/n 232EG11
232EG59	100	500	7.38"	Adjustable power resistor, vitreous enamel, wirewound, w/ (1) adjustable lug & (1) conductor
232EG75	100	500	7.38"	Adjustable power resistor, vitreous enamel, wirewound, w/ (2) adjustable lugs & (1) conductor
AAA617L17	100	750	6.50"	Adjustable power resistor, vitreous enamel, formerly p/n 232EG12
232EG60	100	750	7.38"	Adjustable power resistor, vitreous enamel, wirewound, w/ (1) adjustable lug & (1) conductor
232EG44	100	750	7.38"	Adjustable power resistor, vitreous enamel, wirewound, w/ (1) conductor
AAA617L18	100	1 k	6.50	Adjustable power resistor, vitreous enamel

Note: Mounting Clips are for illustration purposes only. Mounting clips are to be ordered separately.

Controller Related Components: Resistors

Adjustable Power Resistors



Part No.	Watts	Ohms	Length	Descriptions
OHM0962	100	1 k	6.50"	Adjustable power resistor, vitreous enamel, 0.32 AMPS Max.
232EG61	100	1 k	7.38"	Adjustable power resistor, vitreous enamel, wirewound, w/ (1) adjustable lug & (1) conductor
232EG45	100	1 k	7.38"	Adjustable power resistor, vitreous enamel, wirewound, w/ (1) conductor,

Note: Mounting Clips are for illustration purposes only. Mounting clips are to be ordered separately.

Controller Related Components: Resistors

Adjustable Power Resistors



Part No.	Watts	Ohms	Length	Descriptions
AAA617L20	100	2 k	6.50"	Adjustable power resistor, vitreous enamel
P232EF5	160	150	8.50"	Adjustable power resistor, vitreous enamel, wirewound
P232EF8	175	25	8.50"	Adjustable power resistor, vitreous enamel
P232EF1	175	50	8.50"	Adjustable power resistor, vitreous enamel, w/ (2) mounting brackets
P232EF2	175	100	8.50"	Adjustable power resistor, vitreous enamel
P232EF3	175	250	8.50"	Adjustable power resistor, vitreous enamel
P232EF4	175	500	8.50"	Adjustable power resistor, vitreous enamel
AAA617K1	225	1	10.50"	Adjustable power resistor, vitreous enamel
AAA617K3	225	3	10.50"	Adjustable power resistor, vitreous enamel
AAA617K5	225	5	10.50"	Adjustable power resistor, vitreous enamel
AAA617K6	225	10	10.50"	Adjustable power resistor, vitreous enamel

Note: Mounting Clips are for illustration purposes only. Mounting clips are to be ordered separately.

Controller Related Components: Resistors

Adjustable Power Resistors

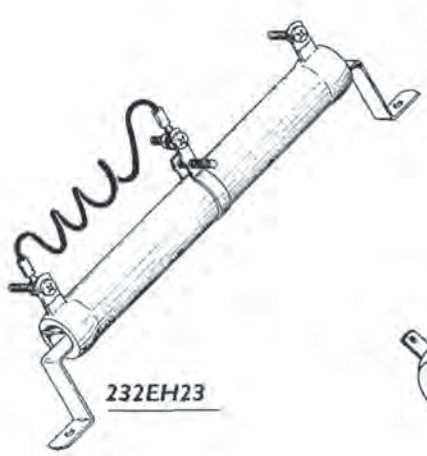


Part No.	Watts	Ohms	Length	Descriptions
232EH1	225	20	11.38"	Adjustable power resistor, vitreous enamel, wirewound
AAA617K7	225	25	10.50"	Adjustable power resistor, vitreous enamel
AAA617K15	225	30	10.50"	Adjustable power resistor, vitreous enamel, formerly p/n P232BJ4
AAA21305D2	225	30	10.50"	Adjustable power resistor, vitreous enamel, w/ AAA617K15 Tube & AAA617K102 adjustable lug, used for OVL door operators only
AAA617K8	225	50	10.50"	Adjustable power resistor, vitreous enamel, formerly p/n P232BJ5

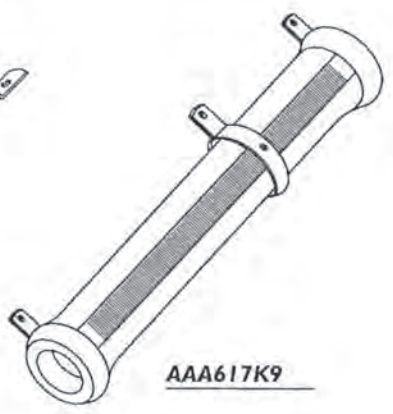
Note: Mounting Clips are for illustration purposes only. Mounting clips are to be ordered separately.

Controller Related Components: Resistors

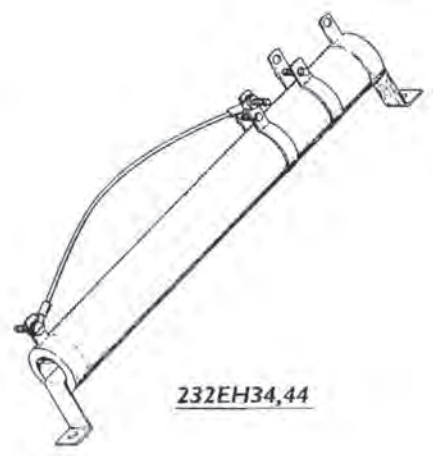
Adjustable Power Resistors



232EH23



AAA617K9



232EH34,44

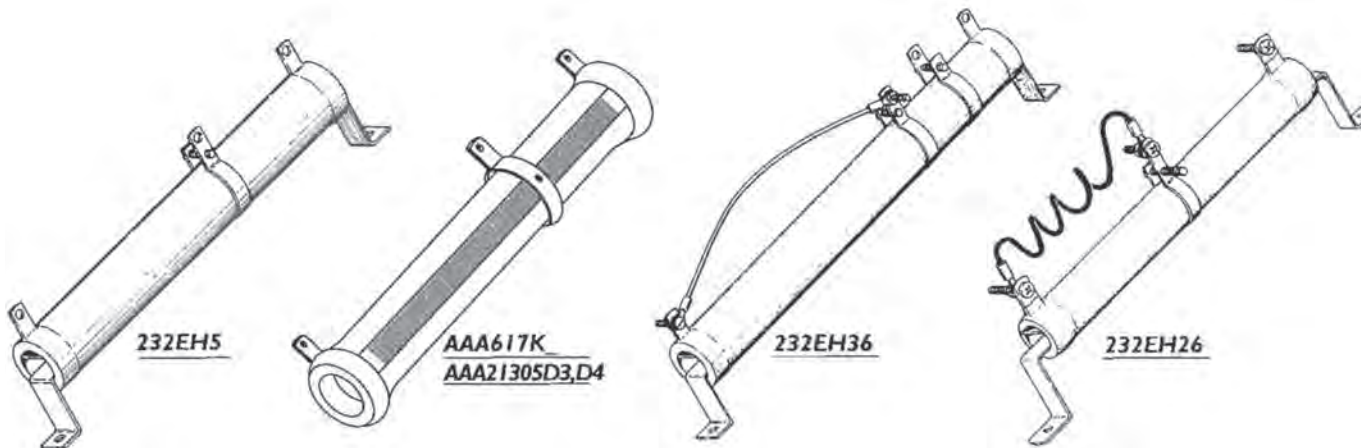
Part No.	Watts	Ohms	Length	Descriptions
----------	-------	------	--------	--------------

232EH33	225	50	11.38"	Adjustable power resistor, vitreous enamel, wirewound, w/ (1) adjustable lug & (1) conductor
232EH23	225	50	11.38"	Adjustable power resistor, vitreous enamel, wirewound, w/ (1) conductor
AAA617K9	225	100	10.50"	Adjustable power resistor, vitreous enamel, formerly p/n P232BJ6
232EH34	225	100	11.38"	Adjustable power resistor, vitreous enamel, wirewound, w/ (1) adjustable lug & (1) conductor
232EH44	225	100	11.38"	Adjustable power resistor, vitreous enamel, wirewound, w/ (2) adjustable lug & (1) conductor

Note: Mounting Clips are for illustration purposes only. Mounting clips are to be ordered separately.

Controller Related Components: Resistors

Adjustable Power Resistors



Part No.	Watts	Ohms	Length	Descriptions
232EH5	225	150	11.38"	Adjustable power resistor, vitreous enamel, wirewound
AAA21305D3	225	200	10.50"	Adjustable power resistor, vitreous enamel, w/ AAA617K17 tube & (3) AAA617K102 adjustable lugs, used for OVL door operators only
AAA617K10	225	250	10.50"	Adjustable power resistor, vitreous enamel, formerly p/n's AAA232FF10 & P232BJ2
232EH36	225	250	11.38"	Adjustable power resistor, vitreous enamel, wirewound w/ (1) adjustable lug & (1) conductor
232EH26	225	250	11.38"	Adjustable power resistor, vitreous enamel, wirewound w/ (1) conductor
AAA21305D4	225	300	10.50"	Adjustable power resistor, vitreous enamel, w/ AAA617K18 tube & (3) AAA617K102 adjustable lugs, used for OVL door operators only
AAA617K11	225	500	10.50"	Adjustable power resistor, vitreous enamel
AAA617K12	225	1 k	10.50"	Adjustable power resistor, vitreous enamel, formerly p/n P232BJ3

Note: Mounting Clips are for illustration purposes only. Mounting clips are to be ordered separately.

Controller Related Components: Resistors

Adjustable Power Resistors



Controller Related Components

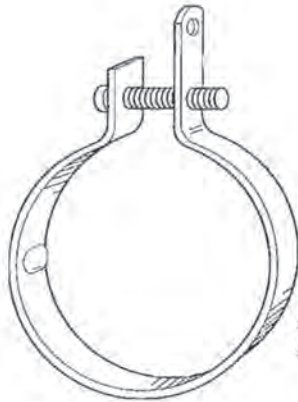
Part No.	Watts	Ohms	Length	Descriptions
----------	-------	------	--------	--------------

AAA21305D8	225	30	10.50"	Kit, consisting of AAA21305D2 adjustable power resistor, (6) 127AE4 washers, & (2) 129CP11 washers, formerly p/n J0232G2
AAA21305D7	225	150	10.50"	Kit, consisting of AAA21305D1 adjustable power resistor, (6) 127AE4 washers, & (2) 129CP11 washers, formerly p/n J0232G1
AAA21305D9	225	200	10.50"	Kit, consisting of AAA21305D3 adjustable power resistor, (6) 127AE4 washers, & (2) 129CP11 washers, formerly p/n J0232G3
AAA21305D10	225	300	10.50"	Kit, consisting of AAA21305D4 adjustable power resistor, (6) 127AE4 washers, & (2) 129CP11 washers, formerly p/n J0232G4
0232AS82	80	250	140.00mm	Adjustable power resistor, wirewound, w/ (2) lugs & conductor
AAA617R1	750	0.65	15.38"	Adjustable power resistor

Note: Mounting Clips are for illustration purposes only. Mounting clips are to be ordered separately.

Controller Related Components: Resistors

Adjustable Power Resistors-Accessories



AAA232FG103
AAA617K102



AAA617K101
AAA617L101

Part No.	Descriptions
AAA232FG103	Adjustable lug, used w/ AAA617L adjustable power resistors
AAA617K102	Adjustable lug, used w/ AAA617K adjustable power resistors
AAA617K101	Mounting clip, used w/ AAA617K adjustable power resistors, formerly p/n AAA232FF101
AAA617L101	Mounting clip, spring steel, used w/ AAA617L adjustable power resistors
AAA232GF102	Thru bolt, used w/ AAA617L adjustable power resistors
AAA617K103	Thru bolt, used w/ AAA617K adjustable power resistors

Note: Mounting Clips are for illustration purposes only.
Mounting clips are to be ordered separately.

Controller Related Components: Resistors

Ribwound Power Resistors



Edgewound Power Resistors



Part No.	Watts	Ohms	Length	Descriptions
----------	-------	------	--------	--------------

232EW1	550	1.5	13.50"	Fixed ribwound power resistor
RB2319	700/1000	1.3	17.88"	Edgewound power resistor, ceramic core, 29.00 AMPS Max.
RB2313	700/1000	1.6	17.88"	Edgewound power resistor, ceramic core, 26.00 AMPS Max.
RB2334A	700/1000	4.5	17.88"	Edgewound power resistor, ceramic core, 12.70 AMPS Max.
RB2335A	700/1000	5.4	17.88"	Edgewound power resistor, ceramic core, 11.80 AMPS Max.
RB2337A	700/1000	8.5	15"	Edgewound power resistor, ceramic core, 9.40 AMPS Max.
232EN1	2000	10	21.75"	Fixed ribwound power resistor, cement coated

Note: Mounting Clips are for illustration purposes only. Mounting clips are to be ordered separately.

Controller Related Components: Resistors



Part No.	Watts	Ohms	Length	Descriptions
AAA232FC61	3	1 κ	3.64"	Fixed power resistor, silicone-ceramic coating, axial lead, wirewound
P232BG1	3	2.5 κ	3.75"	Fixed power resistor, axial lead, wirewound
P232DP1	3.25	820	3.56"	Fixed power resistor, vitreous enamel, axial lead, wirewound
AAA232GJ29	5	100	4.00"	Fixed power resistor, vitreous enamel, axial lead, wirewound
AAA232GJ30	5	120	4.00"	Fixed power resistor, vitreous enamel, axial lead, wirewound, formerly p/n 232AT5

Controller Related Components: Resistors



Part No.	Watts	Ohms	Length	Descriptions
P232BN2	5	200	3.88"	Fixed power resistor, silicone coated, axial lead, wirewound
AAA232GJ37	5	250	4.00"	Fixed power resistor, vitreous enamel, axial lead, wirewound, formerly p/n 232AT4
AAA232GJ45	5	500	4.00"	Fixed power resistor, vitreous enamel, axial lead, wirewound, formerly p/n 232AT8
AAA232GJ53	5	1 k	4.00"	Fixed power resistor, vitreous enamel, axial lead, wirewound, formerly p/n 232AT11
AAA232GJ58	5	2 k	4.00"	Fixed power resistor, vitreous enamel, axial lead, wirewound, formerly p/n 232AT7
AAA232GJ60	5	2.5 k	4.00"	Fixed power resistor, vitreous enamel, axial lead, wirewound, formerly p/n 232AT9
P232AT13	5	3 k	4.00"	Fixed power resistor, axial lead, wirewound,

Controller Related Components: Resistors

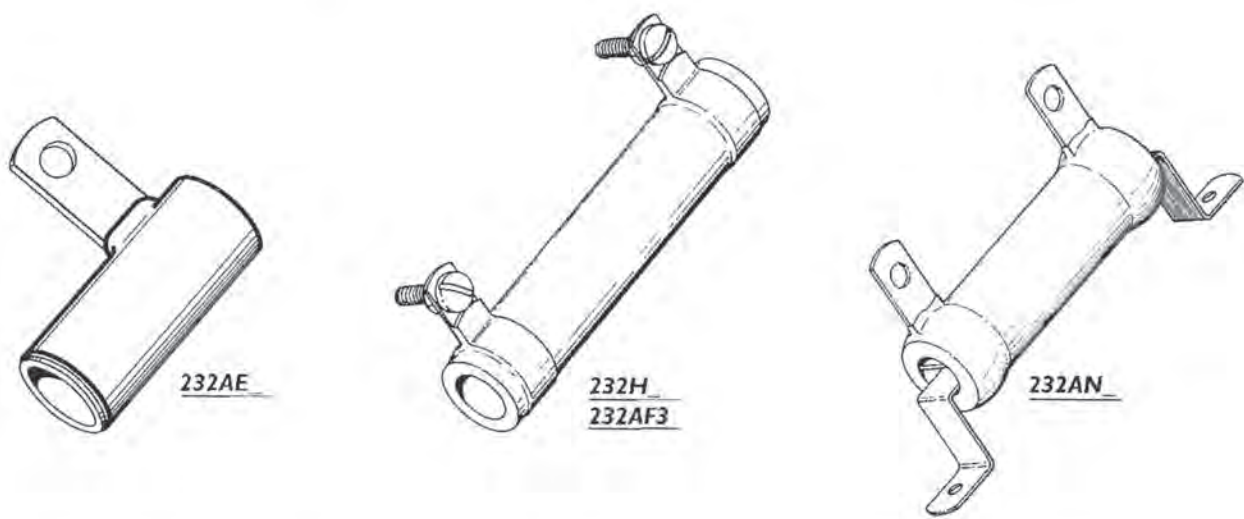
Fixed Power Resistors



Part No.	Watts	Ohms	Length	Descriptions
AAA232GJ66 AAA232FJ	5	4 k	4.00"	Fixed power resistor, vitreous enamel, axial lead, wirewound, formerly p/n 232AT6
R0A6840C1	7	1.4 k	4.22"	Fixed power resistor, silicone coated, axial lead, wirewound
P232FG1	10	5	4.78"	Fixed power resistor, silicone coated, axial lead, wirewound
AAA232FJ1	10	50	4.78"	Fixed power resistor, silicone coated, axial lead, wirewound, formerly p/n 232FB6
AAA232FJ2	10	4 k	4.78"	Fixed power resistor, silicone coated, axial lead, wirewound
AAA232FJ4	10	84.5 k	4.78"	Fixed power resistor, silicone coated, axial lead, wirewound
P232AT17	11	25	4.80"	Fixed power resistor, vitreous enamel, axial lead, wirewound

Controller Related Components: Resistors

Fixed Power Resistors



Part No.	Watts	Ohms	Length	Descriptions
----------	-------	------	--------	--------------

232AE1	5	250	0.88"	Fixed power resistor, wirewound
232H3	5	500	1.03"	Fixed power resistor, wirewound
232AE2	5	1 κ	0.88"	Fixed power resistor, wirewound
232H1	5	1.5 κ	1.03"	Fixed power resistor, wirewound
232H2	5	2 κ	1.03"	Fixed power resistor, wirewound
232H5	5	2.5 κ	1.03"	Fixed power resistor, wirewound
232H4	5	10 κ	1.03"	Fixed power resistor, wirewound
232AF3	10	3 κ	1.75"	Fixed power resistor, vitreous enamel, wirewound
232AN1	12	10	1.75"	Fixed power resistor, vitreous enamel
232AN2	12	1 κ	1.75"	Fixed power resistor, vitreous enamel
232AN5	12	6.8 κ	1.75"	Fixed power resistor, vitreous enamel

Controller Related Components: Resistors

Fixed Power Resistors



Part No.	Watts	Ohms	Length	Descriptions
232Y2	20	5	2.00"	Fixed power resistor, vitreous enamel, wirewound, w/out center tap
232Y14	20	100	2.00"	Fixed power resistor, vitreous enamel, wirewound, w/out center tap
232Y18	20	200	2.00"	Fixed power resistor, vitreous enamel, wirewound, w/out center tap
232Y20	20	250	2.00"	Fixed power resistor, vitreous enamel, wirewound, w/out center tap
232Y25	20	400	2.00"	Fixed power resistor, vitreous enamel, wirewound, w/out center tap
232Y24	20	400	2.00"	Fixed power resistor, vitreous enamel, wirewound, w/out center tap
232Y26	20	500	2.00"	Fixed power resistor, vitreous enamel, wirewound, w/out center tap
232Y28	20	750	2.00"	Fixed power resistor, vitreous enamel, wirewound, w/out center tap
232Y31	20	800	2.00"	Fixed power resistor, vitreous enamel, wirewound, w/center tap
232Y33	20	900	2.00"	Fixed power resistor, vitreous enamel, wirewound, w/center tap

Controller Related Components: Resistors

Fixed Power Resistors



Part No.	Watts	Ohms	Length	Descriptions
232Y32	20	1 κ	2.00"	Fixed power resistor, vitreous enamel, wirewound, w/out center tap
232Y35	20	1.2 κ	2.00"	Fixed power resistor, vitreous enamel, wirewound, w/center tap
232Y36	20	1.5 κ	2.00"	Fixed power resistor, vitreous enamel, wirewound, w/out center tap
232Y37	20	1.6 κ	2.00"	Fixed power resistor, vitreous enamel, wirewound, w/center tap
232Y39	20	2 κ	2.00"	Fixed power resistor, vitreous enamel, wirewound, w/center tap
232Y38	20	2 κ	2.00"	Fixed power resistor, vitreous enamel, wirewound, w/out center tap
232Y41	20	2.4 κ	2.00"	Fixed power resistor, vitreous enamel, wirewound, w/center tap
232Y42	20	3 κ	2.00"	Fixed power resistor, vitreous enamel, wirewound, w/out center tap
232Y43	20	3.2 κ	2.00"	Fixed power resistor, vitreous enamel, wirewound, w/center tap
232Y45	20	4 κ	2.00"	Fixed power resistor, vitreous enamel, wirewound, w/center tap

Controller Related Components: Resistors

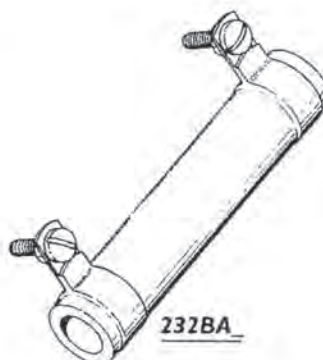
Fixed Power Resistors



Part No.	Watts	Ohms	Length	Descriptions
232Y62	20	40 κ	2.00"	Fixed power resistor, vitreous enamel, wirewound, w/out center tap
LA5P41-0002	25	25	2.00"	Fixed power resistor, vitreous enamel
232AM3	25	1 κ	2.00"	Fixed power resistor, vitreous enamel, Ohmite p/n L25J1K0
232BA22	30	2.25 κ	3.00"	Fixed power resistor, vitreous enamel, formerly p/n 232B22
232BA23	30	2.5 κ	3.00"	Fixed power resistor, vitreous enamel, formerly p/n 232B23
232BA24	30	3 κ	3.00"	Fixed power resistor, vitreous enamel, formerly p/n 232B24
232BA25	30	3.5 κ	3.00"	Fixed power resistor, vitreous enamel, formerly p/n 232B25
232BA26	30	4 κ	3.00"	Fixed power resistor, vitreous enamel, formerly p/n 232B26
232BA27	30	4.5 κ	3.00"	Fixed power resistor, vitreous enamel, formerly p/n 232B27
232BA28	30	5 κ	3.00"	Fixed power resistor, vitreous enamel, formerly p/n 232B28

Controller Related Components: Resistors

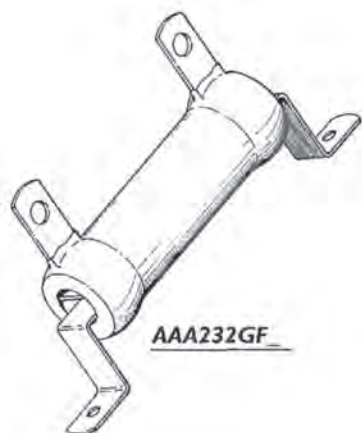
Fixed Power Resistors



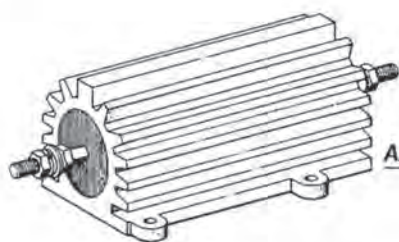
Part No.	Watts	Ohms	Length	Descriptions
232BA29	30	6 k	3.00"	Fixed power resistor, vitreous enamel, formerly p/n 232B29
232BA30	30	7 k	3.00"	Fixed power resistor, vitreous enamel, Formerly p/n 232B30
232BA31	30	7.5 k	3.00"	Fixed power resistor, vitreous enamel, formerly p/n 232B31
232BA32	30	8 k	3.00"	Fixed power resistor, vitreous enamel, formerly p/n 232B32
232BA33	30	9 k	3.00"	Fixed power resistor, vitreous enamel, formerly p/n 232B33
232BA34	30	10 k	3.00"	Fixed power resistor, vitreous enamel, formerly p/n 232B34
232BA35	30	12 k	3.00"	Fixed power resistor, vitreous enamel, formerly p/n 232B35
232BA36	30	15 k	3.00"	Fixed power resistor, vitreous enamel, formerly p/n 232B36
232BA37	30	20 k	3.00"	Fixed power resistor, vitreous enamel, formeryp/n 232B37
232BA38	30	25 k	3.00"	Fixed power resistor, vitreous enamel, formerly p/n 232B38
232BA39	30	30 k	3.00"	Fixed power resistor, vitreous enamel, formerly p/n 232B39

Controller Related Components: Resistors

Fixed Power Resistors

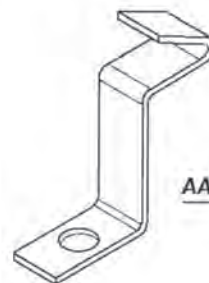


AAA232GF



AAA232FE3

Fixed Power Resistors Accessories



AAA232GF101

Part No.	Watts	Ohms	Length	Descriptions
AAA232GF11	100	75	6.50"	Fixed power resistor, vitreous enamel
AAA232GF12	100	100	6.50"	Fixed power resistor, vitreous enamel
AAA232GF16	100	300	6.50"	Fixed power resistor, vitreous enamel
AAA232GF18	100	500	6.50"	Fixed power resistor, vitreous enamel, formerly p/n P232DZ6
AAA232GF20	100	1 k	6.50"	Fixed power resistor, vitreous enamel, formerly p/n P232DZ1
AAA232GF21	100	1.5 k	6.50"	Fixed power resistor, vitreous enamel, formerly p/n P232DZ2
AAA232GF22	100	2 k	6.50"	Fixed power resistor, vitreous enamel, formerly p/n P232DZ3
AAA232GF23	100	2.5 k	6.50"	Fixed power resistor, vitreous enamel, formerly p/n P232DZ4
AAA232FE3	30	27	7.00"	Fixed power resistor, panel mount
AAA232GF101	-	-	-	Mounting clip, used w/ AAA232GF fixed power resistors
AAA232GF102	-	-	7.50"	Thru bolt, used w/ AAA232GF fixed power resistors

Controller Related Components: Resistors

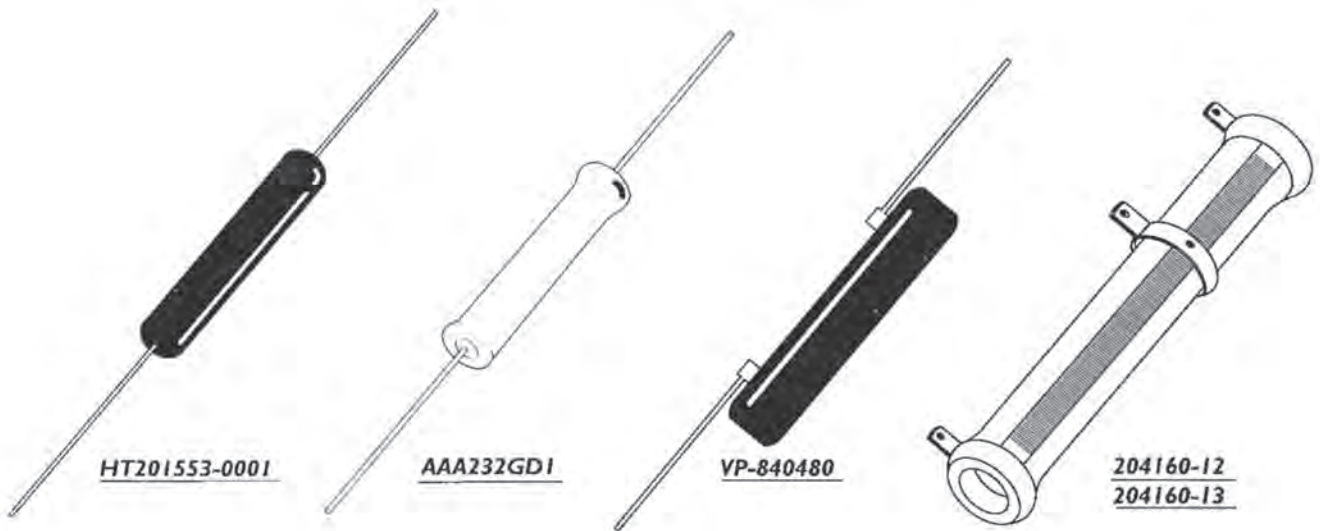
Non-Inductive Power Resistors



Part No.	Watts	Ohms	Length	Descriptions
P232DF1	25	0.5	1.97"	Non-inductive power resistor, aluminum housing, wirewound
P232EP1	25	10	2.00"	Non-inductive power resistor, wirewound
P232BX3	50	15	3.00"	Non-inductive power resistor, aluminum housing, wirewound
HT2E4755	100	0.5	5.48"	Non-inductive power resistor, aluminum housing, wirewound
P232CP2	100	5	3.75"	Non-inductive power resistor, aluminum housing, wirewound
HT2E4755	250	0.1	7.00"	Non-inductive power resistor, aluminum housing, wirewound
P232ER1	250	1	7.00"	Non-inductive power resistor, aluminum housing, wirewound

Controller Related Components: Resistors

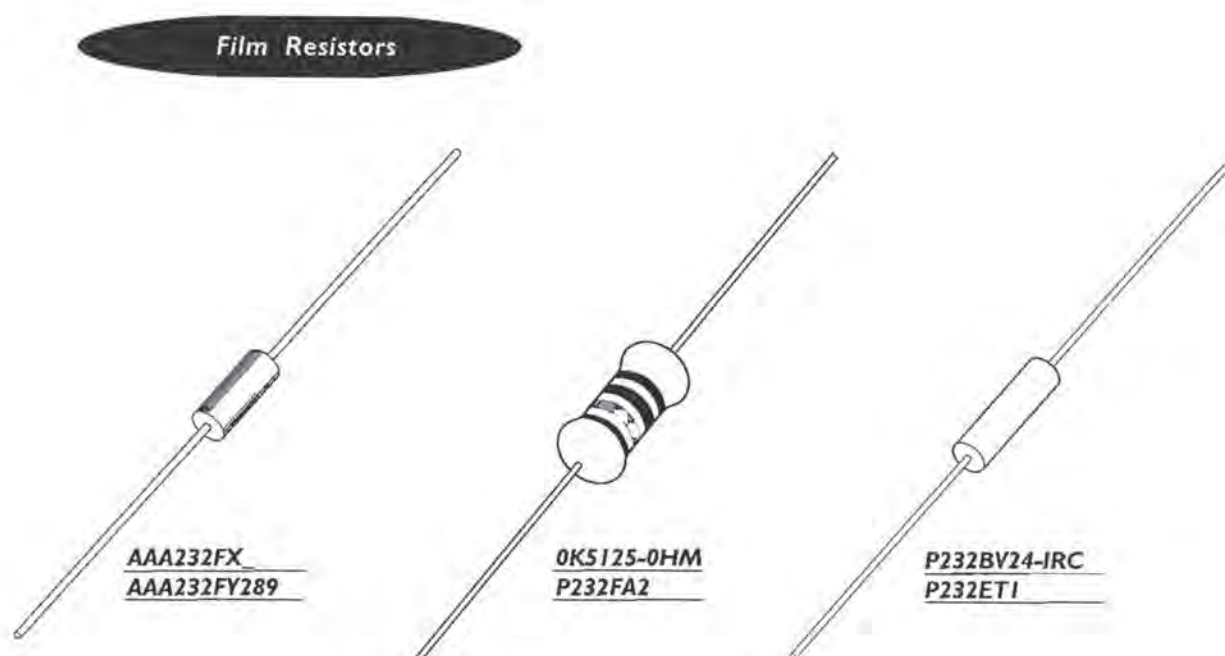
Power Resistors



Part No. Watts Ohms Length Descriptions

HT201553-0001	4	0.5	3.63"	Power resistor, silicone coated, wirewound
AAA232GD1	5	51.1 k	3.94"	Power resistor, silicone-ceramic, wirewound, axial lead
VP-840480	12	2.5 k	4.75"	Power resistor, vitreous enamel
204160-12	175	10	-	Power resistor
204160-13	175	250	-	Power resistor

Controller Related Components: Resistors



Part No.	Watts	Ohms	Length	Descriptions
----------	-------	------	--------	--------------

AAA232FX193	0.25	1 k	2.42"	Metal film resistor, axial lead
AAA232FX226	0.25	2.21 k	2.42"	Metal film resistor, axial lead
0K5125-0HM	0.25	5.1 k	2.52"	Carbon film resistor
AAA232FX363	0.25	59 k	2.42"	Metal film resistor, axial lead
AAA232FX402	0.25	150 k	2.42"	Metal film resistor, axial lead
P232BV24-IRC	0.25	150 k	3.40"	Metal film resistor
AAA232FX482	0.25	3.92 M	2.42"	Metal film resistor, axial lead
P232ET1	0.5	7.15 k	3.40"	Metal film resistor
AAA232FY289	0.5	10 k	3.43"	Metal film resistor, axial lead
P232FA2	1	6.34 k	2.44"	Metal film resistor, light blue w/ color code

Controller Related Components: Resistors



Part No.	Watts	Ohms	Length	Descriptions
P232AW30	0.25	1 k	3.25"	Fixed carbon composition resistor
232F44	0.5	18	3.41"	Fixed carbon composition resistor
232F45	0.5	100	3.41"	Fixed carbon composition resistor
AAA232FM53	0.5	150	3.41"	Fixed carbon composition resistor, axial lead
AAA232FM55	0.5	180	3.41"	Fixed carbon composition resistor, axial lead, formerly p/n P232F82
232F6	0.5	220	3.41"	Fixed carbon composition resistor
232F46	0.5	270	3.41"	Fixed carbon composition resistor
232F7	0.5	330	3.41"	Fixed carbon composition resistor
232F49	0.5	330	3.41"	Fixed carbon composition resistor
AAA232FM63	0.5	390	3.41"	Fixed carbon composition resistor, axial lead
232F18	0.5	470	3.41"	Fixed carbon composition resistor
AAA232FM66	0.5	510	3.41"	Fixed carbon composition resistor, axial lead
P232F52	0.5	680	3.41"	Fixed carbon composition resistor, axial lead, formerly p/n AAA232FM69

Controller Related Components: Resistors

Fixed Carbon Composition Resistors



Part No.	Watts	Ohms	Length	Descriptions
AAA232FM70	0.5	750	3.41"	Fixed carbon composition resistor, axial lead
AAA232FM71	0.5	820	3.41"	Fixed carbon composition resistor, axial lead, formerly p/n P232F65
232F27	0.5	1 k	3.41"	Fixed carbon composition resistor
AAA232FM75	0.5	1.2 k	3.41"	Fixed carbon composition resistor, axial lead, formerly p/n P232F53
AAA232FM77	0.5	1.5 k	3.41"	Fixed carbon composition resistor, axial lead, formerly p/n P232F54
AAA232FM79	0.5	1.8 k	3.41"	Fixed carbon composition resistor, axial lead, formerly p/n P232F55
232F5	0.5	2.2 k	3.41"	Fixed carbon composition resistor
232F29	0.5	2.2 k	3.41"	Fixed carbon composition resistor
AAA232FM83	0.5	2.7 k	3.41"	Fixed carbon composition resistor, axial lead, formerly p/n P232F56
AAA232FM85	0.5	3.3 k	3.41"	Fixed carbon composition resistor, axial lead
232F4	0.5	3.9 k	3.41"	Fixed carbon composition resistor
AAA232FM87	0.5	3.9 k	3.41"	Fixed carbon composition resistor, axial lead, formerly p/n P232F58

Controller Related Components: Resistors

Fixed Carbon Composition Resistors



Part No.	Watts	Ohms	Length	Descriptions
AAA232FM89	0.5	4.7 k	3.41"	Fixed carbon composition resistor, axial lead
232F11	0.5	5.6 k	3.41"	Fixed carbon composition resistor
AAA232FM93	0.5	6.8 k	3.41"	Fixed carbon composition resistor, axial lead formerly p/n P232F67
AAA232FM97	0.5	10 k	3.41"	Fixed carbon composition resistor, axial lead
232F15	0.5	12 k	3.41"	Fixed carbon composition resistor
AAA232FM99	0.5	12 k	3.41"	Fixed carbon composition resistor, axial lead, formerly p/n P232F93
AAA232FM101	0.5	15 k	3.41"	Fixed Fixed carbon composition resistor, axial lead, formerly p/n 232F41
232F47	0.5	22 k	3.41"	Fixed carbon composition resistor
AAA232FM105	0.5	22 k	3.41"	Fixed carbon composition resistor, axial lead, formerly p/n P232F59
232F48	0.5	27 k	3.41"	Fixed carbon composition resistor
AAA232FM107	0.5	27 k	3.41"	Fixed carbon composition resistor, axial lead, formerly p/n P232F60
AAA00232AAF001	0.5	33 k	3.38"	Fixed carbon composition resistor

Controller Related Components: Resistors

Fixed Carbon Composition Resistors



Part No.	Watts	Ohms	Length	Descriptions
AAA232FM109	0.5	33 κ	3.41"	Fixed carbon composition resistor, axial lead, formerly p/n P232F75
232F3	0.5	47 κ	3.41"	Fixed carbon composition resistor
AAA232FM113	0.5	47 κ	3.41"	Fixed carbon composition resistor, axial lead, formerly p/n P232F62
232F43	0.5	56 κ	3.41"	Fixed carbon composition resistor
232F32	0.5	68 κ	3.41"	Fixed carbon composition resistor
AAA232FM119	0.5	82 κ	3.41"	Fixed carbon composition resistor, axial lead, formerly p/n P232F66
232F22	0.5	100 κ	3.41"	Fixed carbon composition resistor
232F8	0.5	120 κ	3.41"	Fixed carbon composition resistor
AAA232FM123	0.5	120 κ	3.41"	Fixed carbon composition resistor, axial lead, formerly p/n P232F64
232F30	0.5	150 κ	3.41"	Fixed carbon composition resistor
232F10	0.5	220 κ	3.41"	Fixed carbon composition resistor
AAA232FM129	0.5	220 κ	3.41"	Fixed carbon composition resistor, axial lead, formerly p/n P232F70
AAA232FM137	0.5	470 κ	3.41"	Fixed carbon composition resistor, axial lead
232F34	0.5	680 κ	3.41"	Fixed carbon composition resistor
AAA232FM145	0.5	1 M	3.41"	Fixed carbon composition resistor, axial lead

Controller Related Components: Resistors

Fixed Carbon Composition Resistors



Part No.	Watts	Ohms	Length	Descriptions
AAA232FM147	0.5	1.2 M	3.41"	Fixed carbon composition resistor, axial lead, formerly p/n P232F113
232F12	0.5	1.5 M	3.41"	Fixed carbon composition resistor
232F37	0.5	1.5 M	3.41"	Fixed carbon composition resistor
232F25	0.5	2.7 M	3.41"	Fixed carbon composition resistor
232F2	0.5	6.8 M	3.41"	Fixed carbon composition resistor
AAA232FM169	0.5	10 M	3.41"	Fixed carbon composition resistor, axial lead, formerly p/n P232F1
232F13	0.5	22 M	3.41"	Fixed carbon composition resistor
AAA232FN11	1	2.7	3.59"	Fixed carbon composition resistor, axial lead
AAA232FN13	1	3.3	3.59"	Fixed carbon composition resistor, axial lead
AAA232FN19	1	5.6	3.59"	Fixed carbon composition resistor, axial lead
AAA232FN51	1	120	3.59"	Fixed carbon composition resistor, axial lead
AAA232FN56	1	200	3.59"	Fixed carbon composition resistor, axial lead, formerly p/n P232FF1

Controller Related Components: Resistors

Fixed Carbon Composition Resistors



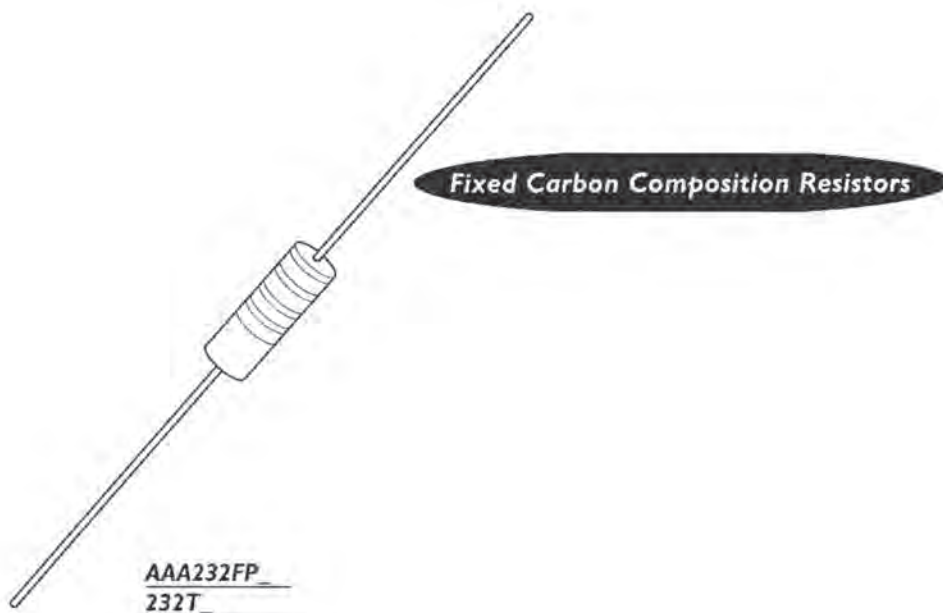
Part No.	Watts	Ohms	Length	Descriptions
AAA232FN73	1	1 k	3.59"	Fixed carbon composition resistor, axial lead
AAA232FN77	1	1.5 k	3.59"	Fixed carbon composition resistor, axial lead
AAA232FN83	1	2.7 k	3.59"	Fixed carbon composition resistor, axial lead
AAA232FN85	1	3.3 k	3.59"	Fixed carbon composition resistor, axial lead
AAA232FN89	1	4.7 k	3.59"	Fixed carbon composition resistor, axial lead, formerly p/n P232G33
AAA232FN95	1	8.2 k	3.59"	Fixed carbon composition resistor, axial lead, formerly p/n 232G6
AAA232FN97	1	10 k	3.59"	Fixed carbon composition resistor, axial lead
AAA232FN103	1	18 k	3.59"	Fixed carbon composition resistor, axial lead, formerly p/n P232G31
AAA232FN105	1	22 k	3.59"	Fixed carbon composition resistor, axial lead
AAA232FN109	1	33 k	3.59"	Fixed carbon composition resistor, axial lead
AAA232FN111	1	39 k	3.59"	Fixed carbon composition resistor, axial lead
AAA232FN113	1	47 k	3.59"	Fixed carbon composition resistor, axial lead, formerly p/n 232G15

Controller Related Components: Resistors



Part No.	Watts	Ohms	Length	Descriptions
AAA232FN121	1	100 κ	3.59"	Fixed carbon composition resistor, axial lead, formerly p/n P232G28
AAA232FN142	1	750 κ	3.59"	Fixed carbon composition resistor, axial lead, formerly p/n P232G41
AAA232FN147	1	1.2 M	3.59"	Fixed carbon composition resistor, axial lead
AAA232FN166	1	7.5 M	3.59"	Fixed carbon composition resistor, axial lead
AAA232FP1	2	10	3.72"	Fixed carbon composition resistor, axial lead, formerly p/n P232T30
AAA232FP10	2	24	3.72"	Fixed carbon composition resistor, axial lead
AAA232FP32	2	200	3.72"	Fixed carbon composition resistor, axial lead
AAA232FP33	2	220	3.72"	Fixed carbon composition resistor, axial lead
232T22	2	270	3.72"	Fixed carbon composition resistor
232T6	2	470	3.72"	Fixed carbon composition resistor
AAA232FP43	2	560	3.72"	Fixed carbon composition resistor, axial lead
232T2	2	1 κ	3.72"	Fixed carbon composition resistor
AAA232FP53	2	1.5 κ	3.72"	Fixed carbon composition resistor, axial lead

Controller Related Components: Resistors



Part No.	Watts	Ohms	Length	Descriptions
AAA232FP56	2	2 κ	3.72"	Fixed carbon composition resistor, axial lead, formerly p/n P232T50
232T11	2	3.3 κ	3.72"	Fixed carbon composition resistor
AAA232FP62	2	3.6 κ	3.72"	Fixed carbon composition resistor, axial lead
232T3	2	3.9 κ	3.72"	Fixed carbon composition resistor
AAA232FP65	2	4.7 κ	3.72"	Fixed carbon composition resistor, axial lead
232T21	2	4.7 κ	3.72"	Fixed carbon composition resistor
AAA232FP66	2	5.1 κ	3.72"	Fixed carbon composition resistor, axial lead
AAA232FP67	2	5.6 κ	3.72"	Fixed carbon composition resistor, axial lead
AAA232FP69	2	6.8 κ	3.72"	Fixed carbon composition resistor, axial lead
232T10	2	6.8 κ	3.72"	Fixed carbon composition resistor
AAA232FP71	2	8.2 κ	3.72"	Fixed carbon composition resistor, axial lead
AAA232FP73	2	10 κ	3.72"	Fixed carbon composition resistor, axial lead
232T12	2	10 κ	3.72"	Fixed carbon composition resistor, formerly p/n P232T12
AAA232FP75	2	12 κ	3.72"	Fixed carbon composition resistor, axial lead, formerly p/n P232T36

Controller Related Components: Resistors

Fixed Carbon Composition Resistors



Part No.	Watts	Ohms	Length	Descriptions
----------	-------	------	--------	--------------

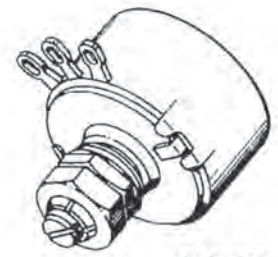
AAA232FP79	2	18 k	3.72"	Fixed carbon composition resistor, axial lead
AAA232FP80	2	20 k	3.72"	Fixed carbon composition resistor, axial lead
232T1	2	22 k	3.72"	Fixed carbon composition resistor
232T4	2	47 k	3.72"	Fixed carbon composition resistor
AAA232FP90	2	51 k	3.72"	Fixed carbon composition resistor, axial lead
AAA232FP94	2	75 k	3.72"	Fixed carbon composition resistor, axial lead
232T45	2	470	3.72"	Kit, consisting of 232T6 fixed carbon composition resistor, sleeving, & (2) 187AM2 terminals
232T46	2	47 k	3.72"	Kit, consisting of 232T4 fixed carbon composition resistor, sleeving, & (2) 187AM2 terminals

Controller Related Components: Resistors

Misc. Resistors



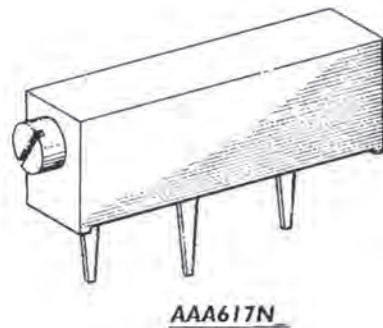
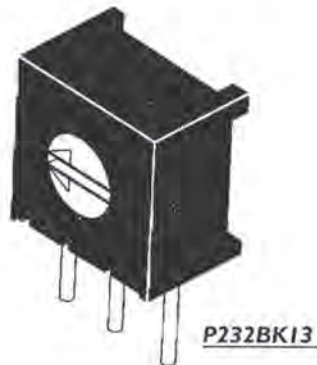
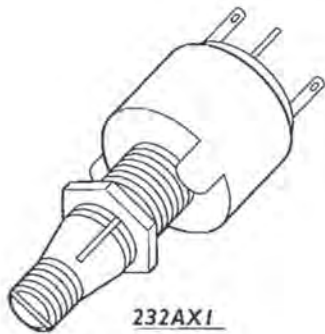
Potentiometers



Part No.	Watts	Ohms	Length	Descriptions
P232AW21	0.25	47 k	2.25"	Fixed resistor
ES3-371-007	-	250	-	Resistor, used in car top control station for ESCO hydraulic freight elevators.
ES3-371-031	-	1.5 k	-	Resistor, used in car top control station for ESCO hydraulic freight elevators.
P232BK2	0.25	3 k	0.59" DIA.	Potentiometer
P232BK1	0.25	10 k	0.59" DIA.	Potentiometer
P232EE6	0.25	10 k	0.59" DIA.	Potentiometer, composition trimmer, w/ In-line terminals, 0.17 centers
232BD1	0.5	50 k	0.81"	Potentiometer, w/ locking shaft

Controller Related Components: Resistors

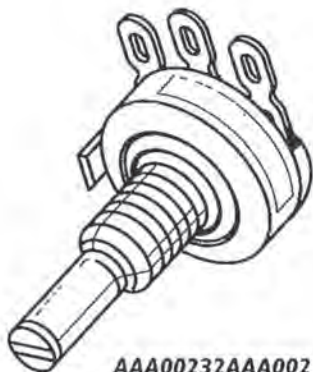
Potentiometers



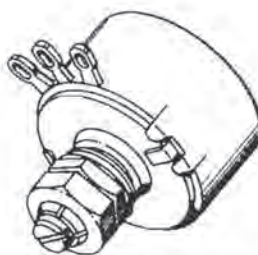
Part No.	Watts	Ohms	Length	Descriptions
232AX1	0.5	100 k	1.33"	Potentiometer, molded composition, w/ locking shaft
P232BK13	0.5	1 M	0.38"	Potentiometer, cermet, side adjust
AAA617N11	0.75	500	0.75"	Potentiometer, adjustable, rectangular
AAA617N37	0.75	2 M	0.75"	Potentiometer, opaque thermoplastic, adjustable, rectangular, formerly p/n P232BE3

Controller Related Components: Resistors

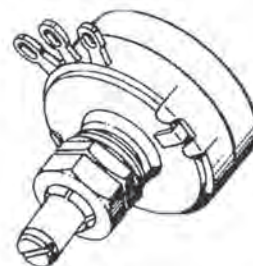
Potentiometers



AAA00232AAA002
P232DK



232W

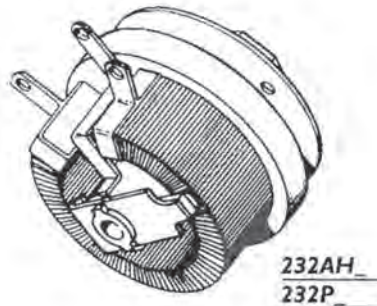


P232DY1

Part No.	Watts	Ohms	Length	Descriptions
AAA00232AAA002	2	500	0.92"	Potentiometer, assembled w/ AAA00232AAA001 & AAA00174AAL003 , bourns p/n 3852A282501A
232W10	2	2.50 K	1.16" DIA.	Potentiometer, carbon composition, w/ locking shaft
232W8	2	10 K	1.16" DIA.	Potentiometer, carbon composition, w/ locking shaft
232W6	2	25 K	1.16" DIA.	Potentiometer, carbon composition, w/ locking shaft
232W3	2	100 K	1.16" DIA.	Potentiometer, carbon composition, w/ locking shaft
P232DK3	2	250 K	0.75" DIA.	Potentiometer, cermet
232W1	2	250 K	1.16" DIA.	Potentiometer, carbon composition, w/ (2) mounting nuts
P232DK1	2	1 M	0.75" DIA.	Potentiometer, cermet
P232DK6	2	2 M	0.75" DIA.	Potentiometer, cermet
P232DK2	2	3.5 M	0.75" DIA.	Potentiometer, cermet
232W4	2	5 M	1.16" DIA.	Potentiometer, carbon composition, w/ (2) mounting nuts
P232DY1	12.5	25	1.56" DIA.	Potentiometer, wirewound

Controller Related Components: Resistors

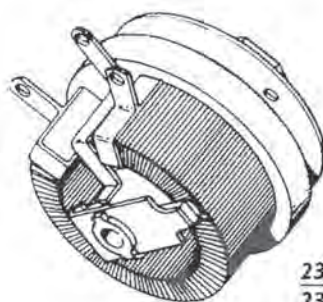
Rheostats



Part No.	Watts	Ohms	Length	Descriptions
232AH4	25	35	1.63" DIA.	Rheostat, vitreous enamel, wirewound, w/ shaft locking device, w/out dial
232AH1	25	2.5 K	1.63" DIA.	Rheostat, vitreous enamel, wirewound, w/ shaft locking device, w/out dial
232AH3	25	5 K	1.63" DIA.	Rheostat, vitreous enamel, wirewound, w/ shaft locking device, w/out dial
232P7	50	22	2.41" DIA.	Rheostat, wirewound, w/ locking shaft & dial
232P3	50	35	2.41" DIA.	Rheostat, wirewound, w/ locking shaft & dial
232P5	50	50	2.41" DIA.	Rheostat, wirewound, w/ locking shaft & dial
232P4	50	80	2.41" DIA.	Rheostat, wirewound, w/ locking shaft & dial
232P8	50	150	2.41" DIA.	Rheostat, wirewound, w/ locking shaft & dial
232P2	50	300	2.41" DIA.	Rheostat, wirewound, w/ locking shaft & dial
232P12	50	500	2.41" DIA.	Rheostat, wirewound, w/ locking shaft & dial
232P20	50	500	2.41" DIA.	Rheostat, wirewound, w/ dial & knob

Controller Related Components: Resistors

Rheostats



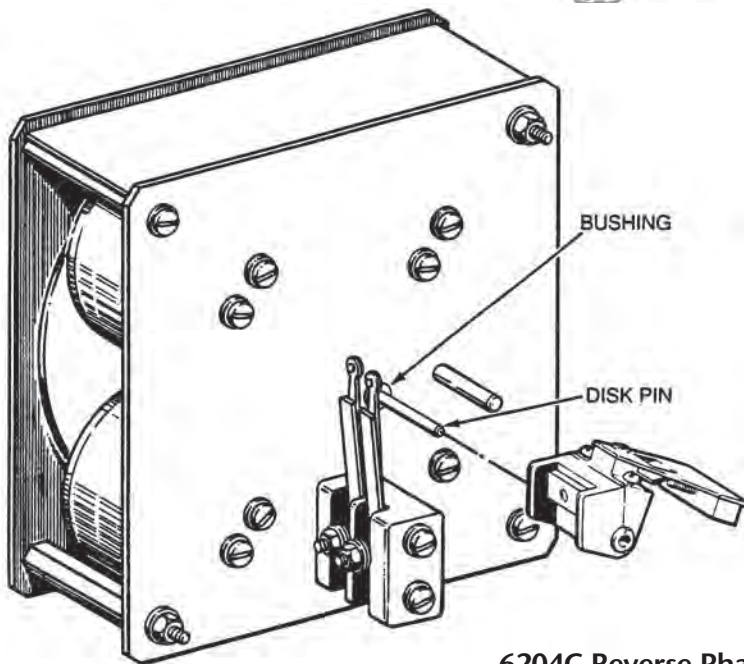
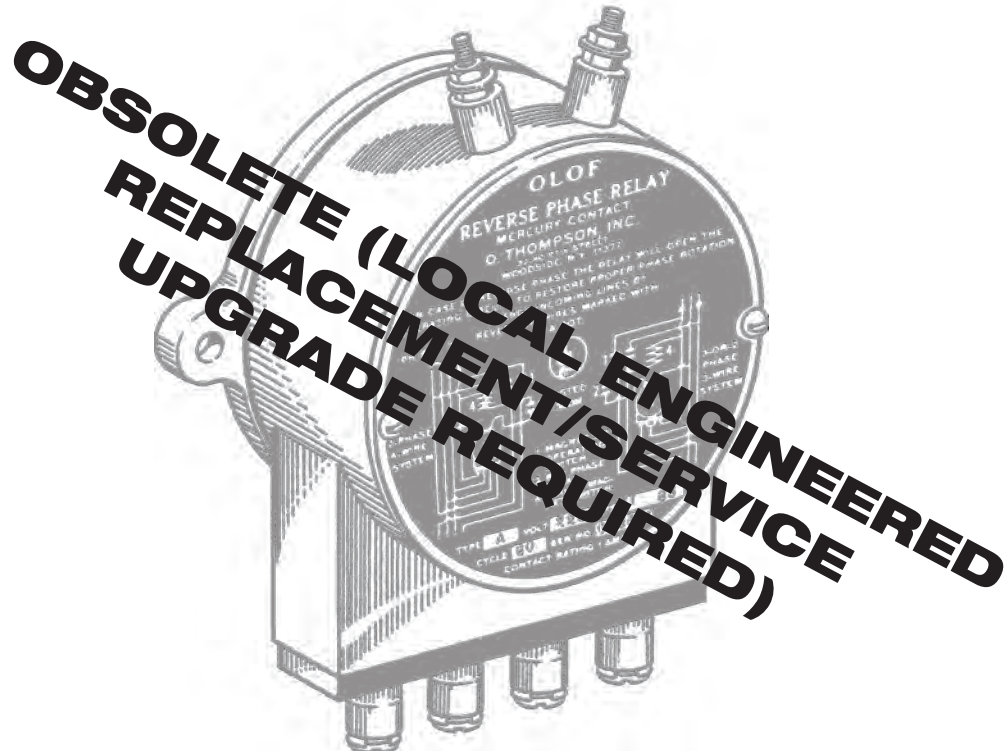
232P
232C
232Z
232AB

Part No.	Watts	Ohms	Length	Descriptions
232P13	50	800	2.41" DIA.	Rheostat, wirewound, w/ locking shaft & dial
232P21	50	800	2.41" DIA.	Rheostat, wirewound, w/ dial & knob
232P14	50	1 K	2.41" DIA.	Rheostat, wirewound, w/ locking shaft & dial
232P22	50	1 K	2.41" DIA.	Rheostat, wirewound, w/ dial & knob
232P18	50	2.5 K	2.41" DIA.	Rheostat, wirewound, w/ dial & knob
232P19	50	3.5 K	2.41" DIA.	Rheostat, wirewound, w/ dial & knob
232C6	100	10	3.13" DIA.	Rheostat, wirewound, w/ locking shaft & dial
232C3	100	50	3.13" DIA.	Rheostat, wirewound, w/ locking shaft & dial
232C8	100	100	3.13" DIA.	Rheostat, wirewound, w/ locking shaft & dial
232C10	100	200	3.13" DIA.	Rheostat, wirewound, w/ locking shaft & dial
232Z7	150	50	4.03" DIA.	Rheostat, w/ Locking shaft & dial
232Z9	150	100	4.03" DIA.	Rheostat, w/ Locking shaft & dial
232AB6	225	100	5.00" DIA.	Rheostat, wirewound, ohmite p/n RPS100
232AB7	225	200	5.00" DIA.	Rheostat, wirewound, ohmite p/n RPS200

Controller Related Components: Appendix

Vintage Reverse Phase Relays (Obsolete: OLOF & 6204 type)

OLOF Reverse Phase Relay



6204C Reverse Phase Relay

Use: 613BY22 for 110 - 130 VAC, 3-Phase, 60Hz applications

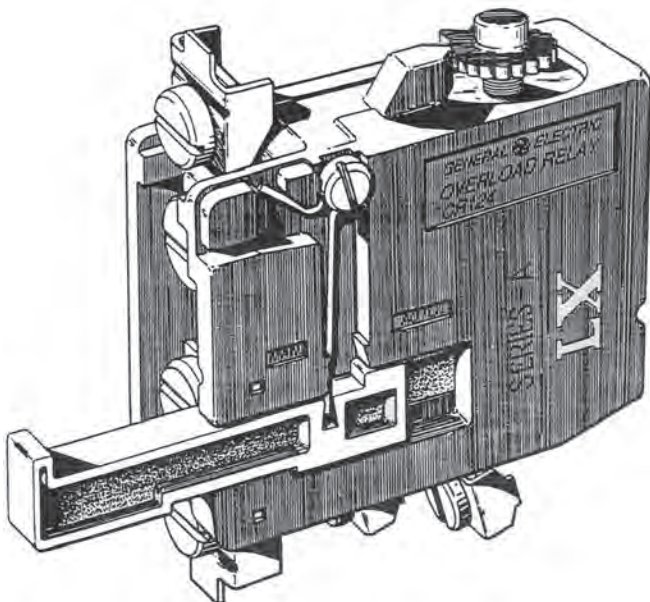
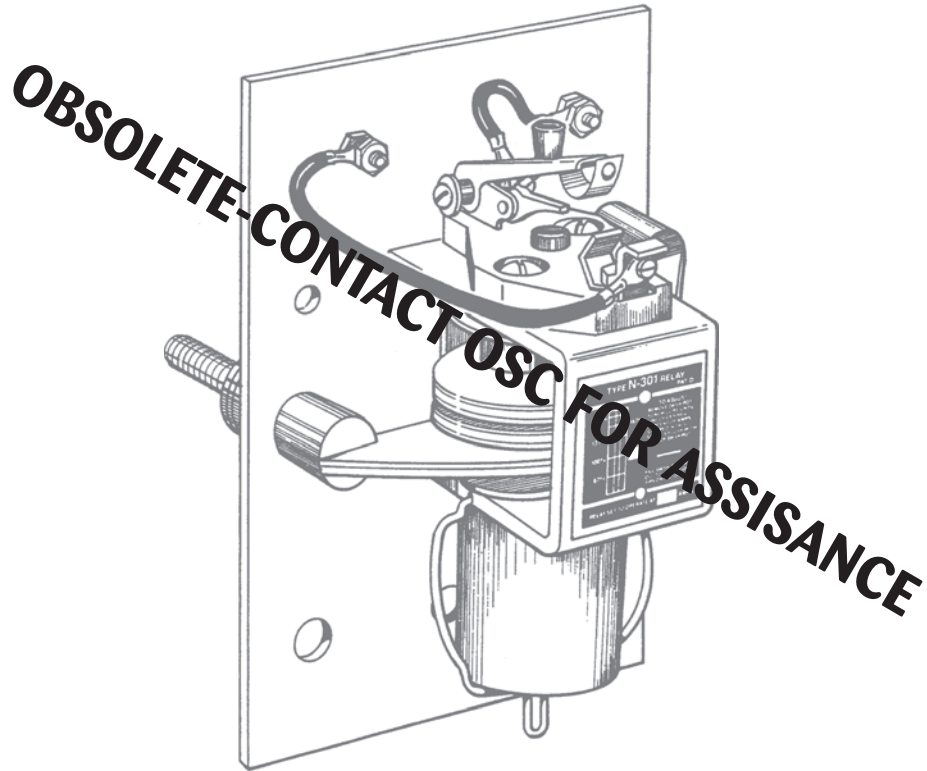
Use: 613BY23 for 200 - 480 VAC, 3-Phase, 60Hz applications

Use: 613BY24 for 500 - 600 VAC, 3-Phase, 60Hz applications

Controller Related Components: Appendix

Vintage Overload Relays – Dashpot and Thermal

N-301 Overload Relay



6315P Thermal Overload Relay
(*NOTE):

6315P1 thru P7 still available through OSC. Before calling OSC, please retrieve any and all markings from this thermal overload off the device, the designation for the failed device as it appears on the local wiring diagram for that particular elevator, and the Otis Sales number and address of the installation.