

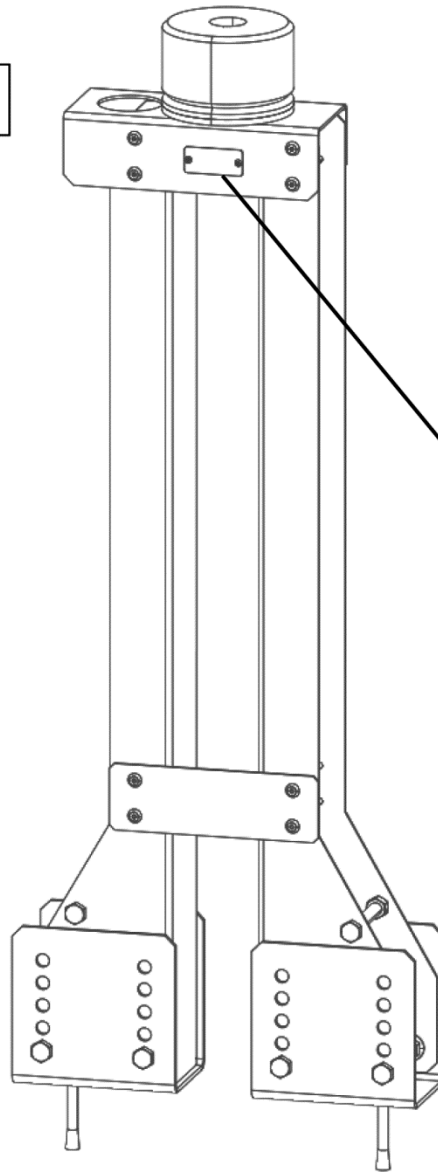
Buffer Assembly

Spare Parts Leaflet

03-AAA22500P

June 29, 2016 / Page 1 of 3

W/O VINTAGE



Buffer Data Plate
Information

SPRING P/N
STROKE
MIN LOAD
MAX LOAD

OTIS

SERVICE ENGINEERING
Otis Elevator Company
Bloomfield, Connecticut USA

Unpublished Work—© Otis Elevator Co.; 2016

Leaflet Description

This leaflet provides parts information for the AAA22500P buffer assembly first used on HydroFit elevator systems.

Leaflet Revisions

Date Revised	Subject Matter Expert	Reason for Revision
August 7, 2013	Troy Chicoine	New SPL
June 29, 2016	Troy Chicoine	Added p/n FAA320R3 in ref. 2 on p. 3

Related Drawings

Drawing No.	Title	Drawing No.	Title
AAA22500P	Buffer Assembly, Car		

Related Documents

Document ID	Title
SPL 03-FAA320R	Buffer

Subject Matter Expert

Name	Department
Troy Chicoine	OSC Service Engineering

About Spare Parts Leaflets...

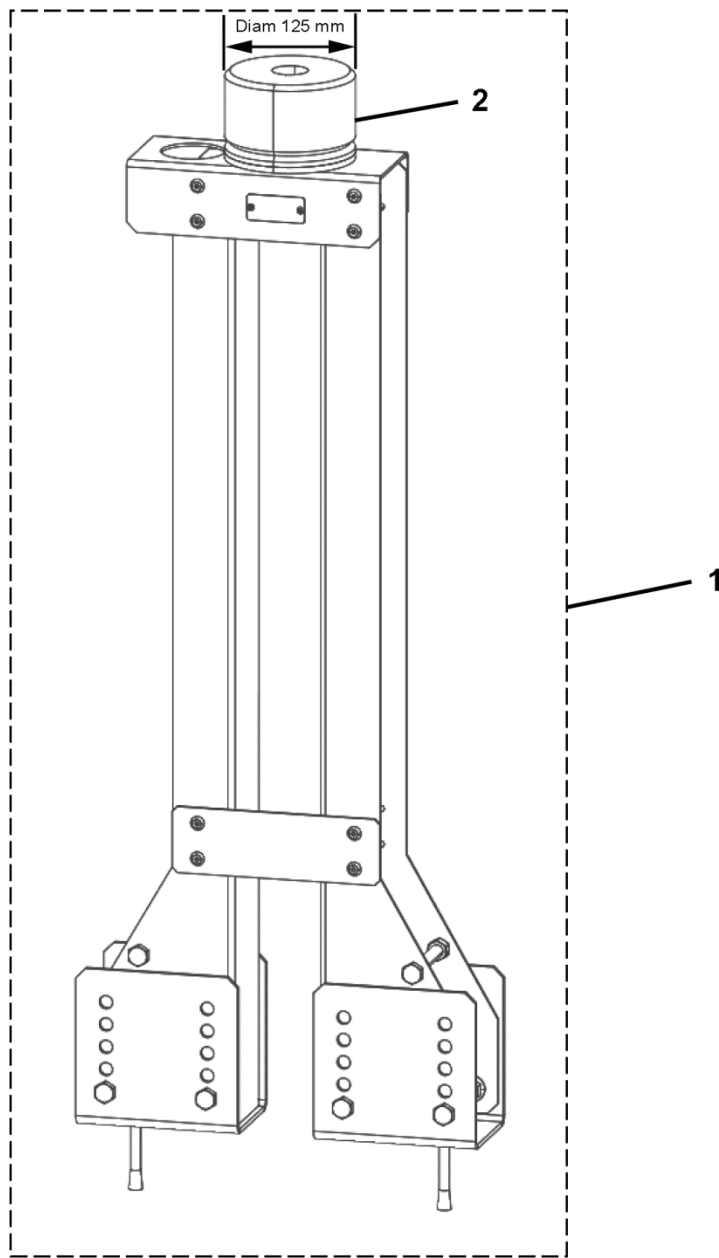
This document lists the lowest replaceable units (LRUs) for the standard version of the product. The LRUs are chosen by a team of Otis associates representing engineering and manufacturing.

While goal of this document is to make parts identification as easy as possible, the document cannot be all-inclusive. Elevator and escalator contracts classified as “special” or “custom” are not addressed here. For such contracts, please refer to specified information, the contract folder, TIPs, Field Education Articles, Construction Letters, etc. for further information.

If you have any suggestions about this document, please contact the subject matter expert listed on this page.

Buffer Stand

03-AAA22500P



W/O VINTAGE					
REF. NO.	PART No.	DESCRIPTION	DUTY LOAD (lb.)	STRIKING LOAD (lb.)	PIT DEPTH (in.)
1	AAA22500P1	Assembly, Buffer	2100–3500	≤ 5500	48
	AAA22500P2				60
	AAA22500P3				72
2	FAA320R2 FAA320R3	Buffer (for more information, 👁 03-FAA320R)	---	---	---