

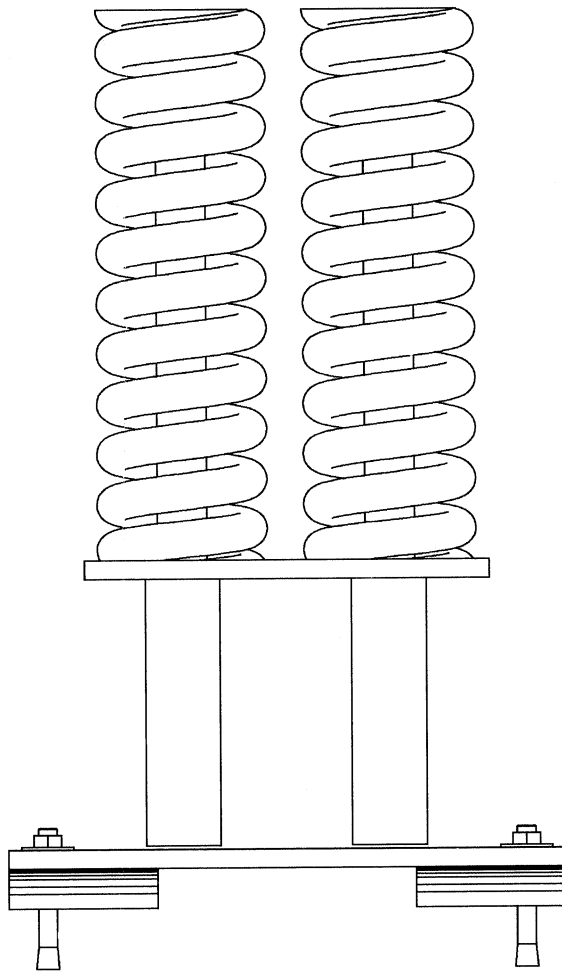
Buffer

Spare Parts Leaflet

03-AAA22501A

January 1, 2000 / Page 1 of 3

**W/O
VINTAGE**



Unpublished Work—© Otis Elevator Co.; 2000

OTIS

Safety First!

SERVICE ENGINEERING

Otis Elevator Company
Bloomfield, Connecticut USA

History
03-AAA22501A
First Published: January 1, 2000

Buffer

REVISED DATE	RESPONSIBLE ENGINEER	PRIMARY REASON FOR REVISION
January 1, 2000	Troy Chicoine	New Leaflet, Initial Release

Leaflet Description

This leaflet provides spare parts information for type AAA22501A buffer arrangement.

RELATED LEAFLET NUMBERS	TITLES
---	---

DRAWING REFERENCES
AAA22501A
ABA26ABB

RELATED DOCUMENT NUMBERS	TITLES
---	---

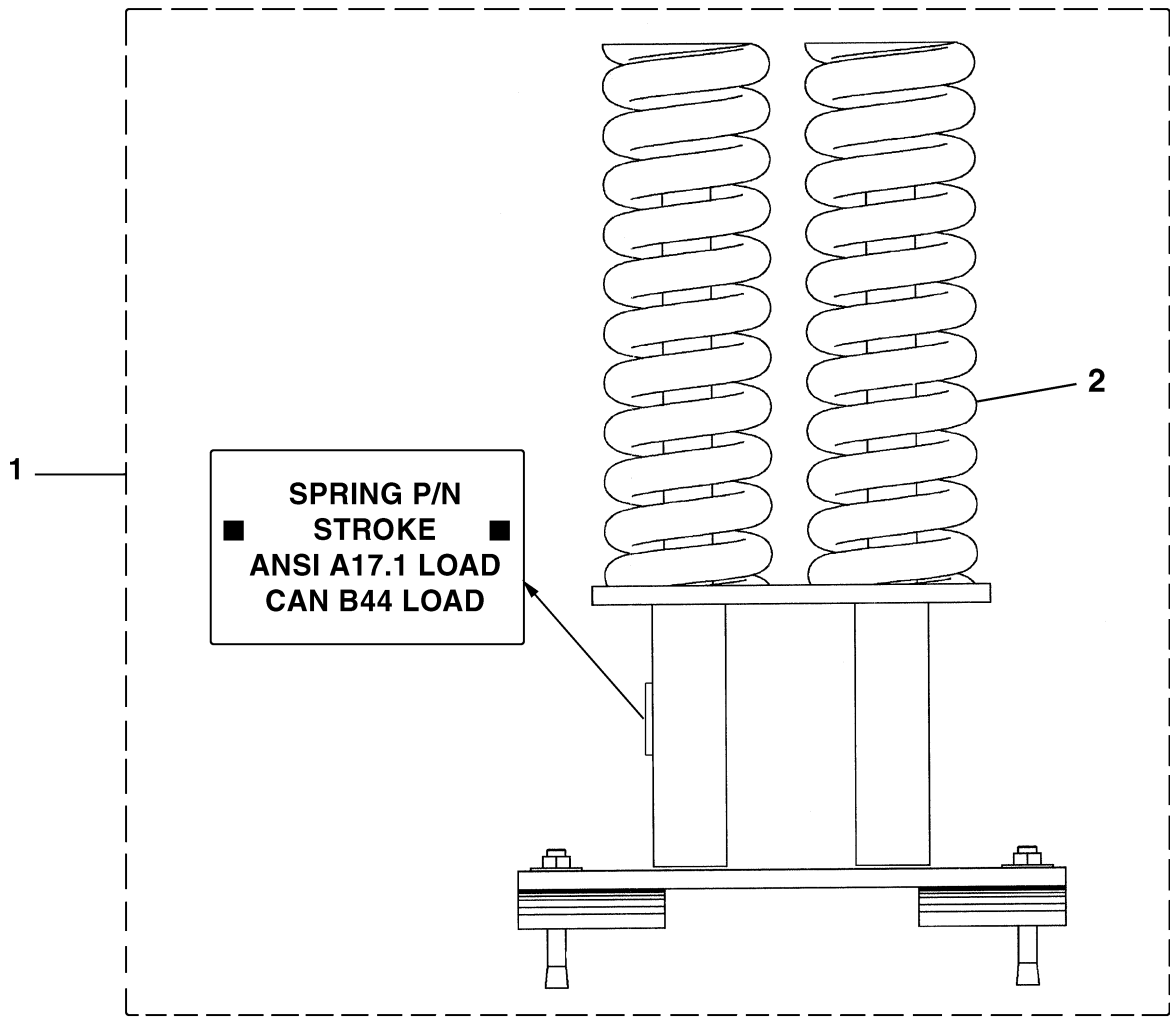
This Spare Parts Leaflet (SPL) is prepared to assist you in determining the Lowest Replaceable Units (LRU) supported by the Otis Service Center for the standard version of the product titled on the preceding page. The parts are chosen by Otis associates from: Engineering, Field Engineering, Service Engineering, and Manufacturing. We attempt to make part identification as easy as possible. The SPL, however, cannot be all inclusive. Elevator and escalator contracts classified as either "special" or "custom" are not addressed. Alternative sources of information such as: the Contract Folder, Technical Information Publications, Field Education Articles, Construction Letters, etc. may give the information you are after. You live in the real world of maintaining your elevator and escalator contracts. On a daily basis, situations arise regarding parts identification and at times, for some reason, the part you need is not in the SPL. If you think a standard part not listed should be—let us know. We will respond.

--

Troy Chicoine—OSC Service Engineering

Type AAA22501A Buffer Arrangement

03-AAA22501A



REF. NO.	W/O VINTAGE PART or ML	DESCRIPTION	LOAD ON SAFETY (LOS)	APPLICATION
1	AAA22501A1	Assembly, Buffer, 4.25 in. Stroke	0-5300 #	USA & Canada Except Ontario
	AAA22501A2		5301-8000 #	
	AAA22501A3		8001-9500 #	
	AAA22501A7		0-5300 #	Ontario
	AAA22501A4		5301-8000 #	
	AAA22501A5		8001-9500 #	
2	90AL2	Spring, 5.75 in. O.D. x 1.25 in. Wire \varnothing x 18.625 in. Long		
	90ND5	Spring, 3.625 in. O.D. x 0.812 in. Wire \varnothing x 18.5 in. Long		
	90RD12	Spring, 4.50 in. O.D. x 0.875 in. Wire \varnothing x 18.75 in. Long		
	90TD4	Spring, 4.50 in. O.D. x 1.0 in. Wire \varnothing x 18.5 in. Long		