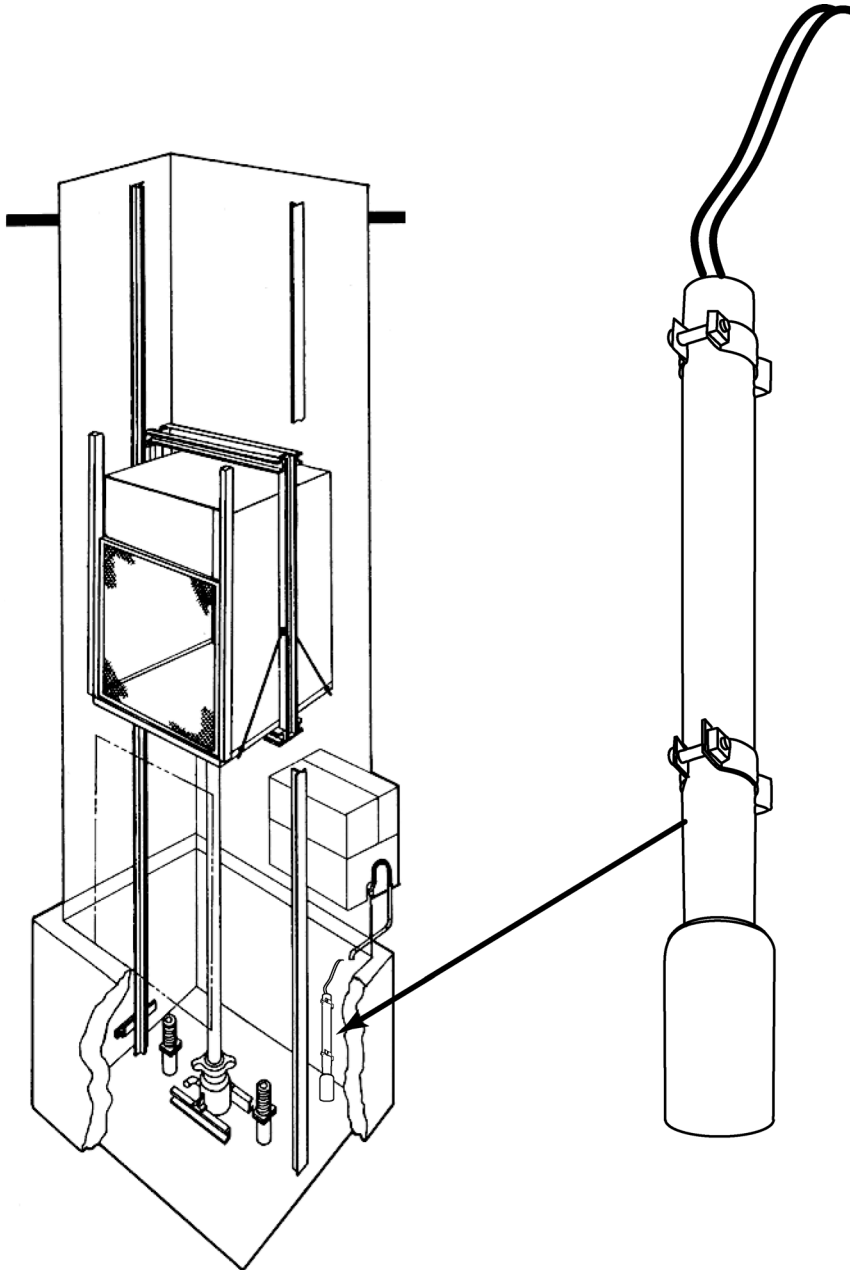


**LVM
Flood Plain Switch**

Spare Parts Leaflet

03-AAA22800AF

May 16, 2012 / Page 1 of 3



**W/O
VINTAGE**

Unpublished Work—© Otis Elevator Co.; 2012

OTIS

Safety First!

SERVICE ENGINEERING

Otis Elevator Company

Bloomfield, Connecticut USA

Leaflet Description

The SPL lists the lowest replaceable parts for the flood float switch assembly.

Leaflet Revisions

Date Revised	Subject Matter Expert	Reason for Revision
March 10, 2008	Jeff Holmes	New SPL.
May 16, 2012	Ali Bozorgzadeh	Added p/n AAA22800AF1 on p. 3

Related Drawings

Drawing No.	Title	Drawing No.	Title
AAA22800AF	Assembly, Flood Float Switch	AAA22800AE	Flood Float Switch
AAA389CQ	Hanger w/Bolt		

Related Documents

Document ID	Title
CL 2007-09	Construction Letter, LVM Flood Plain Float Switch Operation

Subject Matter Expert

Name	Department
Ali Bozorgzadeh	OSC Electrical Engineering

About Spare Parts Leaflets...

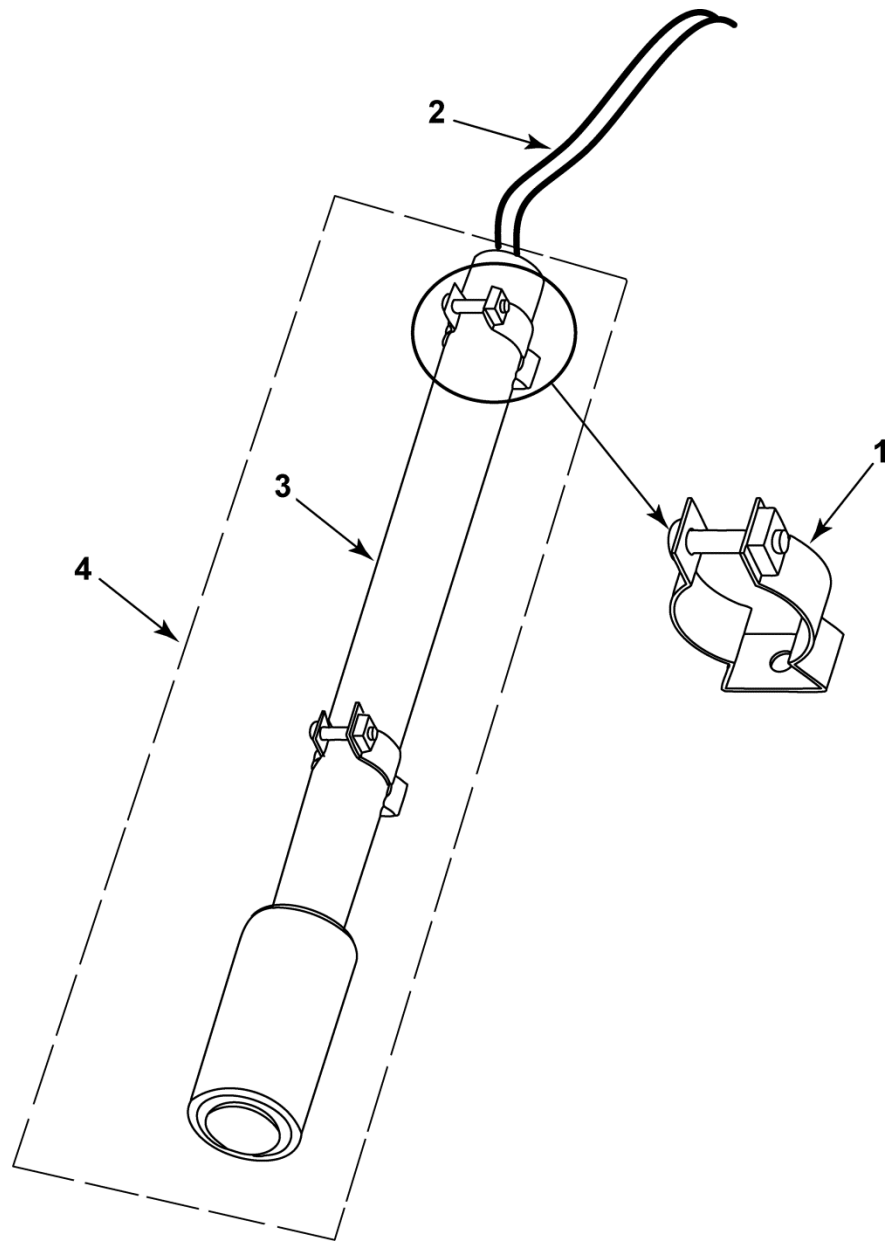
This document lists the lowest replaceable units (LRUs) for the standard version of the product. The LRUs are chosen by a team of Otis associates representing engineering and manufacturing.

While goal of this document is to make parts identification as easy as possible, the document cannot be all-inclusive. Elevator and escalator contracts classified as "special" or "custom" are not addressed here. For such contracts, please refer to specified information, the contract folder, TIPs, Field Education Articles, Construction Letters, etc. for further information.

If you have any suggestions about this document, please contact the subject matter expert listed on this page.

Flood Plain Switch

03-AAA22800AF



W/O VINTAGE

REF. No.	PART No.	DESCRIPTION
1	AAA389CQ1	Hanger (mounting bracket) w/Bolt, 1.0 in. dia.
2	AAA21602K35	Harness, Wire (flood switch)
3	AAA22800AE1	Switch, Float
4	AAA22800AF1	Switch, Float and Mounting Clamps