

# HydroRise® Plunger and Cylinder Assembly

Spare Parts Leaflet

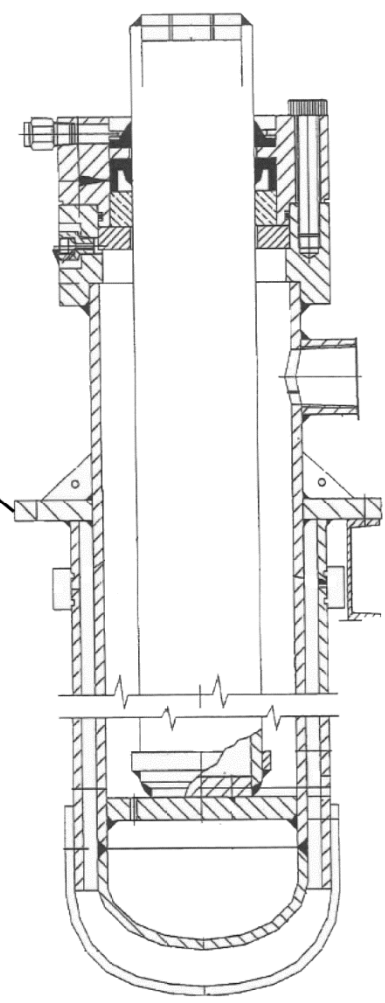
03-AAA22822F

May 16, 2018 / Page 1 of 6

03	R-AAA22822F990
----	----------------

FOR PACKING REPLACEMENT, USE AAA22822F500  
FOR SEAL REPLACEMENT, USE ---

LABEL P/N: AAA102AB011



This document does not contain any technical data subject to EAR or ITAR

SERVICE ENGINEERING  
Otis Elevator Company  
Bloomfield, Connecticut USA  
Unpublished Work—© Otis Elevator Co.; 2018

## Leaflet Description

This leaflet provides spare parts information for single stage HydroRise® jack assemblies.

### Leaflet Revisions

Date Revised	Subject Matter Expert	Reason for Revision
September 14, 2016	Ethan Poe	New SPL
May 16, 2018	Troy Chicoine	Updated p. 6

### Related Drawings

Drawing No.	Title	Drawing No.	Title
AAA22822F	Plunger, One stage, Hydro		

### Related Documents

Document ID	Title

### Subject Matter Expert

Name	Department
Troy Chicoine	OSC Service Engineering

### About Spare Parts Leaflets...

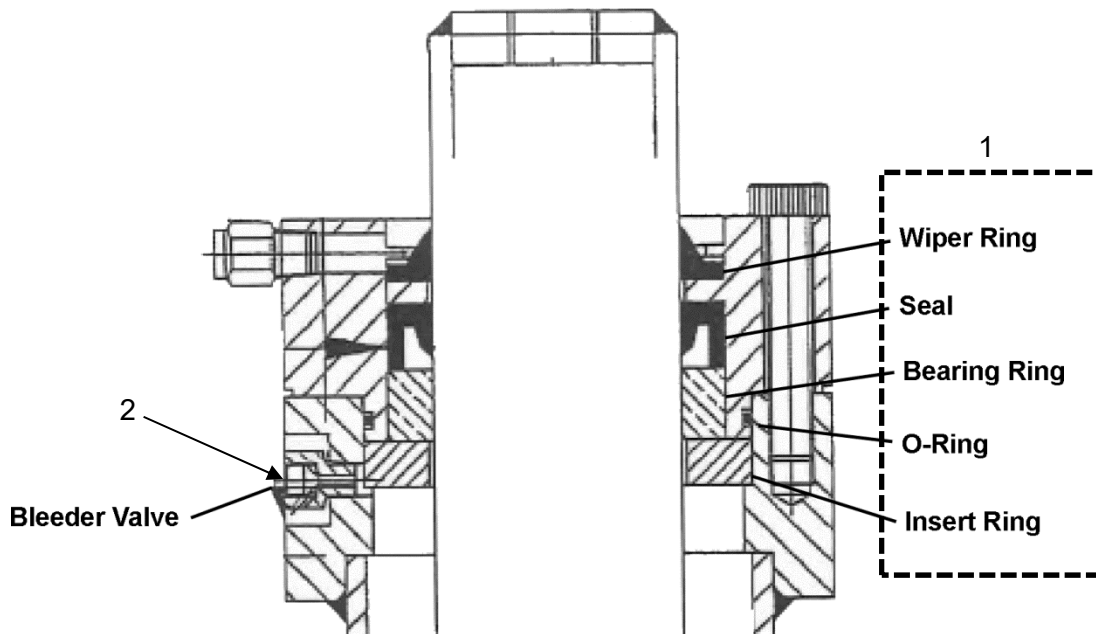
This document lists the lowest replaceable units (LRUs) for the standard version of the product. The LRUs are chosen by a team of Otis associates representing engineering and manufacturing.

While goal of this document is to make parts identification as easy as possible, the document cannot be all-inclusive. Elevator and escalator contracts classified as “special” or “custom” are not addressed here. For such contracts, please refer to specified information, the contract folder, TIPs, Field Education Articles, Construction Letters, etc. for further information.

If you have any suggestions about this document, please contact the subject matter expert listed on this page.

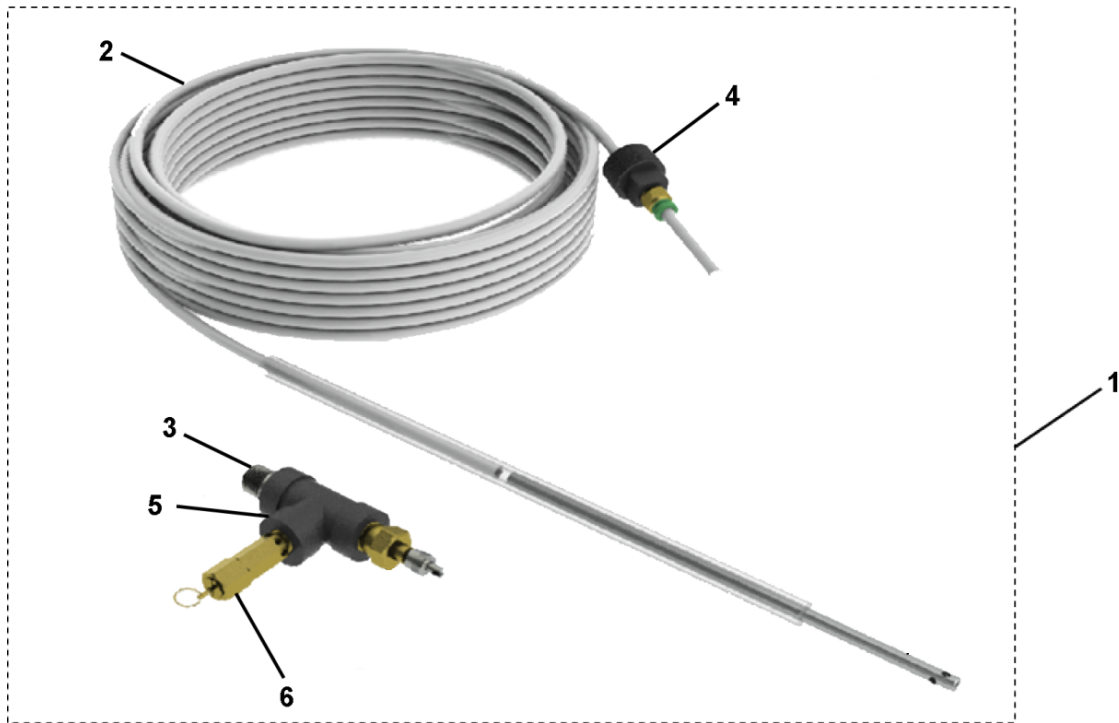
# Packing Set

03-AAA22822F



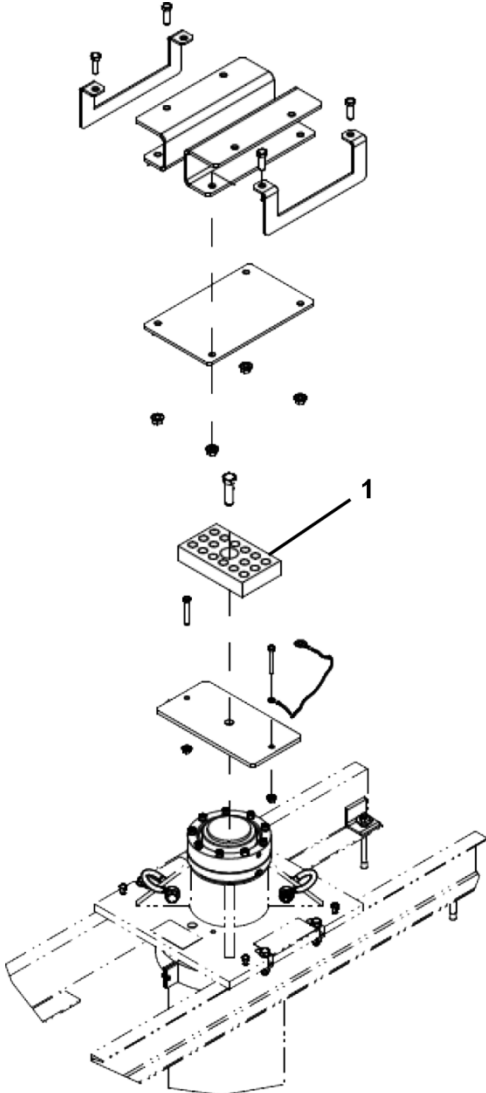
REF. No.	PART No.	DESCRIPTION	KIT CONTENTS
	AAA22822F		
1*	AAA22822F500	Kit, Packing, for 6 in. Diameter Plunger	<b>Kit Includes:</b> Wiper Ring, Seal, Bearing Ring, O-Ring, Insert Ring
	AAA22822F501	Kit, Packing, for 5.5 in. Diameter Plunger	
	AAA22822F502	Kit, Packing, for 5 in. Diameter Plunger	
2	AAA441GM1	Bleeder Valve	

\* See kit contents.

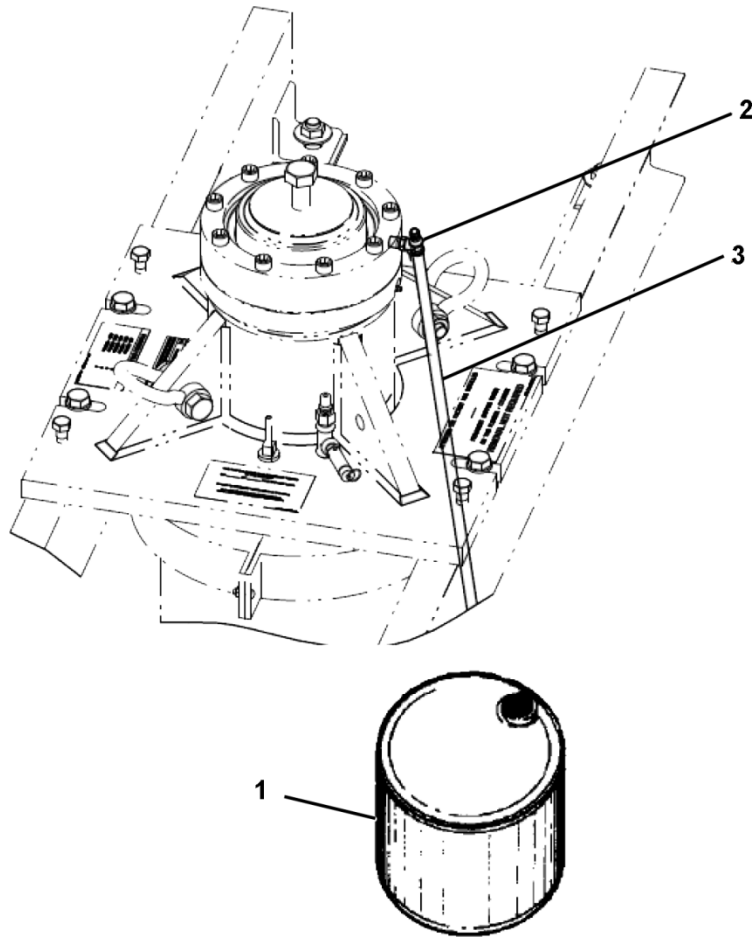


REF. No.	PART No.	DESCRIPTION
	AAA22822F	
1	AAA22822F503	Kit, Evacuation (Includes Refs. 2–6)
2*	137AP997	Nylon Tubing 1/4 in. - 0.040" wall – Specify Quantity in Feet
3	441DK19	Nipple, NPT, 1/4 in.
4	377DF4	Plug, NPT Pipe, 3/4 in.
5	377EG1	Tee, NPT Fitting, 1/4 in.
6	AAA271BH1	Valve, Pop Safety, 30 psi

\* Steel tube inserted into Ref. 2 is not included with Ref. 2. This component is included in the kit only.



	AAA22822F	
REF. No.	PART No.	DESCRIPTION
1	AAA310PJ2	Pad, Sound Isolation



VINTAGE		
REF. No.	PART No.	DESCRIPTION
1	AAA508AE1	Bucket, Translucent Hydro Pit, 5-Gallon
2	AAA441FS1	Tee, 1/4 Male NPT × 3/8 in. Tubing × 3/8 in. Tubing
3	137AP15	Tubing, Low Density Polyethylene, 1/2 in. O.D. 3/8 in. I.D., 20 ft. Long