

# Cylinder 2-Stage

## Spare Parts Leaflet

### 03-AAA22840A

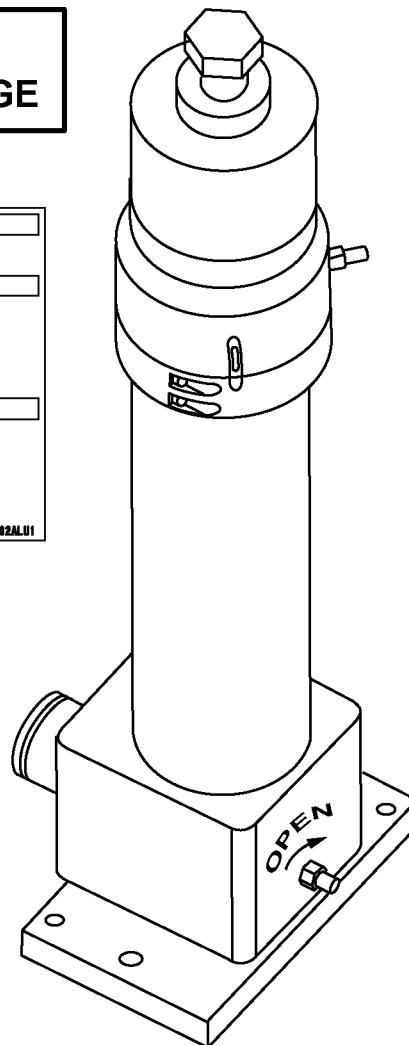
July 6, 2016 / Page 1 of 7

W/O  
VINTAGE

|  |             |              |
|--|-------------|--------------|
| 03   | R-AAA22822A | SINGLE STAGE |
| FOR PACKING REPLACEMENT USE AAA182AS1<br>FOR SEAL REPLACEMENT USE AAA33AP1                         |             |              |
| 03   | R-AAA22840A | TWO STAGE    |
| FOR EXTERNAL SEAL REPLACEMENT, USE AAA22840A501<br>FOR INTERNAL SEAL REPLACEMENT, USE AAA22840A500 |             |              |
| REMARKS:<br>LOOK FOR BLEEDER ON THE SIDE OF TOP CYLINDER HEAD                                      |             |              |
| 03   | R-AAA22840C | TWO STAGE    |
| FOR EXTERNAL SEAL REPLACEMENT, USE AAA22840C501<br>FOR INTERNAL SEAL REPLACEMENT, USE AAA22840C500 |             |              |
| REMARKS:<br>LOOK FOR BLEEDER ON THE TOP FACE OF CYLINDER HEAD                                      |             |              |

LABEL P/N: AAA102ALU1

NOTE: Component Vintage tag is located on the platen plate.



# OTIS

**SERVICE ENGINEERING**  
**Otis Elevator Company**  
**Bloomfield, Connecticut USA**

Unpublished Work—© Otis Elevator Co.; 2016

**Leaflet Description**

This leaflet details the replaceable packing and foot valve assembly for two-stage telescopic jacks produced by Leistriz. It also describes the contents of the tool kit used to install these components.

**Leaflet Revisions**

| <b>Date Revised</b> | <b>Subject Matter Expert</b> | <b>Reason for Revision</b>                       |
|---------------------|------------------------------|--|
| August 20, 2002     | Troy Chicoine                | New SPL  |
| April 11, 2003      | Troy Chicoine                | Added LRUs for AAA22840C (3000 & 3500 lb duties) |
| July 6, 2016        | Troy Chicoine                | Added p/n AAA271DM1 on p. 5                      |

**Related Drawings**

| <b>Drawing No.</b> | <b>Title</b>  | <b>Drawing No.</b> | <b>Title</b>            |
|--------------------|---|--------------------|-------------------------|
| AAA22840A          | LVT Telescopic Cylinder                                       | AAA22840C          | LVT Telescopic Cylinder |
| ACA24000N          | Assembly Carframe and Platform Direct Holeless and Telescopic |                    |                         |

**Related Documents**

| <b>Document ID</b> | <b>Title</b>                                       |
|--------------------|--|
| TIP 6.3.0-33       | Packing Replacement: Twin Two-Stage Holeless (LVT) |

**Subject Matter Expert**

| <b>Name</b>   | <b>Department</b>        |
|---------------|--------------------------|
| Troy Chicoine | Service Engineering, OSC |

**About Spare Parts Leaflets...**

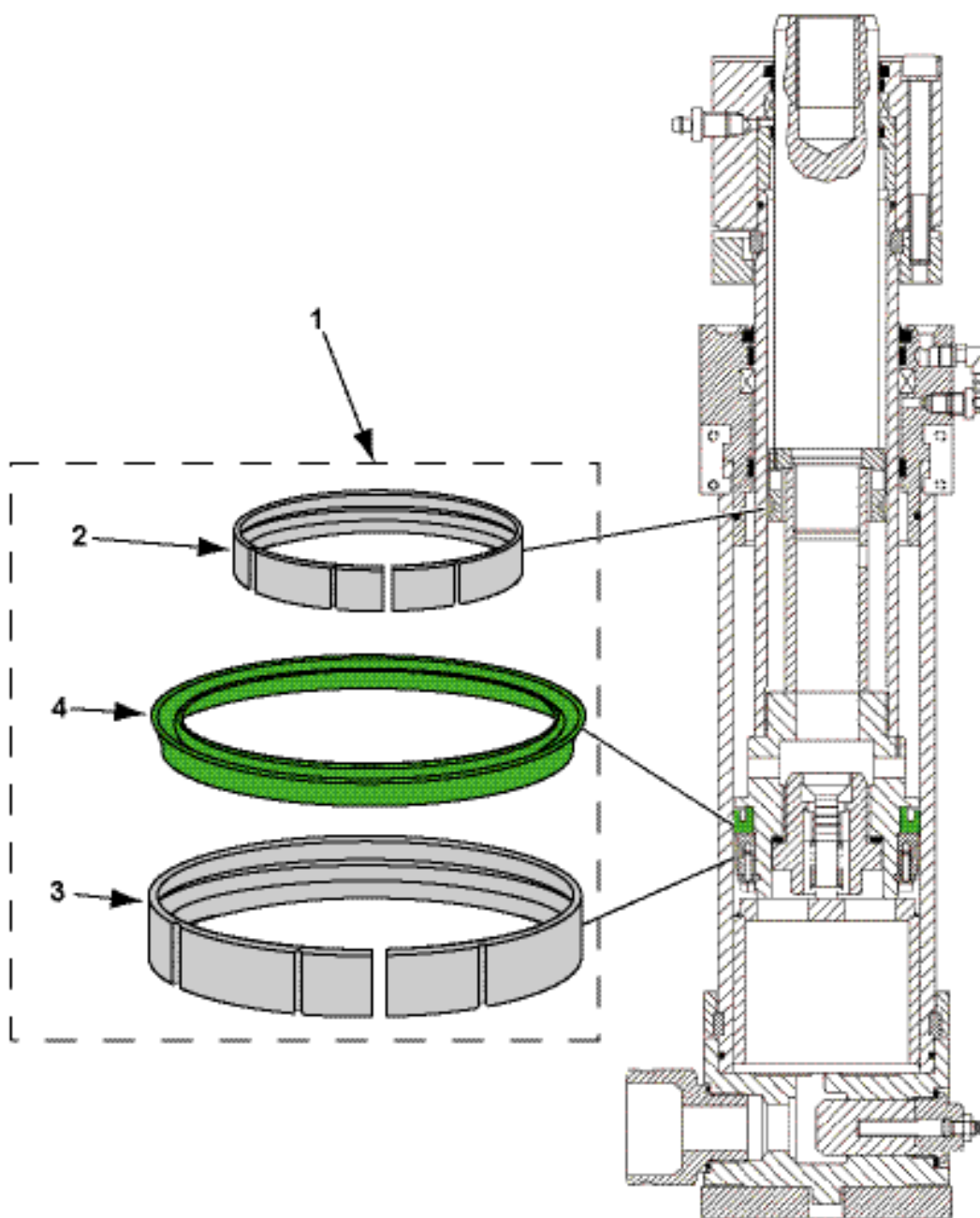
This document lists the lowest replaceable units (LRUs) for the standard version of the product. The LRUs are chosen by a team of Otis associates representing engineering and manufacturing.

While goal of this document is to make parts identification as easy as possible, the document cannot be all-inclusive. Elevator and escalator contracts classified as "special" or "custom" are not addressed here. For such contracts, please refer to specified information, the contract folder, TIPs, Field Education Articles, Construction Letters, etc. for further information.

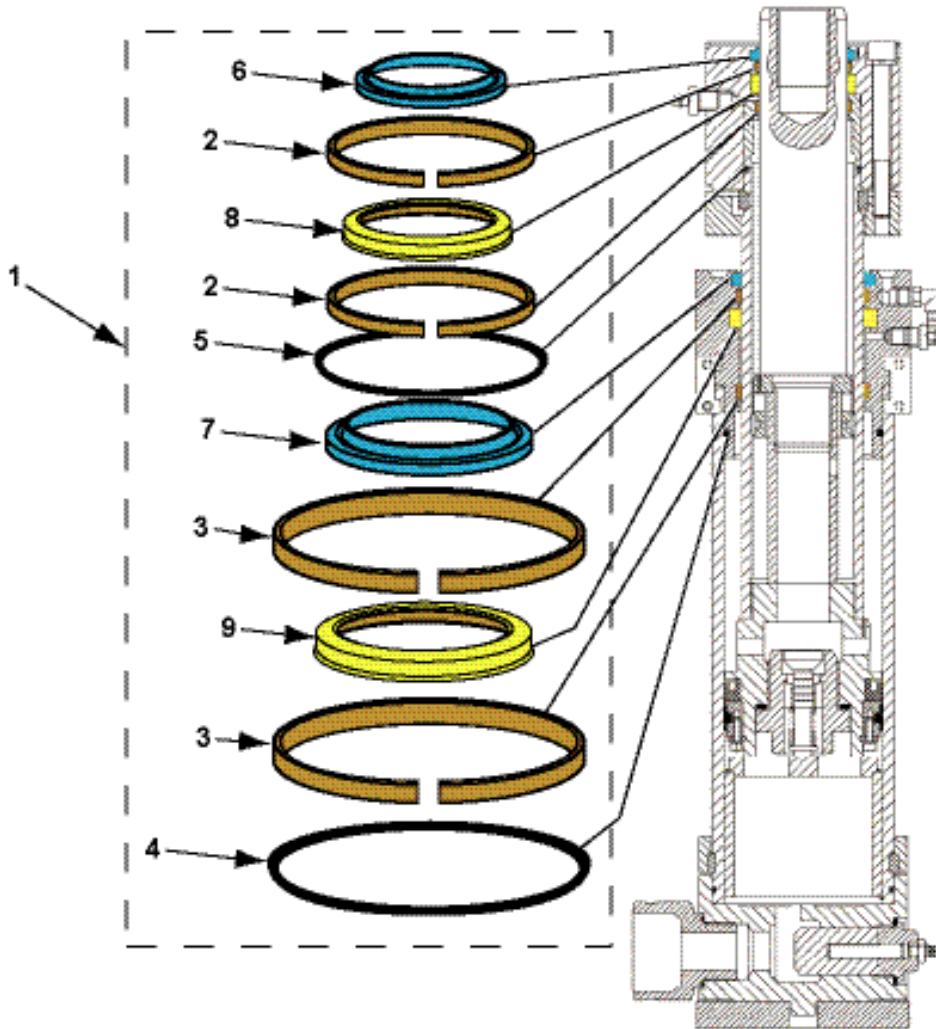
If you have any suggestions about this document, please contact the subject matter expert listed on this page.

# Internal Seal Kit

**03-AAA22840A**



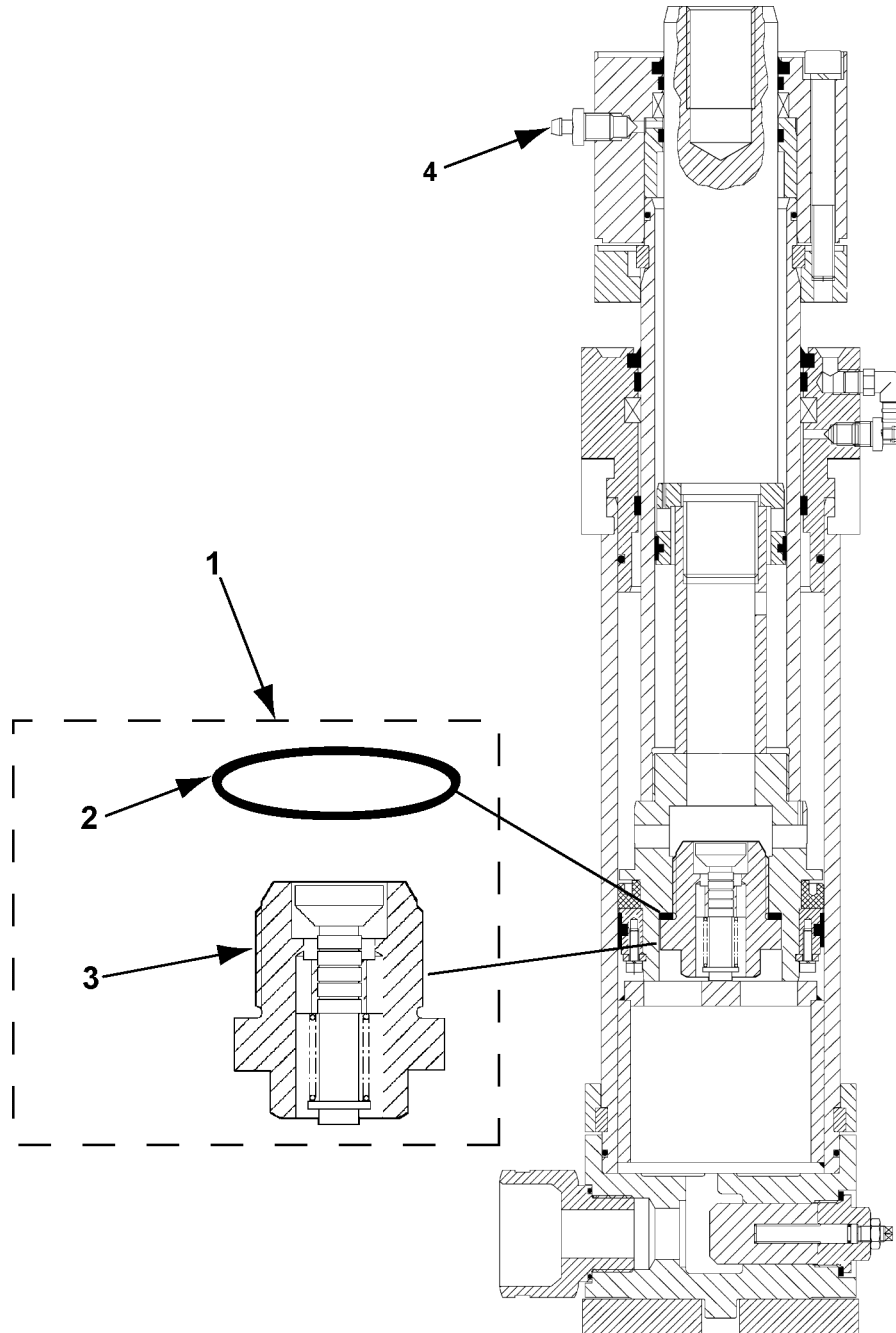
|          | W/O VINTAGE & AAA22840A | AAA22840C    |  |
|----------|-------------------------|--------------|--|
| REF. No. | PART No.                |              | DESCRIPTION                                  |
|          | Plunger Diameters (in.) |              |  |
|          | 2.48 & 3.35             | 2.76 & 3.94  |  |
| 1        | AAA22840A500            | AAA22840C500 | Kit, Seal, Internal (contains Ref. Nos. 2-4) |
| 2        | ---                     | ---          | Ring, Guide                                  |
| 3        | ---                     | ---          | Ring, Guide                                  |
| 4        | ---                     | ---          | Seal, Internal                               |



|                 | <b>W/O VINTAGE &amp; AAA22840A</b> | <b>AAA22840C</b>       |  |
|-----------------|------------------------------------|------------------------|--|
| <b>REF. No.</b> | <b>PART No.</b>                    |                        | <b>DESCRIPTION</b>                           |
|                 | <b>Plunger Diameters (in.)</b>     |                        |  |
|                 | <b>2.48 &amp; 3.35</b>             | <b>2.76 &amp; 3.94</b> |  |
| 1               | AAA22840A501                       | AAA22840C501           | Kit, Seal, External (contains Ref. Nos. 2–9) |
| 2               | ---                                | ---                    | Guide Foil                                   |
| 3               | ---                                | ---                    | Guide Foil                                   |
| 4               | ---                                | ---                    | O Ring                                       |
| 5               | ---                                | ---                    | O-Ring                                       |
| 6               | ---                                | ---                    | Scraper                                      |
| 7               | ---                                | ---                    | Scraper                                      |
| 8               | ---                                | ---                    | Seal, External                               |
| 9               | ---                                | ---                    | Seal, External                               |

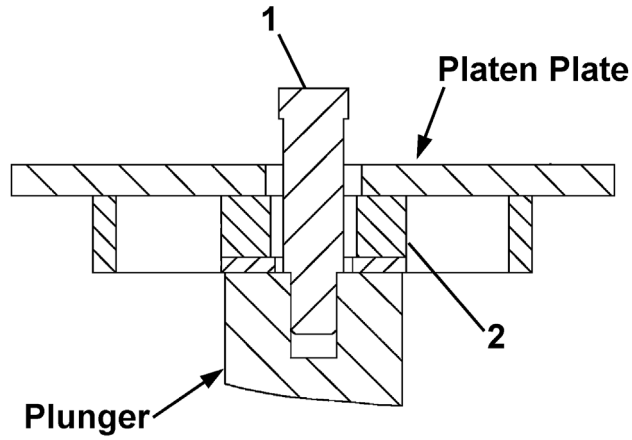
# Foot Check Valve Kit

**03-AAA22840A**



**W/O VINTAGE  
AAA22840A  
AAA22840C**

| REF. No. | PART No.     | DESCRIPTION  |
|----------|--------------|--|
| 1        | AAA22840A502 | Kit, Foot Check Valve (contains Ref. Nos. 2 and 3) |
| 2        | ---          | O-Ring   |
| 3        | ---          | Valve, Foot Check                                  |
| 4        | AAA271DM1    | Valve, Bleeder, M12 Thread                         |

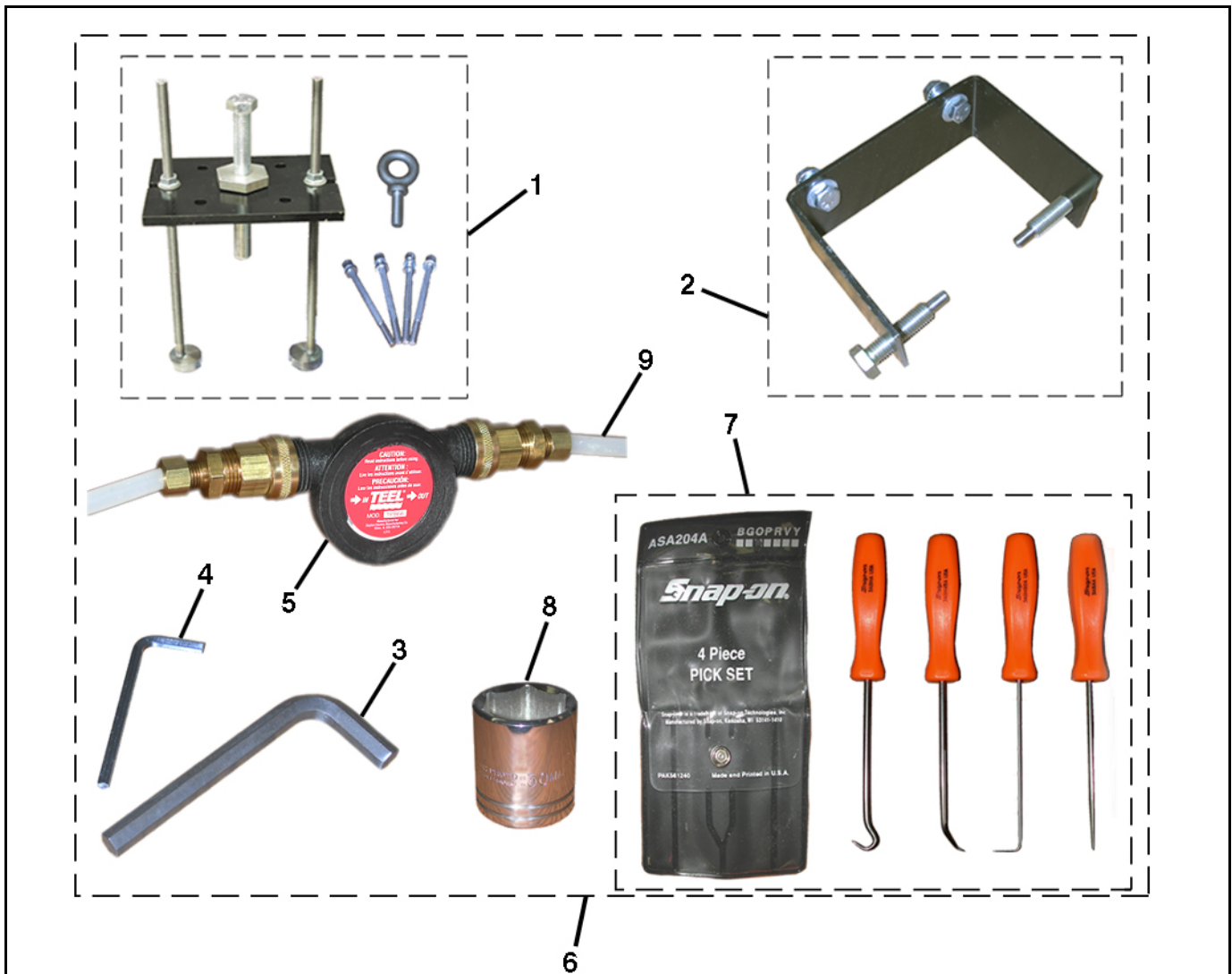


**W/O VINTAGE  
AAA22840A  
AAA22840C**

| <b>REF. No.</b> | <b>PART No.</b> | <b>DESCRIPTION</b>       |
|-----------------|-----------------|--------------------------|
| 1               | AAA65JS1        | Bolt, Shoulder           |
| 2               | 310JJ6          | Block, Platen, Isolation |

# Valve & Packing Replacement Tool Kit

03-AAA22840A



| W/O VINTAGE |              |                                   |
|-------------|--------------|-----------------------------------|
| REF. No.    | PART No.     | DESCRIPTION                       |
| 1           | MT-111026-2  | Assembly, Head/Jack Lifter        |
| 2           | MT-111026-3  | Assembly, Jack Support            |
| 3           | MT-105050-58 | Hex Key, 8 mm, L-Shaped           |
| 4           | MT-105050-56 | Hex Key, 5 mm, L-Shaped           |
| 5           | MT-111027-1  | Kit, Drill Pump                   |
| 6           | MT-111026-1  | Kit, LVT Packing Replacement      |
| 7           | MT-105064-1  | Set, Probe                        |
| 8           | ---          | Socket, 30 mm (for 1/2 in. drive) |
| 9           | 137AP13      | Tubing, 3/8 in.                   |