

Cylinder 2-Stage (EECO)

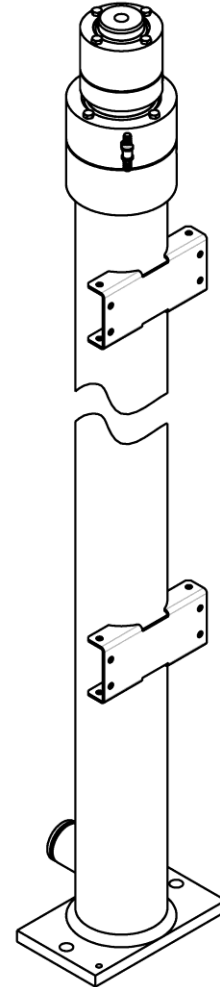
Spare Parts Leaflet

03-AAA22840H

November 16, 2022 / Page 1 of 7

03	R-AAA22822H	SINGLE STAGE
FOR PACKING REPLACEMENT USE AAA182AN1 FOR SEAL REPLACEMENT USE AAA182AP6		
03	R-AAA22840H	TWO STAGE
FOR EXTERNAL SEAL REPLACEMENT, USE AAA22840H501 FOR INTERNAL SEAL REPLACEMENT, USE AAA22840H500 REMARKS: LOOK FOR BLEEDER ON THE SIDE OF TOP CYLINDER HEAD		
03	R-AAA22840J	TWO STAGE
FOR EXTERNAL SEAL REPLACEMENT, USE AAA22840J501 FOR INTERNAL SEAL REPLACEMENT, USE AAA22840J500 REMARKS: LOOK FOR BLEEDER ON THE SIDE OF TOP CYLINDER HEAD		

LABEL P/N: AAA102ALU3



NOTE: Component Vintage tag is located in the platen plate.

OTIS

This document does not contain any technical data subject to EAR or ITAR

SERVICE ENGINEERING

Otis Elevator Company

Bloomfield, Connecticut USA

Unpublished Work—© Otis Elevator Co.; 2022

Leaflet Description

This leaflet details the replaceable packing for two-stage telescopic jacks produced by EECO. It also describes the contents of the tool kit used to install these components.

Leaflet Revisions

Date Revised	Subject Matter Expert	Reason for Revision
July 28, 2010	Phil Winey	New SPL
November 16, 2022	Troy Chicoine	Updated Related Documents section of History page

Related Drawings

Drawing No.	Title	Drawing No.	Title
AAA22840H	LVT Telescopic Cylinder	AAA22840J	LVT Telescopic Cylinder
ACA24000N	Assembly Carframe and Platform Direct Holeless and Telescopic		

Related Documents

Document ID	Title
TIP 12.3-4	<i>EECO Telescopic Jack Packing and Valve Replacement</i>

Subject Matter Expert

Name	Department
Troy Chicoine	Service Engineering, OSC

About Spare Parts Leaflets...

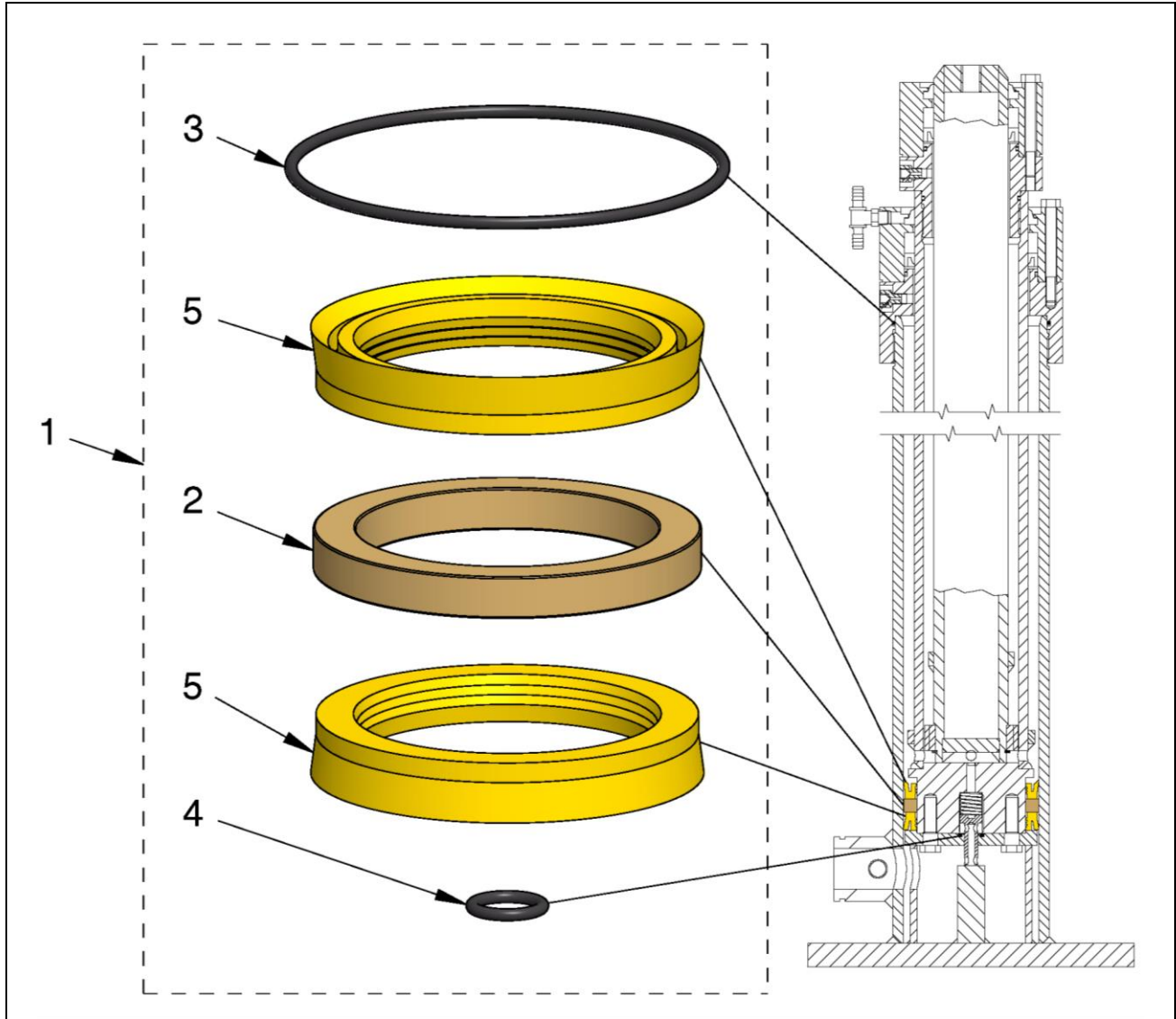
This document lists the lowest replaceable units (LRUs) for the standard version of the product. The LRUs are chosen by a team of Otis associates representing engineering and manufacturing.

While goal of this document is to make parts identification as easy as possible, the document cannot be all-inclusive. Elevator and escalator contracts classified as “special” or “custom” are not addressed here. For such contracts, please refer to specified information, the contract folder, TIPs, Field Education Articles, Construction Letters, etc. for further information.

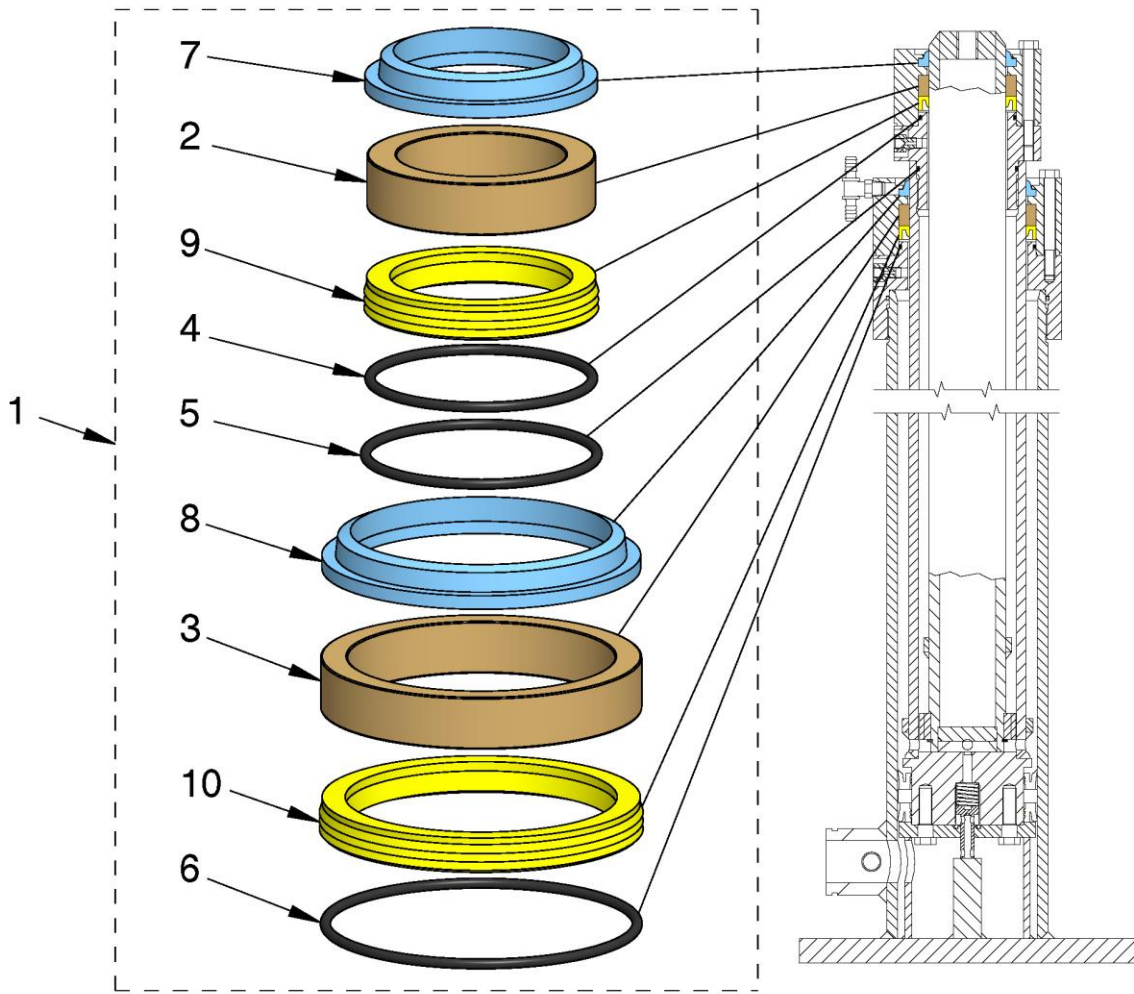
If you have any suggestions about this document, please contact the subject matter expert listed on this page.

Internal Seal Kit

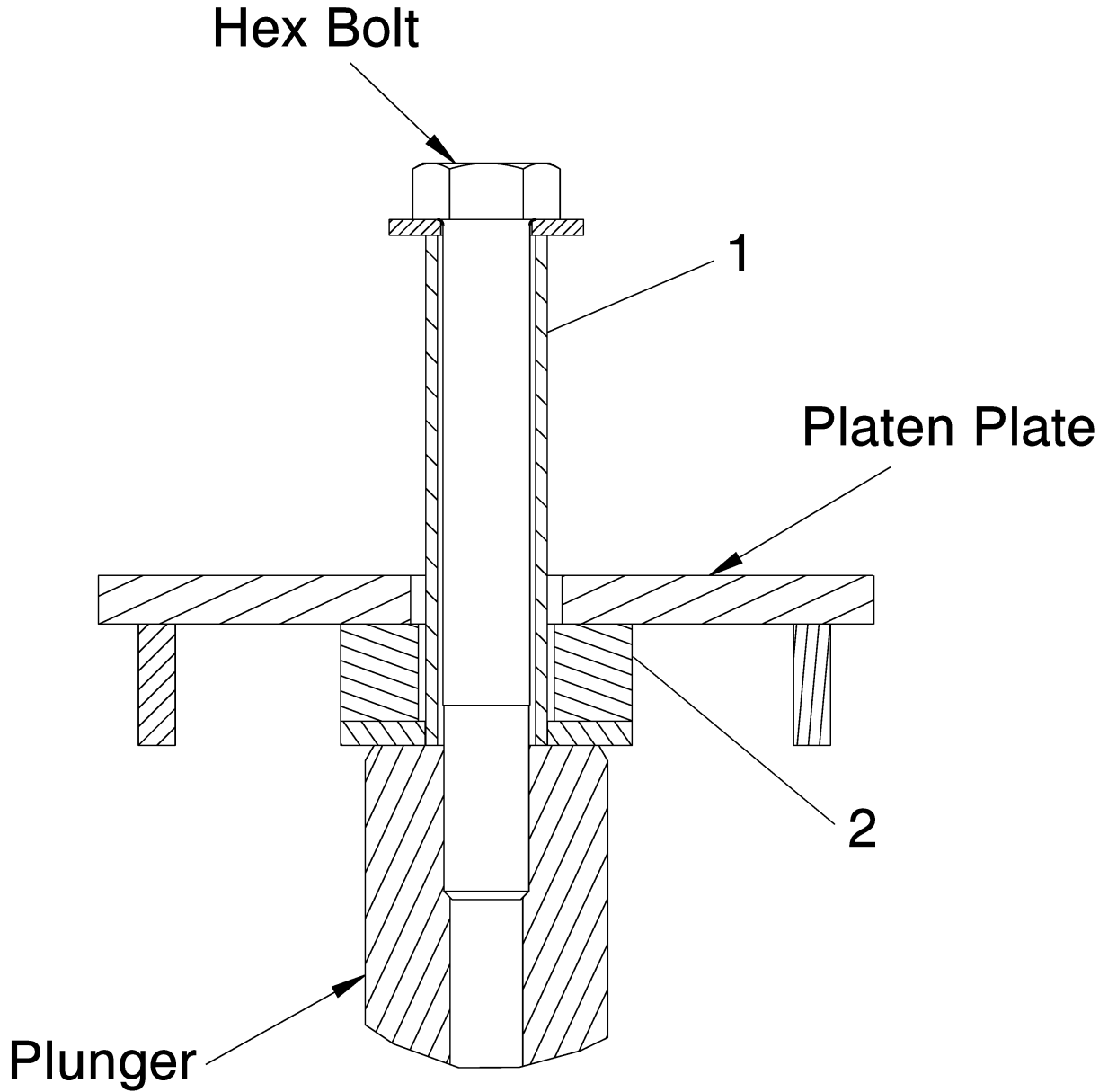
03-AAA22840H



REF. No.	AAA22840H	AAA22840J	DESCRIPTION
	PART No.		
	Plunger Diameters (in.)		
	2.50 & 3.75	2.74 & 4.18	
1	AAA22840H500	AAA22840J500	Kit, Seal, Internal (contains Ref. Nos. 2–6)
2	---	---	Bearing, Guide
3	---	---	O-Ring
4	---	---	O-Ring
5	---	---	Seal, Internal



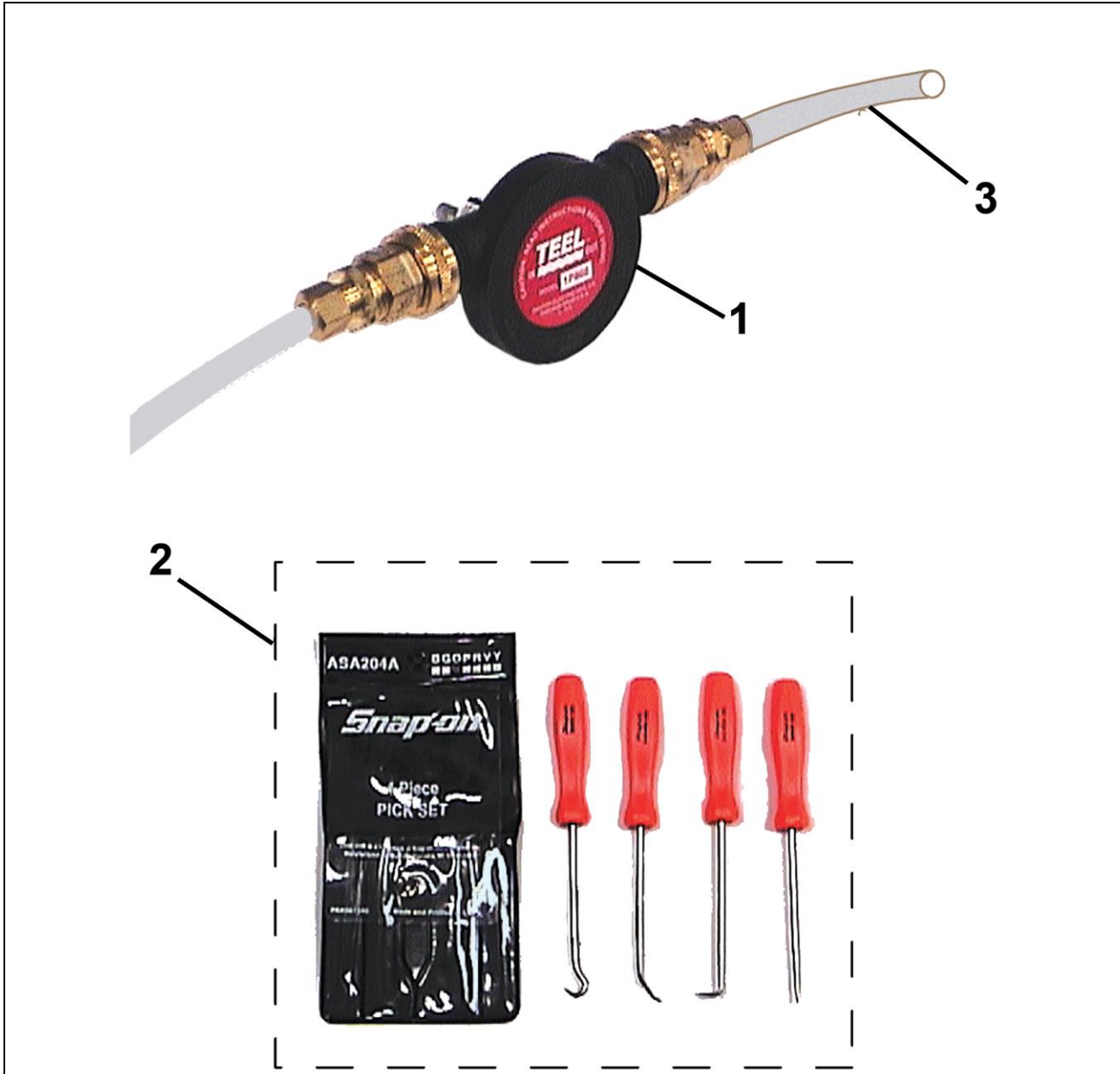
	AAA22840H	AAA22840J	
REF. No.	PART No.		DESCRIPTION
	Plunger Diameters (in.)		
	2.50 & 3.75	2.74 & 4.18	
1	AAA22840H501	AAA22840J501	Kit, Seal, External (contains Ref. Nos. 2–10)
2	---	---	Bearing, Guide
3	---	---	Bearing, Guide
4	---	---	O Ring
5	---	---	O-Ring
6	---	---	O-Ring
7	---	---	Scraper
8	---	---	Scraper
9	---	---	Seal, External
10	---	---	Seal, External



AAA22840H AAA22840J		
REF. No.	PART No.	DESCRIPTION
1	377CH53	Tube
2	310JJ6	Block, Platen, Isolation

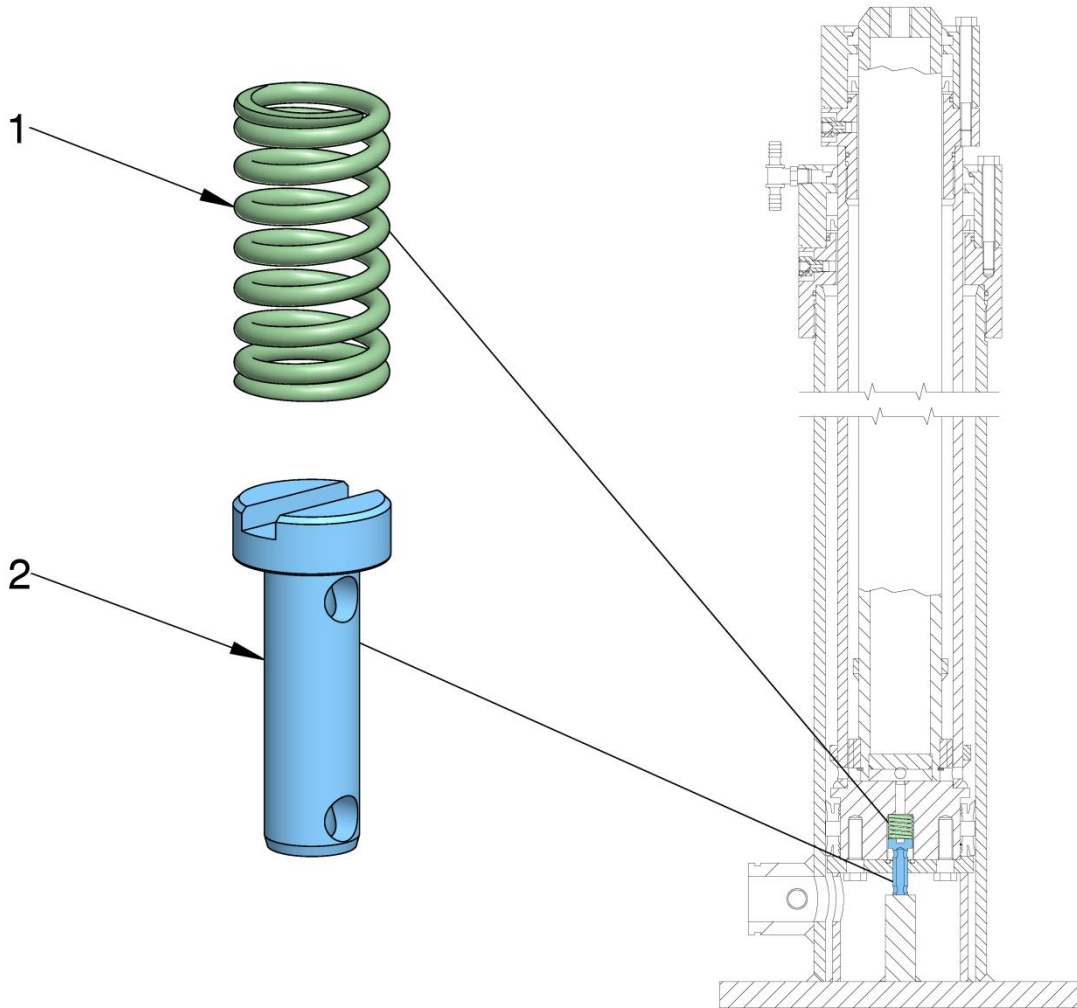
Valve & Packing Replacement Tool Kit

03-AAA22840H



W/O VINTAGE		
REF. No.	PART No.	DESCRIPTION
1	MT-111027-1	Kit, Drill Pump
2	MT-105064-1	Set, Probe
3	137AP13	Tubing, 3/8 in. \varnothing

NOTE: See TIP 6.3.0-33 for packing replacement instructions.



	AAA22840H	AAA22840J	
REF. No.	PART No.		DESCRIPTION
	Plunger Diameters (in.)		
	2.50 & 3.75	2.74 & 4.18	
1	AAA90GM1		Spring
2	AAA271DQ1		Transfer Valve