

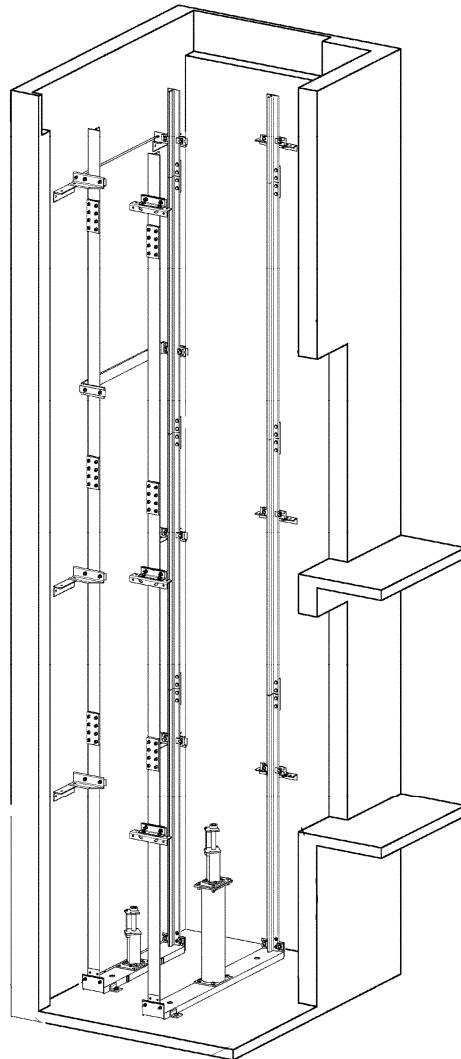
**Gen2<sup>®</sup>**  
**Hoistway Material**

**Spare Parts Leaflet**

**03-AAA29508A**

**July 10, 2004 / Page 1 of 11**

**W/O  
VINTAGE**



**OTIS**

This document does not contain any  
technical data subject to EAR or ITAR

**SERVICE ENGINEERING**  
**Otis Elevator Company**  
**Bloomfield, Connecticut USA**

Unpublished Work—© Otis Elevator Co.; 2004

**Leaflet Description**

This leaflet provides spare parts information for hoistway material used with the Gen2™ elevator system.

**NOTE:**

Rail size information in the leaflet is given as both the Otis rail size number and International Standards Organization (ISO) identification. Below are the equivalent designators.

<b>Rail Identifications</b>		
<b>Otis Rail I.D.</b>	<b>ISO Rail I.D.</b>	<b>Limits</b>
#2	T89	8 lb./ft.
#1-1/2	T127-1	12 lb./ft.
#1	T127-2	15 lb./ft.
#3/4	T140-1	18.5 lb./ft.
#1/2	T140-2	22.5 lb./ft.
#OA	- - -	30 lb./ft.

**Leaflet Revisions**

<b>Date Revised</b>	<b>Subject Matter Expert</b>	<b>Reason for Revision</b>
July 8, 2003	Wendy Smerk	New leaflet
September 18, 2003	Wendy Smerk	New and changed parts to pages 2, 3, 8, and 10.
July 10, 2004	Wendy Smerk	Changed title; added new drawing no. on History page.

**Related Drawings**

<b>Drawing No.</b>	<b>Title</b>	<b>Drawing No.</b>	<b>Title</b>
AAA22760B	Counterweight Screening	AAA6108BU	Assembly; Car Rail Brackets No. 3/4, No. 1, No 1-1/2 Rails (non-seismic)
AAA26ZX	Details Rail Fasteners and Bracket Mounting Hardware	AAA6108CA	Assembly for Combination Rail Brackets
AAA29508A	Hoistway Material Counterweight at Rear Limited Duty	AAA22940A, F, & AL	Assembly and Arrangement; Anti-Snag Guard for Car and Cwt. Rail Brackets
AAA29508B	Hoistway Material Gen2 Extended Duty	AAA29000AC	Arrangement Gen2 R2 NAA (953 & 1134 kg duties)
AAA6108BR	Assembly; Car Rail Brackets No. 3/4, No. 1, No 1-1/2 Rails (seismic, E411 Ride)	AAA29000AD	Arrangement Gen2R2 NAA (2500-4000 lb. passenger duties) (4000-5000 lb. hospital duties)
AAA6108BS	Assembly "SA" Type Counterweight Rail Bracket	AAA29000AF	Arrangement Gen2 NSAA (2500-4000 lb. passenger duties) (4000-5000 lb. hospital duties)

(Continued on next page)

# History

**03-AAA29508A**

## Related Documents

Document ID	Title
SPL 03-AAA6136BE	Buffer Assembly
SPL 03-AAA320FS	Spring Buffer
SPL 35-AAA22800H	Emergency Stop Switch

## Subject Matter Expert

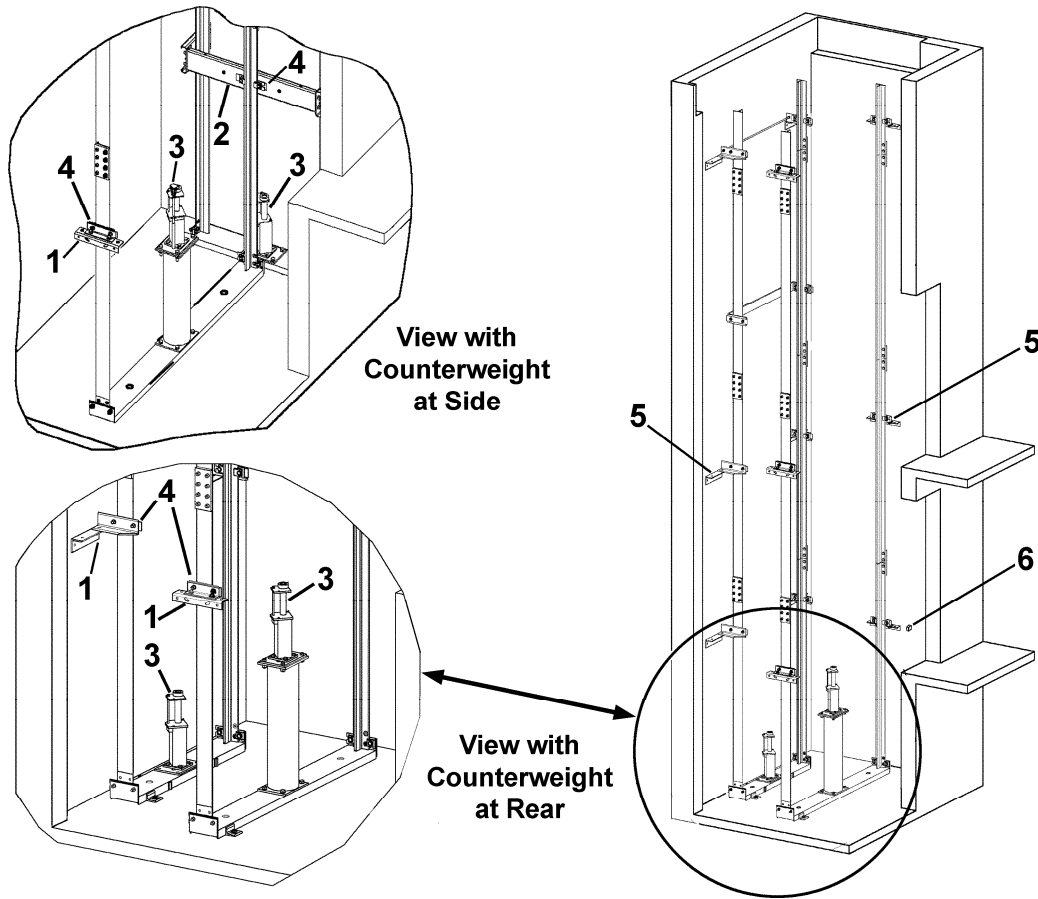
Name	Department
Wendy Smerk	NSAA SIT, Bloomington




## About Spare Parts Leaflets...

This document lists the lowest replaceable units (LRUs) for the standard version of the product. The LRUs are chosen by a team of Otis associates representing engineering and manufacturing.

While goal of this document is to make parts identification as easy as possible, the document cannot be all-inclusive. Elevator and escalator contracts classified as "special" or "custom" are not addressed here. For such contracts, please refer to specified information, the contract folder, TIPS, Field Education Articles, Construction Letters, etc. for further information.

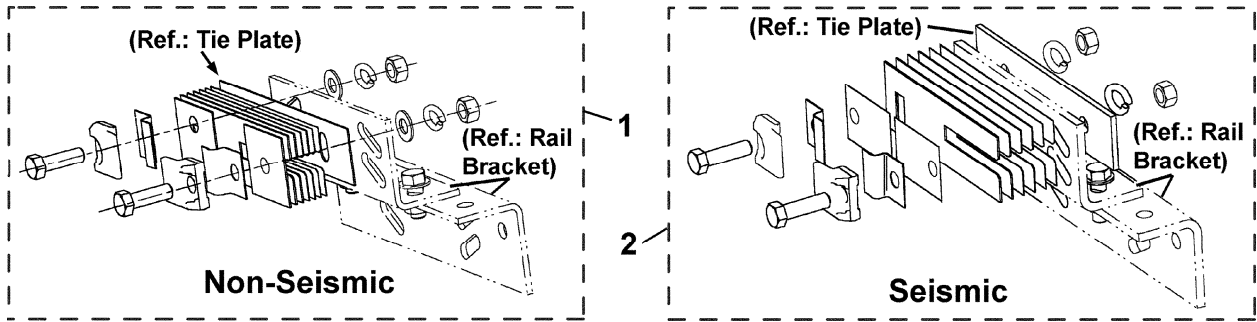
If you have any suggestions about this document, please contact the subject matter expert listed on this page.



REF. No.	PAGE No.	DESCRIPTION
1	---	Bracket, Rail, Car Guide, Non-Seismic (special order parts per drawing AAA6108BU)
	---	Bracket, Rail, Car Guide, Seismic (2+) (special order parts per drawing AAA6108BR)
	---	Bracket, Rail, Counterweight-at-Rear (special order parts per drawing AAA6108BS)
2	---	Bracket, Rail, Side-Counterweight (special order parts per drawing AAA6108CA)
3	---	Buffer, Oil,  SPL 03-AAA6136BE
	---	Buffer, Spring,  SPL 03-AAA320FS
4	5-7	Clip, Rail, Car Guide
		Clip, Rail, Counterweight Guide
5	8	Fastening, Rail Bracket, Car Guide
		Fastening, Rail Bracket, Counterweight Guide
---	9	Guards, Anti-Snag for Car and Counterweight Rail Brackets
---	10	Screen, Hoistway
6	---	Switch, Emergency Stop,  SPL 35-AAA22800H
---	11	Guards, Anti-Snag, 953 Kg (2100 lb.) or 1134 Kg (2500 lb.)

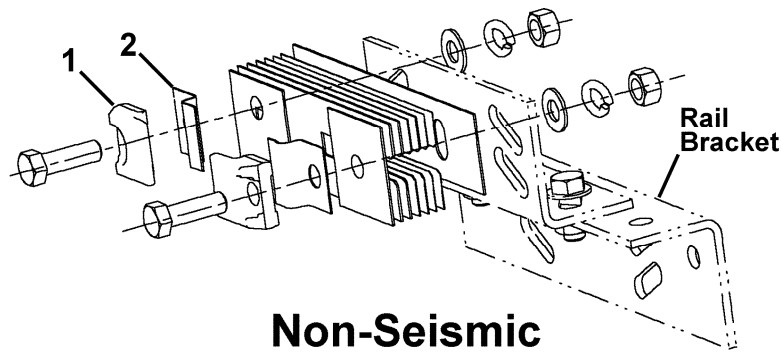
# Car & Counterweight Rail Clip Kits

**03-AAA29508A**

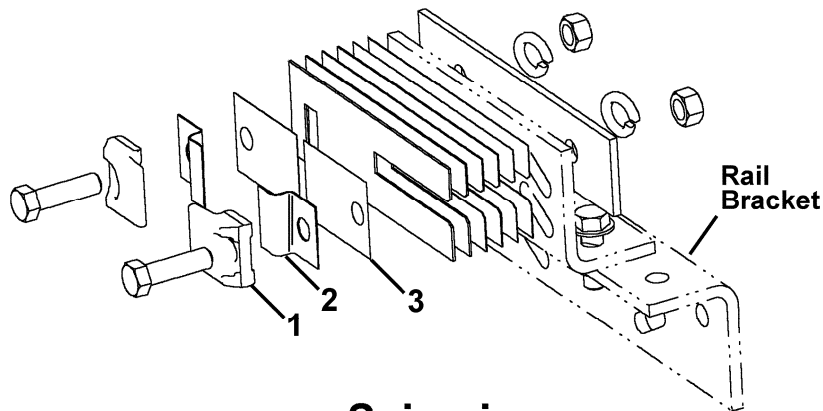


W/O VINTAGE		DESCRIPTION						
REF. No.	PART No.			Tie Plate	Rail Size Designator		Clip Style	
			Zone		Otis	ISO		
1	AAA26ZX1	Kit, Rail Fastener	Non-Seismic	With	2	T89	Steel Sliding	
	AAA26ZX2						Forged Non-Sliding	
	AAA26ZX3				1-1/2	T127-1	Forged Sliding	
	AAA26ZX4						Forged Non-Sliding	
	AAA26ZX5				1	T127-2	Forged Sliding	
	AAA26ZX6						Forged Non-Sliding	
	AAA26ZX7				3/4	T140-1	Forged Sliding	
	AAA26ZX8						1/2	T140-2
	AAA26ZX9				OA	---		
	AAA26ZX22				1-1/2	T127-1	Forged Sliding w/Brass Shim	
	AAA26ZX23							1
	AAA26ZX24				3/4	T140-1		
	2				AAA26ZX10	(Rail Brackets not Included)	Seismic	Without
AAA26ZX11		Forged Non-Sliding						
AAA26ZX12		1	T127-2	Forged Sliding				
AAA26ZX13				Forged Non-Sliding				
AAA26ZX14		3/4	T140-1	Forged Sliding				
AAA26ZX15				1-1/2	T127-1			
AAA26ZX16		Forged Non-Sliding						
AAA26ZX17		1	T127-2	Forged Sliding				
AAA26ZX18				Forged Non-Sliding				
AAA26ZX19		3/4	T140-1	Forged Non-Sliding				
AAA26ZX20					1			
AAA26ZX21		With	3/4	T140-1	Forged Sliding w/Brass Shim			
AAA26ZX25								
AAA26ZX26		Without	1	T127-2				
AAA26ZX27					3/4			
AAA26ZX28								

**Car & Counterweight Rail Clips**



**Non-Seismic**



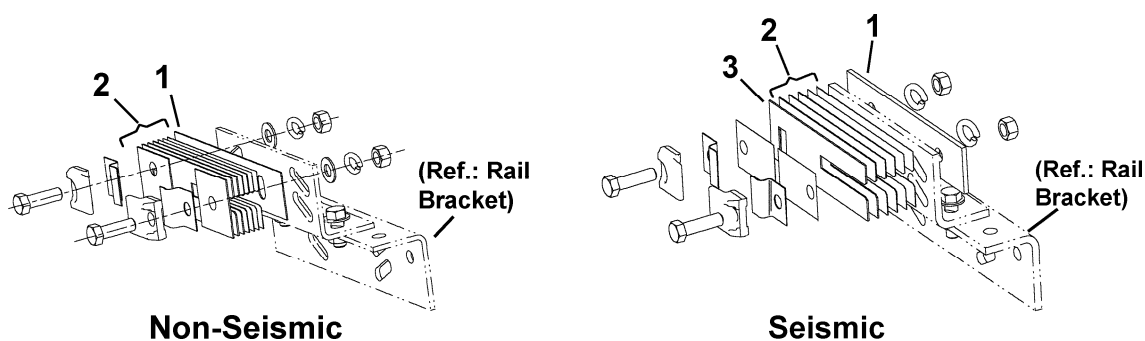
**Seismic**

<b>W/O VINTAGE</b>						
<b>REF. No.</b>	<b>PART No.</b>	<b>DESCRIPTION</b>				
			<b>Zone</b>	<b>Rail Size Designator</b>		<b>Clip Style</b>
				<b>Otis</b>	<b>ISO</b>	
1	339FB1	Clip, Rail	Non-Seismic	2	T89	Steel Sliding
	339E1					Forged Non-Sliding
	339LT1		Seismic & Non-Seismic	1-1/2	T127-1	Forged Sliding
	339GM1					Forged Non-Sliding
	339MB1					Forged Sliding
	339D1		Non-Seismic	1	T127-2	Forged Non-Sliding
	339J1					
	339C1					
	2		93FD1	Clip, Spring	Seismic & Non-Seismic	3/4, 1, & 1-1/2
93HB1						
3	255EV1	Liner				

(Continued on next page)

# Car & Counterweight Rail Shims

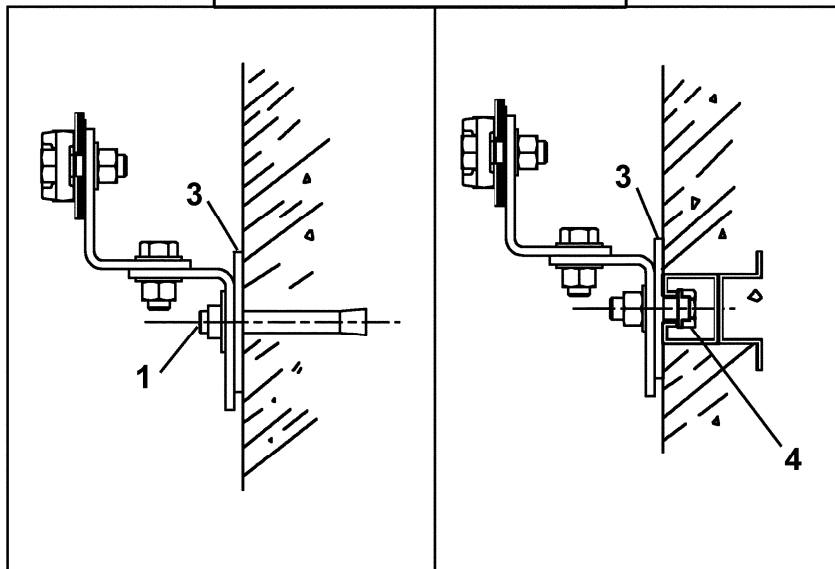
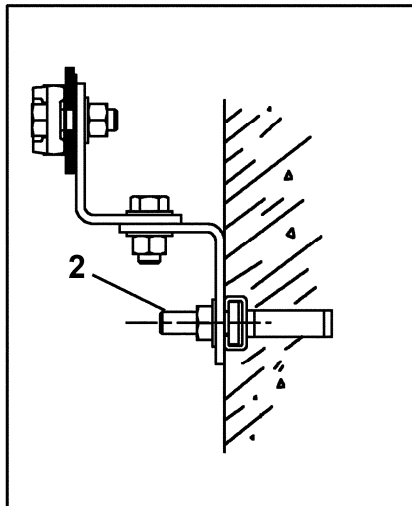
**03-AAA29508A**



**W/O VINTAGE**

REF. No.	PART No.	DESCRIPTION				
		Zone	Rail Size Designator		Clip Style	
			Otis	ISO		
1	298PM1	Plate, Tie	Non-Seismic	2	T89	Steel Sliding & Forged Non-Sliding
	298PM2			1	T127-2	Forged Sliding & Forged Non-Sliding
	298PM3			1-1/2	T127-1	Forged Sliding
	298PM9		Seismic	1	T127-2	Forged Sliding & Forged Non-Sliding
	298PM10			1-1/2	T127-1	Forged Sliding
	298PM15			3/4	T140-1	Forged Non-Sliding
	298PM16		Non-Seismic	1	T127-2	Steel Sliding with Button
	298PM17			1-1/2	T127-1	Steel Sliding with Button
2	255EH1	Shim, Rail, 0.0336 in.	Seismic & Non-Seismic	3/4	T140-1	All
	255EH2	Shim, Rail, 0.0635 in.		1	T127-2	
	255EH4	Shim, Rail, 0.0187 in.		1-1/2	T127-1	
	255J13	Shim, Rail, 0.0312 in.		2	T89	
	255J14	Shim, Rail, 0.0625 in.		1/2	T140-2	Forged Non-Sliding
	255J20	Shim, Rail, 0.015 in.		OA	---	
3	255EH3	Shim, Brass		3/4	T140-1	Forged Sliding
				1	T127-2	
				1-1/2	T127-1	

# Rail Bracket Fastenings

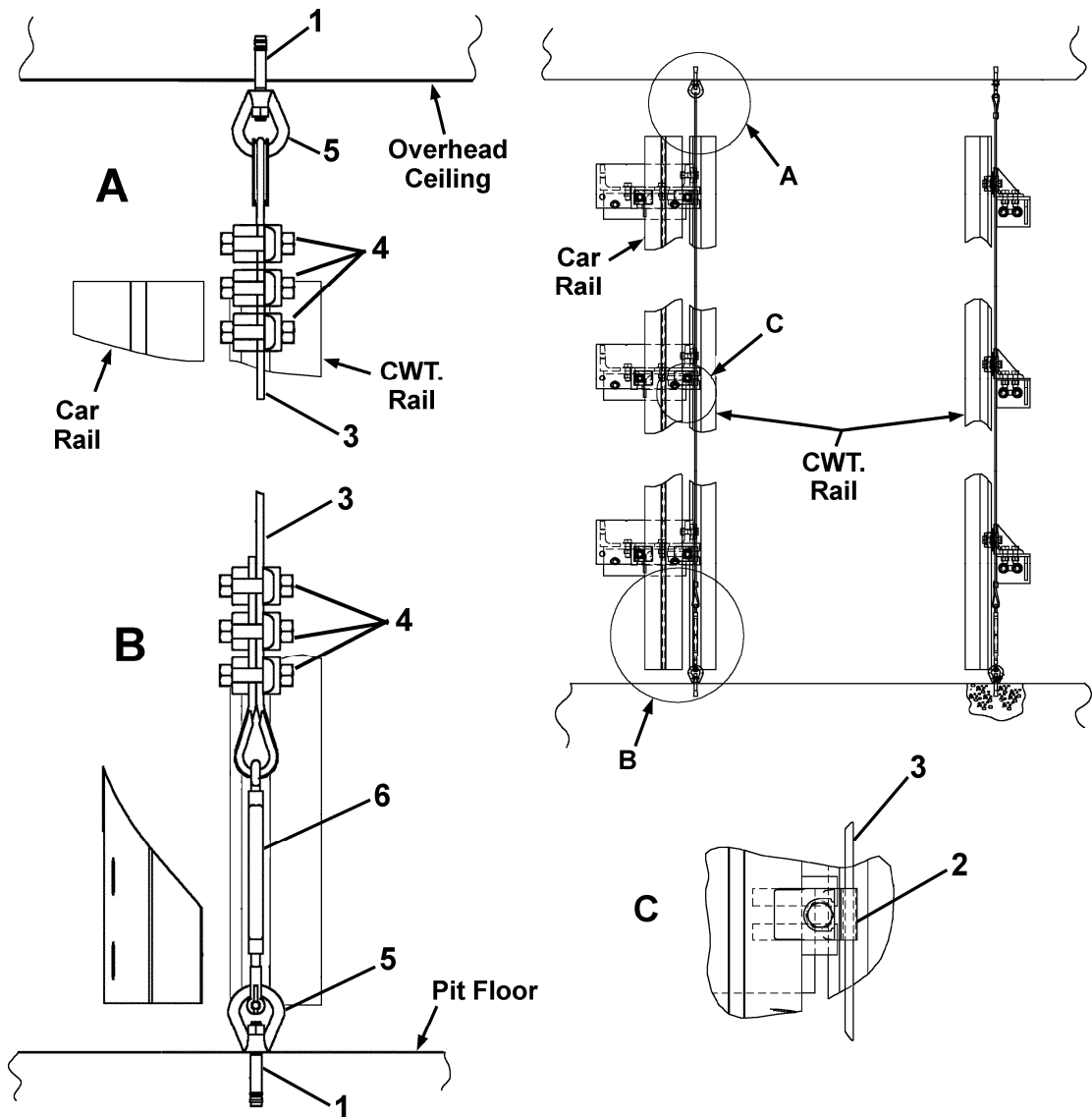



		<b>W/O VINTAGE</b>		
<b>REF. No.</b>	<b>PART No.</b>	<b>DESCRIPTION</b>		
			<b>Application</b>	
1	54E4	Anchor, Wedge	Concrete Wall	5/8 UNC x 1-1/2 L Thread
	54E20			5/8 UNC x 2-1/2 L Thread
	54E21		Concrete Masonry Unit (CMU)	5/8 UNC Thread
2	AAA65GV1	Bolt, M16 Thread	with Halfen Inserts, Non-Seismic	
	AAA65GV2	Bolt, M16 Thread	with Halfen Inserts, Seismic	
3	127XA10	Washer, Packing	Concrete, Brick, CMU, Wood Beam	
4	AAA130BH1	Washer, T	Steel Inserts (in brick or concrete)	

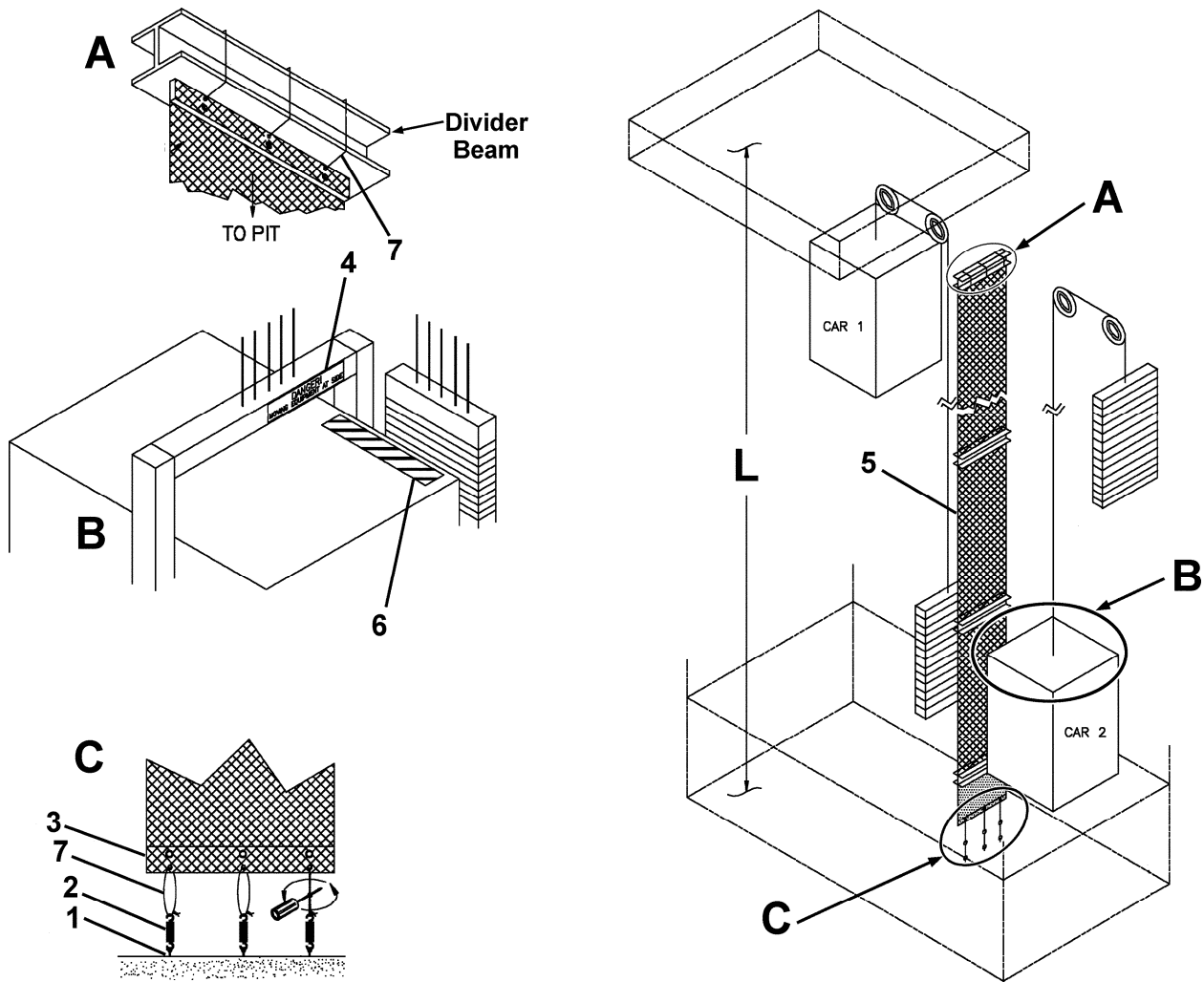


# Anti-Snag Guard Components

**03-AAA29508A**



W/O VINTAGE			
REF. No.	PART No.		DESCRIPTION
	<b>COUNTERWEIGHT at:</b>		
	<b>REAR</b>	<b>SIDE</b>	
1	54E12		Anchor, Wedge
2	AAA316FWE1	AAA316FWE2	Bracket, Cable
3	AAA712Y1		Cable,  (Length = Rise + Pit + Overhead + 4'0")
4	336KX6		Clamp
5	AAA72HG1		Eyenuit
6	AAA485M1		Turnbuckle

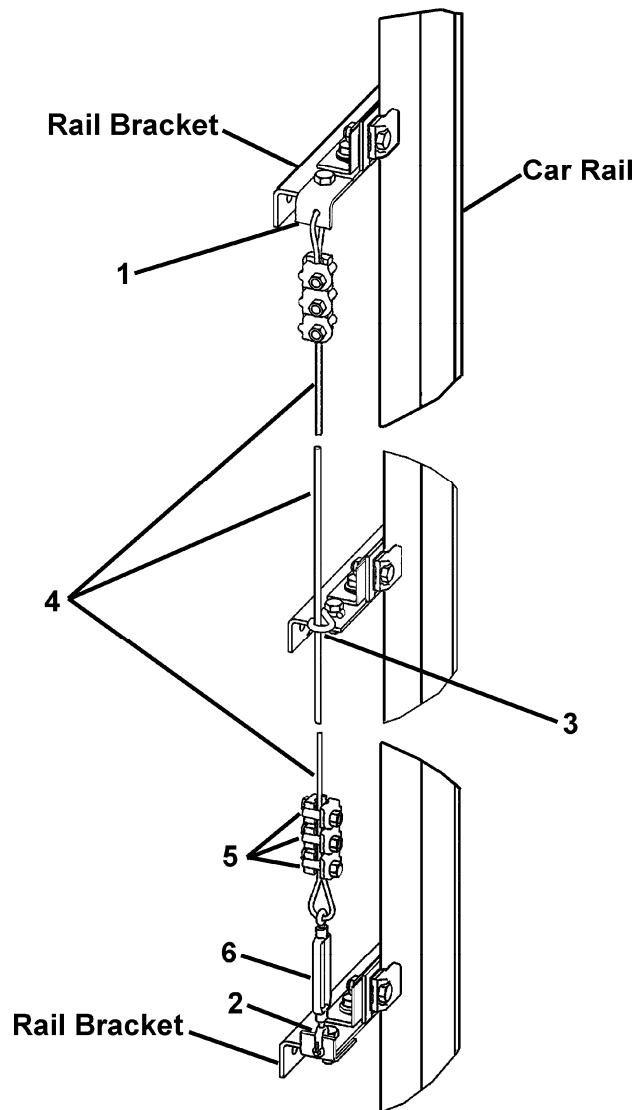



**W/O VINTAGE**

REF. No.	PART No.	DESCRIPTION
1	54E11	Anchor, Wedge
2	AAA91AV1	Assembly, Spring Extension
3	AAA299AMN1	Bar, Aluminum
4	AAA102ABY2	Label: "Danger! - Moving Equipment at Side"
5	AAA273F1	Netting, Pearl Weave (L <= 140 ft.)
6	AAA102ACS1	Sticker, Caution, Yellow and Black, 2 x 4 in.
7	AAA800A2	Wire, 14 Gauge, Black Annealed, 50 ft.

# Type AAA22940AL Anti-Snag Guard Components

03-AAA29508A



W/O VINTAGE		
REF. No.	PART No.	DESCRIPTION
1	AAA283AVX1	Angle, Formed, Top
2	AAA283AVX2	Angle, Formed, Bottom
3	509W3	S-Hook
4	AAA712Y1	Cable,  (Length = 1/2 Rise + Pit + 14'0")
5	336KX6	Clamp
6	AAA485M1	Turnbuckle