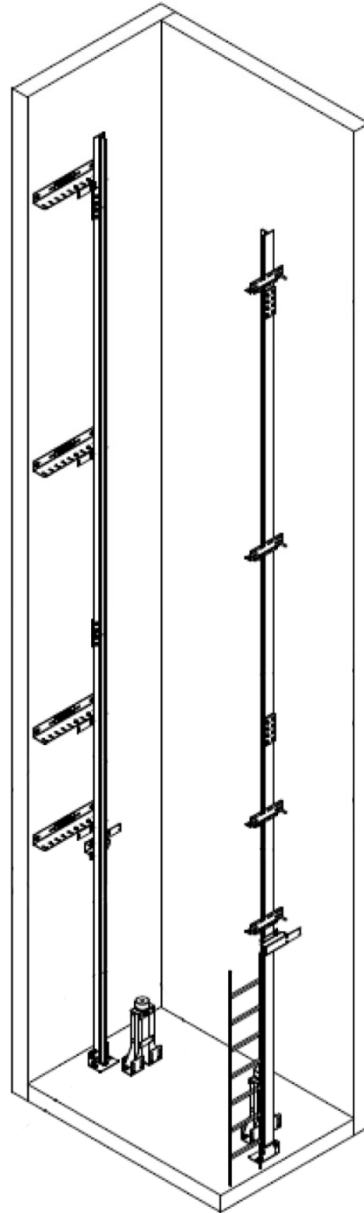


**Hoistway Material
HydroFit®**

Spare Parts Leaflet

03-AAA29508F

June 3, 2020 / Page 1 of 10



**W/O
VINTAGE**

OTIS

This document does not contain any technical data subject to EAR or ITAR

**SERVICE ENGINEERING
Otis Elevator Company
Bloomfield, Connecticut USA**

Unpublished Work—© Otis Elevator Co.; 2020

Leaflet Description

This leaflet provides part ordering information for HydroFit® hoistway components.

Leaflet Revisions

Date Revised	Subject Matter Expert	Reason for Revision
February 27, 2013	Gary Mendrala / Rose Lorenzo	New SPL
October 11, 2017	Gary Mendrala and Mike Chen	Added 318EH10–11 and AAA22100AH17–20
June 3, 2020	Gary Mendrala and Mike Chen	Added AAA318MP4, AAA22100AH21, and AAA22100AH22 on p. 7

Related Drawings

Drawing No.	Title	Drawing No.	Title
AAA29508F	Hoistway Equipment HydroFit®	AAA320FY	Buffer, Holeless
AAA320FV	Buffer, Telescopic	AAA26ZX	Rail Mounting Hardware

Related Documents

Document ID	Title
SPL 03-AAA320FV	Buffer Telescopic
SPL 03-AAA320FY	Buffer Holeless
SPL 03-AAA29508C	Gen2L Hoistway Material
SPL 03-AAA29508A	Hoistway Material Limited and Extended Duties

Subject Matter Expert

Name	Department
Gary Mendrala	OSC Service Engineering

About Spare Parts Leaflets...

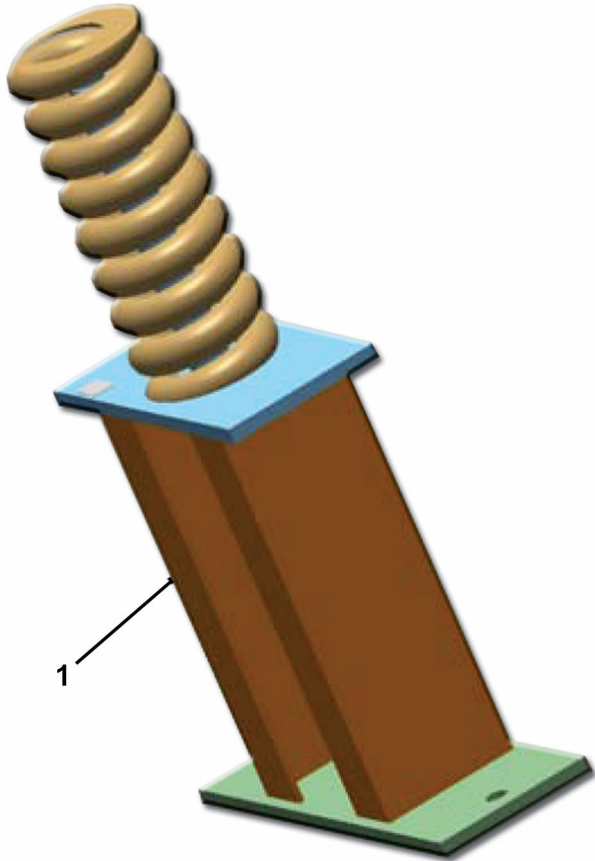
This document lists the lowest replaceable units (LRUs) for the standard version of the product. The LRUs are chosen by a team of Otis associates representing engineering and manufacturing.



While goal of this document is to make parts identification as easy as possible, the document cannot be all-inclusive. Elevator and escalator contracts classified as “special” or “custom” are not addressed here. For such contracts, please refer to specified information, the contract folder, TIPs, Field Education Articles, Construction Letters, etc. for further information.

If you have any suggestions about this document, please contact the subject matter expert listed on this page.

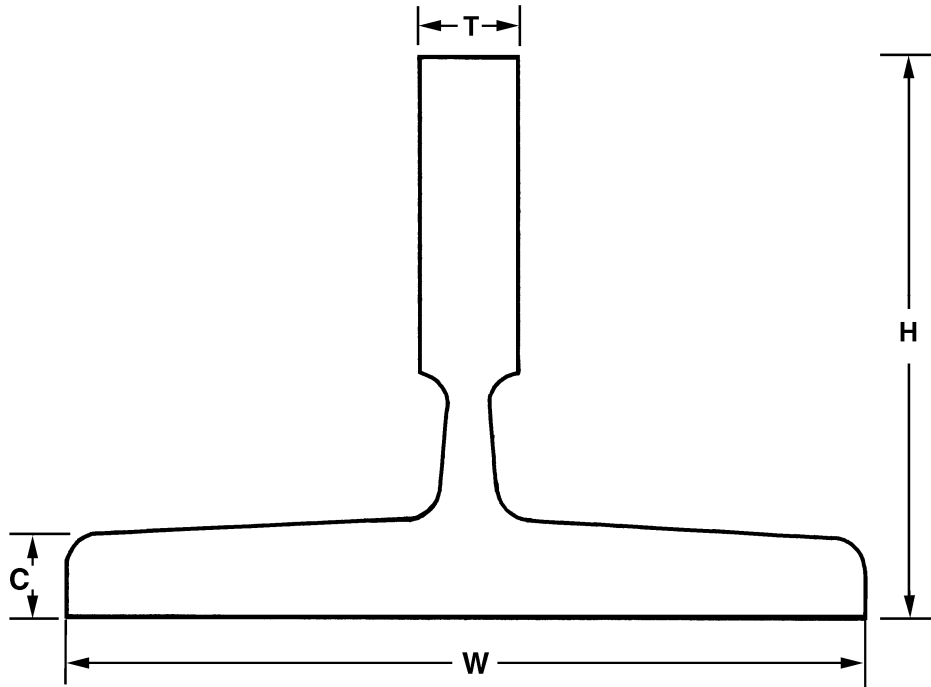
Buffer and Plates

03-AAA29508F

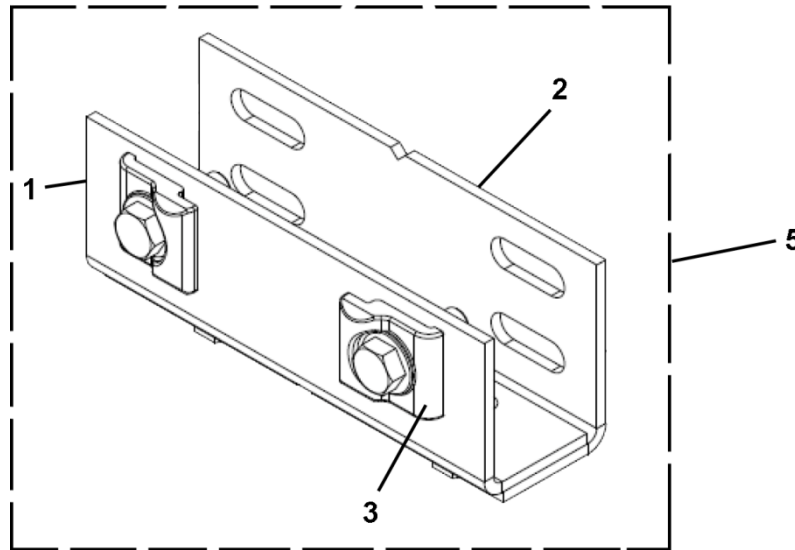
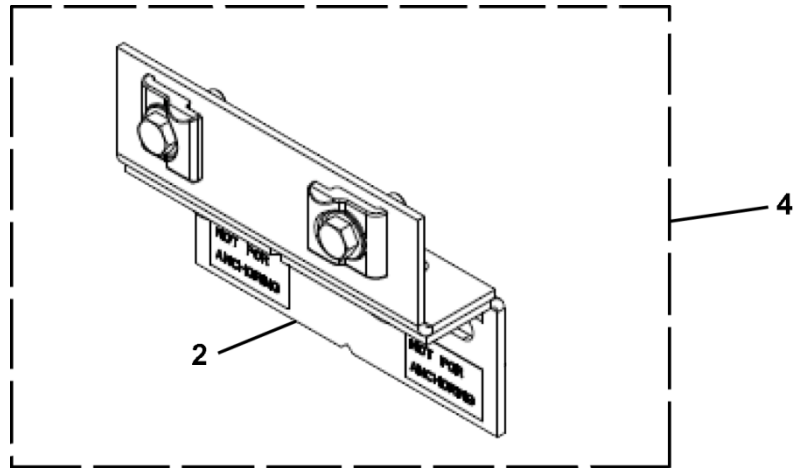


	W/O VINTAGE	
REF. No.	PART No.	DESCRIPTION
1	---	Buffer, Telescopic Hydro, Type AAA320FV,  SPL 03-AAA320FV
	---	Buffer, Holeless, Type AAA320FY,  SPL 03-AAA320FY

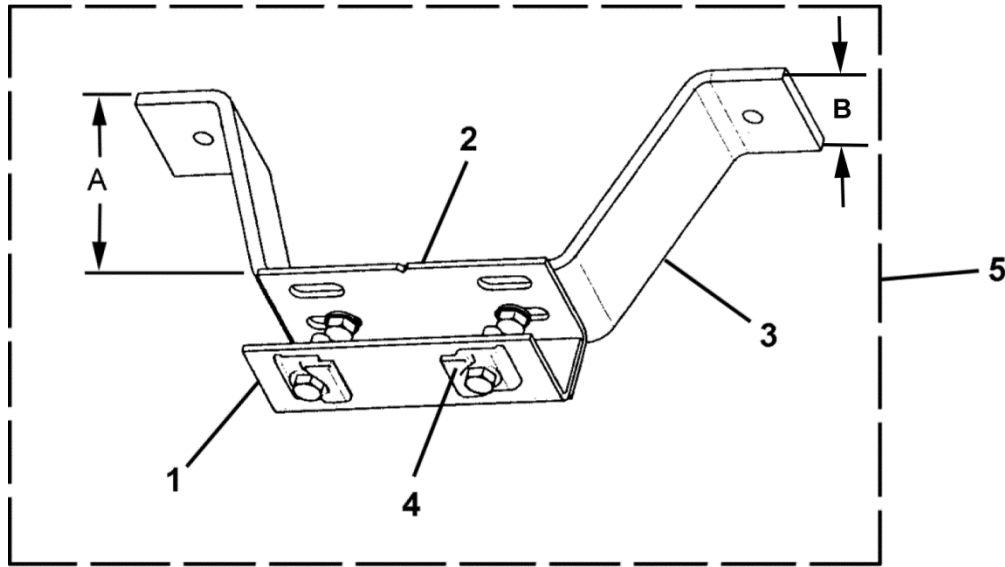
Cross-Reference for Rail Designation and Size



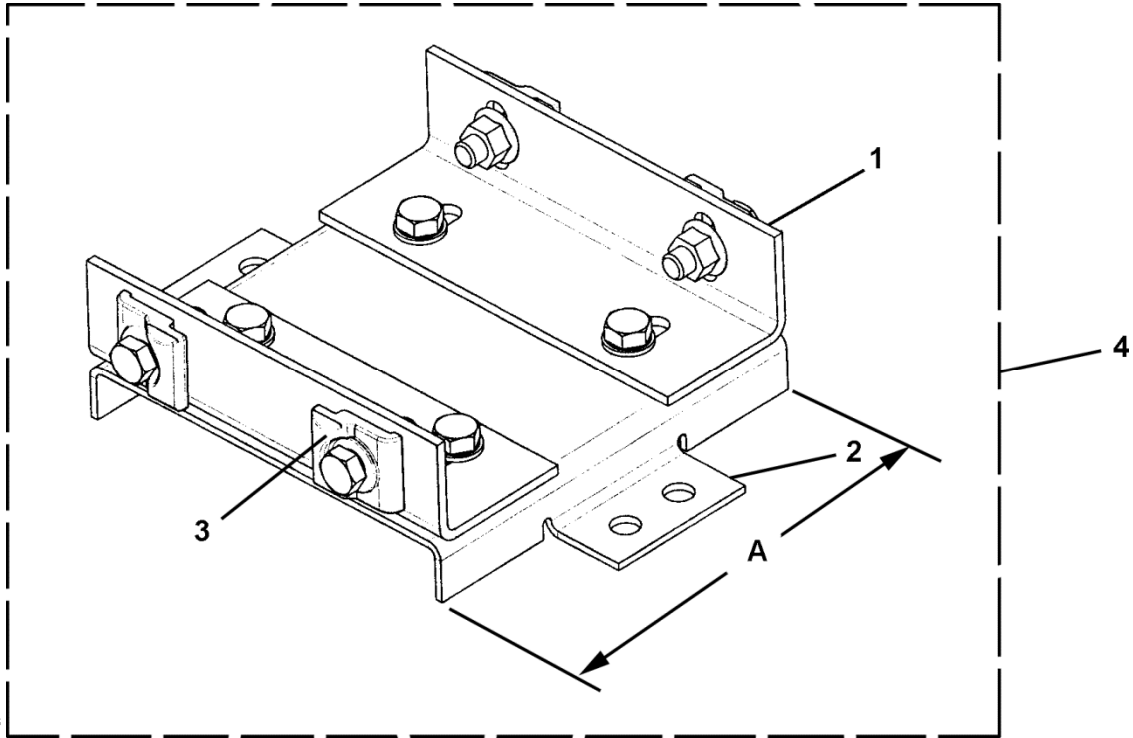
Rail Designation		Weight (lb./ft.)	Thickness (in.)	C (in.)	Height (in.)	Width (in.)
#2	T89	8.0	5/8	5/16	2-7/16	3-1/2
#1-1/2	T127-1	12.0	5/8	5/16	3-1/2	5
#1	T127-2	15.0	5/8	1/2	3-1/2	5
#3/4	T140-1	18.5	3/4	---	---	5-1/2
#1/2	T140-2	22.5	1-1/8	---	---	5-1/2
OA	---	30.0	1-1/4	---	---	5-1/2



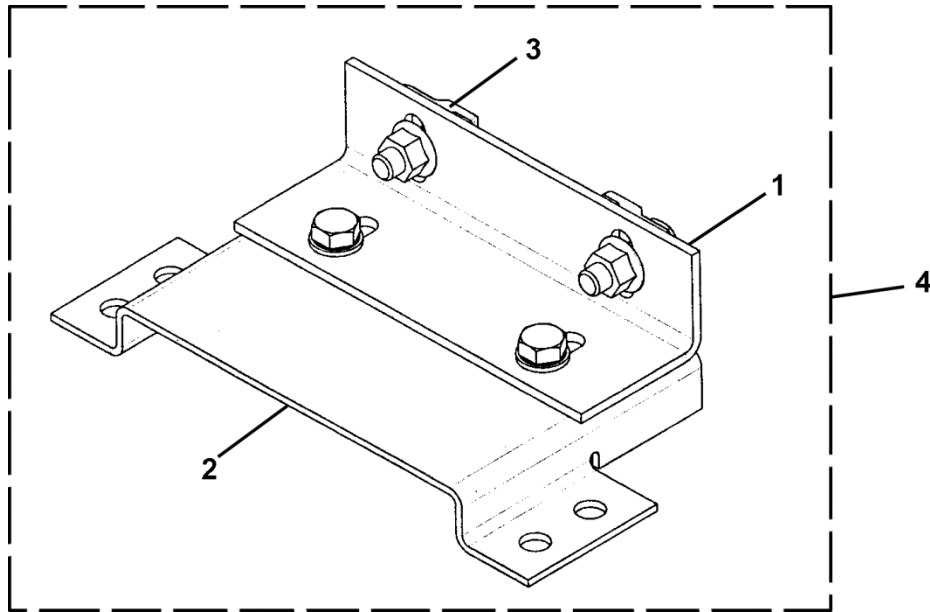
W/O VINTAGE		
REF. No.	PART No.	DESCRIPTION
1	AAA283BNE1	Angle
2	AAA283BNF1	Angle
3	339GM1	Clip, #1.5 Rail
	339D1	Clip, #1 Rail
4	AAA22100AH1	Kit, Bracket, Rail, #1.5 Rail
	AAA22100AH3	Kit, Bracket, Rail, #1 Rail
5	AAA22100AH2	Kit, Bracket, Rail, #1.5 Rail
	AAA22100AH4	Kit, Bracket, Rail, #1 Rail



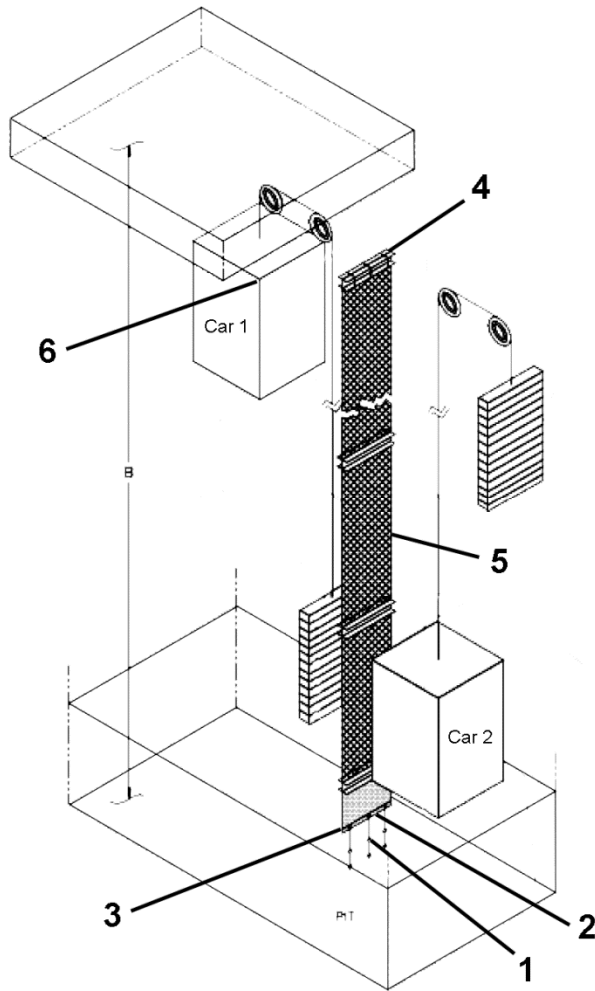
W/O VINTAGE		
REF. No.	PART No.	DESCRIPTION
1	AAA283BNE1	Angle
2	AAA283BNF1	Angle
3	318EH7	Bracket, A = 2.5 in., B = 4 in.
	318EH8	Bracket, A = 5.5 in., B = 4 in.
	318EH9	Bracket, A = 8.5 in., B = 4 in.
	318EH10	Bracket, A = 10.62 in., B = 4 in.
	318EH11	Bracket, A = 10.62 in., B = 8 in.
4	339GM1	Clip, #1.5 Rail
	339D1	Clip, #1 Rail
5	AAA22100AH5	Kit, Bracket Rail, #1.5 Rail, A = 2.5 in.
	AAA22100AH6	Kit, Bracket Rail, #1.5 Rail, A = 5.5 in.
	AAA22100AH7	Kit, Bracket Rail, #1.5 Rail, A = 8.5 in.
	AAA22100AH8	Kit, Bracket Rail, #1 Rail, A = 2.5 in.
	AAA22100AH9	Kit, Bracket Rail, #1 Rail, A = 5.5 in.
	AAA22100AH10	Kit, Bracket Rail, #1 Rail, A = 8.5 in.
	AAA22100AH17	Kit, Bracket Rail, #1.5 Rail, A = 10.62 in., B = 4 in.
	AAA22100AH18	Kit, Bracket Rail, #1 Rail, A = 10.62 in., B = 4 in.
	AAA22100AH19	Kit, Bracket Rail, #1.5 Rail, A = 10.62 in., B = 8 in.
	AAA22100AH20	Kit, Bracket Rail, #1 Rail, A = 10.62 in., B = 8 in.



W/O VINTAGE		
REF. No.	PART No.	DESCRIPTION
1	AAA283BNE1	Angle
2	AAA318MP1	Bracket, A = 11 in.
	AAA318MP2	Bracket, A = 16.37 in.
	AAA318MP4	Bracket, A = 14.01 in.
3	339GM1	Clip, #1.5 Rail
	339D1	Clip, #1 Rail
4	AAA22100AH11	Kit, Bracket Rail, #1.5 Rail A = 11 in.
	AAA22100AH21	Kit, Bracket Rail, #1.5 Rail A = 14.01 in.
	AAA22100AH12	Kit, Bracket Rail, #1.5 Rail A = 16.37 in.
	AAA22100AH13	Kit, Bracket Rail, #1 Rail A = 11 in.
	AAA22100AH22	Kit, Bracket Rail, #1 Rail A = 14.01 in.
	AAA22100AH14	Kit, Bracket Rail, #1 Rail A = 16.37 in.



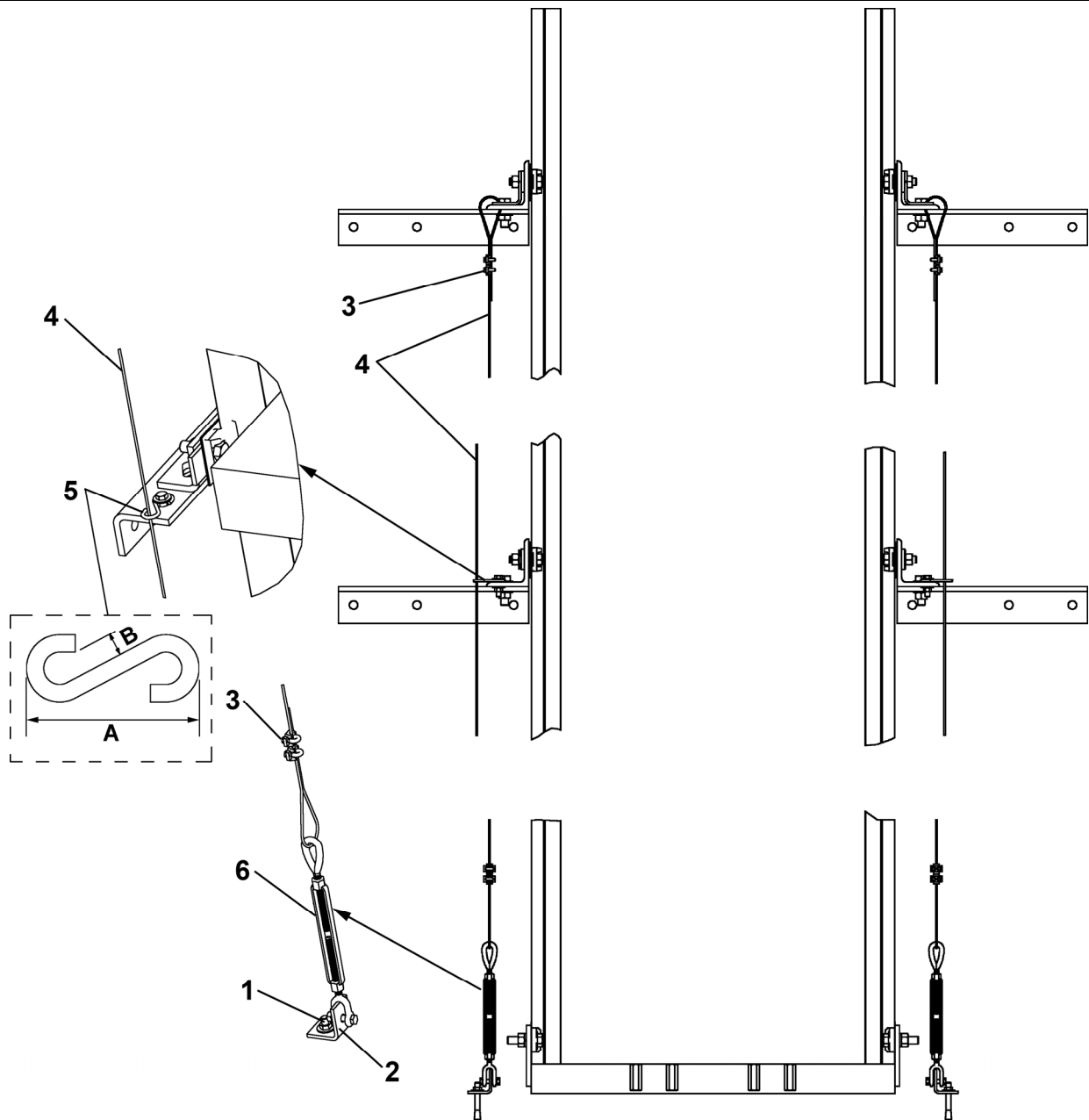
W/O VINTAGE		
REF. No.	PART No.	DESCRIPTION
1	AAA283BNE1	Angle
2	AAA318MP3	Bracket
3	339GM1	Clip, #1.5 Rail
	339D1	Clip, #1 Rail
4	AAA22100AH15	Kit, Bracket Rail, #1.5
	AAA22100AH16	Kit, Bracket Rail, #1



W/O VINTAGE		
REF. No.	PART No.	DESCRIPTION
1	54E11	Anchors, Wedge
2*	AAA91AV1	Assembly, Spring
3*	AAA299AMN1	Bar, Aluminum
4*	AAA102ABY2	Label, "Danger Moving Equipment at Side"
5	AAA273F1	Pearl Weave, L = 150 ft.
	AAA273F2	Pearl Weave, L = 75 ft.
	AAA273F3	Pearl Weave, L = 50 ft.
	AAA273F4	Pearl Weave, L = 25 ft.
	AAA273F5	Pearl Weave, L = 15 ft.
6*	AAA102ACS1	Sticker, Caution, Yellow and Black, 2 x 4 in.
**	AAA800A2	Wire, 14 GA

* Part location shown.

** Part not shown.



W/O VINTAGE

REF. No.	PART No.	DESCRIPTION
1	54E12	Anchor, Wedge
2	AAA316HHL1	Bracket
3	336JW1	Clamp
4	AAA712Y2	Rope, Wire, Length = rise + pit + overhead + 4 ft.
5	509W8	S-Hook, A = 2.25 in., B = 0.75 in
6	AAA485P1	Turnbuckle