

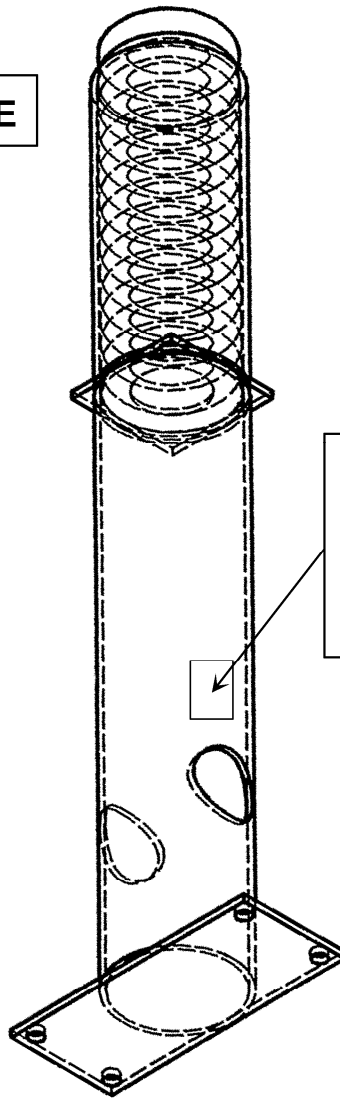
Buffer Stand

Spare Parts Leaflet

03-AAA320EP

August 20, 2004 / Page 1 of 4

W/O VINTAGE



Spring Buffer Data Plate
Typical Setup

○	SPRING P/N	○
	STROKE	
	MAX LOAD	

OTIS

This document does not contain any technical data subject to EAR or ITAR

SERVICE ENGINEERING
Otis Elevator Company
Bloomfield, Connecticut USA

Unpublished Work—© Otis Elevator Co.; 2004

Leaflet Description

This leaflet provides parts information for the AAA320EP spring buffer used on LHML holeless elevator systems.

Leaflet Revisions

Date Revised	Subject Matter Expert	Reason for Revision
August 20, 2004	Troy Chicoine	New SPL
---	---	---

Related Drawings

Drawing No.	Title	Drawing No.	Title
AAA320EP	Buffer Stand	90ZD	Spring, Compression
90AL	Spring, Compression	---	---

Related Documents

Document ID	Title
SPL 03-AAA320FY	Spring Buffer—Holeless
SPL 03-AAA320FV	Telescopic Buffer Bumper

Subject Matter Expert

Name	Department
Troy Chicoine	OSC Service Engineering

About Spare Parts Leaflets...

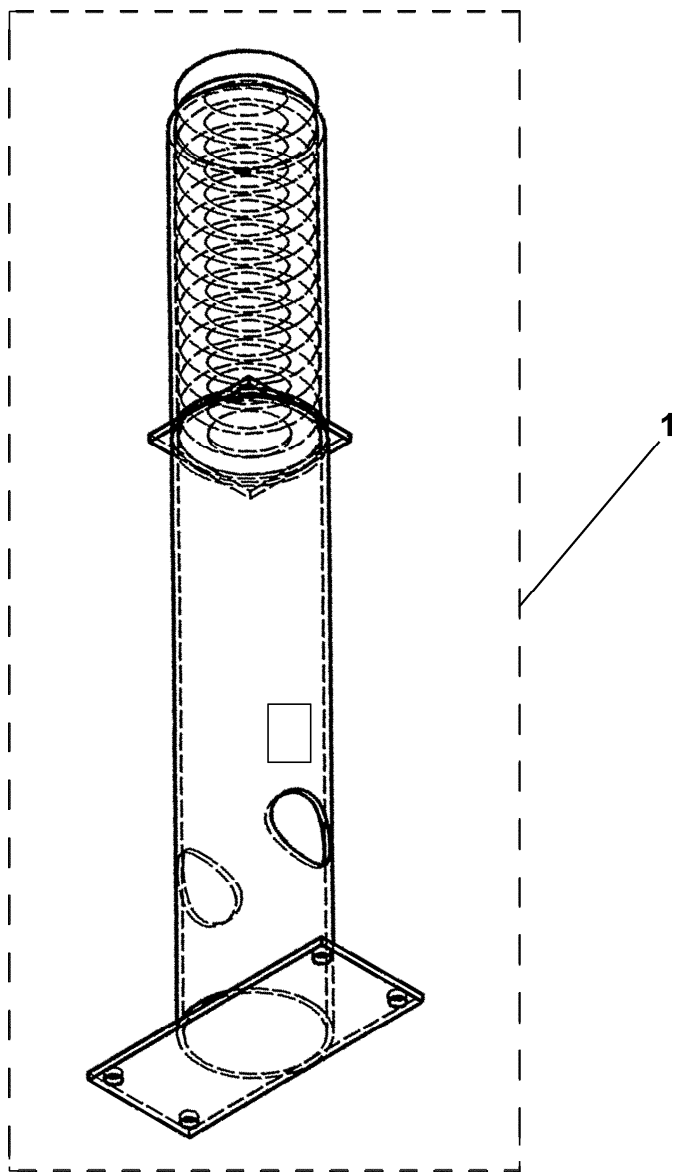
This document lists the lowest replaceable units (LRUs) for the standard version of the product. The LRUs are chosen by a team of Otis associates representing engineering and manufacturing.

While goal of this document is to make parts identification as easy as possible, the document cannot be all-inclusive. Elevator and escalator contracts classified as “special” or “custom” are not addressed here. For such contracts, please refer to specified information, the contract folder, TIPS, Field Education Articles, Construction Letters, etc. for further information.

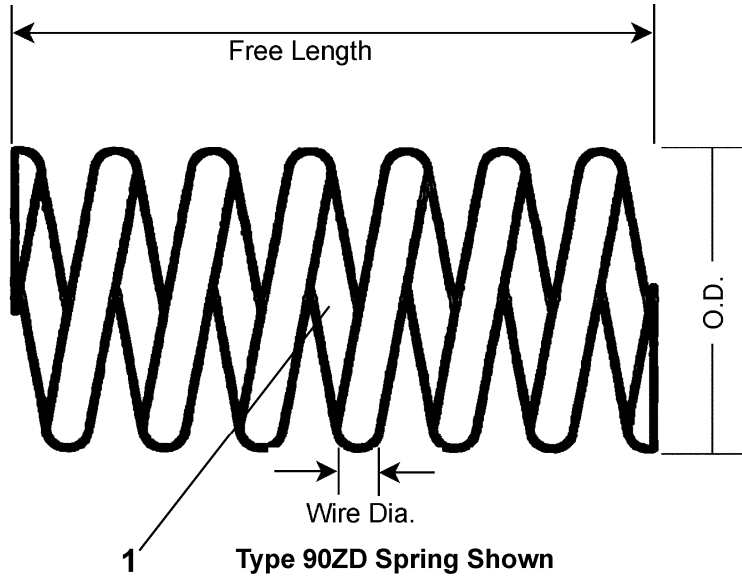
If you have any suggestions about this document, please contact the subject matter expert listed on this page.

Buffer Stand

03-AAA320EP



REF. No.	W/O VINTAGE PART No.	DESCRIPTION	STROKE (in.)	ALLOWABLE STRIKING LOAD (lb.)	
				MIN	MAX
1	AAA320EP1	Assembly, Buffer Stand	2.75	3300	4400
	AAA320EP2			4920	6000



REF. No.	W/O VINTAGE		DESCRIPTION	BUFFER ASSEMBLY	WIRE DIA. (in.)	O.D. (in.)	LENGTH (in.)
	PART No.						
1	90AL2		Spring	AAA320EP1	1.25	5.75	18.62
	90ZD3			AAA320EP2	1.50	6.88	18.50