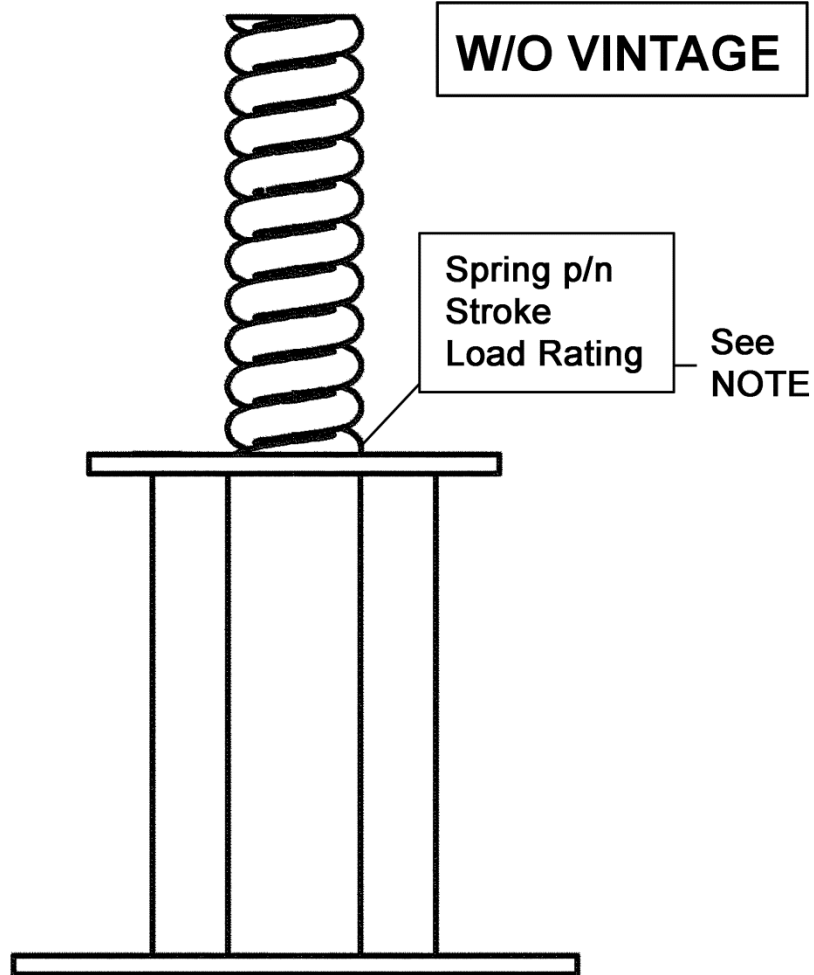


**Spring Buffer,
Telescopic Hydraulic
Elevators**

Spare Parts Leaflet

03-AAA320FV

October 17, 2012 / Page 1 of 9



NOTE: The spring buffer load rating is not the max striking load, but is the load required to compress the spring an amount equal to its stroke.

OTIS

This document does not contain any technical data subject to EAR or ITAR

**SERVICE ENGINEERING
Otis Elevator Company
Bloomfield, Connecticut USA**

Unpublished Work—© Otis Elevator Co.; 2012

Leaflet Description

This leaflet provides parts information for type AAA320FV spring buffer used on LVT hydraulic elevators with telescopic jacks.

Leaflet Revisions

Date Revised	Subject Matter Expert	Reason for Revision
May 8, 2003	Troy Chicoine	New SPL
May 15, 2009	Troy Chicoine	Added AAA320FV9 through 20; Added 102DP data tags; reformatted.
August 25, 2010	Gary Mendrala	Corrected 'H' dim. in illustrations pp 3–5; add info.
October 17, 2012	Gary Mendrala	Added arrangements 31-54, and shim kit p/n on p. 9

Related Drawings

Drawing No.	Title	Drawing No.	Title
AAA320FV	Telescopic Buffer Bumper	AAA90DU	Spring
AAA320FW	Weldment	---	---

Related Documents

Document ID	Title
SPL 03-AAA320FS	Spring Buffer
SPL 03-AAA320FY	Spring Buffer Holeless

Subject Matter Expert

Name	Department
Gary Mendrala	OSC Service Engineering

About Spare Parts Leaflets...

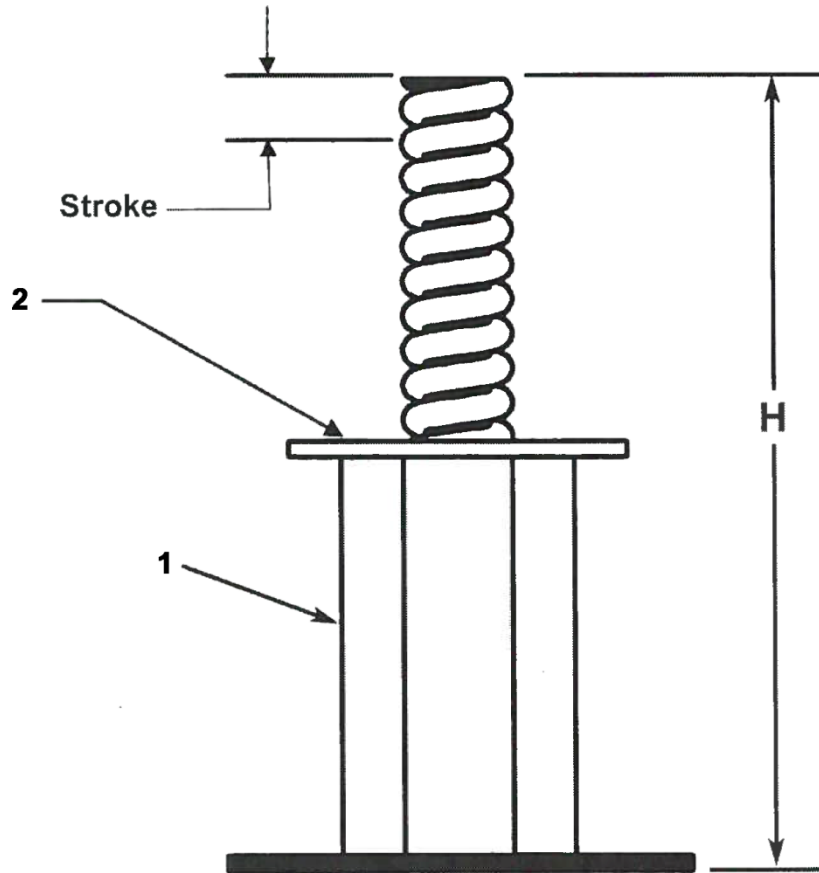
This document lists the lowest replaceable units (LRUs) for the standard version of the product. The LRUs are chosen by a team of Otis associates representing engineering and manufacturing.

While goal of this document is to make parts identification as easy as possible, the document cannot be all-inclusive. Elevator and escalator contracts classified as “special” or “custom” are not addressed here. For such contracts, please refer to specified information, the contract folder, TIPS, Field Education Articles, Construction Letters, etc. for further information.

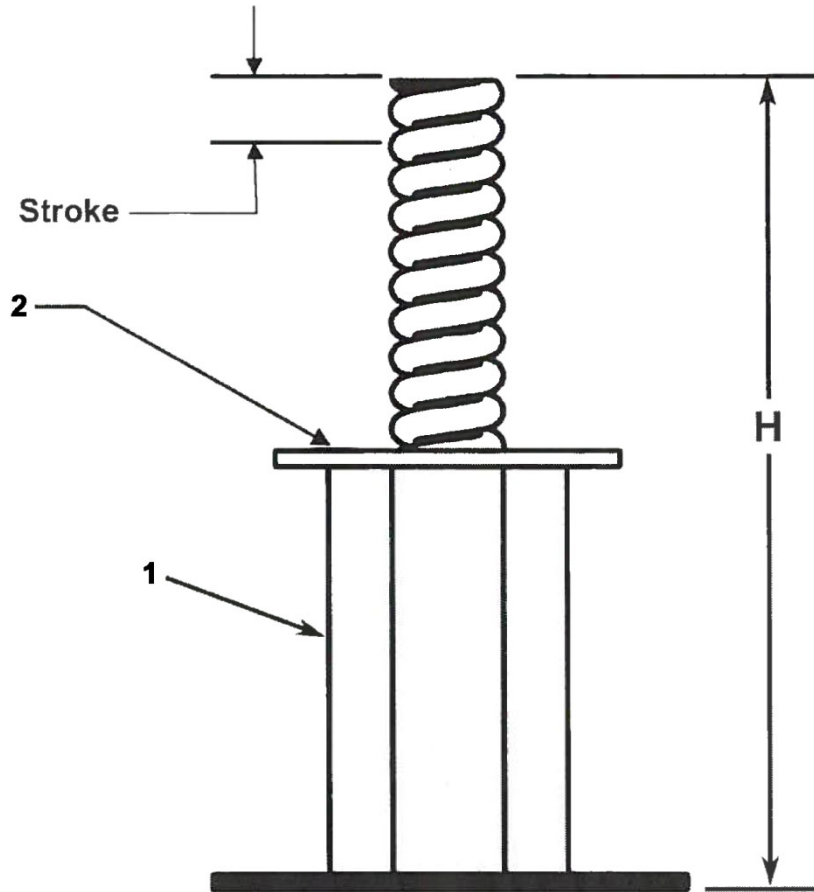
If you have any suggestions about this document, please contact the subject matter expert listed on this page.

1.75 in. Stroke Buffer Assembly

03-AAA320FV



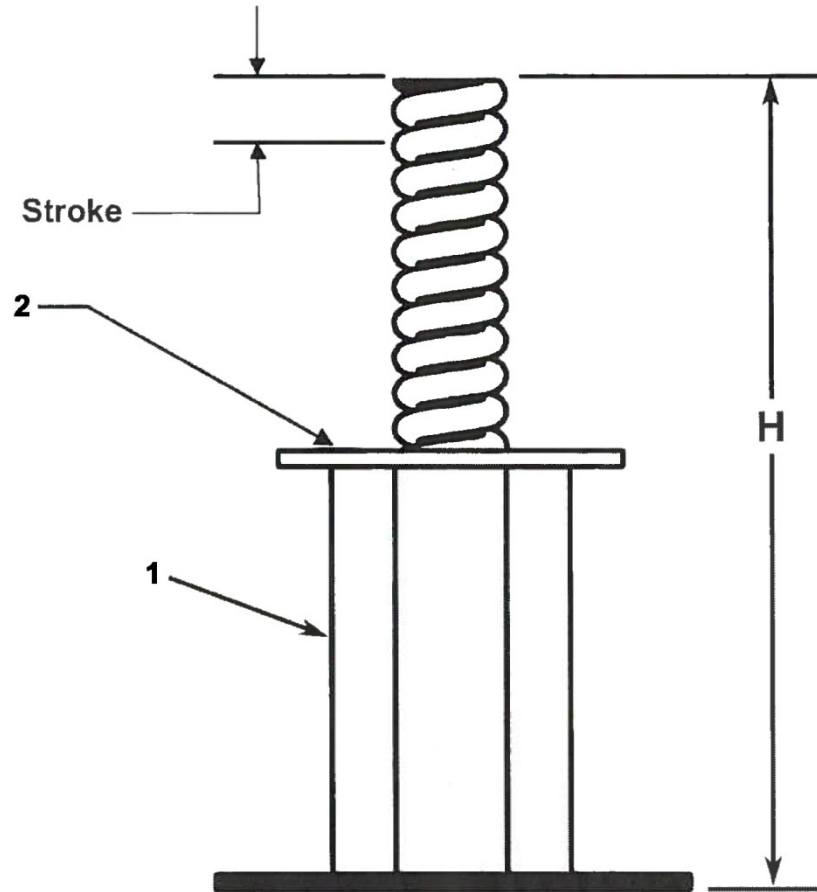
		W/O VINTAGE				
REF. No.	PART No.	USED W/ SPRING	H (height, in.)	DESCRIPTION	ALLOWABLE STRIKING LOAD (lb.)	
					MIN	MAX
1	AAA320FV1	AAA90DU6	29.66	Assembly, Spring Buffer	10549	15745
	AAA320FV2	AAA90DU7			16619	24805
	AAA320FV3	AAA90DU6	41.66		10549	15745
	AAA320FV4	AAA90DU7			16619	24805
	AAA320FV9	AAA90DU6	53.66		10549	15745
	AAA320FV10	AAA90DU7			16619	24805
	AAA320FV11	AAA90DU6	65.66		10549	15745
	AAA320FV12	AAA90DU7			16619	24805
	AAA320FV13	AAA90DU6	71.66		10549	15745
	AAA320FV14	AAA90DU7			16619	24805
2	102DP48	AAA90DU6	---	Tag, Data		
	102DP49	AAA90DU7	---			



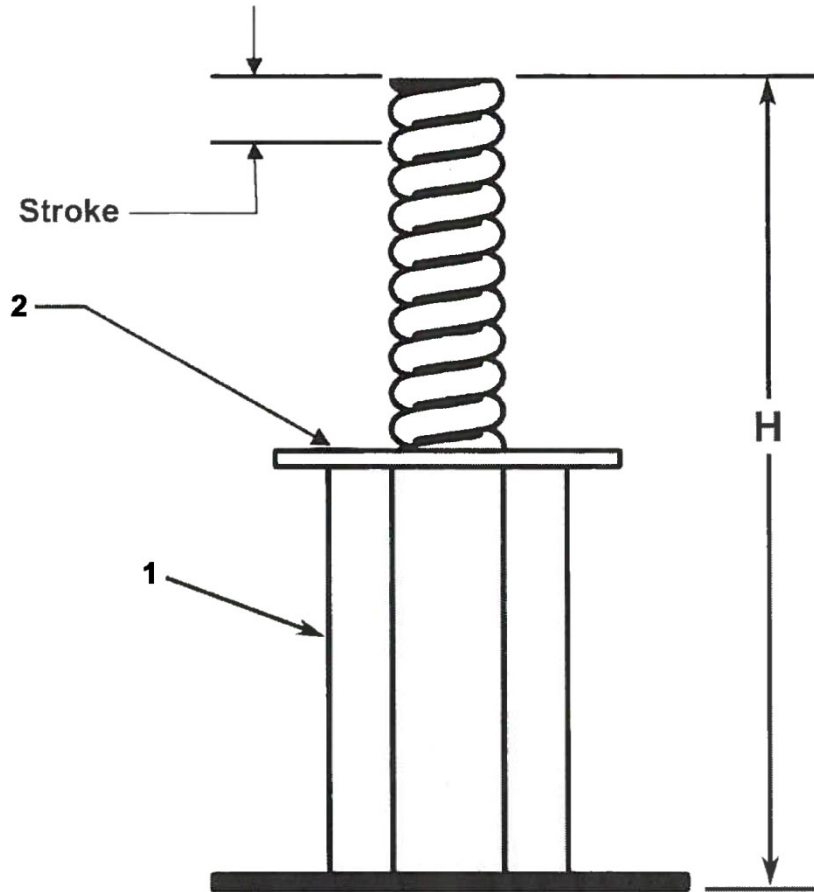
		W/O VINTAGE				
REF. No.	PART No.	USED W/ SPRING	H (height, in.)	DESCRIPTION	ALLOWABLE STRIKING LOAD (lb.)	
					MIN.	MAX.
1	AAA320FV21	AAA90DU6	33.16	Assembly, Spring Buffer	10549	15745
	AAA320FV22	AAA90DU7			16619	24805
	AAA320FV23	AAA90DU6	45.16		10549	15745
	AAA320FV24	AAA90DU7			16619	24805
	AAA320FV25	AAA90DU6	57.16		10549	15745
	AAA320FV26	AAA90DU7			16619	24805
	AAA320FV27	AAA90DU6	69.16		10549	15745
	AAA320FV28	AAA90DU7			16619	24805
	AAA320FV29	AAA90DU6	75.16		10549	15745
	AAA320FV30	AAA90DU7			16619	24805
2	102DP48	AAA90DU6	---	Tag, Data		
	102DP49	AAA90DU7	---			

2.75 in. Stroke Buffer Assembly

03-AAA320FV



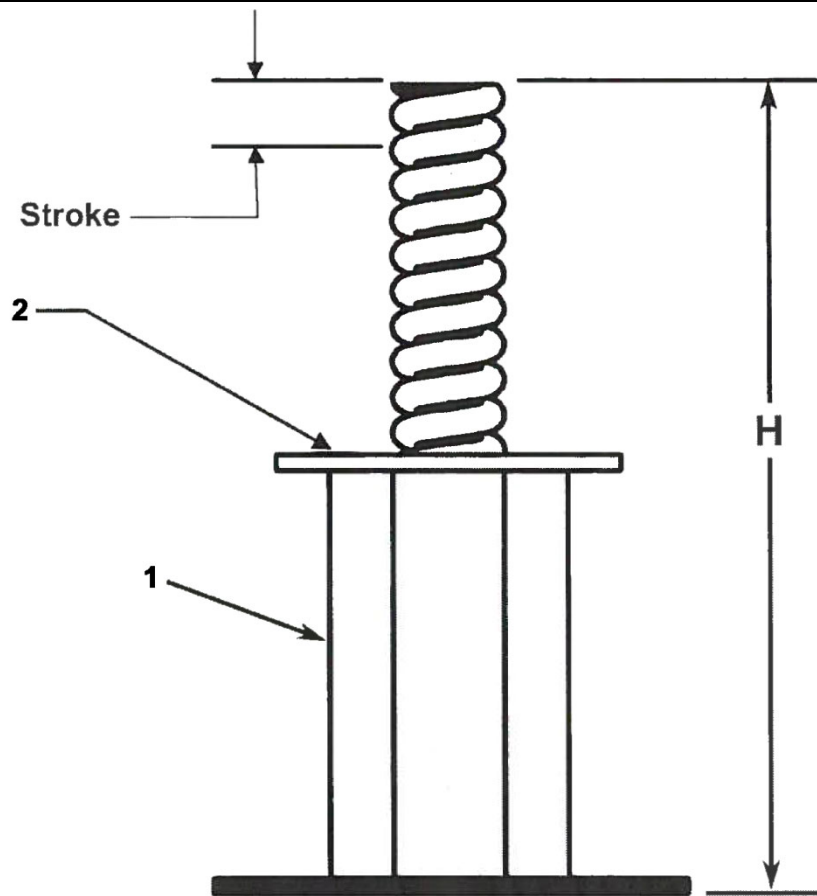
W/O VINTAGE						
REF. No.	PART No.	USED W/ SPRING	H (height, in.)	DESCRIPTION	ALLOWABLE STRIKING LOAD (lb.)	
					MIN.	MAX.
1	AAA320FV5	AAA90DU2	29.66	Assembly, Spring Buffer	10550	15746
	AAA320FV6	AAA90DU3			16532	24674
	AAA320FV7	AAA90DU2	41.66		10550	15746
	AAA320FV8	AAA90DU3			16532	24674
	AAA320FV15	AAA90DU2	53.66		10550	15746
	AAA320FV16	AAA90DU3	65.66		16532	24674
	AAA320FV17	AAA90DU2			10550	15746
	AAA320FV18	AAA90DU3	71.66		16532	24674
	AAA320FV19	AAA90DU2			10550	15746
	AAA320FV20	AAA90DU3	16532		24674	
2	102DP46	AAA90DU2	---	Tag, Data		
	102DP47	AAA90DU3	---			



REF. No.	W/O VINTAGE		H (height, in.)	DESCRIPTION	ALLOWABLE STRIKING LOAD (lb.)	
	PART No.	USED W/ SPRING			MIN.	MAX.
1	AAA320FV31	90ND5	29.88	Assembly, Spring Buffer	4040	6060
	AAA320FV32	90TD4			6061	9014
	AAA320FV33	90AL2			9015	13500
	AAA320FV34	90ZD3			13501	20125
	AAA320FV35	90ND5	28.93		4040	6060
	AAA320FV36	90TD4			6061	9014
	AAA320FV37	90AL2			9015	13500
	AAA320FV38	90ZD3			13501	20125
2	102DP50	90ND5	---	Tag, Data		
	102DP51	90TD4				
	102DP52	90AL2				
	102DP53	90ZD3				

3.75 in. Stroke Buffer Assembly

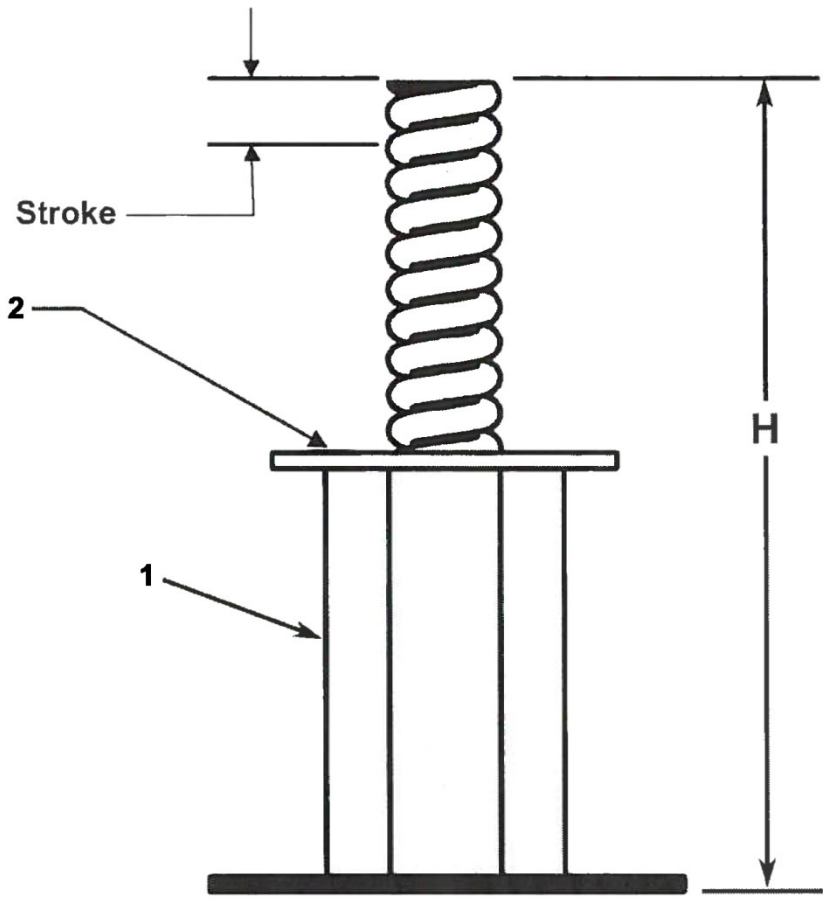
03-AAA320FV



		W/O VINTAGE				
REF. No.	PART No.	USED W/ SPRING	H (height, in.)	DESCRIPTION	ALLOWABLE STRIKING LOAD (lb.)	
					MIN.	MAX.
1	AAA320FV39	90ND5	41.89	Assembly, Spring Buffer	4040	6060
	AAA320FV40	90TD4			6061	9014
	AAA320FV41	90AL2			9015	13500
	AAA320FV42	90ZD3			13501	20125
	AAA320FV43	90ND5	40.94		4040	6060
	AAA320FV44	90TD4			6061	9014
	AAA320FV45	90AL2			9015	13500
	AAA320FV46	90ZD3			13501	20125
2	102DP50	90ND5	---	Tag, Data		
	102DP51	90TD4				
	102DP52	90AL2				
	102DP53	90ZD3				

3.75 in. Stroke Buffer Assembly

03-AAA320FV

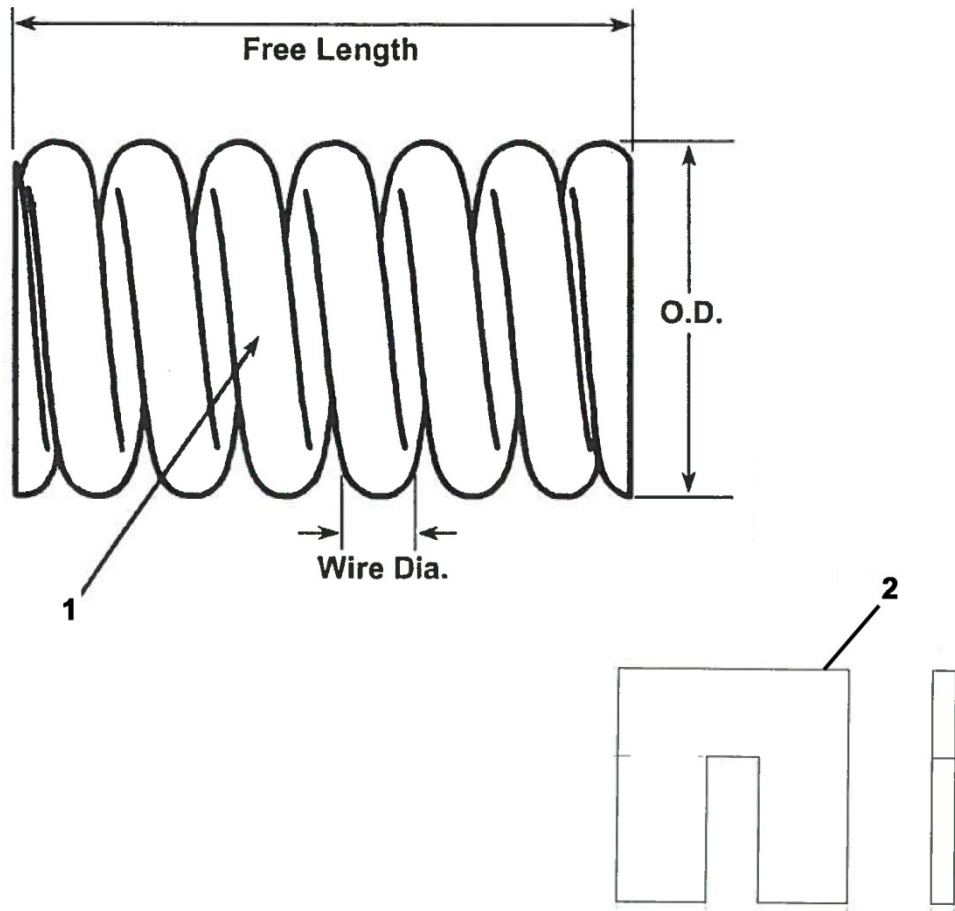


W/O VINTAGE

REF. No.	PART No.	USED W/ SPRING	H (height, in.)	DESCRIPTION	ALLOWABLE STRIKING LOAD (lb.)	
					MIN.	MAX.
1	AAA320FV47	90ND5	53.89	Assembly, Spring Buffer	4040	6060
	AAA320FV48	90TD4			6061	9014
	AAA320FV49	90AL2			9015	13500
	AAA320FV50	90ZD3			13501	20125
	AAA320FV51	90ND5	52.95		4040	6060
	AAA320FV52	90TD4			6061	9014
	AAA320FV53	90AL2			9015	13500
	AAA320FV54	90ZD3			13501	20125
2	102DP50	90ND5	---	Tag, Data		
	102DP51	90TD4				
	102DP52	90AL2				
	102DP53	90ZD3				

Spring, Shims

03-AAA320FV



		W/O VINTAGE				
REF. No.	PART No.	WIRE DIA. (in.)	O.D. (in.)	LENGTH (in.)	DESCRIPTION	
1	AAA90DU2	1.38	6.25	15.50	Spring	
	AAA90DU3	1.75	8.19	15.50		
	AAA90DU6	1.19	4.44	14.50		
	AAA90DU7	1.50	5.69	14.50		
	90ND5	0.81	3.63	18.50		
	90TD4	1.00	4.50	18.50		
	90AL2	1.25	5.75	18.62		
	90ZD3	1.50	6.88	18.50		
2	AAA320FV400	---	---	---	Shim Kit, Includes 10 Shims, 1.219 in. Total Thickness	