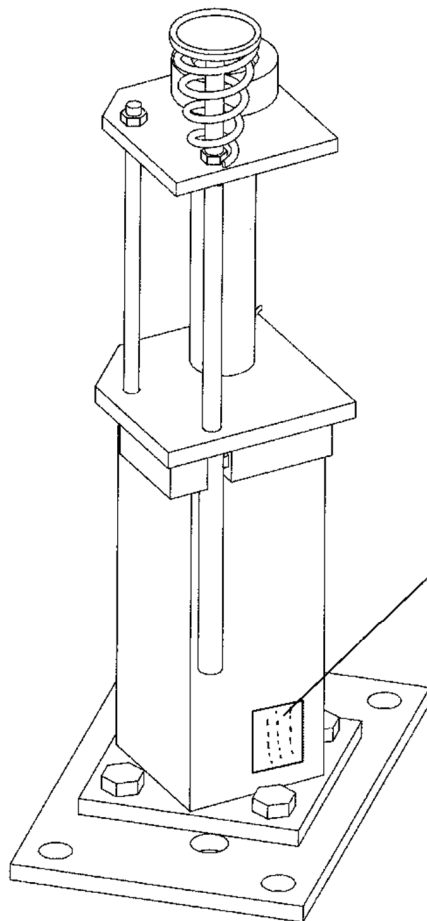


# Buffer Assembly

**Spare Parts Leaflet**

**03-AAA6136BE**

**March 24, 2021 / Page 1 of 14**



**VINTAGE**

OLEO  
Otis P/N: AAA6136BE\_—  
OLEO P/N: SEB\_—  
or LB\_—

**OTIS**

This document does not contain any technical data subject to EAR or ITAR

**SERVICE ENGINEERING**  
**Otis Elevator Company**  
**Bloomfield, Connecticut USA**

Unpublished Work—© Otis Elevator Co.; 2021

**Leaflet Description**

This leaflet provides spare parts information for type AAA6136BE buffer assemblies. These buffers are designed and manufactured by OLEO International and specified for use on Otis equipment. OLEO-produced buffers may also be found on competitors' equipment.

**Leaflet Revisions**

<b>Date Revised</b>	<b>Subject Matter Expert</b>	<b>Reason for Revision</b>
June 28, 2002	Troy Chicoine	New SPL
June 15, 2005	Troy Chicoine	Corrected part identities, Ref. 6 on pages 12 and 14.
January 13, 2010	Jordan Winter	Added/updated parts/descriptions pp 5, 8, 12, and 14
March 24, 2021	Brian Regan	Struck out buffer part numbers w/ rope stretch indicator switch on pp. 4, 7, 11, and 13

**Related Drawings**

<b>Drawing No.</b>	<b>Title</b>	<b>Drawing No.</b>	<b>Title</b>
AAA6136BE	Buffer Assembly	---	---
---	---	---	---

**Related Documents**

<b>Document ID</b>	<b>Title</b>
TIP 14.2-5	Replacement of Spring Return Oil Buffers
---	---

**Subject Matter Expert**

<b>Name</b>	<b>Department</b>
Brian Regan	OSC Service Engineering

**About Spare Parts Leaflets...**

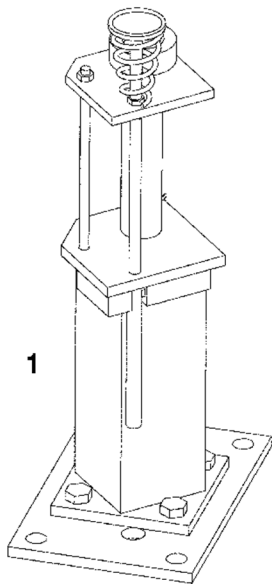
This document lists the lowest replaceable units (LRUs) for the standard version of the product. The LRUs are chosen by a team of Otis associates representing engineering and manufacturing.

While goal of this document is to make parts identification as easy as possible, the document cannot be all-inclusive. Elevator and escalator contracts classified as "special" or "custom" are not addressed here. For such contracts, please refer to specified information, the contract folder, TIPs, Field Education Articles, Construction Letters, etc. for further information.

If you have any suggestions about this document, please contact the subject matter expert listed on this page.

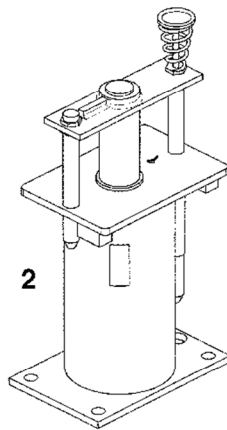
# Table of Contents

**03-AAA6136BE**



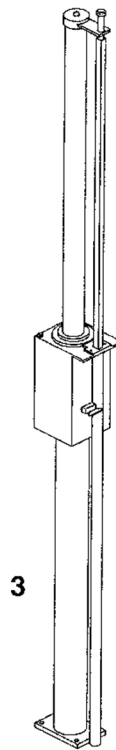
1

**SEB 16-25**



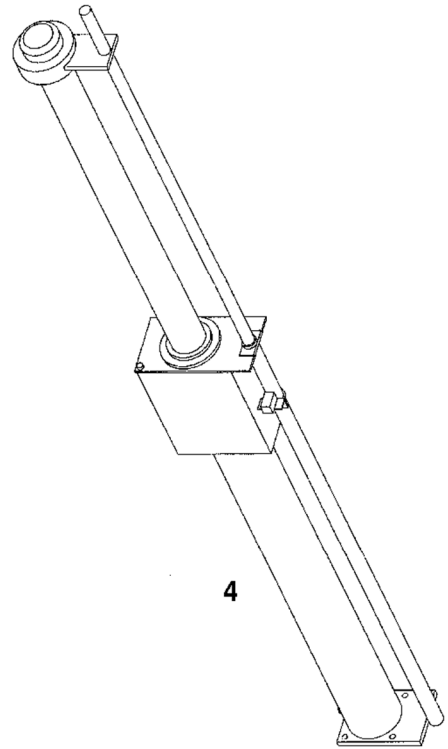
2

**LB 16-40**







3

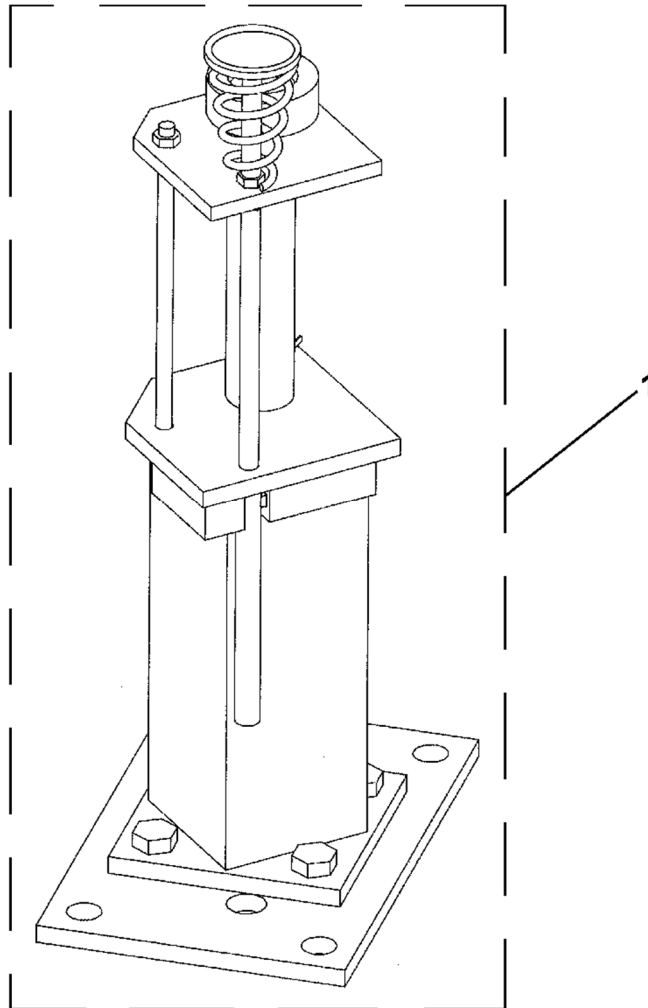
**LB 50-55**



4

**LB 60**

<b>REF. No.</b>	<b>PAGE No.</b>	<b>OLEO BUFFER TYPE</b>	<b>BUFFER STROKE (in.)</b>
1	 pp. 4–6	SEB 16-25	6.81–17.13
2	 pp. 7–10	LB 16-40	7.99–44.92
3	 pp. 11–12	LB 50-55	68.50–83.03
4	 pp. 13–14	LB 60	98.58



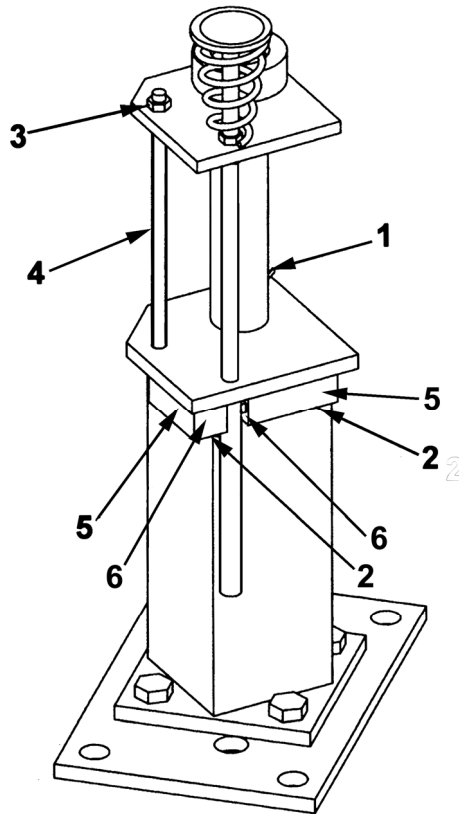
REF. No.	AAA6136BE		BUFFER STROKE (in.)	RATED STRIKING LOAD (lb.)		
	PART No.	DESCRIPTION		MIN	MAX	
				AAA6136BE21	Assembly, Buffer, w/o Rope Stretch Indicator Switch	6.81
AAA6136BE22	8.62					
AAA6136BE23	10.98					
AAA6136BE24	17.13					
1	AAA6136BE41	Assembly, Buffer, w/ Rope Stretch Indicator Switch <b>NOTE</b>	6.81			
	AAA6136BE42		8.62			
	AAA6136BE43		10.98			
	AAA6136BE44		17.13			

**NOTE:** See equivalent buffer w/o rope stretch indicator switch for replacement.

*(Continued on next page)*

# OLEO SEB 16-25 Buffer Assembly Components

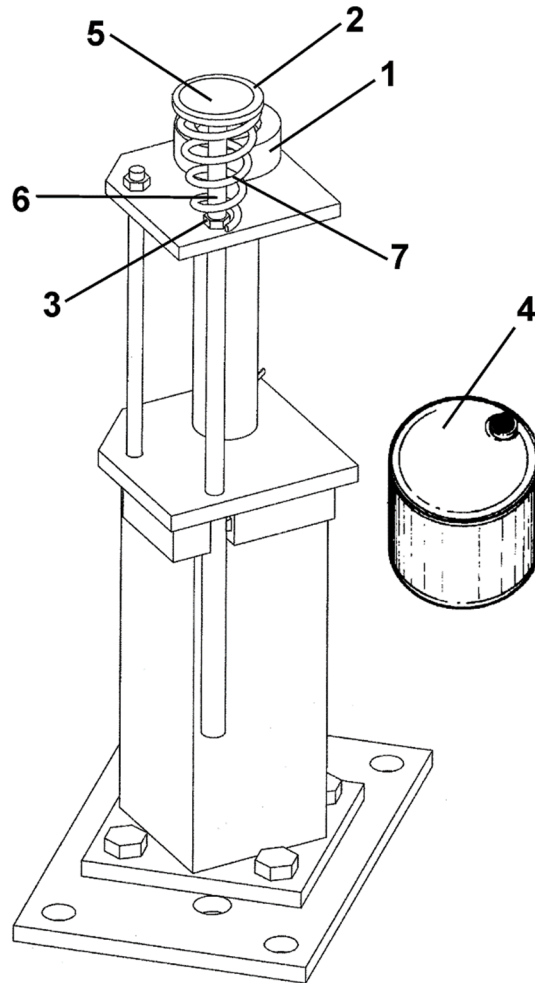
**03-AAA6136BE**



AAA6136BE			
REF. No.	PART No.	DESCRIPTION	BUFFER STROKE (in.)
1	AAA6136BE514	Dipstick	6.81
	AAA6136BE515		8.62
	AAA6136BE516		10.98
	AAA6136BE517		17.13
2	AAA6136BE501	Gland, Cable (14 NPT thread)	---
3	---	Nut, Jam, M10 Thread	
4	AAA6136BE536	Rod, Buffer Switch (striker)	6.81
	AAA6136BE537		8.62
	AAA6136BE538		10.98
	AAA6136BE539		17.13
5	AAA6136BE551	Switch (M20 thread)	---
	AAA6136BE552	Switch, Explosion Proof	
6	AAA6136BE585	Thread Adaptor (M20 to 14 NPT)	---

*(Continued on next page)*

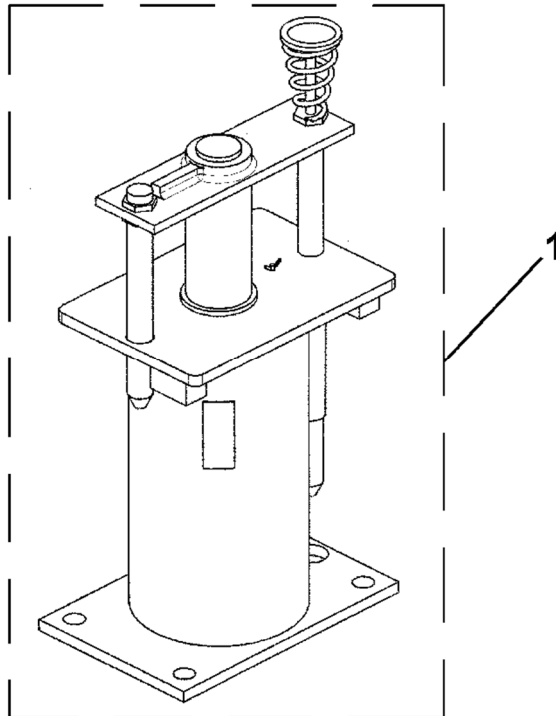
**OLEO SEB 16-25 Buffer  
Assembly Components**



AAA6136BE			
REF. No.	PART No.	DESCRIPTION	BUFFER STROKE (in.)
1	AAA6136BE522	Bumper	---
2	AAA6136BE568	Cap, Top	
3	---	Nut, Jam, M12 Thread	
4	VP-418940	Oil, Otis Spec # 10, 5-Gallon Container	
5	AAA6136BE525	Pad	
6	AAA6136BE570	Rod, Rope Switch (striker)	6.81
	AAA6136BE571		8.62
	AAA6136BE572		10.98
	AAA6136BE573		17.13
7	AAA6136BE527	Spring	---

# OLEO LB16-40 Buffer Assembly

**03-AAA6136BE**

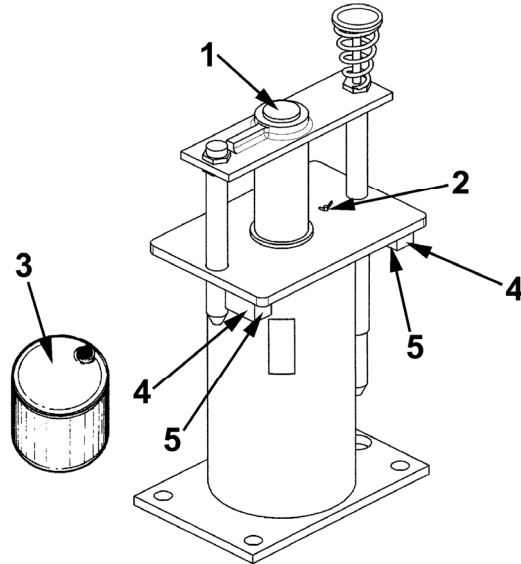


REF. No.	PART No.	DESCRIPTION	BUFFER STROKE (in.)	RATED STRIKING LOAD (lbs.)	
				MIN	MAX
1	AAA6136BE25	Assembly, Buffer, w/o Rope Stretch Indicator Switch	7.99	1102	18364
	AAA6136BE26		9.80		
	AAA6136BE27		11.81		
	AAA6136BE28		15.24		
	AAA6136BE29		18.19		
	AAA6136BE30		27.52		
	AAA6136BE31	34.69	2204		
	AAA6136BE32	44.92			
	AAA6136BE45	Assembly, Buffer, w/ Rope Stretch Indicator Switch NOTE	7.99	1102	
	AAA6136BE46		9.80		
	AAA6136BE47		11.81		
	AAA6136BE48		15.24		
	AAA6136BE49		18.19		
	AAA6136BE50		27.52		1543
	AAA6136BE51		34.69		2204
	AAA6136BE52		44.92		

**NOTE:** See equivalent buffer w/o rope stretch indicator switch for replacement.

*(Continued on next page)*

**OLEO LB16-40 Buffer  
Assembly Components**



<b>AAA6136BE</b>			
<b>REF. No.</b>	<b>PART No.</b>	<b>DESCRIPTION</b>	<b>BUFFER STROKE (in.)</b>
*	AAA6136BE500	Bracket, Buffer Switch Striker	---
1	AAA6136BE521	Bumper	
2	AAA6136BE506	Dipstick	7.99
	AAA6136BE507		9.80
	AAA6136BE508		11.81
	AAA6136BE509		15.24
	AAA6136BE510		18.19
	AAA6136BE511		27.52
	AAA6136BE512		34.69
	AAA6136BE513		44.92
*	AAA6136BE501	Gland, Cable (14 NPT thread)	---
3	VP-418940	Oil, Otis Spec # 10, 5-Gallon Container	
4	AAA6136BE549	Switch, w/o Rope Stretch Switch (M20 thread)	
	AAA6136BE550	Switch (explosion proof), w/o Rope Stretch Switch	
	AAA6136BE551	Switch, w/ Rope Stretch Switch (M20 thread)	
	AAA6136BE552	Switch (explosion proof), w/ Rope Stretch Switch	
5	AAA6136BE585	Adapter (M20 to PG3.5)	

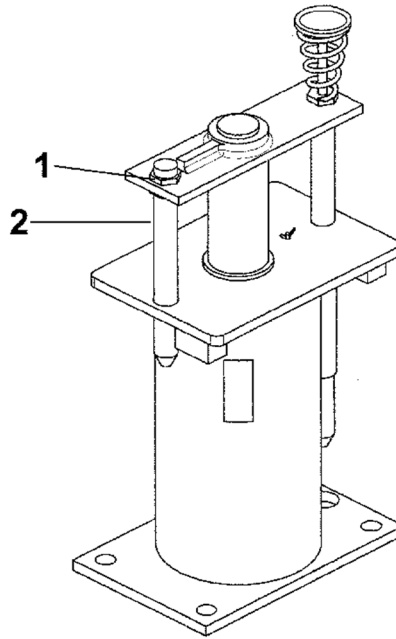
\* Parts not shown.

(Continued on next page)



# OLEO LB16-40 Buffer Assembly Components

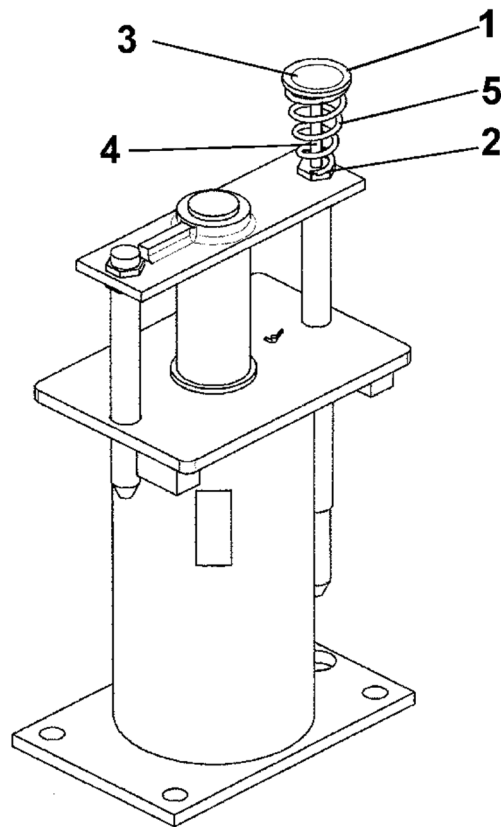
**03-AAA6136BE**



<b>AAA6136BE</b>				
<b>REF. No.</b>	<b>PART No.</b>	<b>DESCRIPTION</b>	<b>BUFFER STROKE (in.)</b>	<b>ROPE STRETCH SWITCH</b>
1	---	Nut, Jam, M10 Thread	---	---
2	AAA6136BE529	Rod, Buffer Switch (striker)	7.99	without
	AAA6136BE530		9.80	
	AAA6136BE531		11.81	
	AAA6136BE532		15.24	
	AAA6136BE533		18.19	
	AAA6136BE534		27.52	
	AAA6136BE535		34.69	
	AAA6136BE540		44.92	
	AAA6136BE541		7.99	with
	AAA6136BE542		9.80	
	AAA6136BE543		11.81	
	AAA6136BE544		15.24	
	AAA6136BE545		18.19	
	AAA6136BE546		27.52	
	AAA6136BE547		34.69	
	AAA6136BE548		44.92	

*(Continued on next page)*

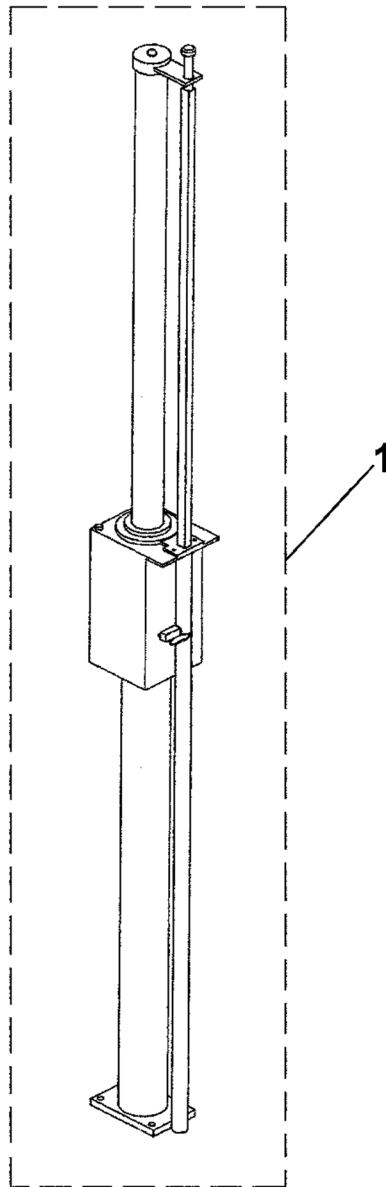
**OLEO LB16-40 Buffer  
Assembly Components**




<b>AAA6136BE</b>				
<b>REF. No.</b>	<b>PART No.</b>	<b>DESCRIPTION</b>	<b>BUFFER STROKE (in.)</b>	<b>ROPE STRETCH SWITCH</b>
1	AAA6136BE568	Cap, Top	---	with
2	---	Nut, Jam, M12 Thread		with
3	AAA6136BE525	Pad		with
4	AAA6136BE574	Rod, Rope Stretch Switch (striker)	7.99	---
	AAA6136BE575		9.80	
	AAA6136BE576		11.81	
	AAA6136BE577		15.24	
	AAA6136BE578		18.19	
	AAA6136BE579		27.52	
	AAA6136BE580		34.69	
	AAA6136BE581	44.92		
5	AAA6136BE527	Spring	---	with

# OLEO LB 50-55 Buffer Assembly

**03-AAA6136BE**

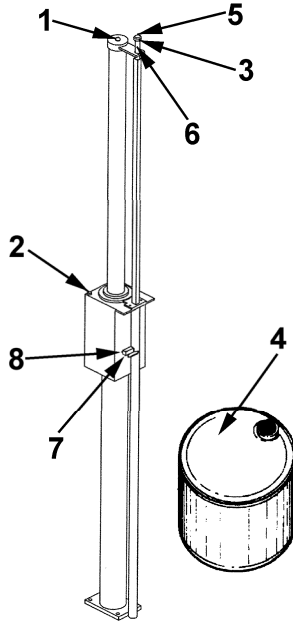


REF. No.	AAA6136BE				
	PART No.	DESCRIPTION	BUFFER STROKE (in.)	RATED STRIKING LOAD (lb.)	
				MIN	MAX
1	AAA6136BE34	Assembly, Buffer, w/o Rope Stretch Indicator Switch	68.50	3307	16535
	AAA6136BE35		83.03	2755	
	AAA6136BE54	Assembly, Buffer, w/ Rope Stretch Indicator Switch,  <b>NOTE</b>	68.50	3307	
	AAA6136BE55		83.03	2755	

**NOTE:** See equivalent buffer w/o rope stretch indicator switch for replacement.

*(Continued on next page)*

**OLEO LB 50-55 Buffer  
Assembly Components**



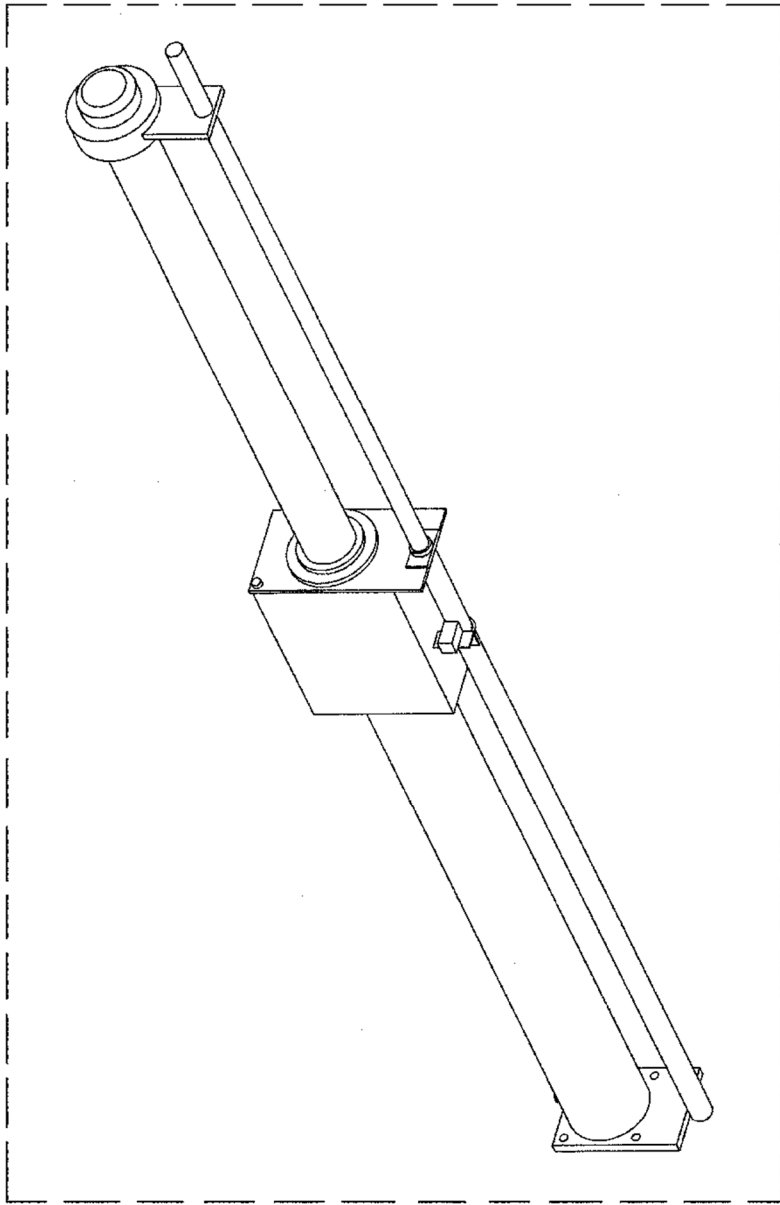
**AAA6136BE**

<b>REF. No.</b>	<b>PART No.</b>	<b>DESCRIPTION</b>	<b>BUFFER STROKE (in.)</b>	<b>ROPE STRETCH SWITCH</b>	
1	AAA6136BE523	Bumper	---	with	
2	AAA6136BE519	Cap, Oil Filler/Breather		---	
3	AAA6136BE569	Cap, Top		with	
*	AAA6136BE501	Gland, Cable (14 NPT thread)		---	
*	---	Nut, Jam, M10 Thread		---	
*	---	Nut, Jam, M12 Thread		with	
4	VP-418940	Oil, Otis Spec # 10, 5-Gallon Container		---	
5	AAA6136BE526	Pad		with	
6	AAA6136BE582	Rod, Buffer Switch (striker)		68.50	---
	AAA6136BE584			83.03	
	AAA6136BE582	Rod, Rope Stretch Switch (striker)	68.50	with	
	AAA6136BE584		83.03		
*	AAA6136BE528	Spring	---	with	
7	AAA6136BE553	Switch (M20 thread)		---	
	AAA6136BE554	Switch (explosion proof)		---	
8	AAA6136BE585	Adapter (M20 to 14 NPT)	---	---	

\* Parts not shown.

# OLEO LB 60 Buffer Assembly

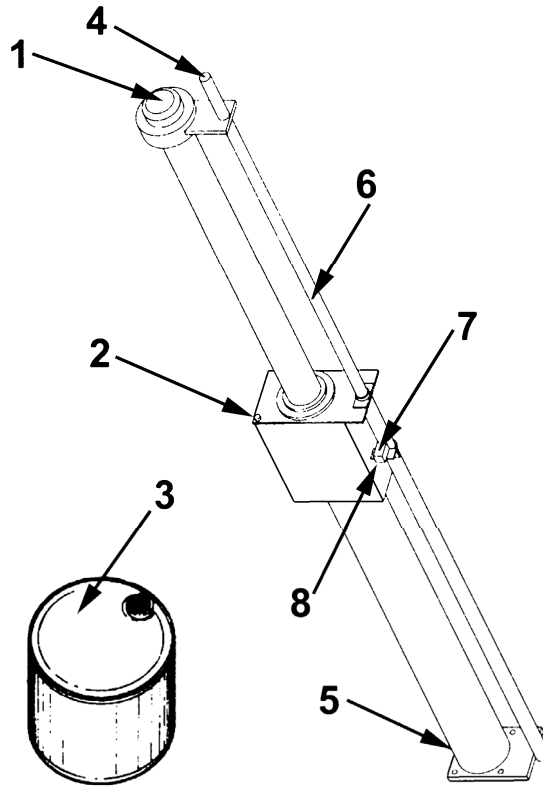
**03-AAA6136BE**



AAA6136BE					
REF. No.	PART No.	DESCRIPTION	BUFFER STROKE (in.)	RATED STRIKING LOAD (lb.)	
				MIN	MAX
1	AAA6136BE36	Assembly, Buffer, w/o Rope Stretch Indicator Switch	98.58	3307	22046
	AAA6136BE56	Assembly, Buffer, w/ Rope Stretch Indicator Switch, <b>NOTE</b>			

**NOTE:** See equivalent buffer w/o rope stretch indicator switch for replacement.

*(Continued on next page)*



AAA6136BE			
REF. No.	PART No.	DESCRIPTION	ROPE STRETCH SWITCH
1	AAA6136BE524	Bumper	---
2	AAA6136BE520	Cap, Oil Filler/Breather	
*	AAA6136BE569	Cap, Top	with
*	AAA6136BE501	Gland, Cable (14 NPT thread)	---
*	---	Nut, Jam, M10 Thread	
*	---	Nut, Jam, M12 Thread	with
3	VP-418940	Oil, Otis Spec # 10, 5-Gallon Container	---
4	AAA6136BE526	Pad	with
5	AAA6136BE518	Plug, Drain	---
6	AAA6136BE583	Rod, Buffer & Rope Stretch Switch (striker), Buffer Stroke = 98.58 in.	
	AAA6136BE583		with
*	AAA6136BE528	Spring	with
7	AAA6136BE553	Switch (M20 thread)	---
	AAA6136BE554	Switch (explosion proof)	
8	AAA6136BE585	Adapter (M20 to 14 NPT)	---

\* Parts not shown.