

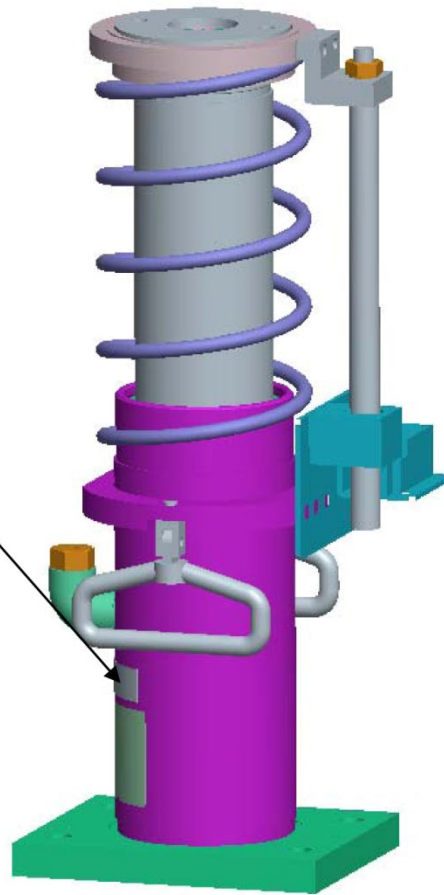
Buffer Assembly

Spare Parts Leaflet

03-DAA320R

September 10, 2007 / Page 1 of 10

03	D - DAA320R
----	-------------



Unpublished Work—© Otis Elevator Co.; 2007

OTIS

Safety First!

SERVICE ENGINEERING
Otis Elevator Company

Leaflet Description

This leaflet provides spare parts information for type DAA320R buffer assemblies. These buffers are designed and manufactured by Hebei Dongfang Machinery Factory and specified for use on Otis equipment.

Leaflet Revisions

Date Revised	Subject Matter Expert	Reason for Revision
September 10, 2007	Wang, Min (Allan)	New SPL

Related Drawings

Drawing No.	Title	Drawing No.	Title
DAA320R	Buffer Assembly	---	---
---	---	---	---

Related Documents

Document ID	Title
DAA320R_FMI	<i>Installation of Spring Return Oil Buffers</i>
---	---

Subject Matter Expert

Name	Department
Wang, Min (Allan)	OEC-SHA

About Spare Parts Leaflets...

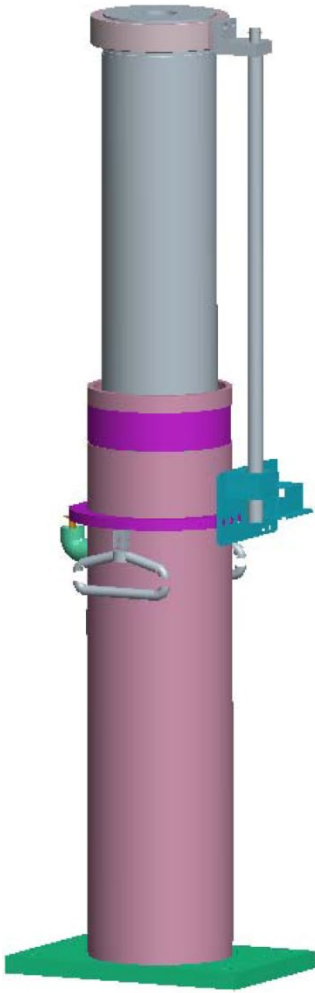
This document lists the lowest replaceable units (LRUs) for the standard version of the product. The LRUs are chosen by a team of Otis associates representing engineering and manufacturing.

While goal of this document is to make parts identification as easy as possible, the document cannot be all-inclusive. Elevator and escalator contracts classified as "special" or "custom" are not addressed here. For such contracts, please refer to specified information, the contract folder, TIPs, Field Education Articles, Construction Letters, etc. for further information.

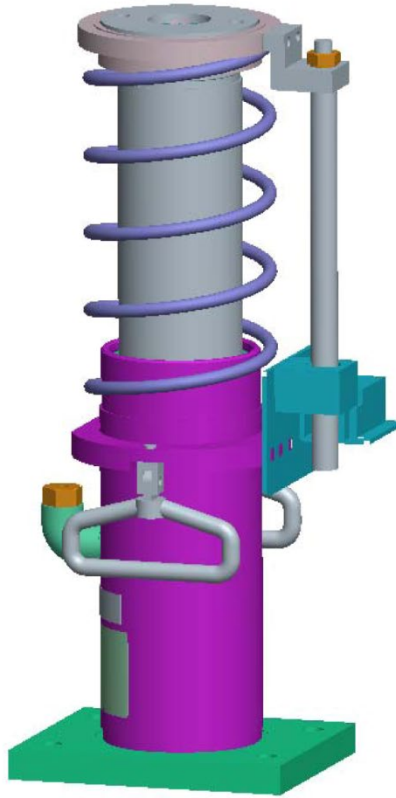
If you have any suggestions about this document, please contact the subject matter expert listed on this page.

Table of Contents

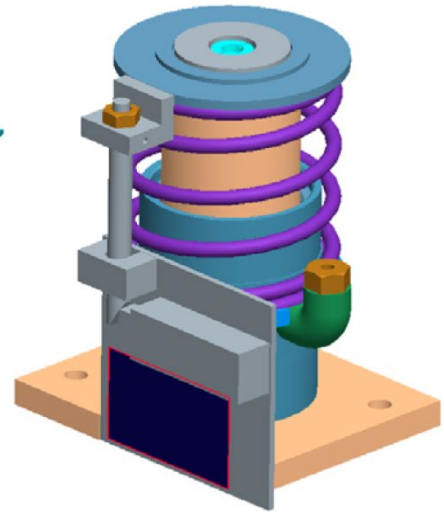
03-DAA320R



Type 1, IV

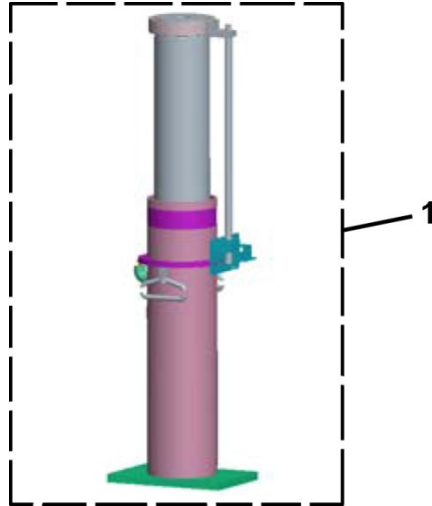


Type II, V



Type III, VI

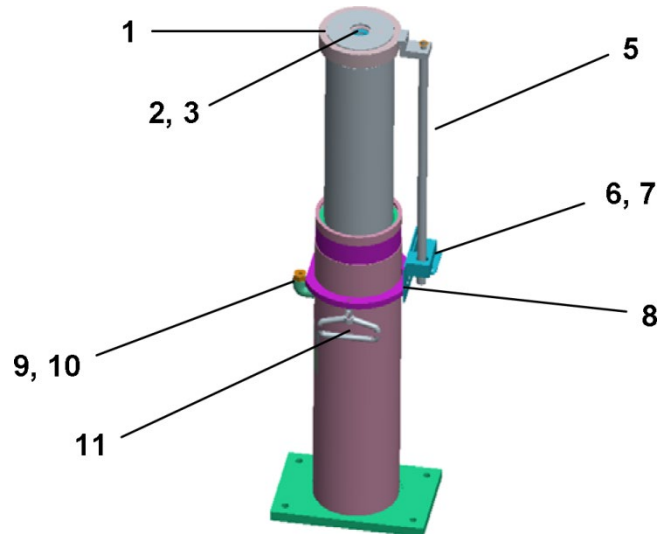
REF. No.	PAGE No.	Dongfang BUFFER TYPE	BUFFER STROKE	
			(mm)	(in.)
1	👁️ pp. 4-5	YH37, YH38, YH39, YH40	203-462	8.0-18.18
2	👁️ pp. 6-8	YH32, YH33, YH34, YH35, YH36	80-435	3.15-17.13
3	👁️ pp. 9-10	YH31	70	2.76



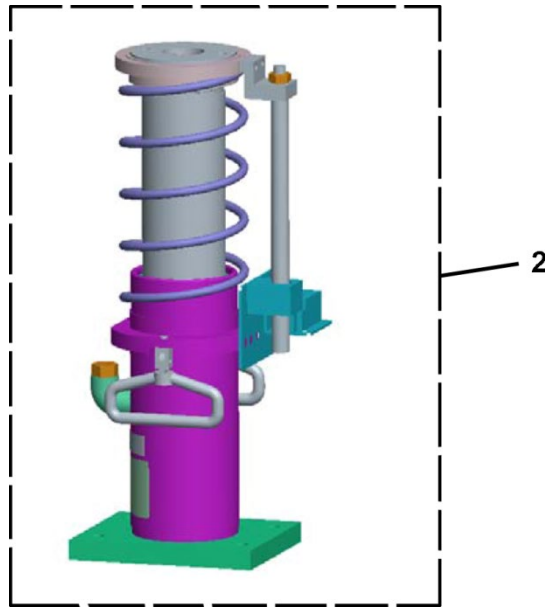
DAA320R						
REF. No.	PART No.	DESCRIPTION	CODE (CERTIFICATE)	BUFFER STROKE mm (in.)	RATED STRIKING LOAD kg (lb)	
					MIN	MAX
1	DAA320R7	Buffer Assembly, with LX26-UKT Switch, with Oil in Container	GB7588	203 (8.00)	2000 (4409)	8330 (18365)
	DAA320R8			249 (9.80)		
	DAA320R9			300 (11.81)		
	DAA320R10			462 (18.19)		
	DAA320R75	Buffer Assembly, with LX26-UKT Switch, with Oil Pre-fill	GB7588	203 (8.00)		
	DAA320R85			249 (9.80)		
	DAA320R95			300 (11.81)		
	DAA320R105			462 (18.19)		
	DAA320R71	Buffer Assembly, with GBA177HK2 Switch, with Oil Pre-fill	EN81 & A17.1/B44	203 (8.00)		
	DAA320R81			249 (9.80)		
	DAA320R91			300 (11.81)		
	DAA320R101			462 (18.19)		
	DAA320R72	Buffer Assembly, with GBA177HK2 Switch, without Oil	A17.1/B44	203 (8.00)		
	DAA320R82			249 (9.80)		
	DAA320R92			300 (11.81)		
	DAA320R102			462 (18.19)		
	DAA320R73	Buffer Assembly, without Switch, with Oil Pre-fill	A17.1/B44	203 (8.00)		
	DAA320R83			249 (9.80)		
	DAA320R93			300 (11.81)		
	DAA320R103			462 (18.19)		
DAA320R74	Buffer Assembly, without Switch, without Oil	A17.1/B44	203 (8.00)			
DAA320R84			249 (9.80)			
DAA320R94			300 (11.81)			
DAA320R104			462 (18.19)			

(Continued on next page)

Buffer Assembly Components

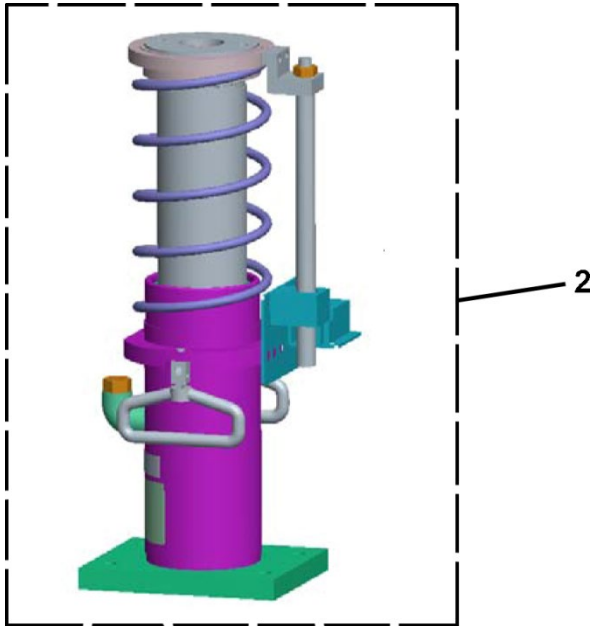


DAA320R			
REF. No.	PART No.	DESCRIPTION	BUFFER STROKE mm (in.)
1	DAA320R502	Rubber Plate	---
2	DAA320R504	Sealing Screw	
3	DAA320R506	"O" Ring 31.5 x 2.65	
4	VP-418940	Oil, Otis Spec # 44, 5-Gallon Container	
5	DAA320R513	Switch Rod Assembly	203 (8.00)
	DAA320R514		249 (9.80)
	DAA320R515		300 (11.81)
	DAA320R516		462 (18.19)
6	DAA320R517	Switch, LX26-UKT (for GB use)	---
	DAA320R520	Switch, GBA177HK2 (for EN81 & A17.1/B44 use)	
7	FAA174CZ1	Switch Cable (for GB use)	
		Switch Cable (for EN81& A17.1/B44 use)	
8	DAA320R522	Switch Mounting Bracket (for GB use)	
	DAA320R523		
	DAA320R525	Switch Mounting Bracket (for EN81 & A17.1/B44 Use)	
	DAA320R526		
9	DAA320R529	Elbow Threaded Cap	
10	DAA320R530	"O" Ring 15 x 2.65	
11	DAA320R531	Lifting Handle	



DAA320R						
REF. No.	PART No.	DESCRIPTION	CODE (CERTIFICATE)	BUFFER STROKE mm (in.)	RATED STRIKING LOAD kg (lb)	
					MIN	MAX
2	DAA320R2	Buffer Assembly, with LX26-UKT Switch, with Oil in Container	GB7588	173 (6.81)	600 (1323)	4545 (10020)
	DAA320R3			219 (8.62)		
	DAA320R4			279 (10.98)		
	DAA320R5			435 (17.13)	700 (1543)	
	DAA320R6			80 (3.15)	600 (1323)	
	DAA320R25	Buffer Assembly, with LX26-UKT Switch, with Oil Pre-fill	GB7588	173 (6.81)	600 (1323)	4545 (10020)
	DAA320R35			219 (8.62)		
	DAA320R45			279 (10.98)		
	DAA320R55			435 (17.13)	700 (1543)	
	DAA320R65			80 (3.15)	600 (1323)	
	DAA320R21	Buffer Assembly, with GBA177HK2 Switch, with Oil Pre-fill	EN81 & A17.1/B44 & ECK	173 (6.81)	600 (1323)	4545 (10020)
	DAA320R31			219 (8.62)		
	DAA320R41			279 (10.98)		
	DAA320R51			435 (17.13)	700 (1543)	
	DAA320R61		EN81 & A17.1/B44	80 (3.15)	600 (1323)	

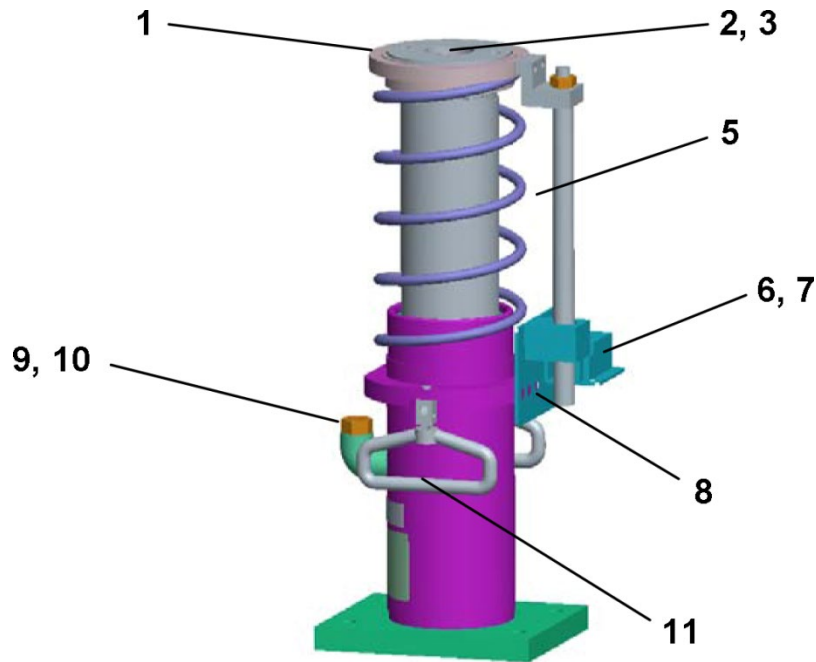
(Continued on next page)



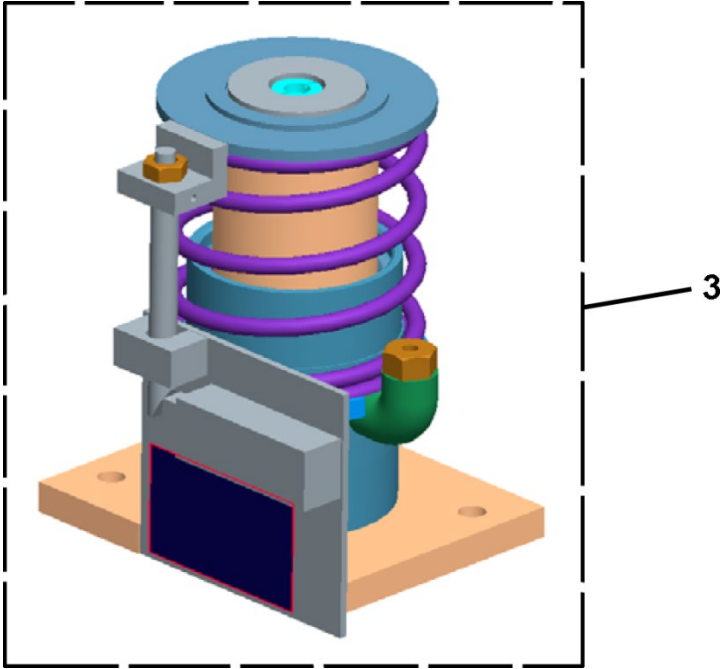
DAA320R						
REF. No.	PART No.	DESCRIPTION	CODE (CERTIFICATE)	BUFFER STROKE mm (in.)	RATED STRIKING LOAD kg (lb)	
					MIN	MAX
2	DAA320R22	Buffer Assembly, with GBA177HK2 Switch, without Oil	EN81 & A17.1/B44	173 (6.81)	600 (1323)	4545 (10020)
	DAA320R32			219 (8.62)		
	DAA320R42			279 (10.98)		
	DAA320R52			435 (17.13)	700 (1543)	
	DAA320R62			80 (3.15)	3500 (7716)	
	DAA320R23	Buffer Assembly, without Switch, with Oil Pre-fill	A17.1/B44	173 (6.81)	600 (1323)	4545 (10020)
	DAA320R33			219 (8.62)		
	DAA320R43			279 (10.98)		
	DAA320R53			435 (17.13)	700 (1543)	
	DAA320R63			80 (3.15)	3500 (7716)	
	DAA320R24	Buffer Assembly, without Switch, without Oil	A17.1/B44	173 (6.81)	600 (1323)	4545 (10020)
	DAA320R34			219 (8.62)		
	DAA320R44			279 (10.98)		
	DAA320R54			435 (17.13)	700 (1543)	
	DAA320R64			80 (3.15)	600 (1323)	

(Continued on next page)

Buffer Assembly Components



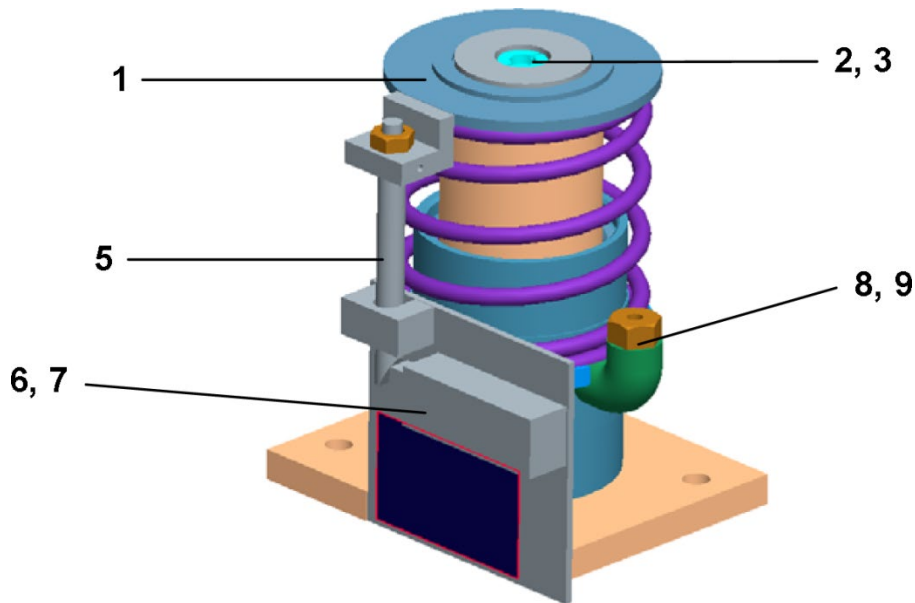
DAA320R			
REF. No.	PART No.	DESCRIPTION	BUFFER STROKE mm (in.)
1	DAA320R501	Rubber Plate	---
2	DAA320R504	Sealing Screw	
3	DAA320R506	"O" Ring 31.3 x 2.65	
4	VP-418950	Oil, Otis Spec # 44, 5-Gallon Container	
5	DAA320R508	Switch Rod Assembly	173 (6.81)
	DAA320R509		219 (8.62)
	DAA320R510		279 (10.98)
	DAA320R511		435 (17.13)
	DAA320R512		80 (3.15)
6	DAA320R517	Switch, LX26-UKT (for GB use)	---
	DAA320R520	Switch, GBA177HK2 (for EN81 & A17.1/B44&ECK use)	
7	FAA174CZ1	Switch Cable (for GB use)	
		Switch Cable (for EN81 use)	
8	DAA320R521	Switch Mounting Bracket (for GB use)	
	DAA320R524	Switch Mounting Bracket (for EN81 & A17.1/B44&ECK use)	
9	DAA320R528	Elbow Threaded Cap	
10	DAA320R530	"O" Ring 15x2.65	
11	DAA320R531	Lifting Handle	



		DAA320R				
REF. No.	PART No.	DESCRIPTION	CODE (CERTIFICATE)	BUFFER STROKE mm (in.)	RATED STRIKING LOAD kg (lb)	
					MIN	MAX
3	DAA320R1	Buffer Assembly, with LX26-UKT Switch, with Oil in Container	GB7588	70 (2.76)	600 (1323)	2500 (5512)
	DAA320R11	Buffer Assembly, with GBA177HK1 Switch, with Oil Pre-fill	EN81 & A17.1/B44 & BSLJ			
	DAA320R12	Buffer Assembly, with GBA177HK1 Switch, without Oil	EN81 & A17.1/B44 & BSLJ			
	DAA320R13	Buffer Assembly, without Switch, with Oil Pre-fill	A17.1/B44 & BSLJ			
	DAA320R14	Buffer Assembly, without Switch, without Oil	A17.1/B44 & BSLJ			
	DAA320R15	Buffer Assembly with LX26-UKT Switch, with Oil Pre-fill	GB7588			

(Continued on next page)

**Dongfang YH31
Buffer Assembly Components**



DAA320R			
REF. No.	PART No.	DESCRIPTION	BUFFER STROKE mm (in.)
1	DAA320R500	Rubber Plate	---
2	DAA320R503	Sealing Screw	
3	DAA320R505	"O" Ring 18 x 2.65	
4	VP-418940	Oil, Otis Spec # 44, 5-Gallon Container	
5	DAA320R507	Switch Rod	70 (2.76)
6	DAA320R517	Switch, LX26-UKT (for GB use)	---
	DAA320R519	Switch, GBA177HK1 (for EN81 & A17.1/B44 & BSLJ use)	
7	FAA174CZ1	Switch Cable (for GB use)	
		Switch Cable (for EN81 & A17.1/B44 & BSLJ use)	
8	DAA320R527	Elbow Threaded Cap	
9	DAA320R530	"O" Ring 15 x 2.65	