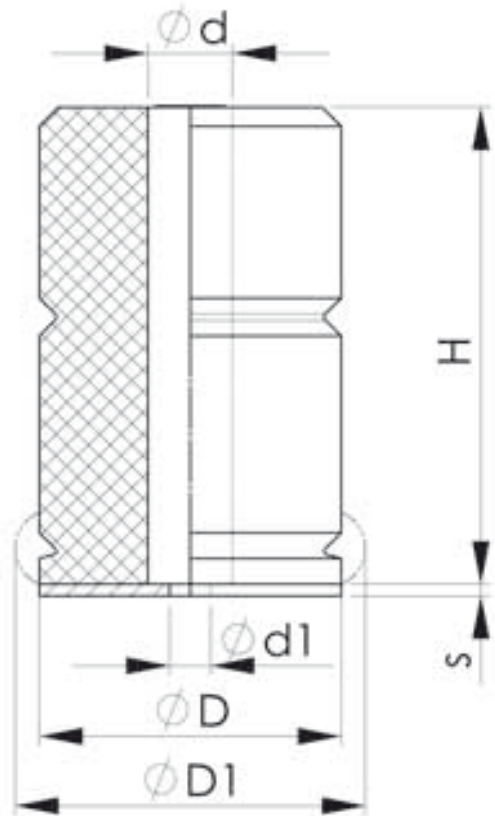


Parts Leaflet

BUFFER for **GEN2™** ASME A17.1:2016

03 | **F..320FC**



AMC-X-Traceability
Component shall include unique serial number information to support traceability requirement

AMC-X-Certificate of conformance
Buffer height and buffer weight
5% of buffers to be verified in supplier's final inspection

AMC-X-Certificate of conformance
Component shall be conform with EN81-20:2014, §5.8.2.1.2
One buffer of each type to be drop tested once per quarter in supplier's test rig



E3 LIST SAFETY COMPONENT / CE components
(L.D. 2014/33/EU:2014-Annexe IV)
DAD SAFETY COMPONENT

Warning!
No change of any kind without prior approval by Notified Body

OTIS

03 - F..320FC

History

Leaflet Description

This leaflet provides spare parts information for type F..320FB Buffer for **GEN2™** Model

Leaflet Revisions

Date Revised	Subject Matter Expert	Reason for Revision

Related Drawings

Drawing No.	Title	Drawing No.	Title

Related Documents

Document ID	Title

Subject Matter Expert

Name	Department

About Spare Parts Leaflets...

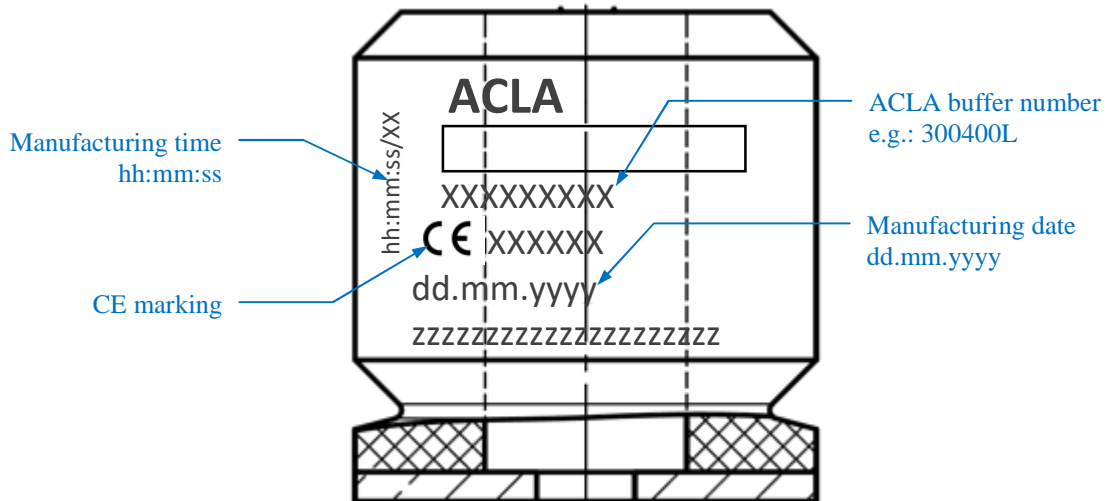
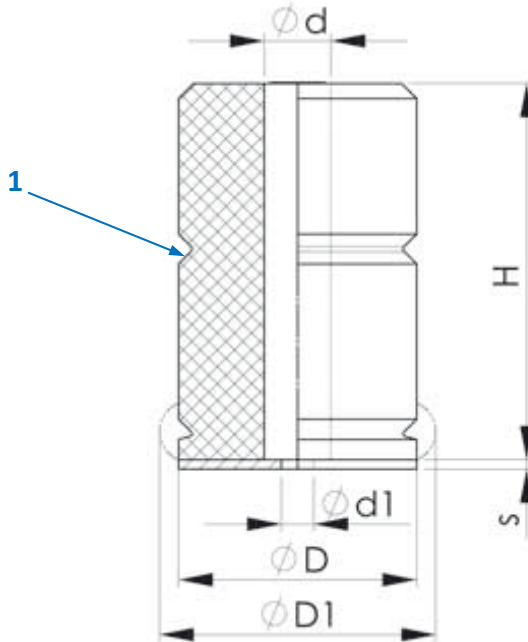
This document lists the lowest replaceable units (LRUs) for the standard version of the product. The LRUs are chosen by a team of Otis associates representing engineering and manufacturing.

While goal of this document is to make parts identification as easy as possible, the document cannot be all-inclusive. Elevator and escalator contracts classified as “special” or “custom” are not addressed here. For such contracts, please refer to specified information, the contract folder, TIPs, Field Education Articles, Construction Letters, etc. for further information.

If you have any suggestions about this document, please contact the subject matter expert listed on this page.

BUFFER for GEN2™
ASME A17.1:2016

03-F..320FC



FAA320FC						
REF. NO.	PART or ML	IDENTIFICATION	D	H	Load Range	
					125fpm	200fpm
1	FAA320FC2	(ACLA) 300401F1	100	80	237 / 4008kg	400 / 1550kg
	FAA320FC6	(ACLA) 300419F1	140	80	499 / 5303kg	700 / 3200kg