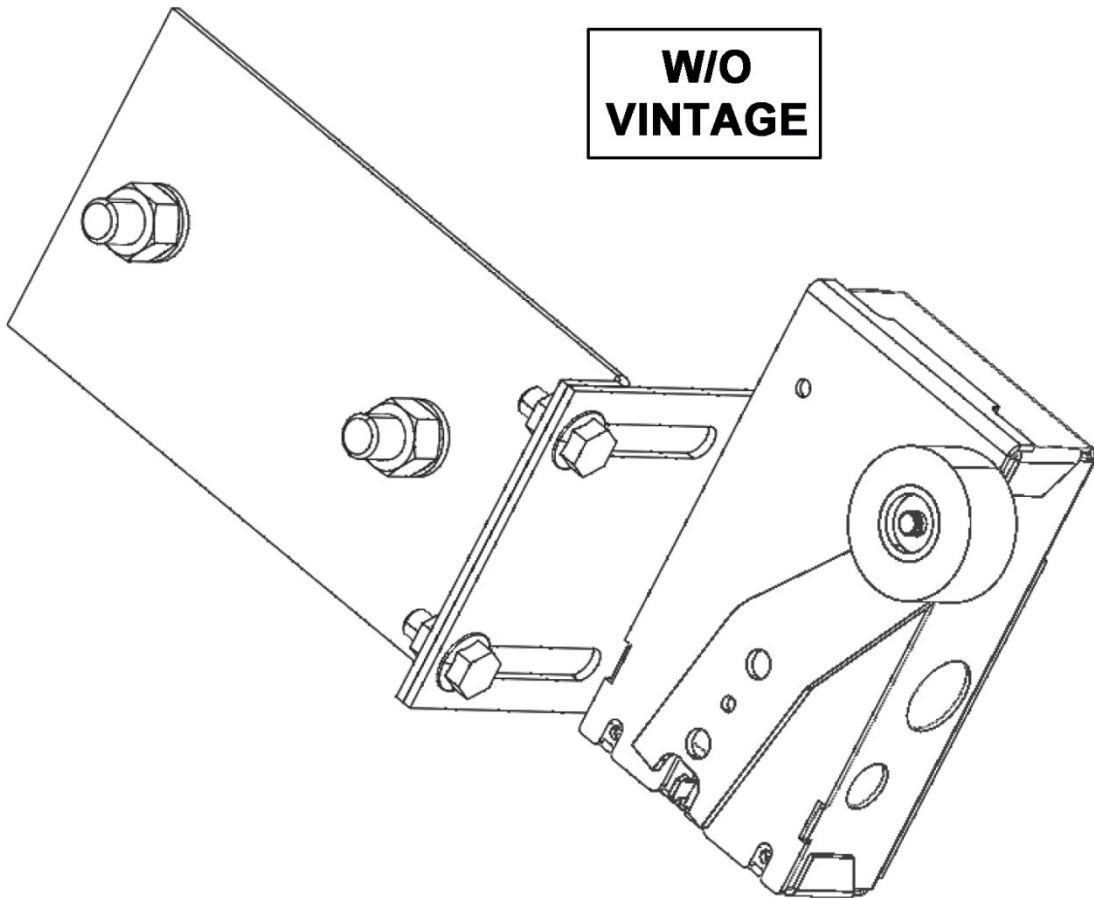


**Limit Switch Assembly
GeN2 Underslung**

Spare Parts Leaflet

05-AAA22289F

March 5, 2014 / Page 1 of 3



OTIS

This document does not contain any
technical data subject to EAR or ITAR

**SERVICE ENGINEERING
Otis Elevator Company
Bloomfield, Connecticut USA**

Unpublished Work—© Otis Elevator Co.; 2014

Leaflet Description

This leaflet provides information for replacement components for the limit switch assemblies for the GeN2 Underslung product.

Leaflet Revisions

Date Revised	Subject Matter Expert	Reason for Revision
March 5, 2014	Gary Mendrala	New SPL

Related Drawings

Drawing No.	Title	Drawing No.	Title
AAA22289F	Limit Switches GeN2 Underslung	AAA6098NM	Switch

Related Documents

Document ID	Title
SPL 05-AAA6098PF	Final Limit Switches GeN2 Underslung
SPL 05-AAA6098NY	Limit Switch Assembly GeN2 R2
SPL 05-AAA25590AJ	Limit Switch Assembly HydroFit

Subject Matter Expert

Name	Department
Gary Mendrala	OSC Service Engineering

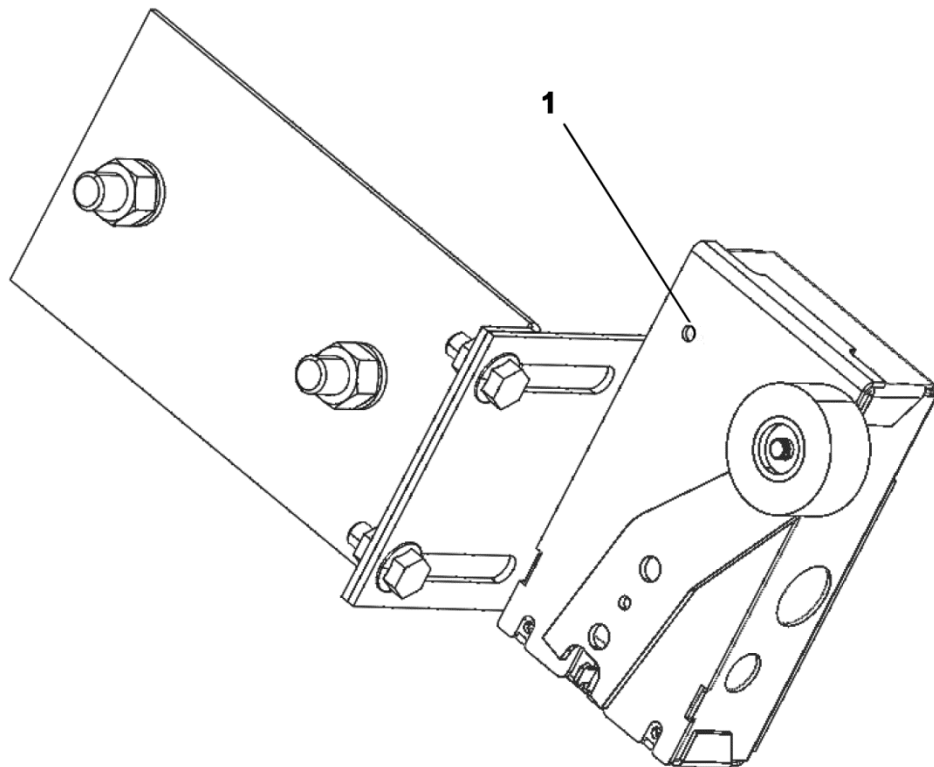
About Spare Parts Leaflets...

This document lists the lowest replaceable units (LRUs) for the standard version of the product. The LRUs are chosen by a team of Otis associates representing engineering and manufacturing.

While goal of this document is to make parts identification as easy as possible, the document cannot be all-inclusive. Elevator and escalator contracts classified as "special" or "custom" are not addressed here. For such contracts, please refer to specified information, the contract folder, TIPs, Field Education Articles, Construction Letters, etc. for further information.

If you have any suggestions about this document, please contact the subject matter expert listed on this page.

Underslung



W/O VINTAGE		
REF. No.	PART No.	DESCRIPTION
1	AAA6098NM1	Switch, Limit