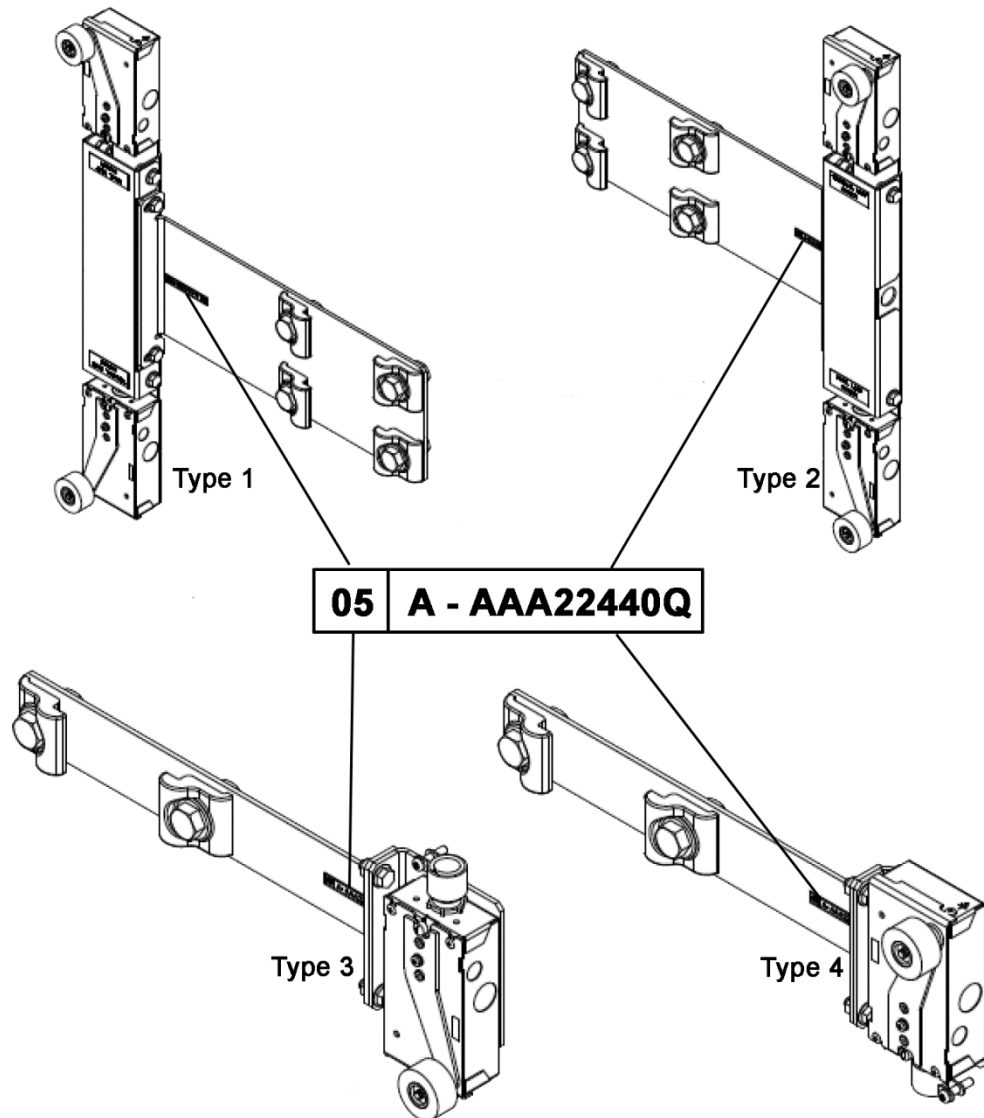


**Final/Terminal Limit  
Switch Arrangements  
for Gen2® Underslung**

**Spare Parts Leaflet**

**05-AAA22440Q**

April 20, 2016 / Page 1 of 4



This document does not contain any technical data subject to EAR or ITAR

**SERVICE ENGINEERING**  
**Otis Elevator Company**  
**Bloomfield, Connecticut USA**

Unpublished Work—© Otis Elevator Co.; 2016

**Leaflet Description**

This leaflet provides spare parts information for hoistway final and terminal limit switches for Gen2® Underslung model elevator. These assemblies are mounted in the hoistway and limit the travel of the car at the top and bottom locations of the hoistway. These assemblies replace the previously used type AAA6098PF and type AAA22289F switches.

**Leaflet Revisions**

<b>Date Revised</b>	<b>Subject Matter Expert</b>	<b>Reason for Revision</b>
April 20, 2016	Andrew Vallowe and Gary Mendrala	New SPL

**Related Drawings**

<b>Drawing No.</b>	<b>Title</b>	<b>Drawing No.</b>	<b>Title</b>
AAA22440Q	Assembly, Limit Switches (G2S)	AAA6098NM	Limit Switch

**Related Documents**

<b>Document ID</b>	<b>Title</b>
SPL 05-AAA6098PF	<i>Final Limit Switches Gen2® Underslung</i>
SPL 05-AAA22289F	<i>Limit Switch Assembly GeN2 Underslung</i>

**Subject Matter Expert**

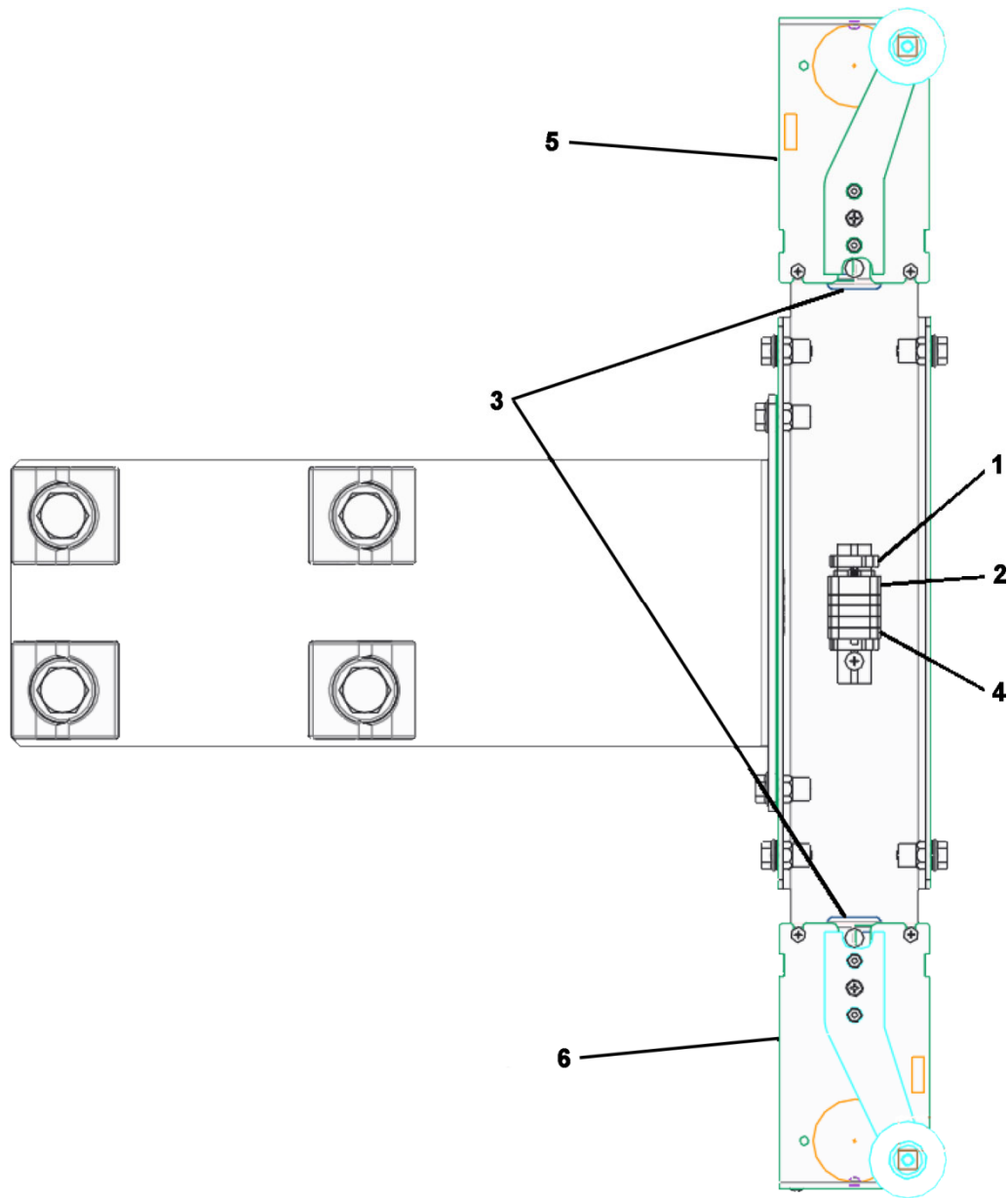
<b>Name</b>	<b>Department</b>
Gary Mendrala	OSC Service Engineering

**About Spare Parts Leaflets...**

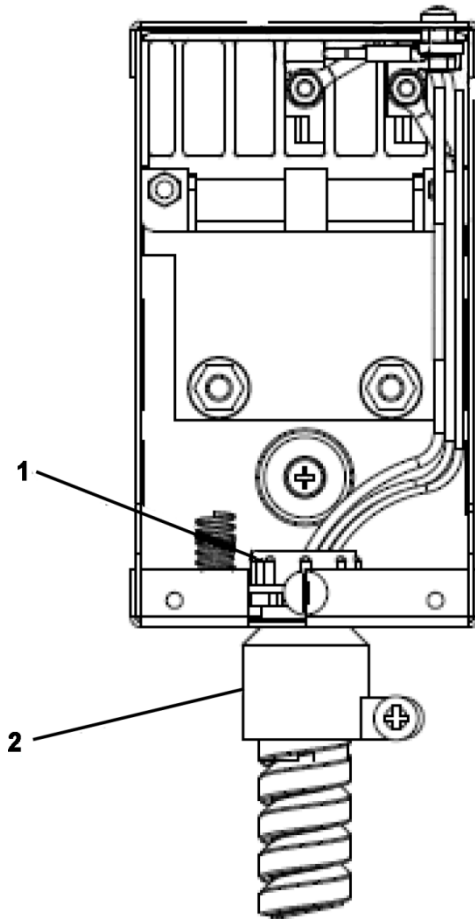
This document lists the lowest replaceable units (LRUs) for the standard version of the product. The LRUs are chosen by a team of Otis associates representing engineering and manufacturing.

While goal of this document is to make parts identification as easy as possible, the document cannot be all-inclusive. Elevator and escalator contracts classified as “special” or “custom” are not addressed here. For such contracts, please refer to specified information, the contract folder, TIPs, Field Education Articles, Construction Letters, etc. for further information.

If you have any suggestions about this document, please contact the subject matter expert listed on this page.



AAA22440Q		
REF. No.	PART No.	DESCRIPTION
1	AAA303EP10	Block, Terminal
2	AAA303EP134	Block, Terminal
3	334H1	Grommet
4	AAA303EP32	Stop, End
5	AAA6098NM1	Switch, Limit, Right Hand
6	AAA6098NM2	Switch, Limit, Left Hand



Cover and switch arm not shown.

<b>AAA22440Q</b>		
<b>REF. No.</b>	<b>PART No.</b>	<b>DESCRIPTION</b>
1	AAA321HT1	Bushing, Conduit Insulating
2	AAA440BH2	Fitting, Conduit