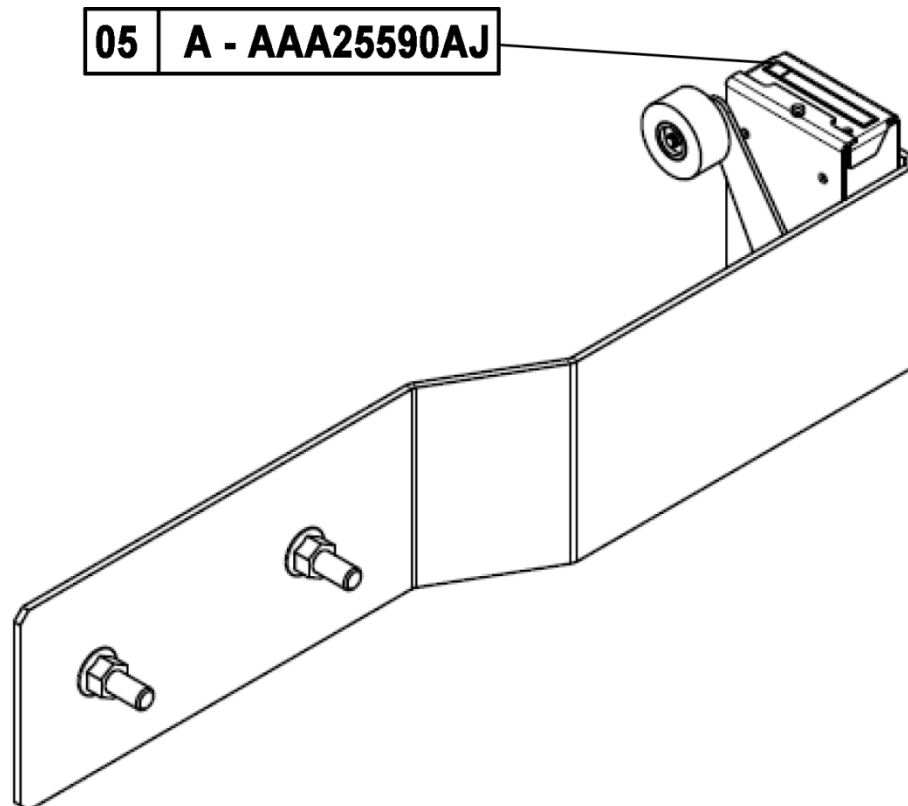


**Limit Switch Assembly
(HydroFit™)**

Spare Parts Leaflet

05-AAA25590AJ

July 24, 2013 / Page 1 of 3



OTIS

This document does not contain any
technical data subject to EAR or ITAR

SERVICE ENGINEERING
Otis Elevator Company
Bloomfield, Connecticut USA

Unpublished Work—© Otis Elevator Co.; 2013

Leaflet Description

This leaflet provides spare parts information for the limit switch assemblies used with position reference system for HydroFit™.

Leaflet Revisions

Date Revised	Subject Matter Expert	Reason for Revision
July 24, 2013	John Kleine	New SPL

Related Drawings

Drawing No.	Title	Drawing No.	Title
AAA22440K	Position Reference System GCS Hydraulic (Holeless & Telescopic)	AAA6098NM	Limit Switch
---	---	---	---

Related Documents

Document ID	Title
---	---

Subject Matter Expert

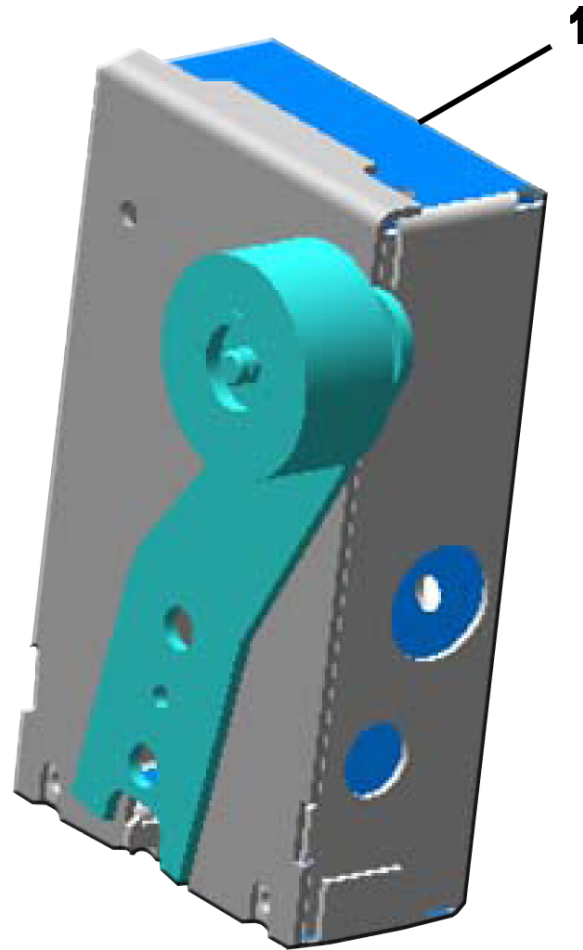
Name	Department
Ali Bozorgzadeh	OSC Electrical Engineering

About Spare Parts Leaflets...

This document lists the lowest replaceable units (LRUs) for the standard version of the product. The LRUs are chosen by a team of Otis associates representing engineering and manufacturing.

While goal of this document is to make parts identification as easy as possible, the document cannot be all-inclusive. Elevator and escalator contracts classified as “special” or “custom” are not addressed here. For such contracts, please refer to specified information, the contract folder, TIPs, Field Education Articles, Construction Letters, etc. for further information.

If you have any suggestions about this document, please contact the subject matter expert listed on this page.



AAA25590AJ		
REF. No.	PART No.	DESCRIPTION
1	AAA6098NM1	Switch, Limit, Right Hand (as shown), LS2
	AAA6098NM2	Switch, Limit, Left Hand (opposite), LS2