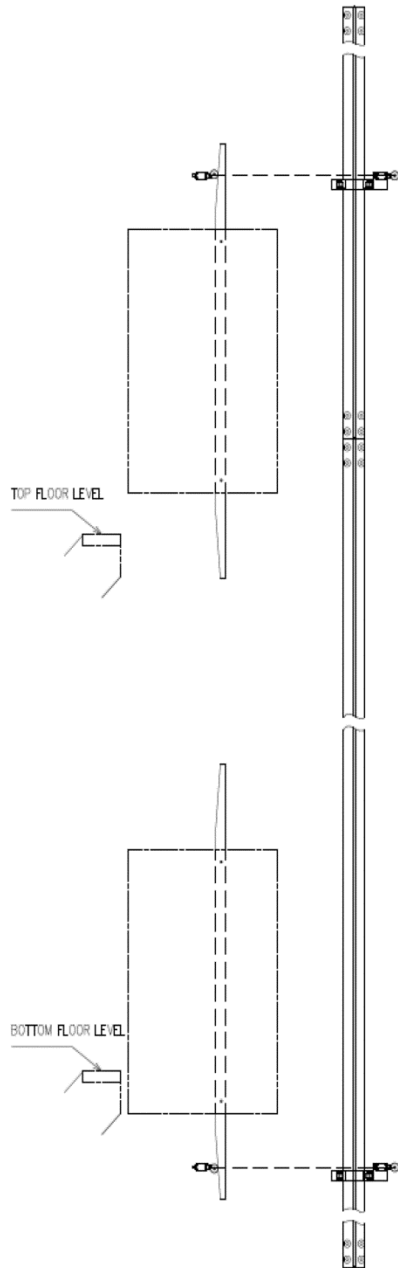


# Limit Switch Assembly Skyrise® / E2

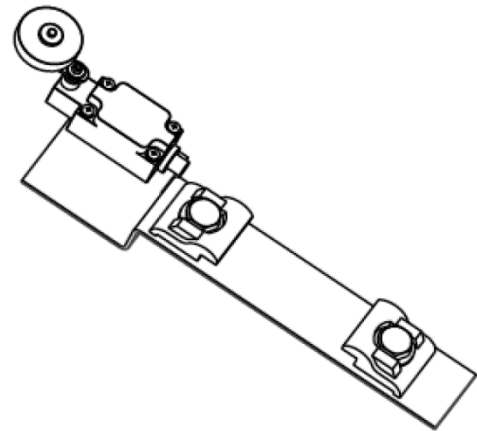
Spare Parts Leaflet

05-AAA25590AK

May 13, 2014 / Page 1 of 3



W/O VINTAGE



# OTIS

**SERVICE ENGINEERING**  
Otis Elevator Company  
HRSIT, Shanghai China

Unpublished Work—© Otis Elevator Co.; 2014

**Leaflet Description**

This leaflet provides spare parts information for Skyrise (GMH) control system limit switch assembly AAA25590AK.

**Leaflet Revisions**

| <b>Date Revised</b> | <b>Subject Matter Expert</b> | <b>Reason for Revision</b> |
|---------------------|------------------------------|----------------------------|
| 09.01.2013          | Jiang Cheng                  | New SPL                    |
|                     |                              |                            |

**Related Drawings**

| <b>Drawing No.</b> | <b>Title</b>          | <b>Drawing No.</b> | <b>Title</b>                  |
|--------------------|-----------------------|--------------------|-------------------------------|
| AAA25590AK         | Limit Switch Assembly | AAA174AWJ          | Cable for Top Limit Switch    |
| GBA21310GC         | E2 Controller W/D     | AAA174AWL          | Cable for Bottom Limit Switch |

**Related Documents**

| <b>Document ID</b>     | <b>Title</b>                       |
|------------------------|------------------------------------|
| AAA29100A_FIM-ANSI/JIS | FMI 15. Install Hoistway Equipment |
|                        |                                    |

**Subject Matter Expert**

| <b>Name</b>                     | <b>Department</b>       |
|---------------------------------|-------------------------|
| Gary Mendrala / Ali Bozordzadeh | OSC Service Engineering |

**About Spare Parts Leaflets...**

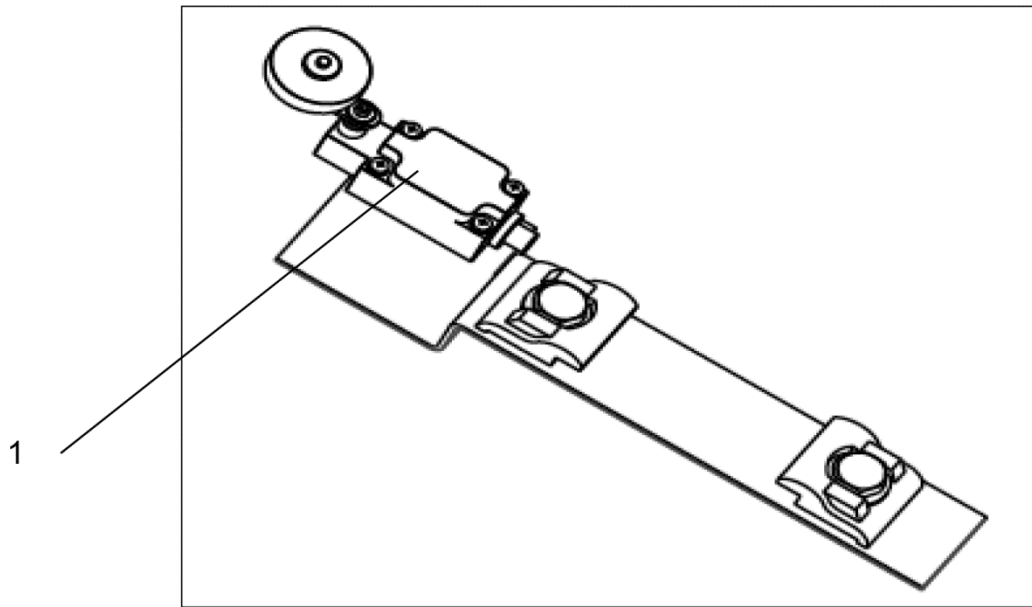
This document lists the lowest replaceable units (LRUs) for the standard version of the product. The LRUs are chosen by a team of Otis associates representing engineering and manufacturing.

While goal of this document is to make parts identification as easy as possible, the document cannot be all-inclusive. Elevator and escalator contracts classified as “special” or “custom” are not addressed here. For such contracts, please refer to specified information, the contract folder, TIPS, Field Education Articles, Construction Letters, etc. for further information.

If you have any suggestions about this document, please contact the subject matter expert listed on this page.

# Limit Switch Assembly

**05-AAA25590AK**



|                 | <b>VINTAGE</b>  |  |
|-----------------|-----------------|--|
| <b>REF. No.</b> | <b>PART No.</b> | <b>DESCRIPTION</b>                                       |
| 1               | AAA22800T1      | Switch 2A 230 VAC, 50-60 Hz (Ref. BLS/TLS on GBA21310GC) |