

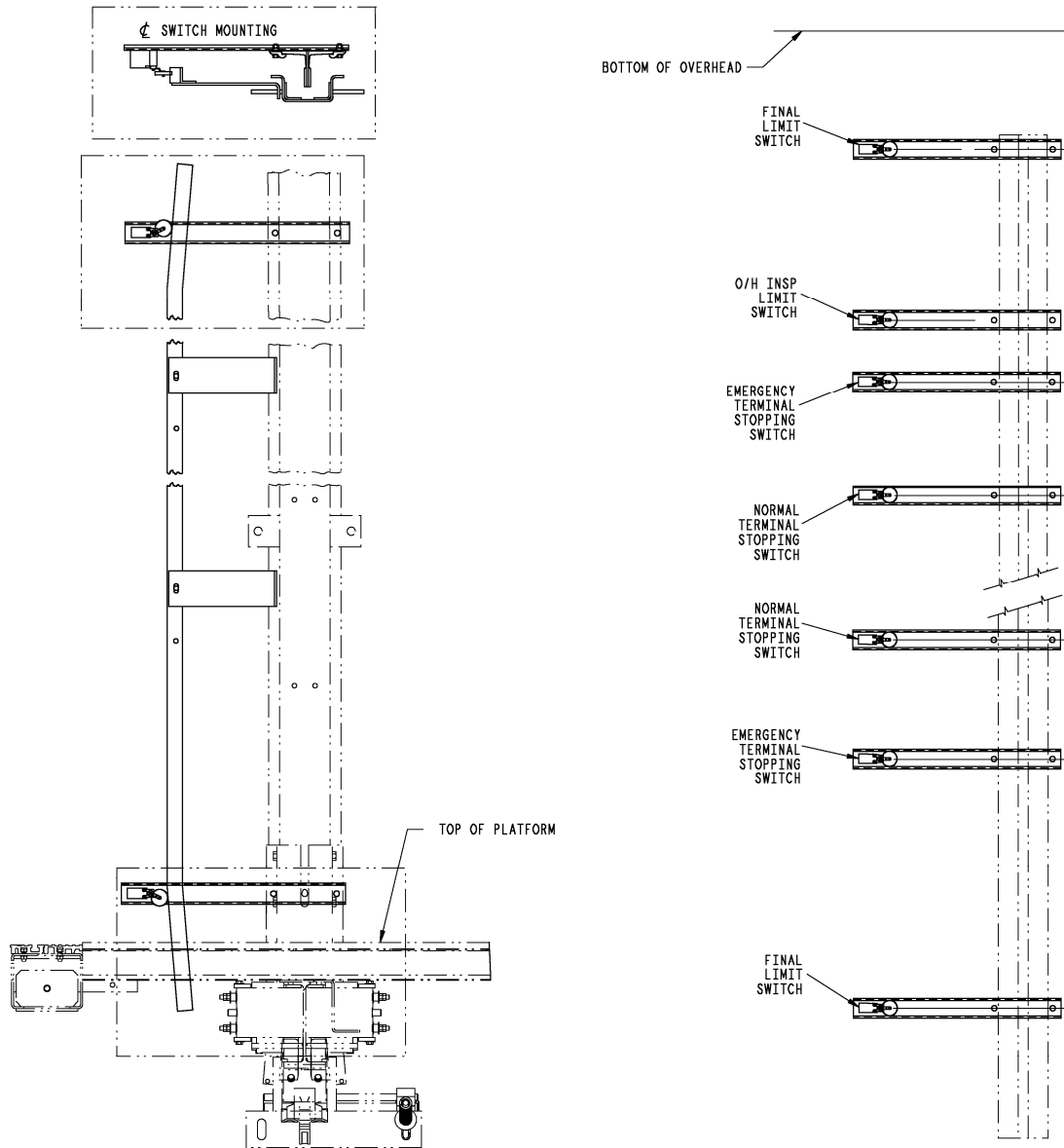
Limit Switch MVS, HVS, GEM, E311DC

Spare Parts Leaflet

05-AAA6098NK

May 13, 2020 / Page 1 of 4

W/O VINTAGE



OTIS

This document does not contain any technical data subject to EAR or ITAR

SERVICE ENGINEERING
Otis Elevator Company
Bloomfield, Connecticut USA

Unpublished Work—© Otis Elevator Co.; 2020

Leaflet Description

This leaflet provides spare parts information for AAA6098NK and AAB6098NK limit switch assemblies used in the MVS, HVS, GEM, E311DC machines.

Leaflet Revisions

Date Revised	Subject Matter Expert	Reason for Revision
March 25, 2009	Gary Mendrala	New SPL
May 13, 2020	Gary Mendrala	Corrected part number in Ref. 2 on p. 4

Related Drawings

Drawing No.	Title	Drawing No.	Title
AAA6098NK	Assembly and Arrangement, Mounting, Limit Switches (and Cam)	AAA22800T	Switch
AAB6098NK	Assembly and Arrangement, Mounting, Limit Switches (and Cam)	AAA6098NM	Assembly, Limit Switch

Related Documents

Document ID	Title
SPL 05-6098	Type 6098 Mechanical Switches

Subject Matter Expert

Name	Department
Gary Mendrala	OSC Service Engineering

About Spare Parts Leaflets...

This document lists the lowest replaceable units (LRUs) for the standard version of the product. The LRUs are chosen by a team of Otis associates representing engineering and manufacturing.

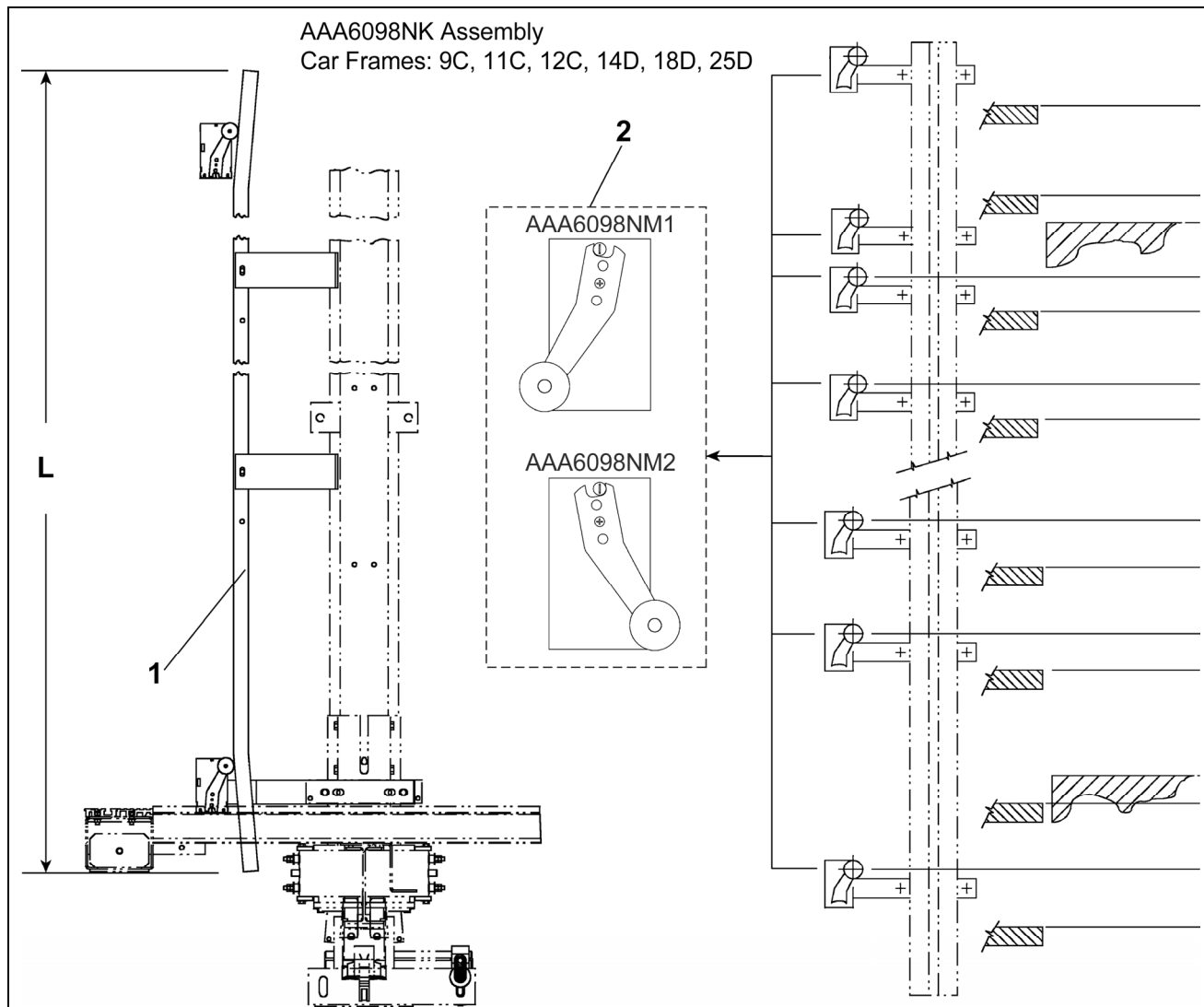
While goal of this document is to make parts identification as easy as possible, the document cannot be all-inclusive. Elevator and escalator contracts classified as "special" or "custom" are not addressed here. For such contracts, please refer to specified information, the contract folder, TIPS, Field Education Articles, Construction Letters, etc. for further information.

If you have any suggestions about this document, please contact the subject matter expert listed on this page.

Cam & Limit Switch Assembly

05-AAA6098NK

AAA6098NK

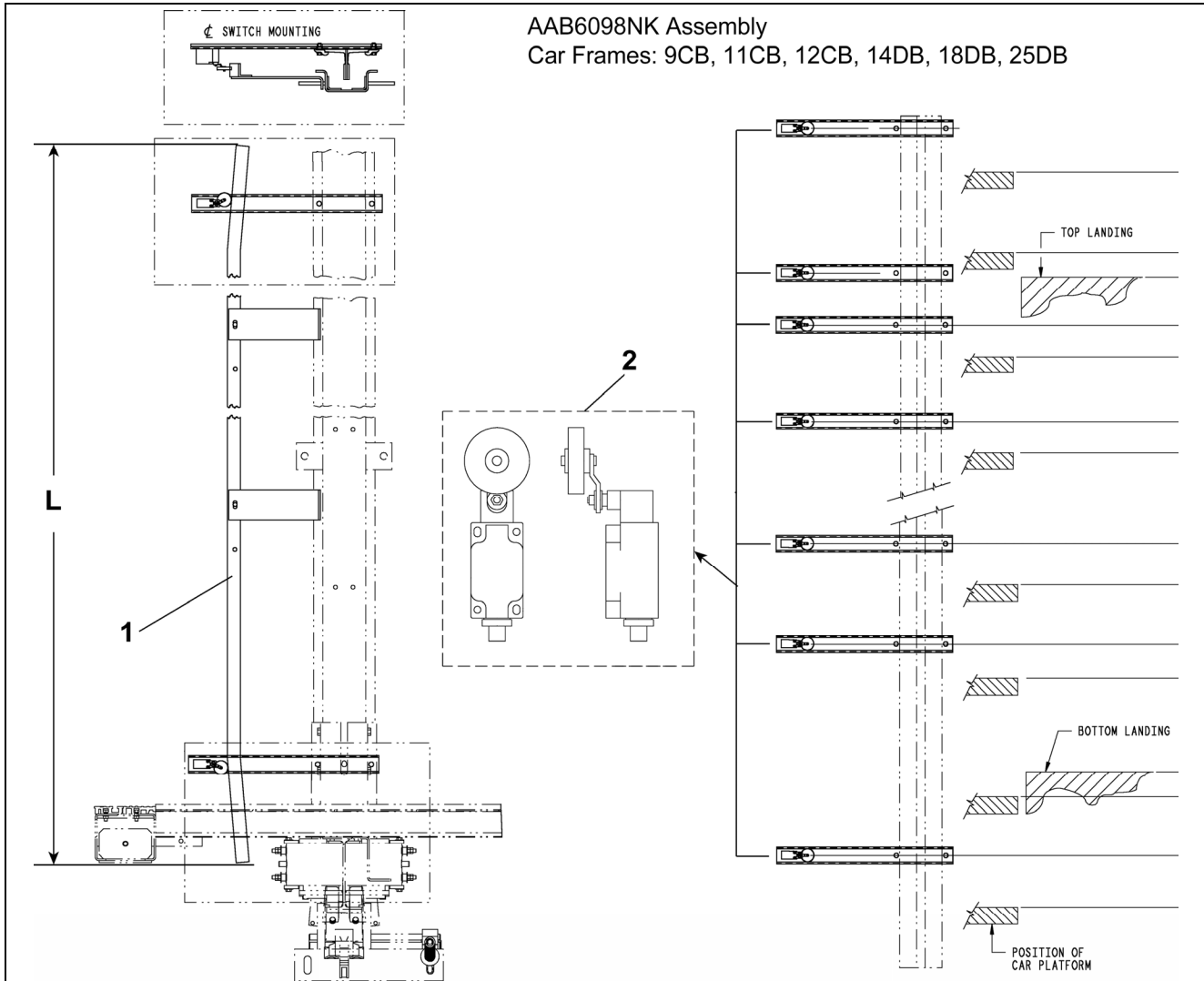


W/O VINTAGE		
REF. No.	PART No.	DESCRIPTION
1	6205G7	Assembly, Cam, Car Frame 9C, 11C, Upright, L = 132 in.
	6205G8	Assembly, Cam, Car Frame 9C, 11C, Structural Upright, L = 132 in.
	6205G11	Assembly, Cam, Car Frame 12C, 14D, 18D, 25D, 1 and 1-1/2 Rail, L = 147.6 in.
	6205G12	Assembly, Cam, Car Frame 12C, 14D, 18D, 25D, 3/4 Rail, L = 147.6 in.
	6205G13	Assembly, Cam, Car Frame 12C, 14D, 18D, 25D, OA Rail, L = 147.6 in.
2	AAA6098NM1	Assembly, Limit Switch, Single-Pole Breaking, See SPL 05-6098
	AAA6098NM2	

05-AAA6098NK

Cam & Limit Switch Assembly

AAB6098NK



W/O VINTAGE		
REF. No.	PART No.	DESCRIPTION
1	6205G7	Assembly, Cam, Car Frame 9CB, 11CB, Upright, L = 132 in.
	6205G11	Assembly, Cam, Car Frame 12CB, 14DB, 18DB, 25DB, 1 and 1-1/2 Rail, L = 147.6 in.
	6205G12	Assembly, Cam, Car Frame 12CB, 14DB, 18DB, 25DB, 1/2 and 3/4 Rail, L = 147.6 in.
	6205G13	Assembly, Cam, Car Frame 12CB, 14DB, 18DB, 25DB, OA Rail, L = 147.6 in.
2	AAA22800T1	Assembly, Limit Switch