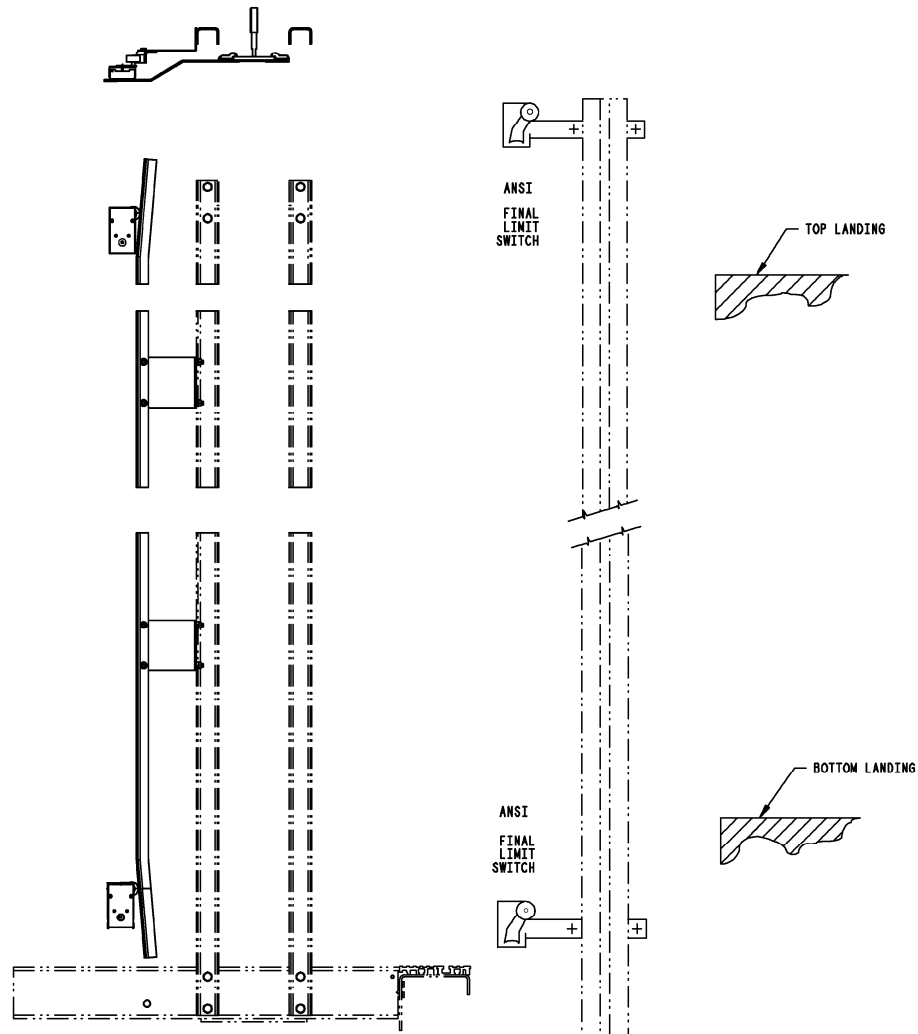


Limit Switch (GeN2 R2)

Spare Parts Leaflet

05-AAA6098NY

September 18, 2003 / Page 1 of 3



OTIS

This document does not contain any technical data subject to EAR or ITAR

SERVICE ENGINEERING
Otis Elevator Company
Bloomfield, Connecticut USA

Unpublished Work—© Otis Elevator Co.; 2003

Leaflet Description

This leaflet provides spare parts information for type AAA6098NY limit switch assembly.

Leaflet Revisions

Date Revised	Subject Matter Expert	Reason for Revision
September 18, 2003	Wendy Smerk	New SPL

Related Drawings

Drawing No.	Title	Drawing No.	Title
AAA6098NY	Limit Switch		

Related Documents

Document ID	Title
---	---

Subject Matter Expert

Name	Department
Wendy Smerk	Bloomington New Equipment Engineering

About Spare Parts Leaflets...

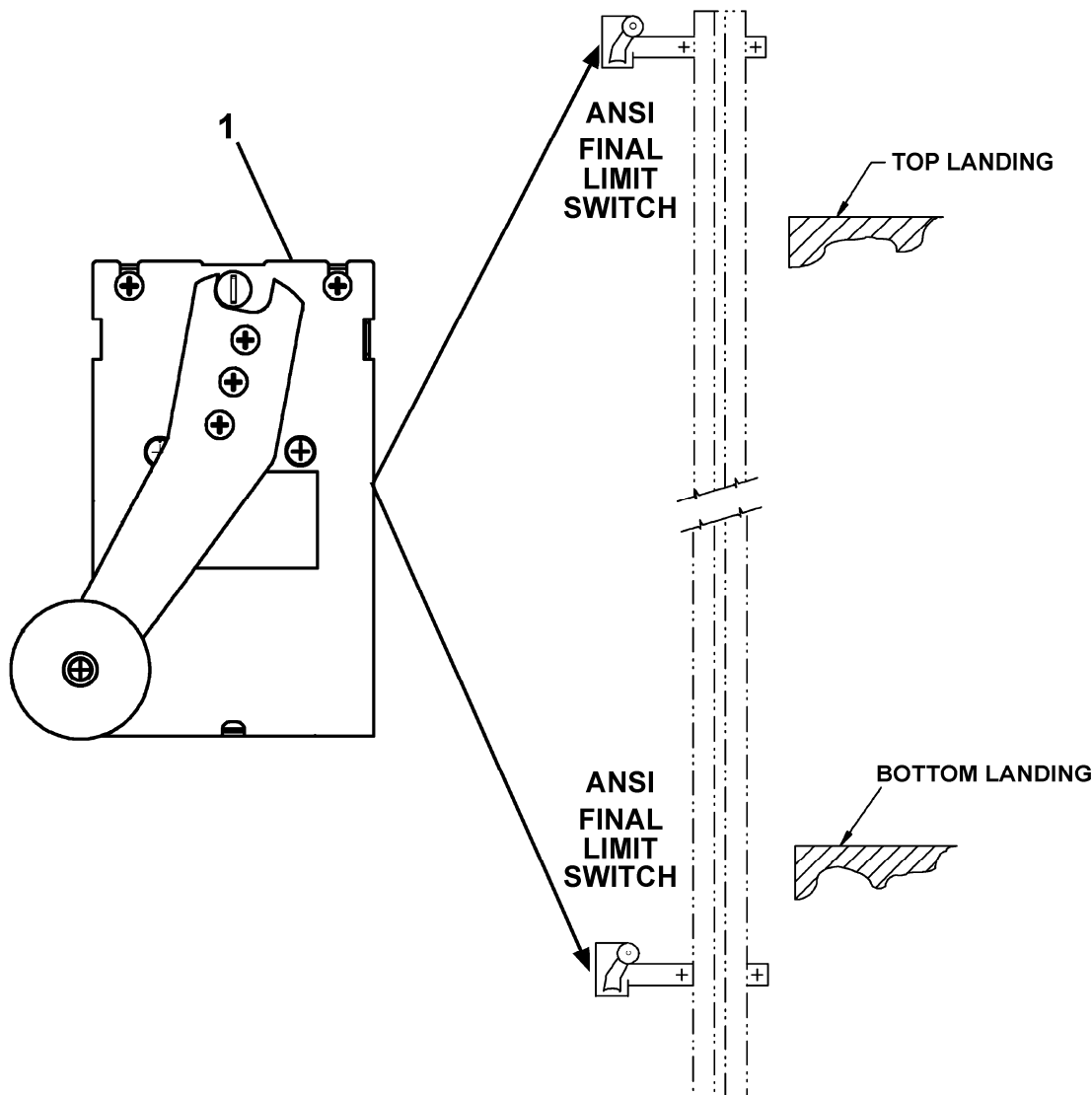
This document lists the lowest replaceable units (LRUs) for the standard version of the product. The LRUs are chosen by a team of Otis associates representing engineering and manufacturing.




While goal of this document is to make parts identification as easy as possible, the document cannot be all-inclusive. Elevator and escalator contracts classified as "special" or "custom" are not addressed here. For such contracts, please refer to specified information, the contract folder, TIPs, Field Education Articles, Construction Letters, etc. for further information.

If you have any suggestions about this document, please contact the subject matter expert listed on this page.

GeN2 R2 Limit Switch Assembly

05-AAA6098NY



W/O VINTAGE			
REF. No.	PART No.	DESCRIPTION	
1	AAA6098NM1	Switch, Limit,  , Single-Pole Breaking (shown)	 SPL 05-6098
	AAA6098NM2	Switch, Limit,  , Single-Pole Breaking (opposite)	