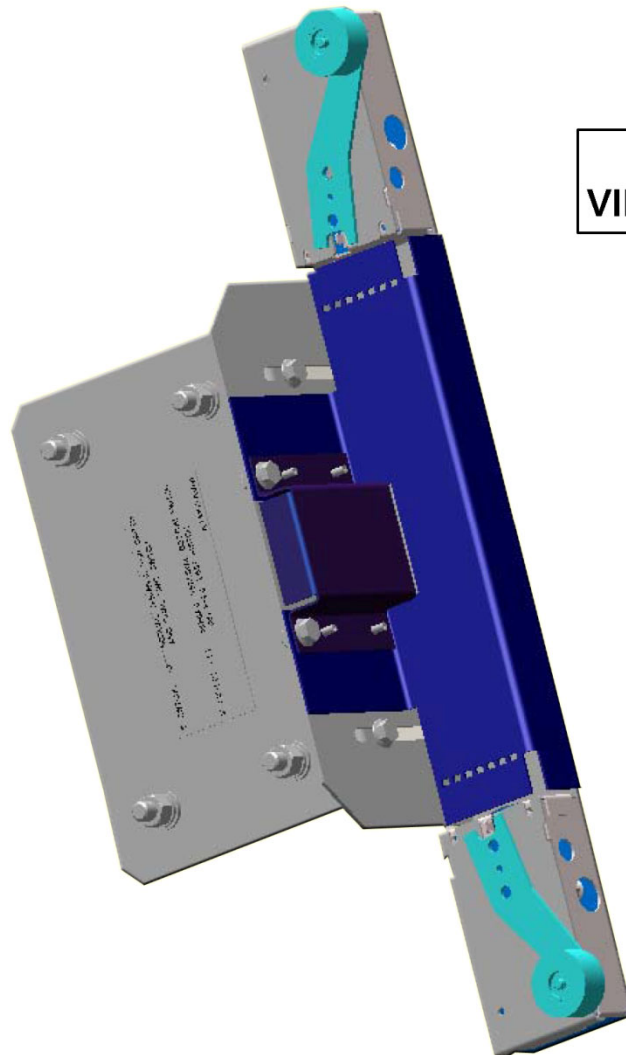


**Final Limit Switch  
Arrangements Gen2®  
Underslung**

**Spare Parts Leaflet**

**05-AAA6098PF**

**July 31, 2013 / Page 1 of 4**



**W/O  
VINTAGE**

**OTIS**

This document does not contain any  
technical data subject to EAR or ITAR

**SERVICE ENGINEERING  
Otis Elevator Company  
Bloomfield, Connecticut USA**

Unpublished Work—© Otis Elevator Co.; 2013

**Leaflet Description**

This leaflet provides information for the LRU items for the hoistway final limit position assemblies for the Gen2® underslung model elevator. These assemblies are mounted in the hoistway and limit the travel of the car at the top and bottom locations of the hoistway.

**Leaflet Revisions**

<b>Date Revised</b>	<b>Subject Matter Expert</b>	<b>Reason for Revision</b>
July 31, 2013	Gary Mendrala	New SPL

**Related Drawings**

<b>Drawing No.</b>	<b>Title</b>	<b>Drawing No.</b>	<b>Title</b>
AAA6098PF	Assembly Final Limit Switches	AAA6098NM	Limit Switch

**Related Documents**

<b>Document ID</b>	<b>Title</b>
---	---

**Subject Matter Expert**

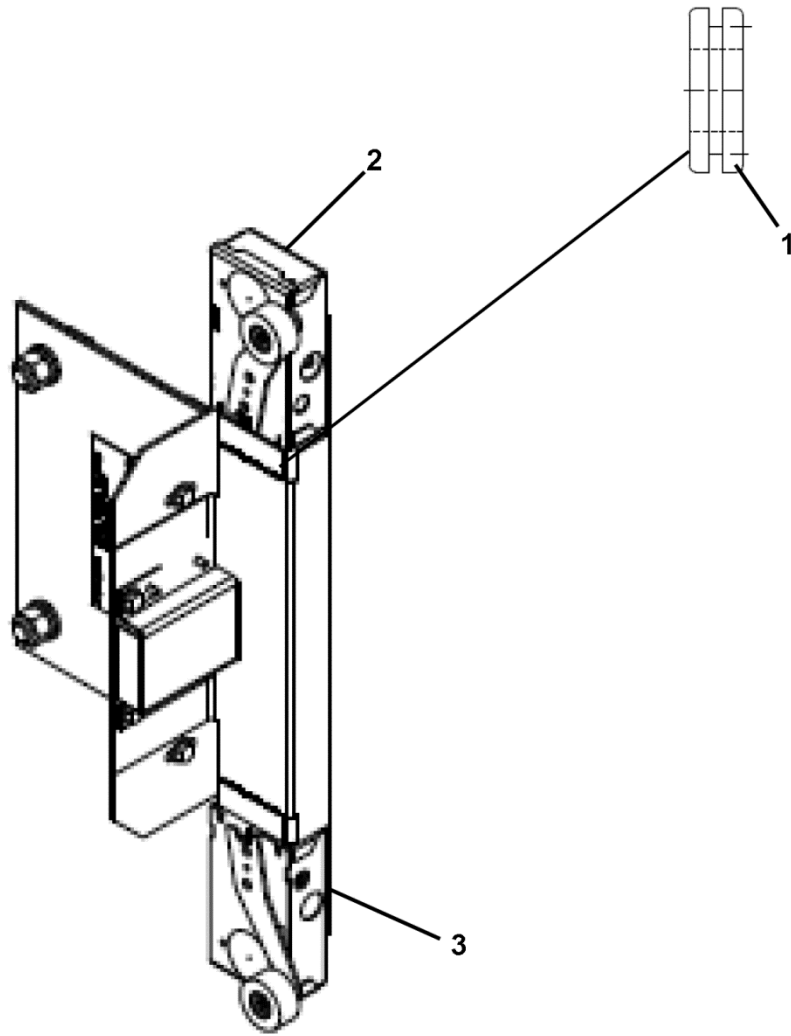
<b>Name</b>	<b>Department</b>
Gary Mendrala	OSC Service Engineering

**About Spare Parts Leaflets...**

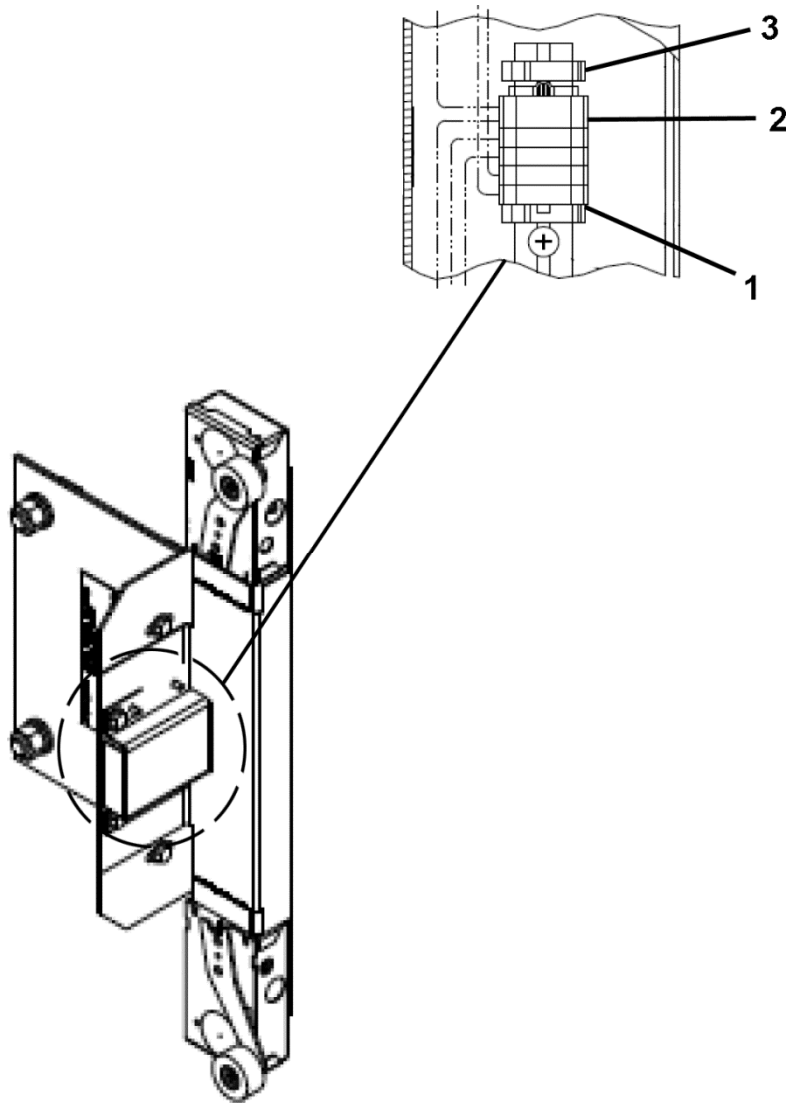
This document lists the lowest replaceable units (LRUs) for the standard version of the product. The LRUs are chosen by a team of Otis associates representing engineering and manufacturing.

While goal of this document is to make parts identification as easy as possible, the document cannot be all-inclusive. Elevator and escalator contracts classified as “special” or “custom” are not addressed here. For such contracts, please refer to specified information, the contract folder, TIPs, Field Education Articles, Construction Letters, etc. for further information.

If you have any suggestions about this document, please contact the subject matter expert listed on this page.



W/O VINTAGE		
REF. No.	PART No.	DESCRIPTION
1	334H1	Grommet
2	AAA6098NM1	Switch, Limit
3	AAA6098NM2	Switch, Limit



W/O VINTAGE		
REF. No.	PART No.	DESCRIPTION
1	AAA303EP10	Block, Terminal
2	AAA303EP134	Block ,Terminal
3	AAA303EP32	Stop, End