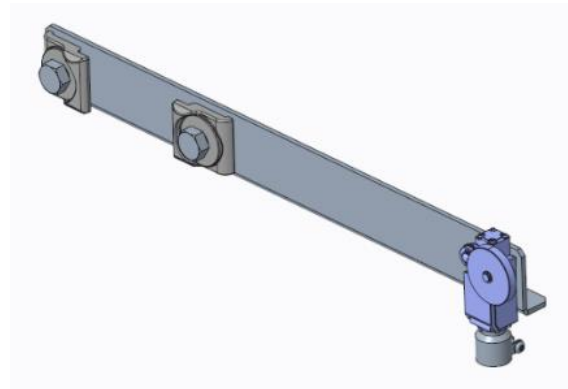


**Limit Switch Assembly  
GeN3**

**Spare Parts Leaflet**

**05-WAA22440C**

**June 8, 2023 / Page 1 of 3**



**OTIS**

This document does not contain any  
technical data subject to EAR or ITAR

**SERVICE ENGINEERING**

**Otis Elevator Company**

**Bloomfield, Connecticut USA**

Unpublished Work—© Otis Elevator Co.; 2023

**Leaflet Description**

This leaflet provides information for replacement components for the limit switch assemblies for the Gen3 product.

**Leaflet Revisions**

<b>Date Revised</b>	<b>Subject Matter Expert</b>	<b>Reason for Revision</b>
June 8, 2023	Emma Gu	New SPL

**Related Drawings**

<b>Drawing No.</b>	<b>Title</b>	<b>Drawing No.</b>	<b>Title</b>
WAA22440C	Limit Switch Assembly in HW	WAA316TX	Bracket
AAA22800T	Limit Switches		

**Related Documents**

<b>Document ID</b>	<b>Title</b>

**Subject Matter Expert**

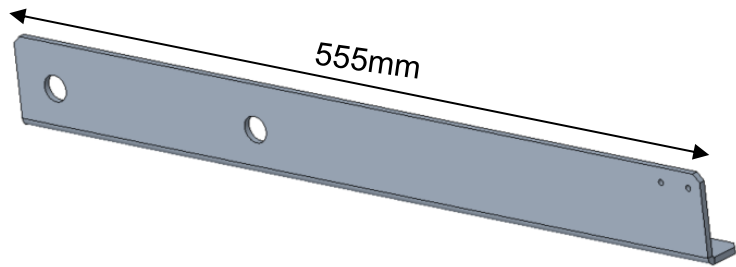
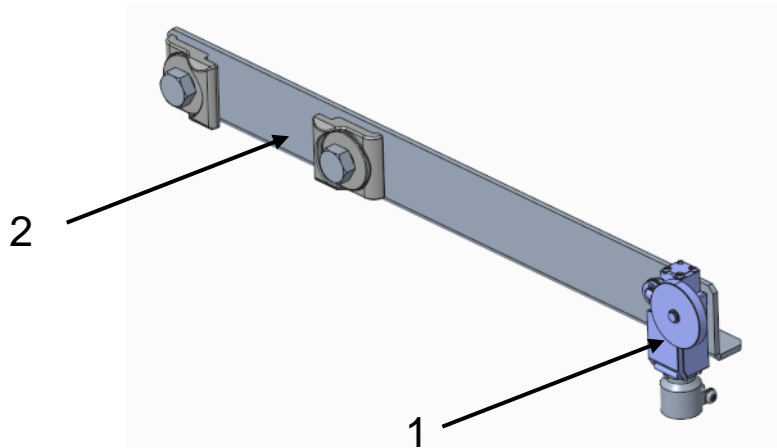
<b>Name</b>	<b>Department</b>
Emma Gu	Shanghai LDC Mechanical Engineering

**About Spare Parts Leaflets...**

This document lists the lowest replaceable units (LRUs) for the standard version of the product. The LRUs are chosen by a team of Otis associates representing engineering and manufacturing.

While goal of this document is to make parts identification as easy as possible, the document cannot be all-inclusive. Elevator and escalator contracts classified as “special” or “custom” are not addressed here. For such contracts, please refer to specified information, the contract folder, TIPS, Field Education Articles, Construction Letters, etc. for further information.

If you have any suggestions about this document, please contact the subject matter expert listed on this page.



<b>WAA22440C</b>		
<b>REF. No.</b>	<b>PART No.</b>	<b>DESCRIPTION</b>
1	AAA22800T9	Switch, Limit
2	WAA316TX5	Bracket, lengths of 555mm (As Shown)
	WAA316TX6	Bracket, lengths of 555mm (Opposite)