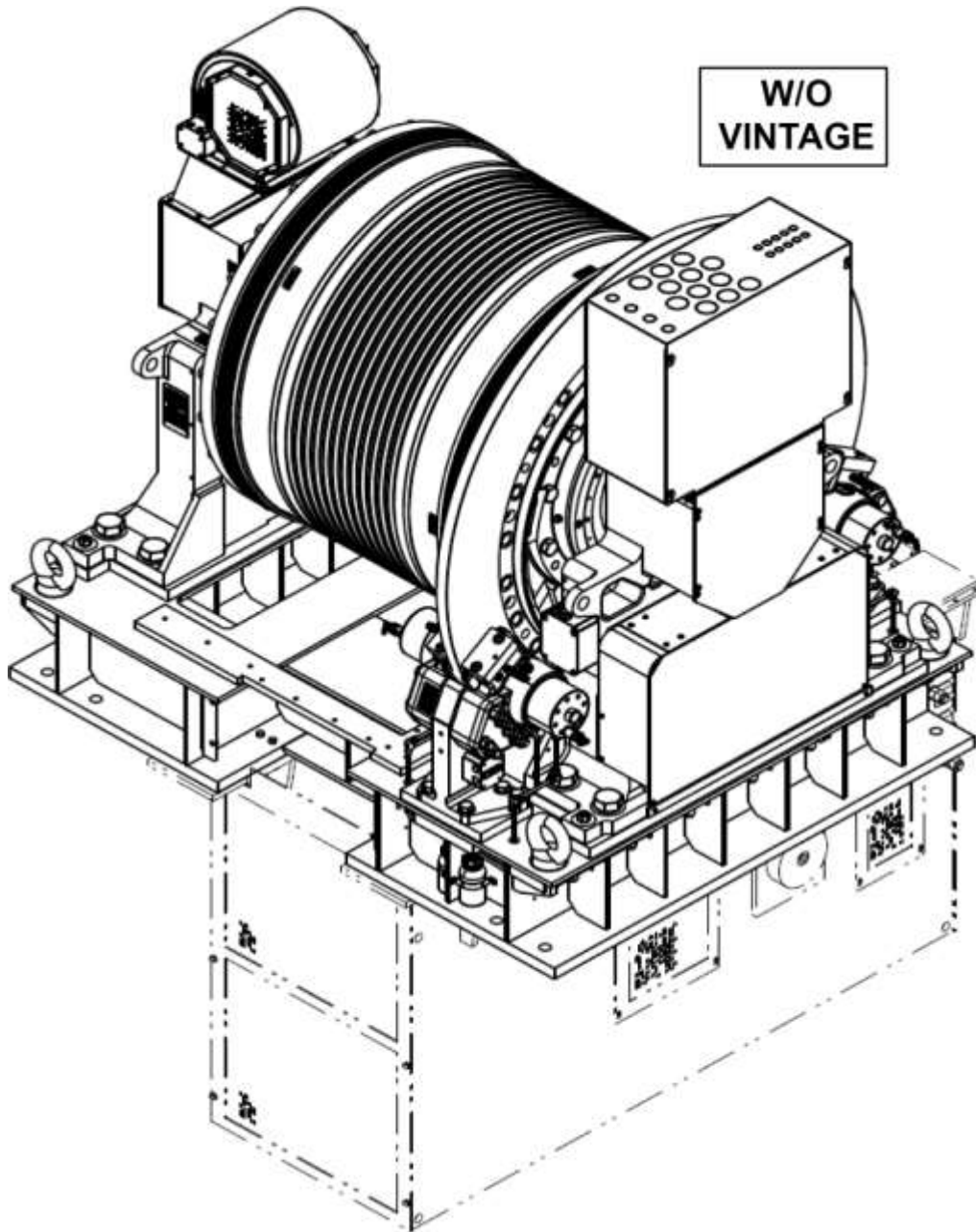


**Elevator Machine
SkyMotion® 800 78T**

Spare Parts Leaflet

06-AAA20220CR

October 6, 2021 / Page 1 of 20



OTIS

This document does not contain any
technical data subject to EAR or ITAR

**SERVICE ENGINEERING
Otis Elevator Company
Bloomfield, Connecticut USA**

Unpublished Work—©Otis Elevator Co.; 2021

Leaflet Description

This leaflet provides spare parts information for the PM gearless machine, type AAA20220CR (also known as SkyMotion 800 or 78T machine). AAA20220CR covers duty loads up to 5400 kg and elevator speeds up to 15.0 m/s.

Leaflet Revisions

Date Revised	Subject Matter Expert	Reason for Revision
November 9, 2015	Camilo Cardona	Original document
April 18, 2018	Cole Murphy	Update made to blower filter part number
September 29, 2021	Cole Murphy and Gary Mendrala	Added and updated part numbers for encoder, brake system, drive sheave, and deflector sheave assemblies. Added guarding assembly.
October 6, 2021	Gary Mendrala	Added NOTES on p. 3

Related Drawings

Drawing No.	Title	Drawing No.	Title
AAA20220CR	Machine Assembly	AAA20700P	Deflector Sheave Assembly
AAA29509G	Blower	AAA20850D	Isolation Pads
AAA633AK	Encoder	AAA384AZW	Rope Lubricator
AAA29509Z	Brake System	AAA21305ED	Terminal Box
AAA29509Y	Guarding		

Related Documents

Document ID	Title
DO-0309DD	Order Data Sheet for SkyMotion 800 Machine
AAA20220CR_BD	Basic Data for SkyMotion 800 Machine

Subject Matter Expert

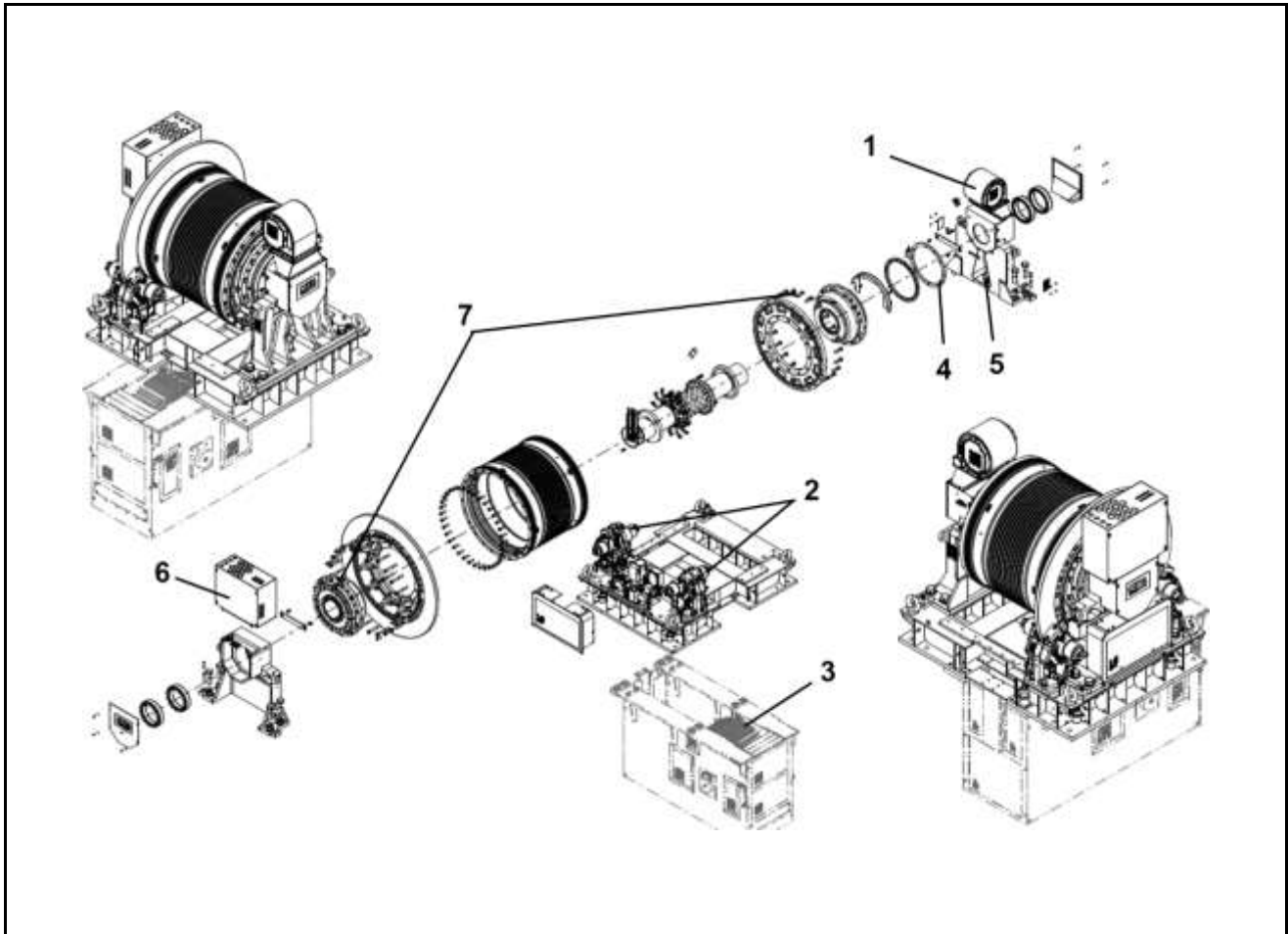
Name	Department
Gary Mendrala	OSC Service Engineering

About Spare Parts Leaflets...

This document lists the lowest replaceable units (LRUs) for the standard version of the product. The LRUs are chosen by a team of Otis associates representing engineering and manufacturing.

While goal of this document is to make parts identification as easy as possible, the document cannot be all-inclusive. Elevator and escalator contracts classified as "special" or "custom" are not addressed here. For such contracts, please refer to specified information, the contract folder, TIPS, Field Education Articles, Construction Letters, etc. for further information.

If you have any suggestions about this document, please contact the subject matter expert listed on this page.

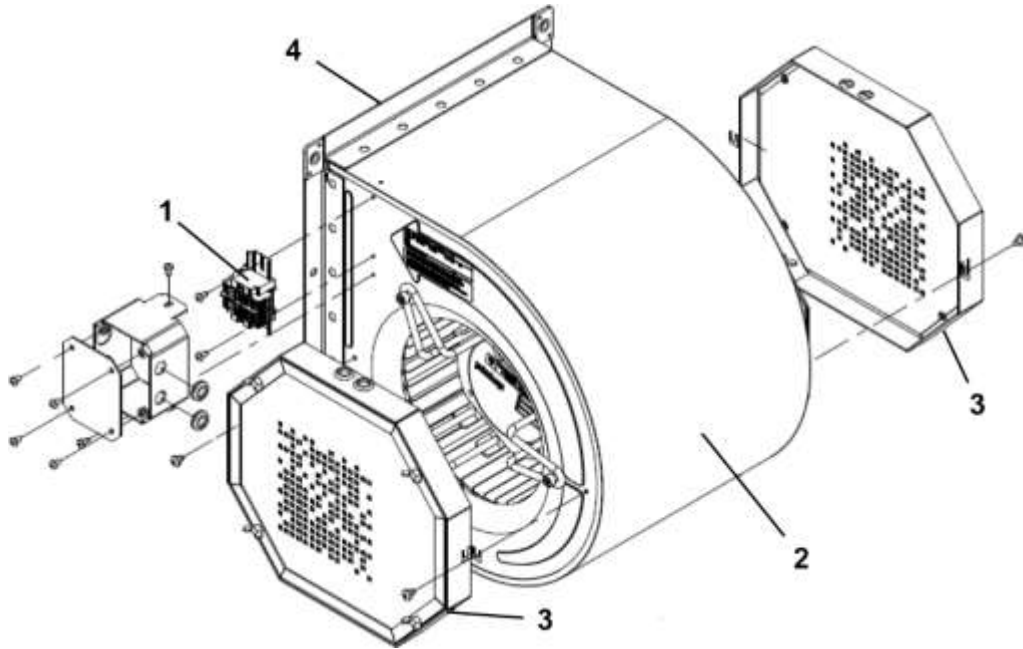


W/O VINTAGE		
REF. No.	PART No.	DESCRIPTION
1	---	Assembly, Blower, p. 4
2	---	Assembly, Brake System, p. 7
3	---	Assembly, Deflector Sheave, p. 13
4	---	Assembly, Encoder, p. 5
*	---	Assembly, Guarding, p. 15
*	---	Assembly, Isolation Pad, p. 14
5	---	Assembly, Oil Reservoir, p. 6
*	---	Assembly, Rope Lubricator, p. 15
6	---	Assembly, Terminal Box, p. 12
7	AAA20220CL1	Bearing, Cartridge

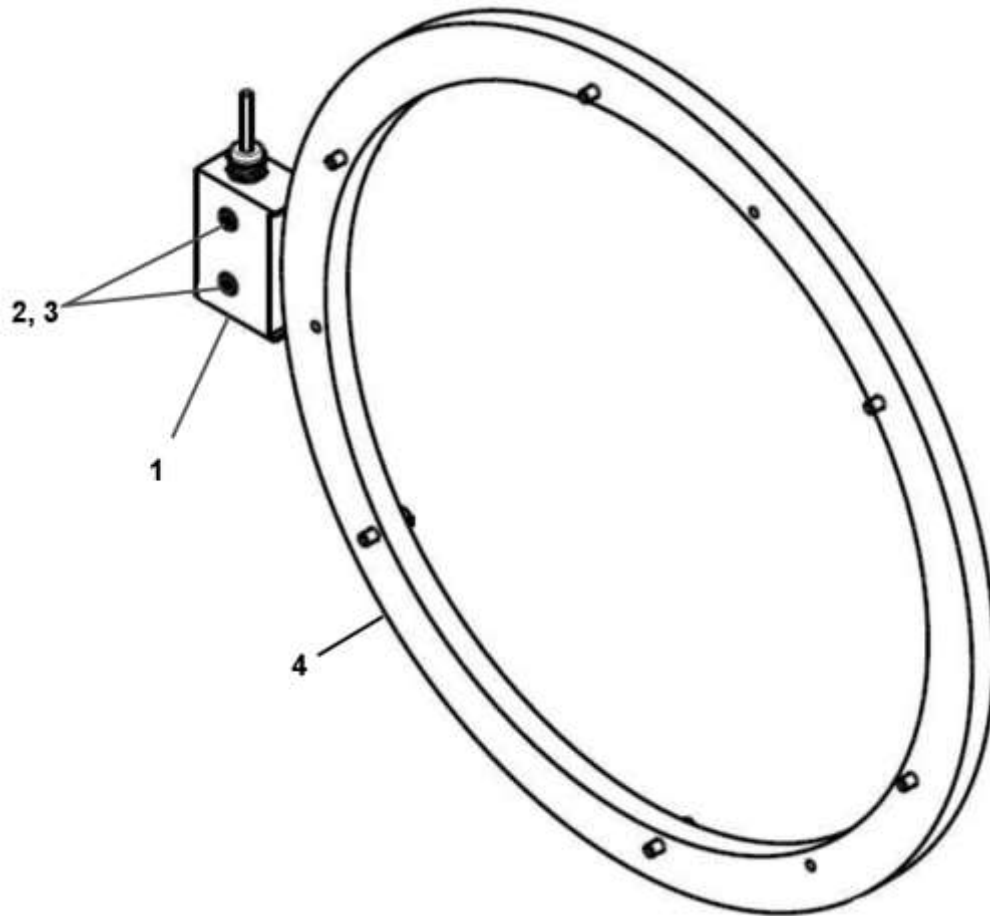
* Not shown.

NOTES:

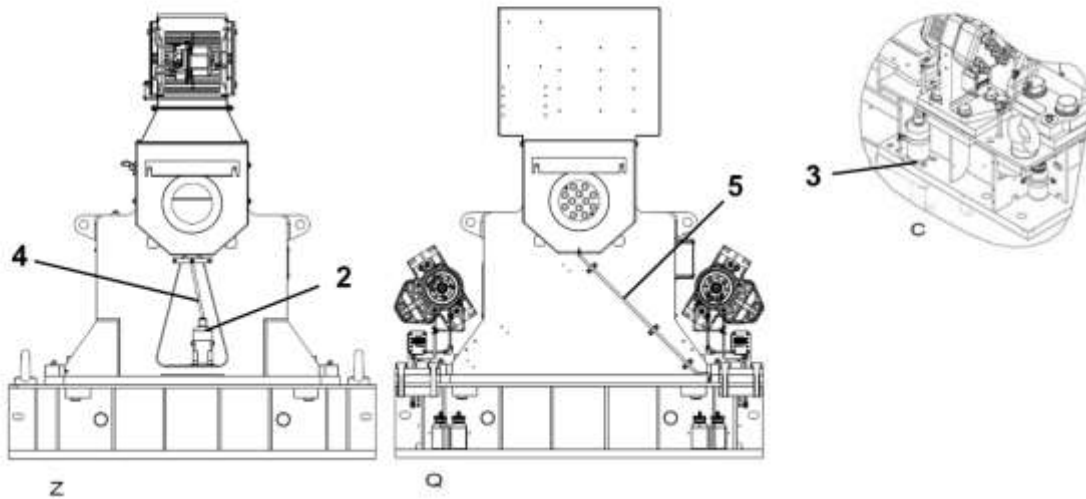
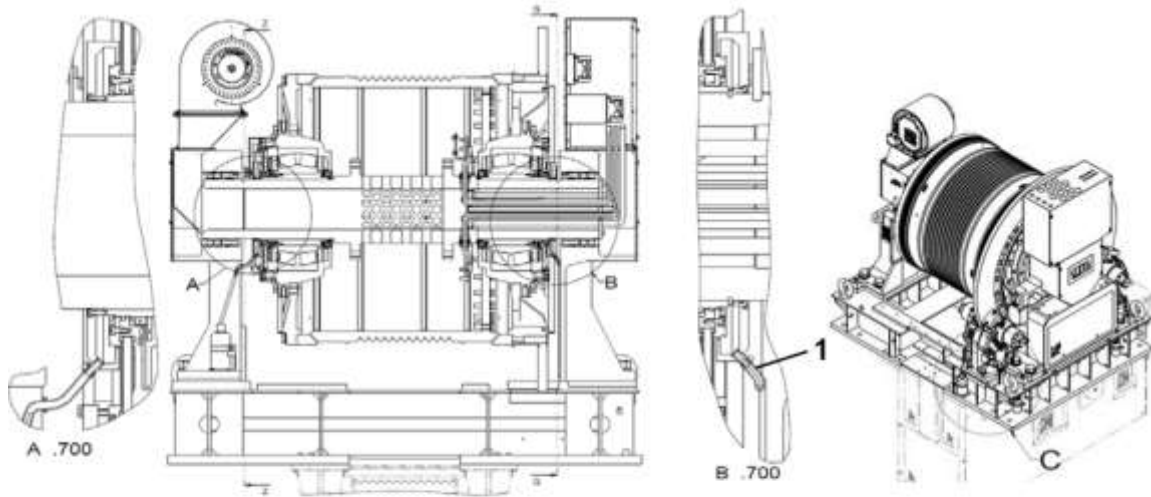
1. Bearing lubricant used in the bearing cartridge is AAA518BB.
2. 2.7L of lubricant is required for each bearing cartridge.



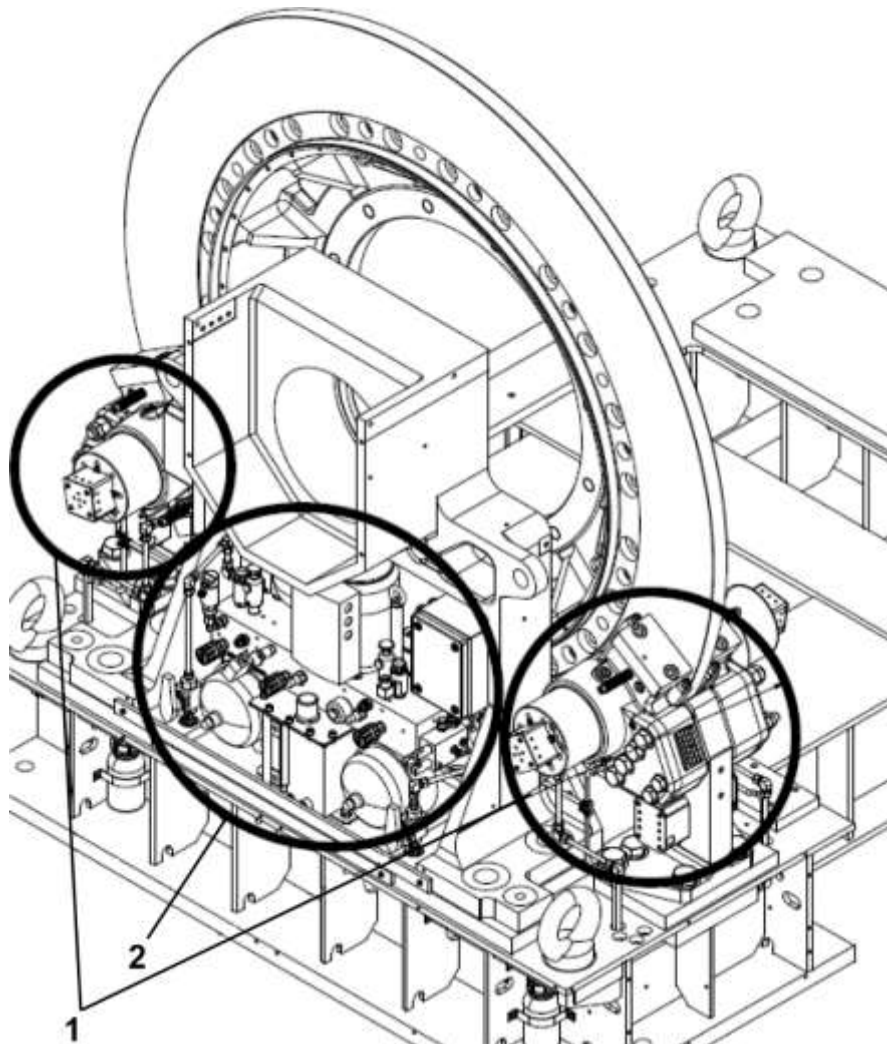
	W/O VINTAGE	
REF. No.	PART No.	DESCRIPTION
1	AAA21303EW4	Assembly, Blower, Terminal Block
2	AAA29509G10	Blower
3	AAA737AB10	Filter, Blower
4	AAA376HY1	Gasket, Blower







W/O VINTAGE		
REF. No.	PART No.	DESCRIPTION
1	AAA633AK3	Assembly, Sensor, Encoder
2	DIN128A-M8-430HV-Z	Lockwasher, M8
3	ISO4762M8X40-8.8Z	Screw, Cap, M8 x 40
4	AAA633AK2	Wheel, Encoder

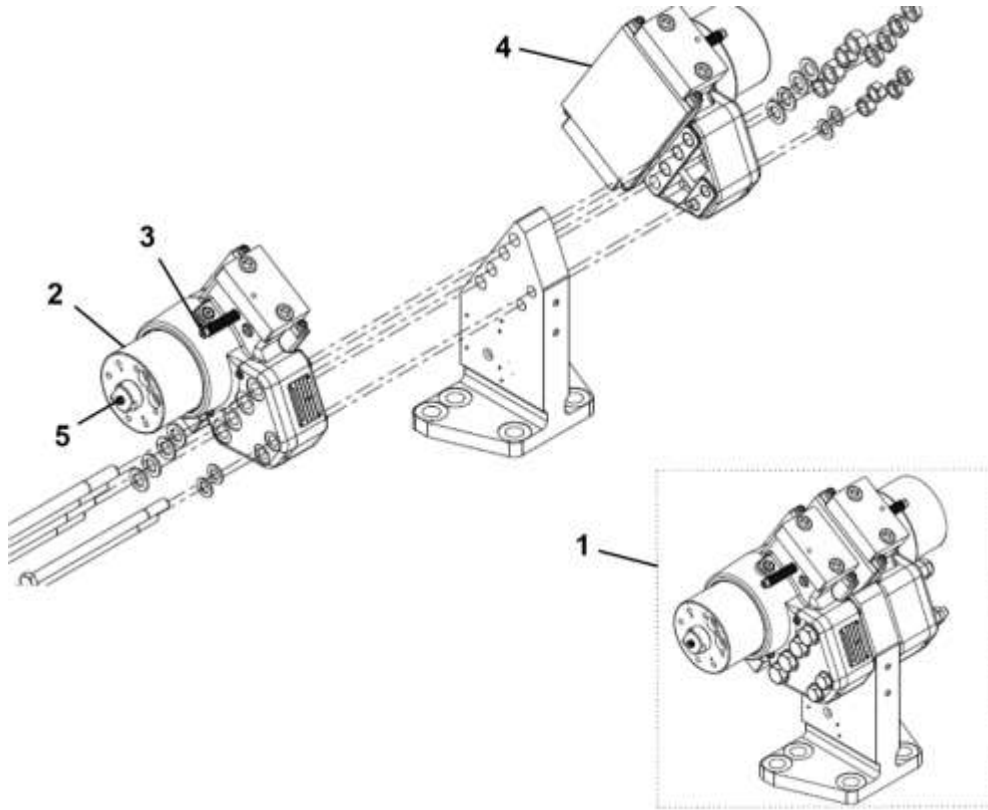


W/O VINTAGE		
REF. No.	PART No.	DESCRIPTION
1	AAA333SE1	Clamp
2	AAA148AW1	Tank, Reservoir Assembly with Bracket
3	AAA148AX1	Tank, Reservoir Assembly with Bracket
4	AAA137BY3	Tube, Length = 17.7 in.
5	AAA137BY4	Tube, Length = 73.3 in.

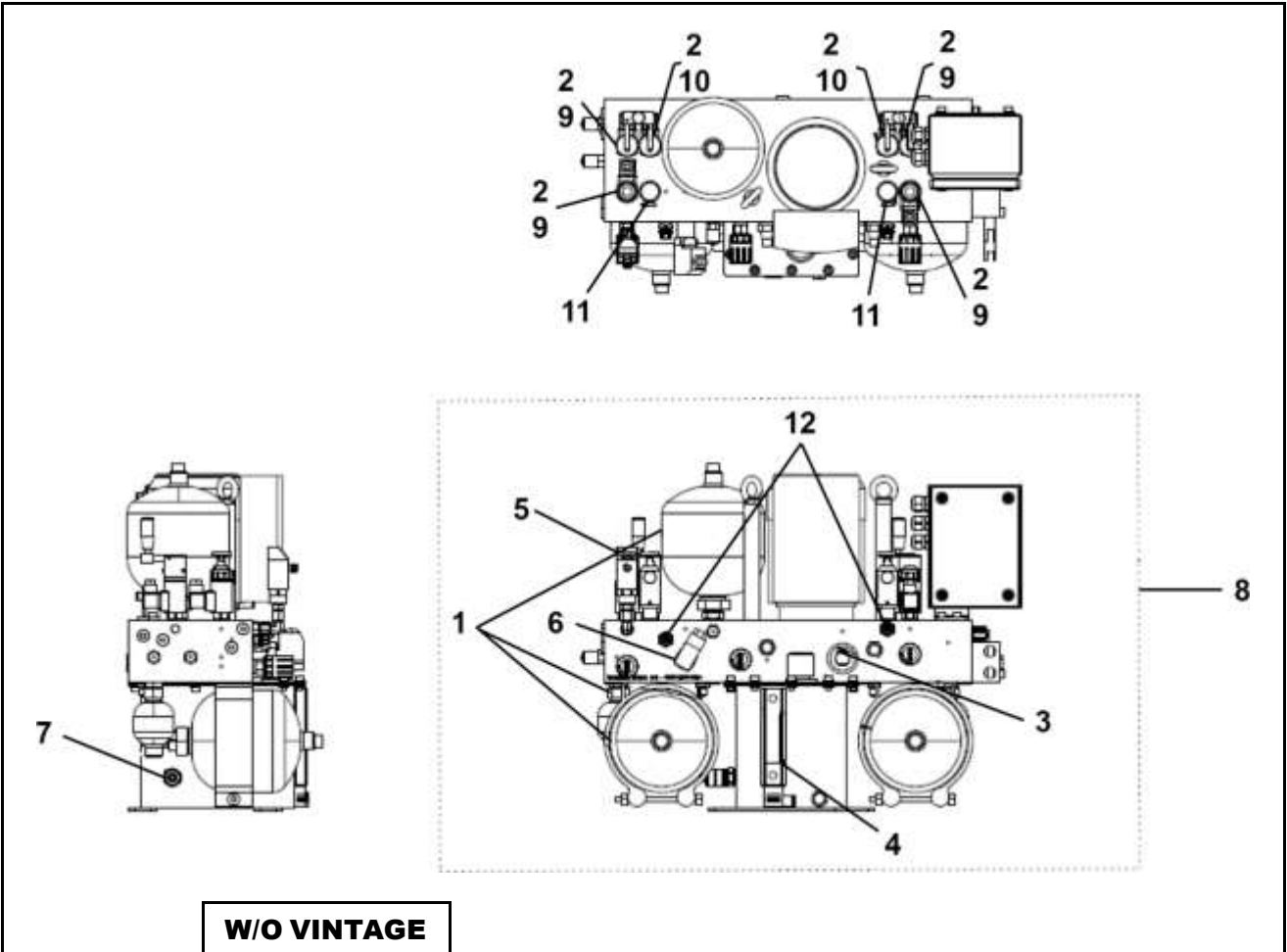


		W/O VINTAGE
REF. No.	PART No.	DESCRIPTION
1	---	Assembly, Caliper, Brake Detail,  p. 8
2	---	Assembly Hydraulic Power Unit,  pp. 9–10
*	---	Bottles and Lines Detail,  p. 10
*	---	Special Tools,  p. 11

* Not shown.

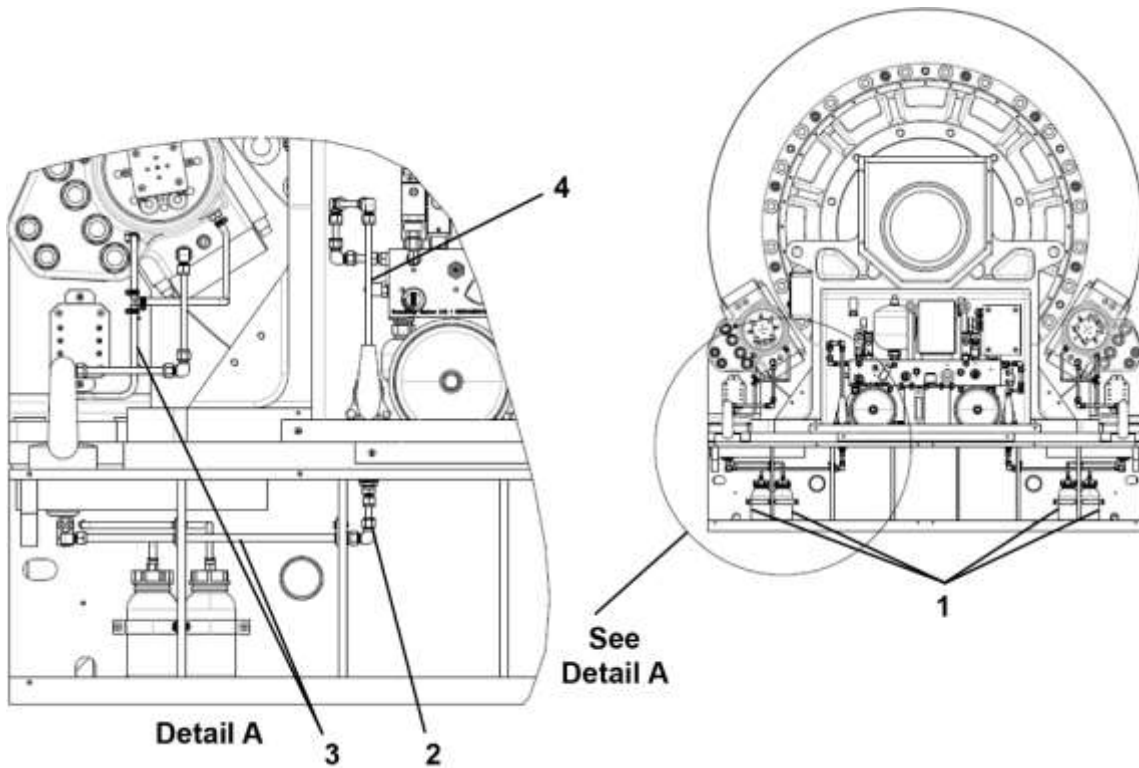


		W/O VINTAGE	
REF. No.	PART No.	DESCRIPTION	NOTES
1	AAA20236AB1	Assembly, Caliper, Brake	Speed ≤ 10m/s
	AAA20236AB11		Speed > 10m/s
2	AAA336SL1	Caliper	Does Not Include Pads
3	AAA415AW1	Pad, Brake	Speed ≤ 10m/s Set Includes 2 Pads
	AAA415AW11		Speed > 10m/s Set Includes 2 Pads
4	AAA90HP1	Spring, Brake Pad Retraction	Set Includes 2 Springs
5	AAA608K1	Switch, Proximity	---



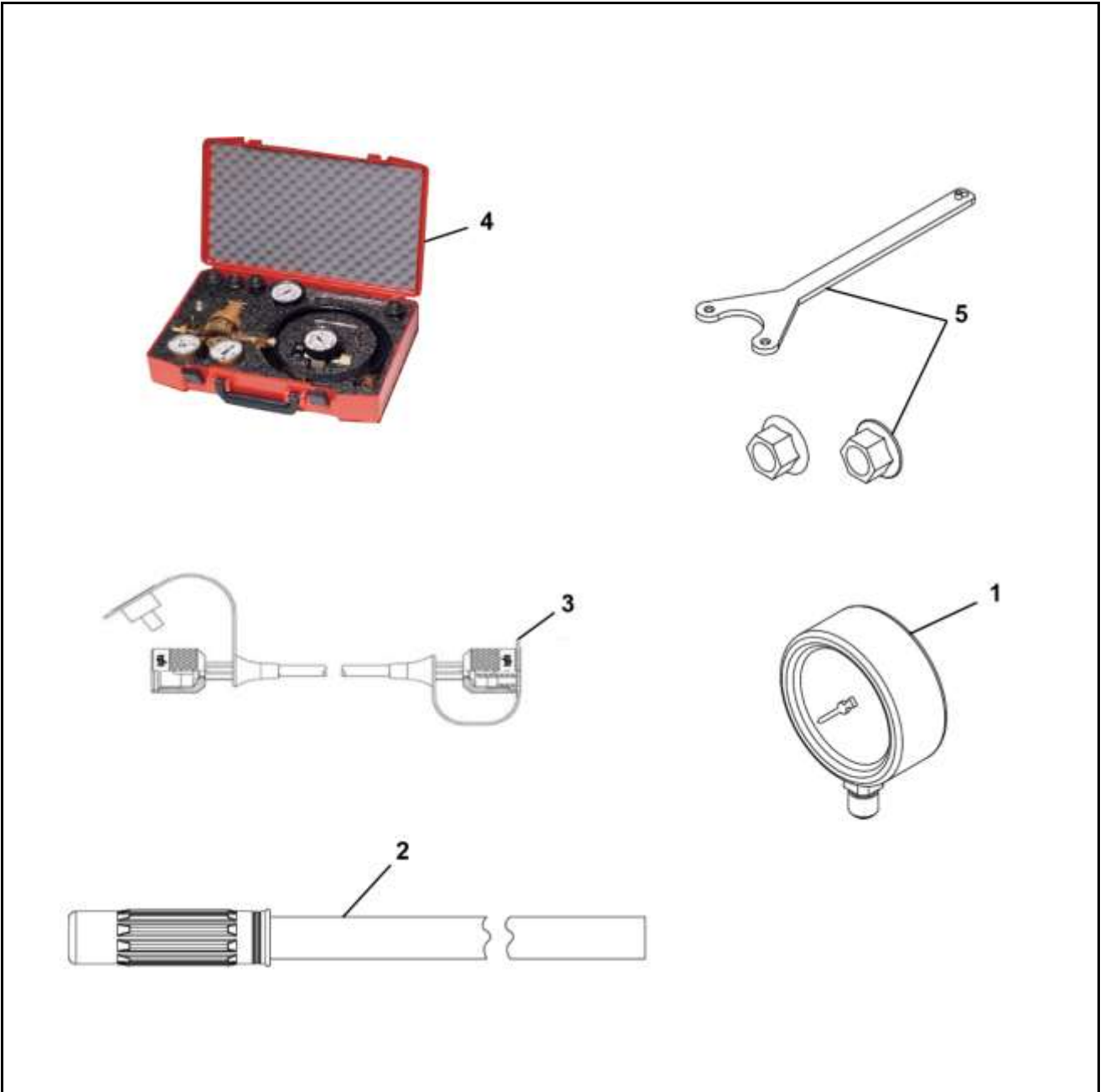
W/O VINTAGE		
REF. No.	PART No.	DESCRIPTION
1	AAA508AQ1	Accumulator, 2 L
2	AAA234BH1	Coil, Solenoid
3	AAA737AE1	Filter Element, 10 Micron
4	AAA269BM1	Glass, Sight, for Oil Level with Switch
5	AAA269BL1	Sensor, Pressure
6	AAA269BK1	Switch, Filter
7	AAA661S1	Switch, Oil Temperature
8	AAA29509Z10	Unit, Power, Hydraulic
9	AAA271DT1	Valve, Directional Solenoid, Normally Open
10	AAA271DS1	Valve, Directional Solenoid, Normally Closed
11	AAA271DV1	Valve, Relief
12	AAA271DW1	Valve, Throttle

- NOTES:**
1. Bearing lubricant used in the bearing cartridge is type AAA518BB.
 2. 2.7l of lubricant is required for each bearing cartridge.



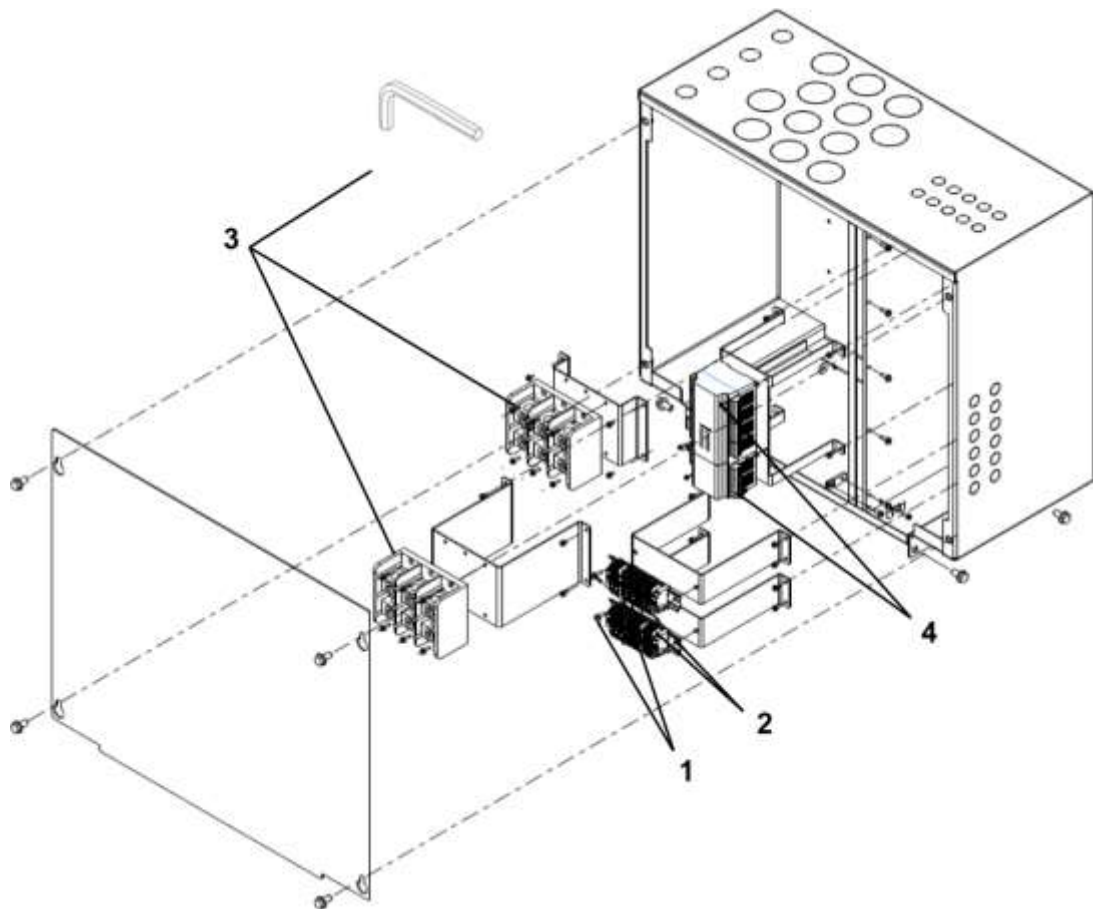
W/O INTAGE		
REF. No.	PART No.	DESCRIPTION
1	AAA508AK10	Bottle, Reservoir
2	AAA378G1	Kit, Ferrule and Nut
3	AAA137BT1	Lines, Hydraulic, Non-Metallic (4.5 m)
4	AAA135HX50	Lines, Hydraulic, Metallic (6 m)

NOTE: Ref. 3 and 4 lengths are as purchased and must be cut to length.



W/O VINTAGE		
REF. No.	PART No.	DESCRIPTION
1	AAA719AH1	Gauge, Pressure
2	AAA388CR1	Handle
3	AAA134F1	Hose, Test Point (630 Bar)
4	AAA20250D1	Kit, Accumulator Charger (Brake Release Tool)
5	AAA314AM1	Kit, Tool (M24 Flange Nuts and Brake Spanner)

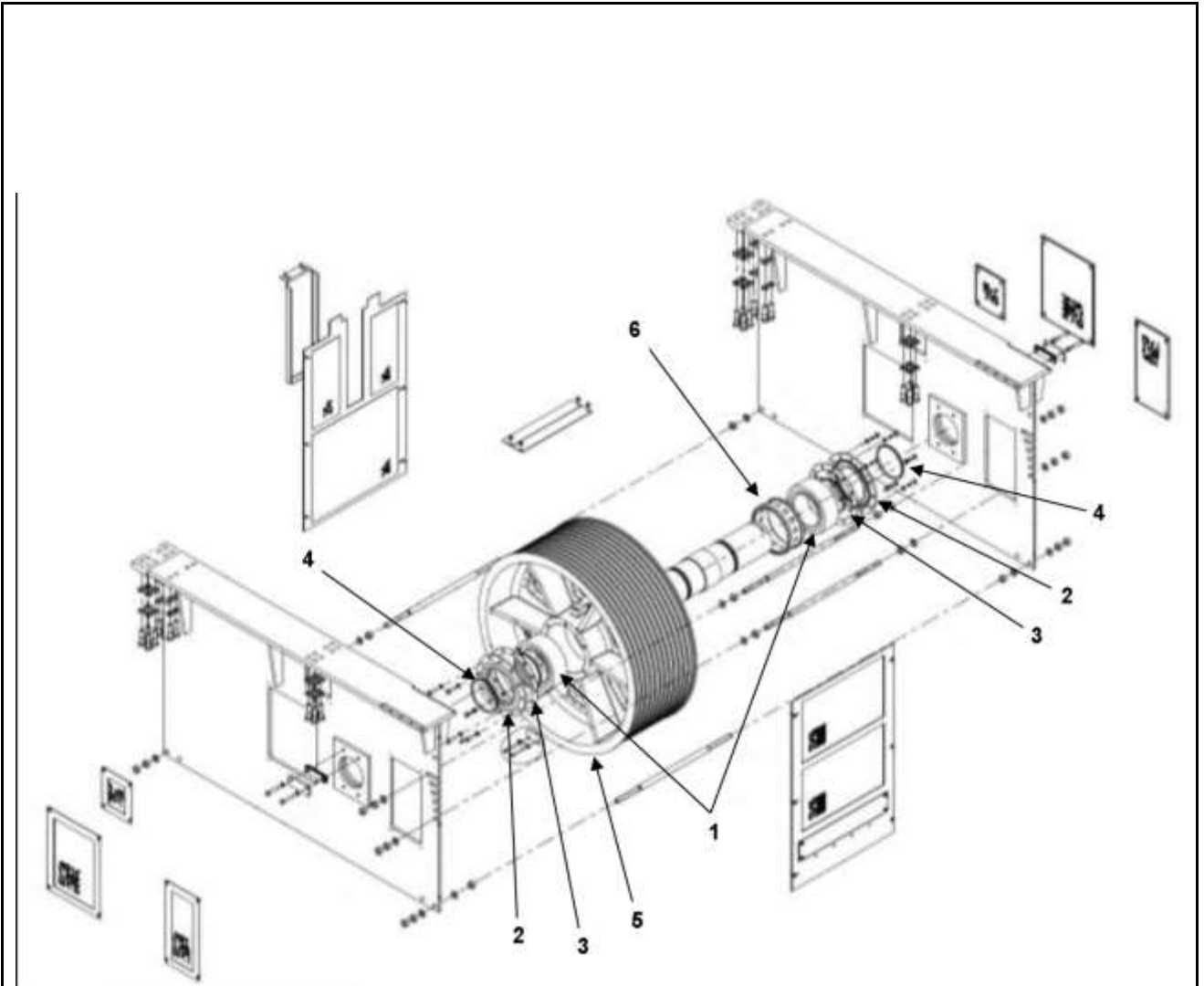
NOTE: These parts are used for brake release.



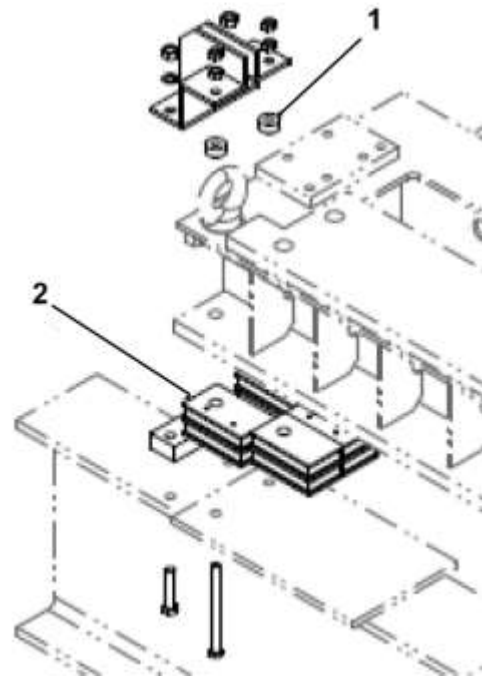
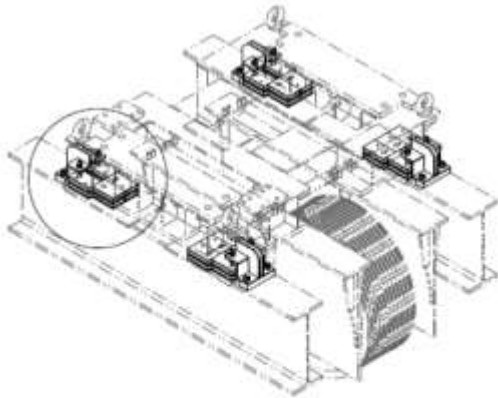
W/O VINTAGE		
REF. No.	PART No.	DESCRIPTION
1	AAA21303EW1	Assembly, Terminal Block, Brake and Blower
	AAA124FD14	Screw, Sems, M5 x 16
2	AAA21303EW5	Assembly, Terminal Block, Thermal Sensors
	AAA124FD14	Screw, Sems, M5 x 16
3	AAA303GB1	Block, Terminal, Motor
	AAA124FD5	Screw, Sems, M4 x 16
	AAA314AL1	Wrench, Allen
4	AAA816AV1	Controller, Blower, Module
	AAA124FD16	Screw, Sems, M3 x 10

Deflector Sheave Assembly

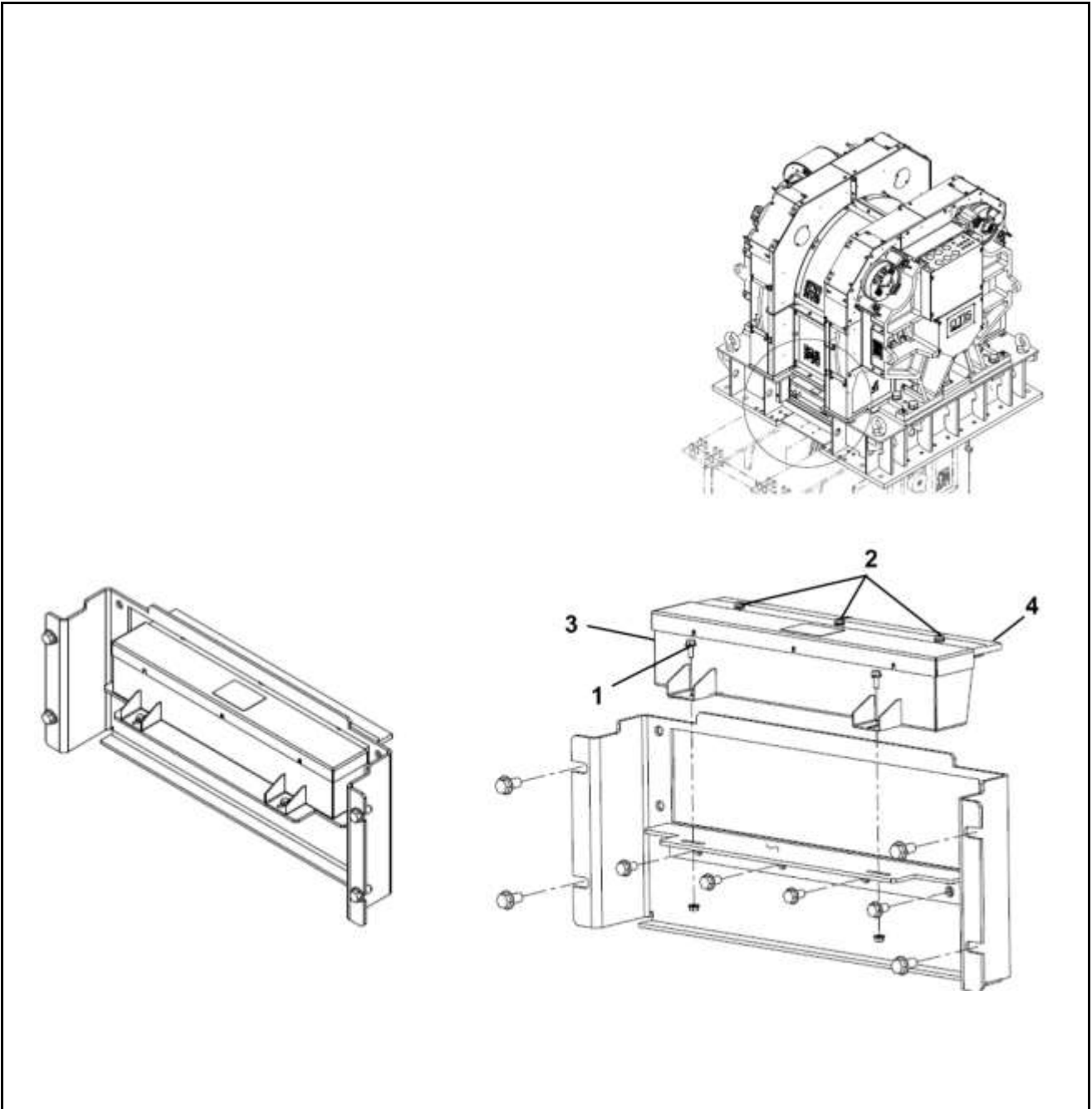
06-AAA20220CR



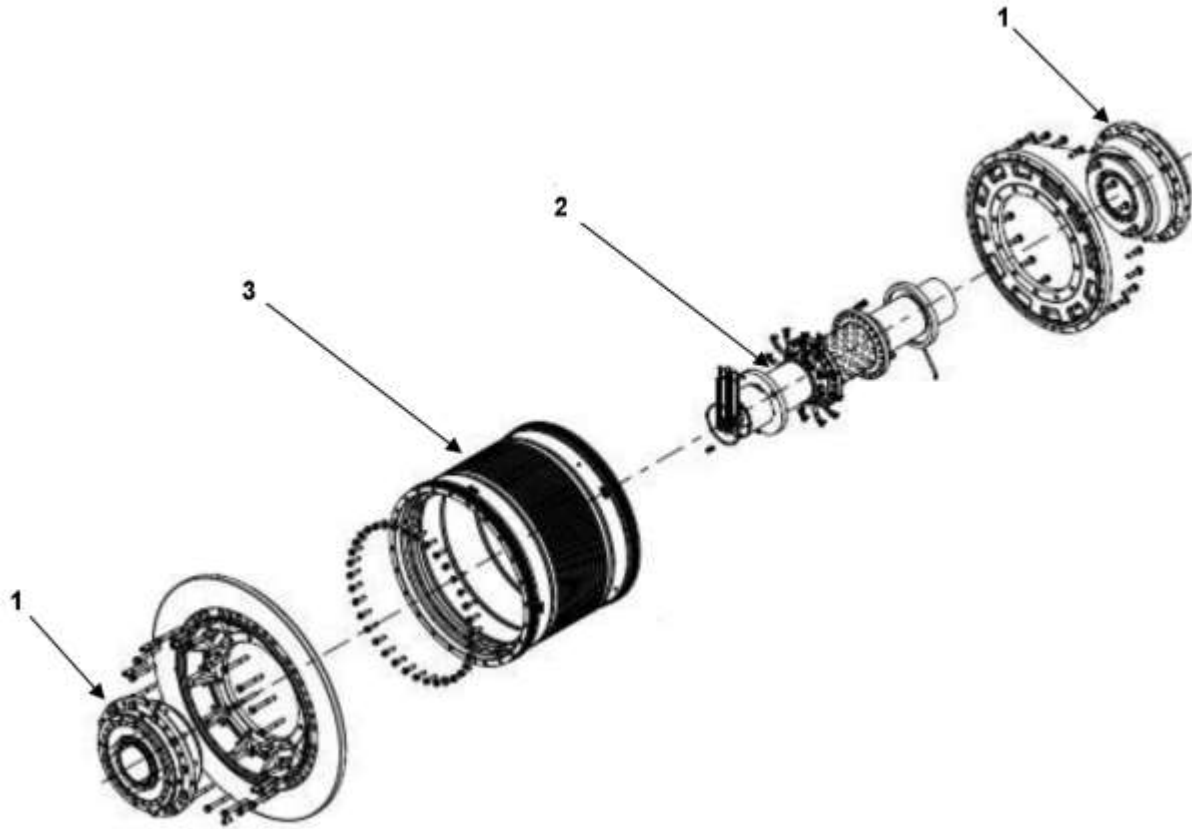
W/O VINTAGE		
REF. No.	PART No.	DESCRIPTION
1	AAA212AJ2	Bearing, Spherical
2	AAA346BKQ1	Cover
3	AAA376JL1	Gasket
4	AAA33BJ2	Seal
5	AAA495GA1	Sheave
6	AAA462DZ1	Spacer



W/O VINTAGE		
REF. No.	PART No.	DESCRIPTION
1	JAA321AET1	Bushing, Isolation, Rubber
2	JAA310BGB1	Pad, Isolation, Rubber (220 mm x 130 mm)



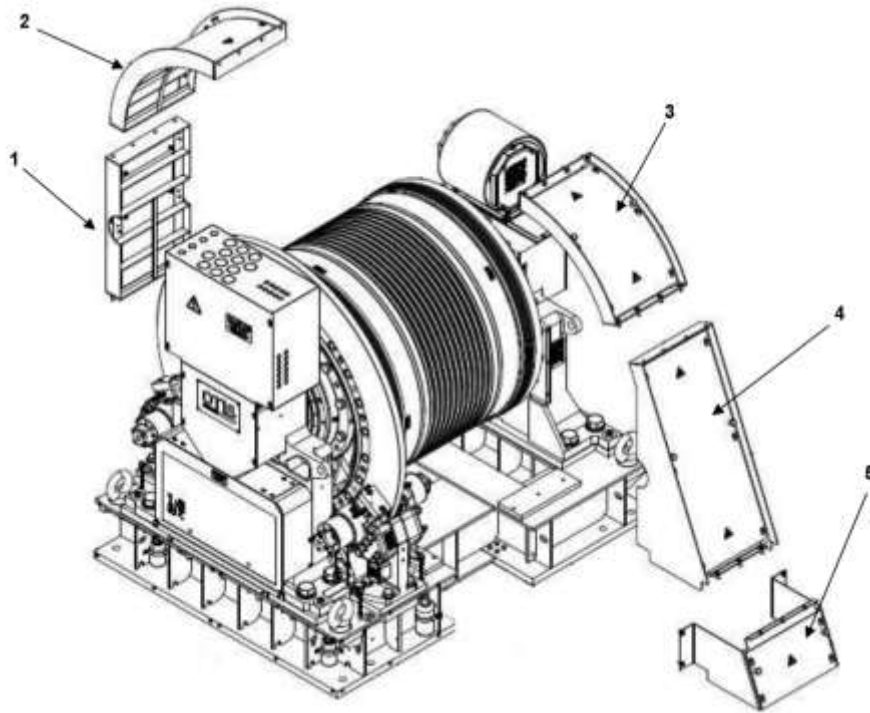
W/O VINTAGE		
REF. No.	PART No.	DESCRIPTION
1	DIN6921M6X16-8.8Z	Bolt, Hex Flange, M6 x 16
2	BRM06X030-RL	Bolt, Hex Cross Head, M6 x 30
3	JAA508AAP6	Lubricator, Rope
4	JAA488AAD6	Wick



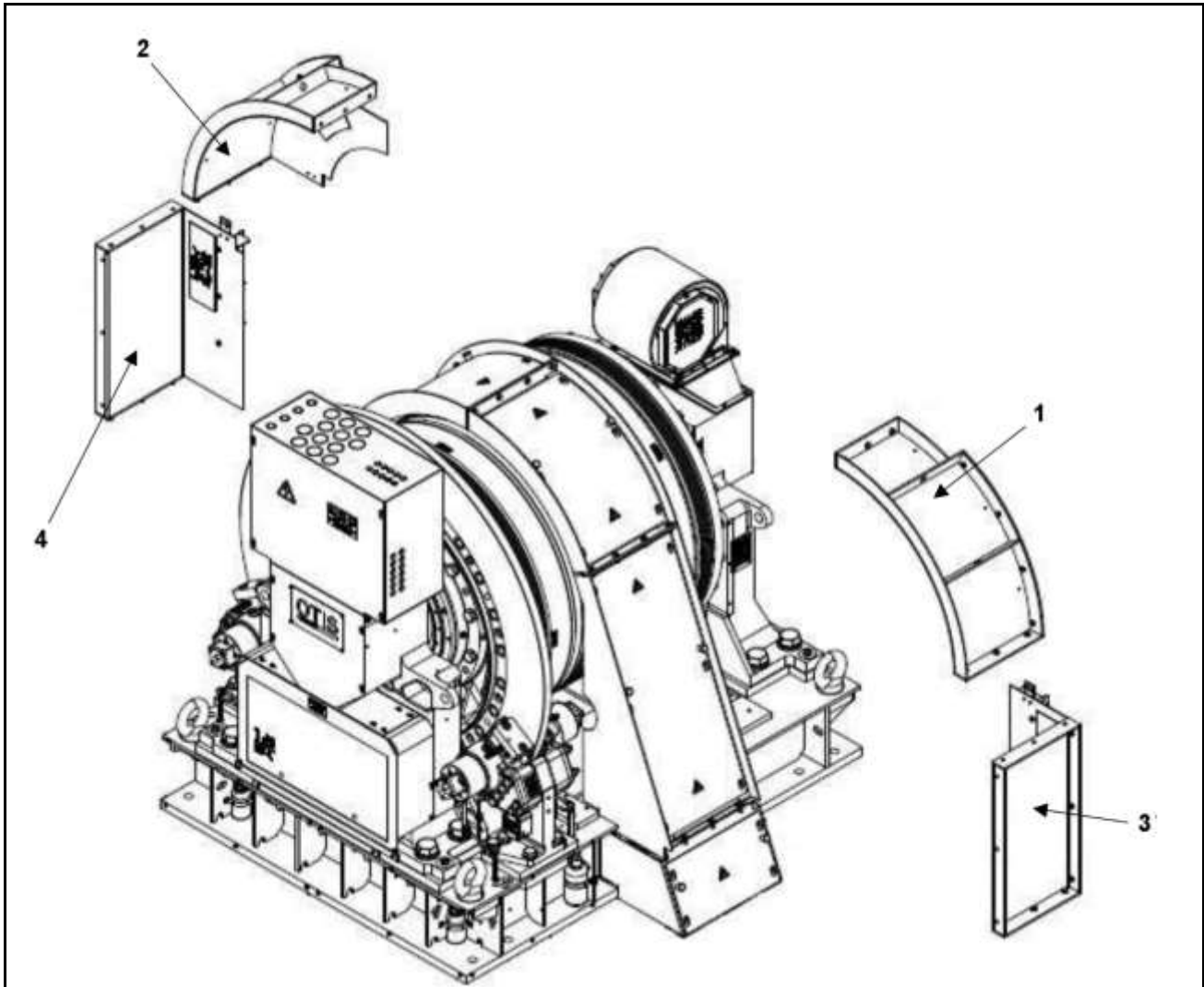
W/O VINTAGE		
REF. No.	PART No.	DESCRIPTION
1	AAA20220CL1	Assembly, Bearing Cartridge
2	AAA494QV1	Shaft
3	AAA265GC1	Sheave/Rotor, 30° Undercut
	AAA265GC2	Sheave/Rotor, 45° Undercut
	AAA265GC3	Sheave, 60° Undercut
	AAA261AS1	Sheave Liner

Guarding

06-AAA20220CR



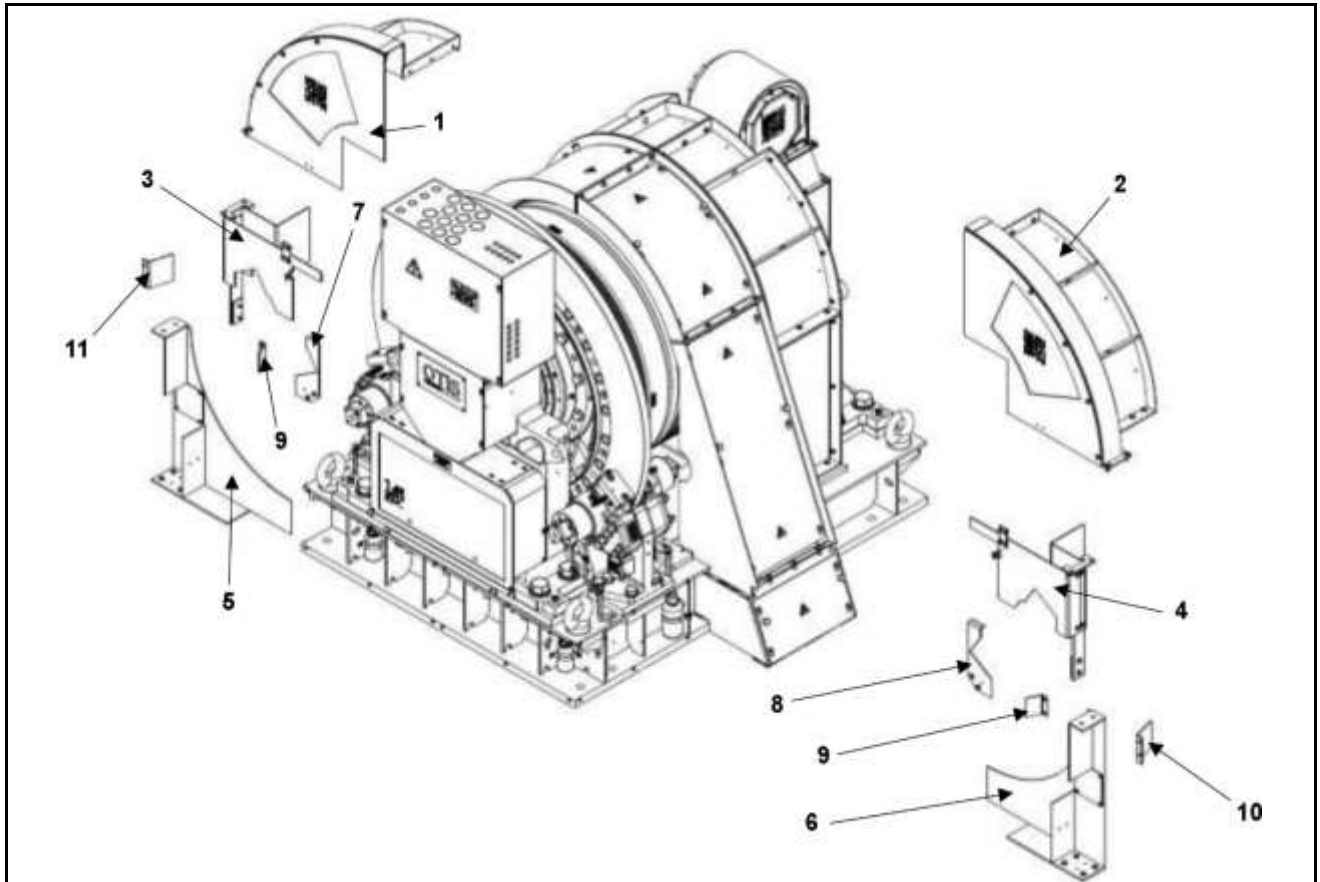
W/O VINTAGE		
REF. No.	PART No.	DESCRIPTION
1	AAA384BAB1	Guard, Sheave, Vertical
	AAA384BAB2	Guard, Sheave, Vertical (Acoustic Package)
2	AAA384BAC1	Guard, Sheave, 90° Angle
	AAA384BAC2	Guard, Sheave, 90° Angle (Acoustic Package)
3	AAA384BAF1	Guard, Sheave Rope Drop 1250–1600 mm
	AAA384BAF2	Guard, Sheave Rope Drop 1250–1600 mm (Acoustic Package)
	AAA384BAE1	Guard, Sheave Rope Drop 1601–1750 mm
	AAA384BAE2	Guard, Sheave Rope Drop 1601–1750 mm (Acoustic Package)
	AAA384BAD1	Guard, Sheave Rope Drop 1751–1900 mm
	AAA384BAD2	Guard, Sheave Rope Drop 1751–1900 mm (Acoustic Package)
	AAA384BAK1	Guard, Sheave Rope Drop 1901–2050 mm
	AAA384BAK2	Guard, Sheave Rope Drop 1901–2050 mm (Acoustic Package)
4	AAA384BAG1	Guard, Sheave Rope Drop 1250–1600 mm
	AAA384BAG2	Guard, Sheave Rope Drop 1250–1600 mm (Acoustic Package)
	AAA384BAH1	Guard, Sheave Rope Drop 1601–1750 mm
	AAA384BAH2	Guard, Sheave Rope Drop 1601–1750 mm (Acoustic Package)
	AAA384BAJ1	Guard, Sheave Rope Drop 1751–1900 mm
	AAA384BAJ2	Guard, Sheave Rope Drop 1751–1900 mm (Acoustic Package)
	AAA384BAL1	Guard, Sheave Rope Drop 1901–2050 mm
	AAA384BAL2	Guard, Sheave Rope Drop 1901–2050 mm (Acoustic Package)
5	AAA384BAN1	Guard, Sheave Rope Drop 1250–1600 mm
	AAA384BAN2	Guard, Sheave Rope Drop 1250–1600 mm (Acoustic Package)
	AAA384BAP1	Guard, Sheave Rope Drop 1601–1750 mm
	AAA384BAP2	Guard, Sheave Rope Drop 1601–1750 mm (Acoustic Package)
	AAA384BAM1	Guard, Sheave Rope Drop 1751–1900 mm
	AAA384BAM2	Guard, Sheave Rope Drop 1751–1900 mm (Acoustic Package)
	AAA384BAQ1	Guard, Sheave Rope Drop 1901–2050 mm
	AAA384BAQ2	Guard, Sheave Rope Drop 1901–2050 mm (Acoustic Package)



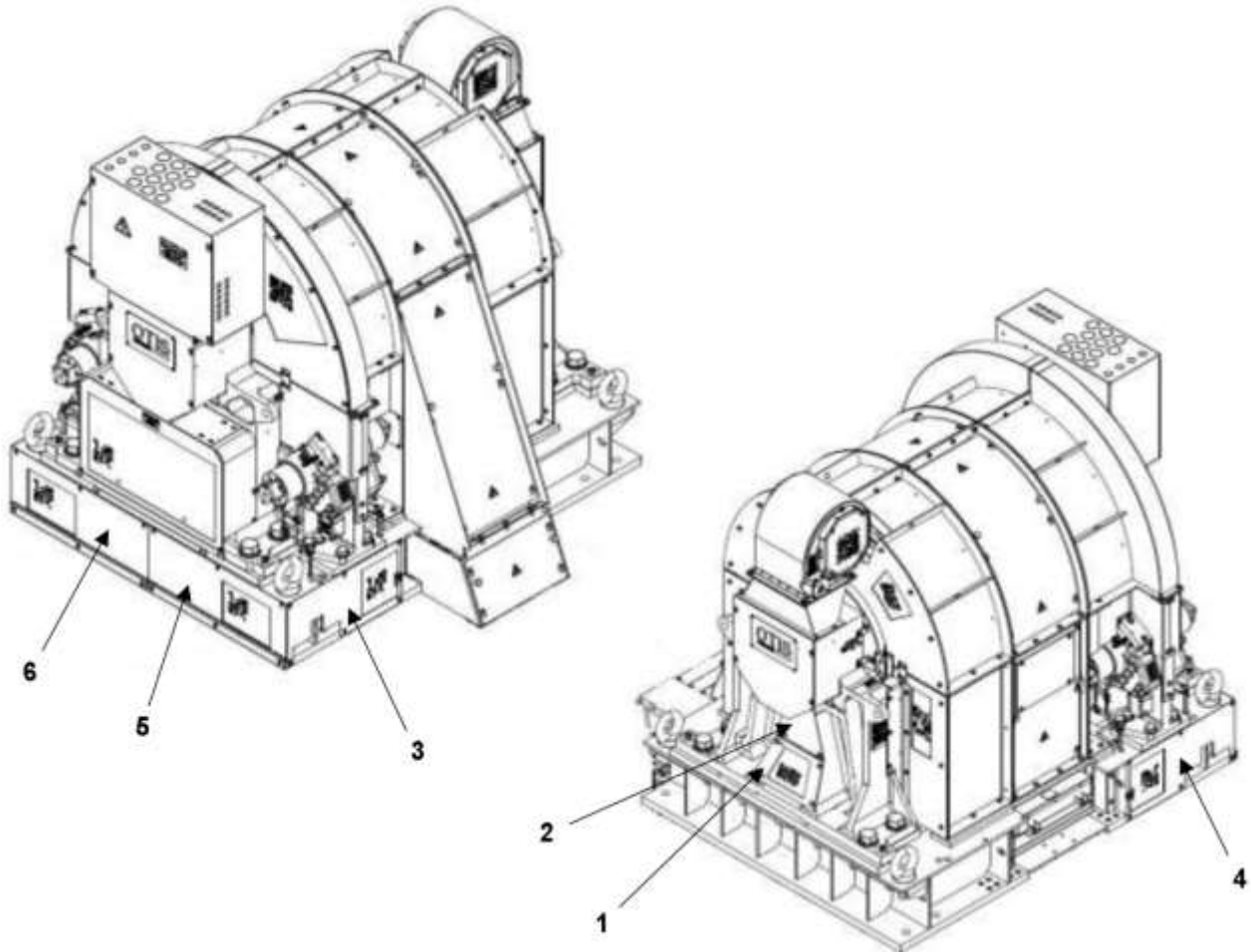
W/O VINTAGE		
REF. No.	PART No.	DESCRIPTION
1	AAA374AED1	Guard, Front Upper
	AAA374AED3	Guard, Front Upper (Acoustic Package)
2	AAA374AED2	Guard, Rear Upper
	AAA374AED4	Guard, Rear Upper (Acoustic Package)
3	AAA374AEC1	Guard, Front Lower
	AAA374AEC3	Guard, Front Lower (Acoustic Package)
4	AAA374AEC2	Guard, Rear Lower
	AAA374AEC4	Guard, Rear Lower (Acoustic Package)

Guarding

06-AAA20220CR



W/O VINTAGE		
REF. No.	PART No.	DESCRIPTION
1	AAA374AEG1	Guard, Rear Upper
	AAA374AEG3	Guard, Rear Upper (Acoustic Package)
2	AAA374AEG2	Guard, Front Upper
	AAA374AEG4	Guard, Front Upper (Acoustic Package)
3	AAA374AEF1	Guard, Rear Lower
4	AAA374AEF2	Guard, Front Mid
5	AAA374AEE1	Guard, Rear Lateral
6	AAA374AEE2	Guard, Front Lateral
7	AAA384BAT1	Guard, Rear
8	AAA384BAT2	Guard, Front
9	AAA384BAT3	Guard, Front
10	AAA384BAV1	Guard, Tab, Front
11	AAA384BAV2	Guard, Tab, Rear



W/O VINTAGE		
REF. No.	PART No.	DESCRIPTION
1	AAA346BNN1	Cover, End Lower
2	AAA346BNN2	Cover, Upper, No Holes
3	AAA346BNW10	Cover, Bedplate
4	AAA346BNW20	Cover, Bedplate
5	AAA346BNW30	Cover, Bedplate Front
6	AAA346BNW40	Cover, Bedplate Rear