

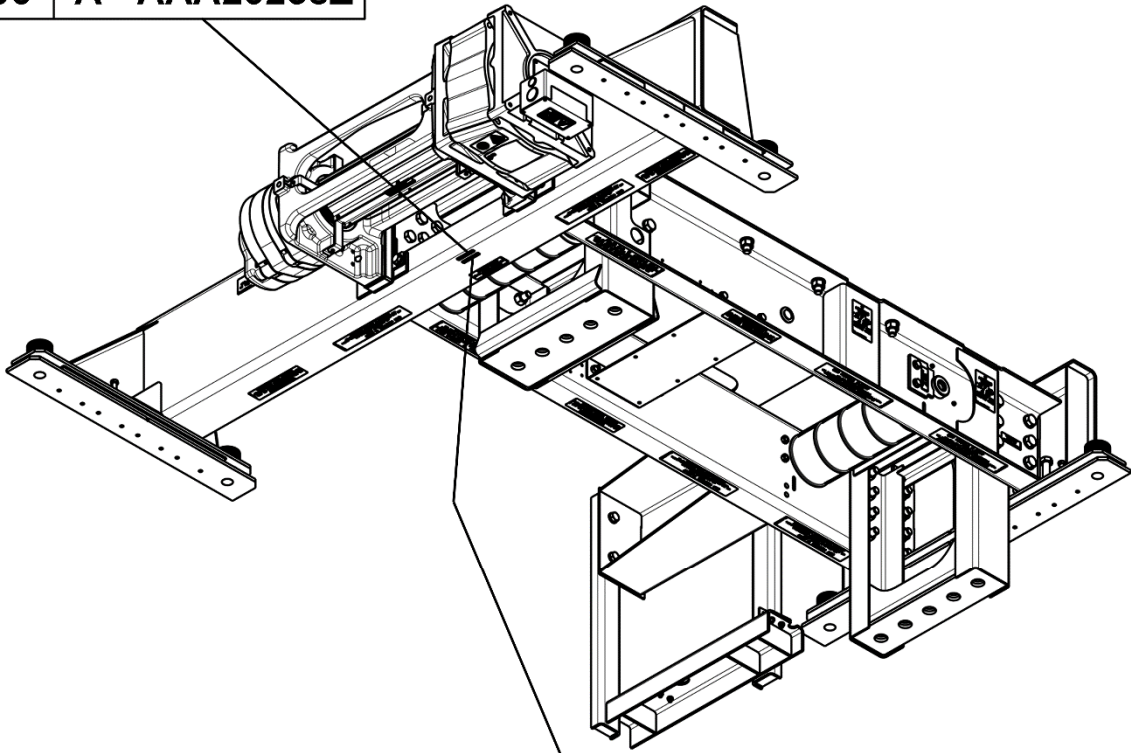
**Machine-Roomless
Integrated Machine and
Bedplate Structure
(NSAA Passenger Duties with
Side Counterweight)**

Spare Parts Leaflet

06-AAA20238AA

January 22, 2020 / Page 1 of 4

06 A - AAA20238Z



The vintage tag is mounted to the underside of the machine structure.

06 A - AAA20238AA

06 A - ABA20238AA

06 A - ADA20238AA

06 A - AEA20238AA

OTIS

This document does not contain any technical data subject to EAR or ITAR

**SERVICE ENGINEERING
Otis Elevator Company
Bloomfield, Connecticut USA**

Unpublished Work—© Otis Elevator Co.; 2020

Leaflet Description

This SPL lists the lowest replaceable units (LRUs) for the machine mounting structure used with NSAA extended passenger duties using a side counterweight.

Leaflet Revisions

Date Revised	Subject Matter Expert	Reason for Revision
September 21, 2011	Richard Blakelock	New SPL
January 22, 2020	Gary Mendrala	Added ADA and AEA vintage information

Related Drawings

Drawing No.	Title	Drawing No.	Title
AAA20238Z	Assembly, Integrated Machine and Bedplate Structure (IMBS) for NSAA Extended Passenger Duties with Side Counterweight	AAA20780W	Sheave Assembly
AAA20780C	Sheave Assembly	AAA20220BG	Optimized Gen2 5.2T Machine ASME Series
AAA20220BE	Optimized Gen2 4.1T and 5.0T Machine ASME Series	AAA20780AS	Sheave Assembly
ADA20238AA	Bedplate Assembly	AEA20238AA	MRL Bedplate Assembly

Related Documents

Document ID	Title
SPL 06-AAA20220AN	<i>Gen2® 5T AC Permanent Magnet Gearless Machine: ANSI-Compliant (Extended Duty & Next Generation High Rise)</i>
SPL 06-AAA20220AS	<i>Gen2® 5T AC Gearless Machine: ANSI- and EN81-Compliant (regenerative drive)</i>
SPL 06-AAA20220BE	<i>Optimized Gen2 4.1T and 5.0T Machine ASME Series</i>
SPL 06-AAA20220BG	<i>Optimized Gen2 5.2T Machine ASME Series</i>
SPL06-AAA20220AV	<i>AC Gearless Machine, 1.5 T & 2.5 T (Regenerative)</i>

Subject Matter Expert

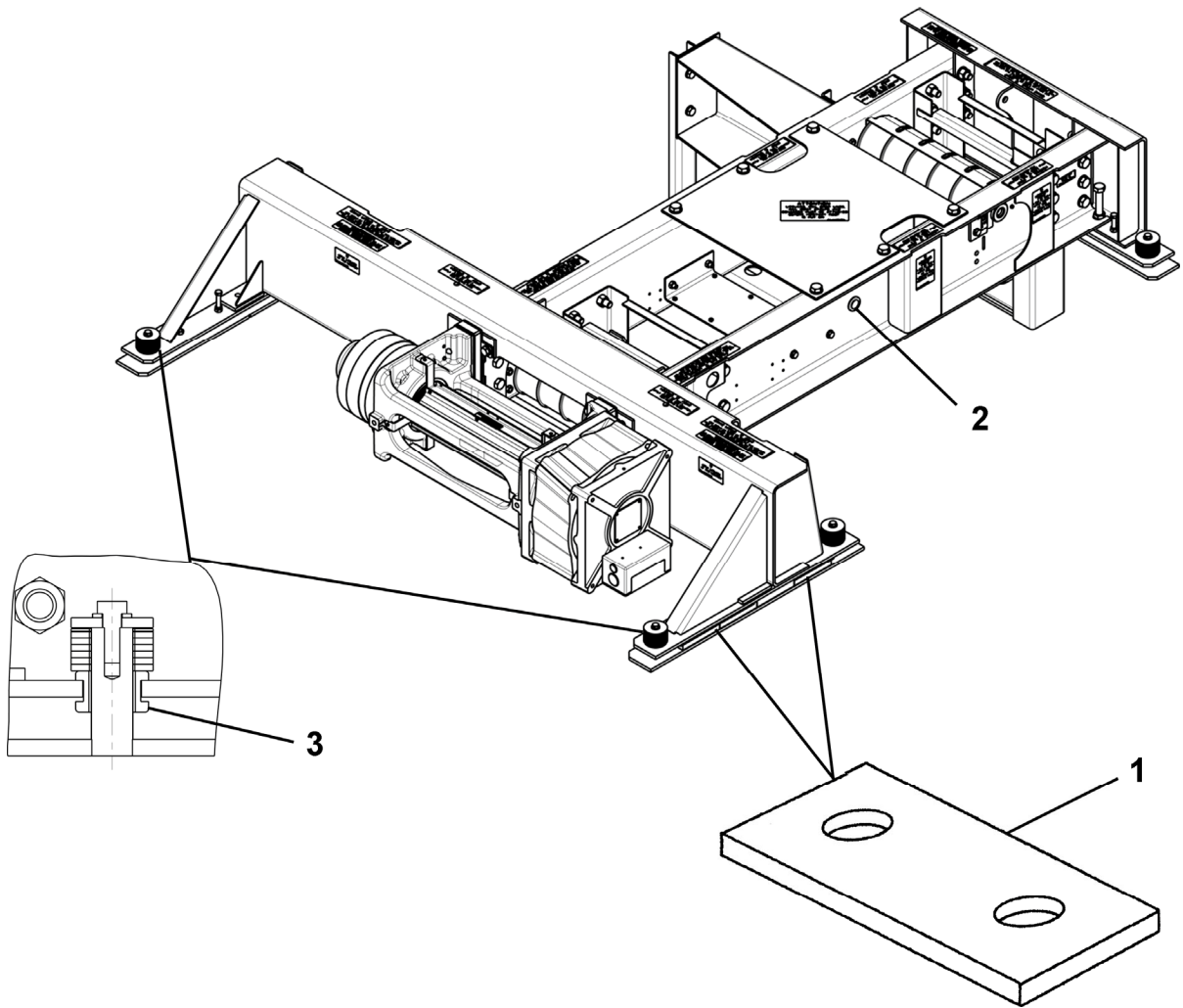
Name	Department
Gary Mendrala	OSC Service Engineering

About Spare Parts Leaflets...

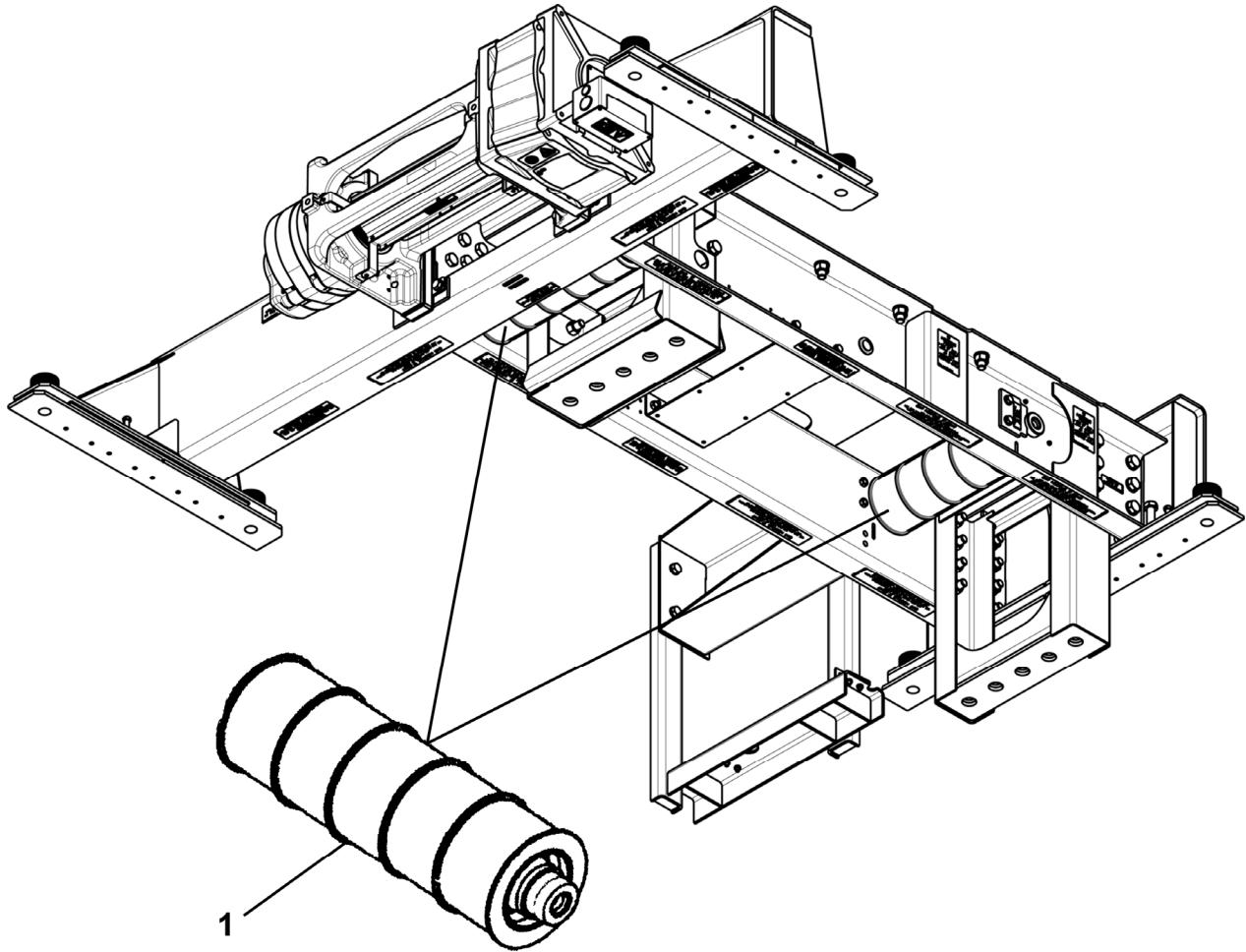
This document lists the lowest replaceable units (LRUs) for the standard version of the product. The LRUs are chosen by a team of Otis associates representing engineering and manufacturing.

While goal of this document is to make parts identification as easy as possible, the document cannot be all-inclusive. Elevator and escalator contracts classified as "special" or "custom" are not addressed here. For such contracts, please refer to specified information, the contract folder, TIPs, Field Education Articles, Construction Letters, etc. for further information.

If you have any suggestions about this document, please contact the subject matter expert listed on this page.



ALL VINTAGES		
REF. No.	PART No.	DESCRIPTION
1	AAA310VT1	Block, Sound Isolation, 6 x 3 in.
2	334H42	Bushing, Rubber, 1.75 in. \varnothing , 1.0 in. Wide
3	334H43	Bushing, Rubber, 2.5625 in. \varnothing , 0.875 in. Wide



REF. No.	PART No.	DESCRIPTION
	AAA20238AA ABA20238AA	
1	AAA20780C5 AAA20780W4 AAA20780AS1	Assembly, Sheave
*	AAA349C1	Compound, Anti-Fretting