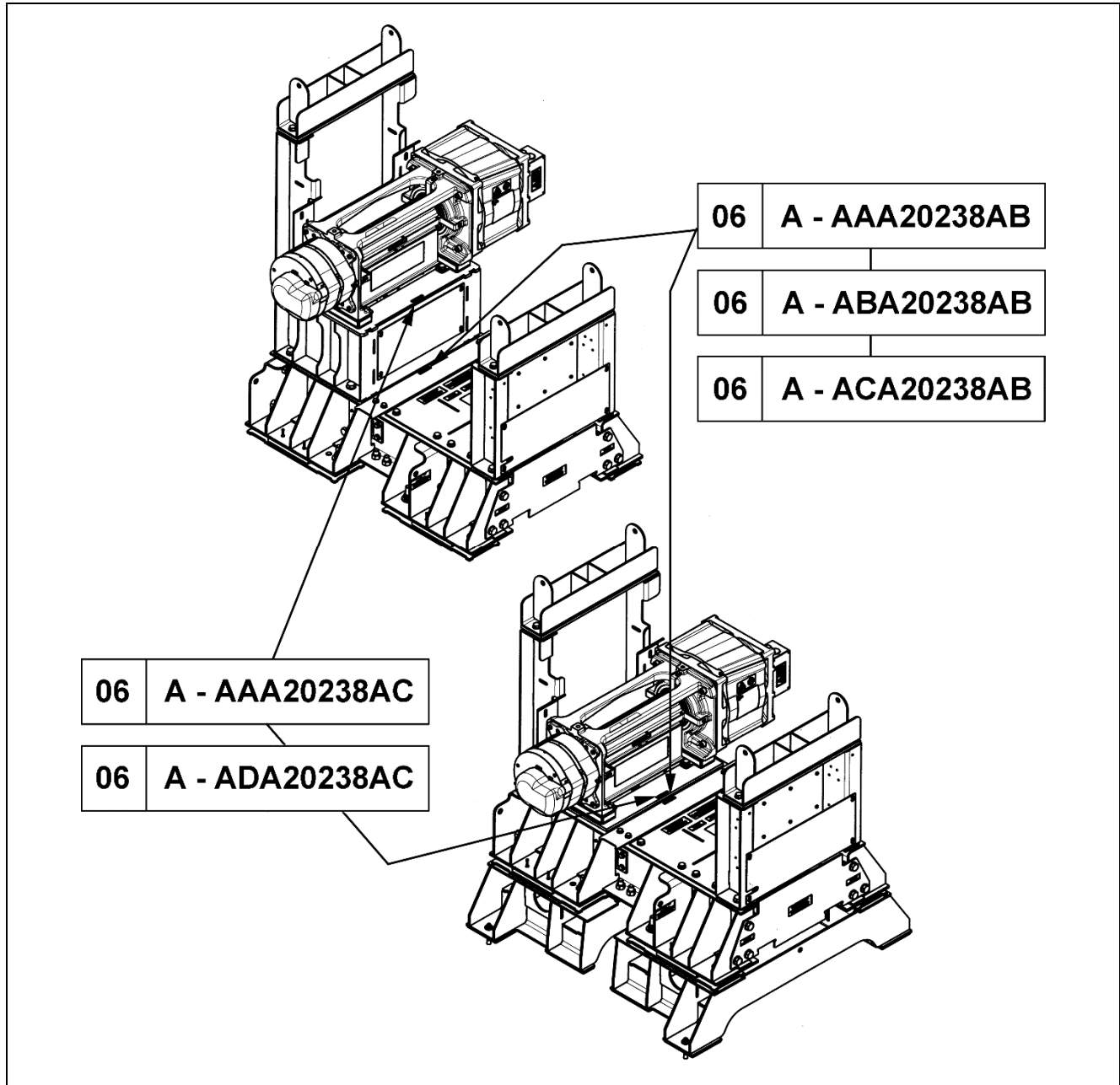


**Machine Room  
Machine Mounting  
Structure  
(Mini-Machine Room)**

**Spare Parts Leaflet  
06-AAA20238AC**

January 22, 2020 / Page 1 of 4



**OTIS**

This document does not contain any technical data subject to EAR or ITAR

**SERVICE ENGINEERING  
Otis Elevator Company  
Bloomfield, Connecticut USA**

Unpublished Work—© Otis Elevator Co.; 2020

**Leaflet Description**

This SPL lists the lowest replaceable units (LRUs) for the mini-machine room machine mounting structure.

**Leaflet Revisions**

<b>Date Revised</b>	<b>Subject Matter Expert</b>	<b>Reason for Revision</b>
September 21, 2011	Richard Blakelock	New SPL
October 19, 2011	Richard Blakelock	Corrected callouts on p.3
January 22, 2020	Gary Mendrala	Updated vintage information

**Related Drawings**

<b>Drawing No.</b>	<b>Title</b>	<b>Drawing No.</b>	<b>Title</b>
ABA20238AB	Assembly and Arrangement Bedplate for A. C. Gearless Machine	AAA20238AC	Assembly for Bedplate for A. C. Gearless Machine
ACA20238AB		ADA20238AC	
AAA20780C	Sheave Assembly	AAA20220BG	Optimized Gen2 5.2T Machine ASME Series
AAA20220BE	Optimized Gen2 4.1T and 5.0T Machine ASME Series	AAA20238W	Sheave Assembly
AAA20780AS	Sheave Assembly		

**Related Documents**

<b>Document ID</b>	<b>Title</b>
SPL 06-AAA20220AN	<i>Gen2® 5T AC Permanent Magnet Gearless Machine: ANSI-Compliant (Extended Duty &amp; Next Generation High Rise)</i>
SPL 06-AAA20220AS	<i>Gen2® 5T AC Gearless Machine: ANSI- and EN81-Compliant (regenerative drive)</i>
SPL 06-AAA20220BE	<i>Optimized Gen2 4.1T and 5.0T Machine ASME Series</i>
SPL 06-AAA20220BG	<i>Optimized Gen2 5.2T Machine ASME Series</i>
SPL 06-AAA20220AV	<i>AC Gearless Machine, 1.5 T &amp; 2.5 T (Regenerative)</i>

**Subject Matter Expert**

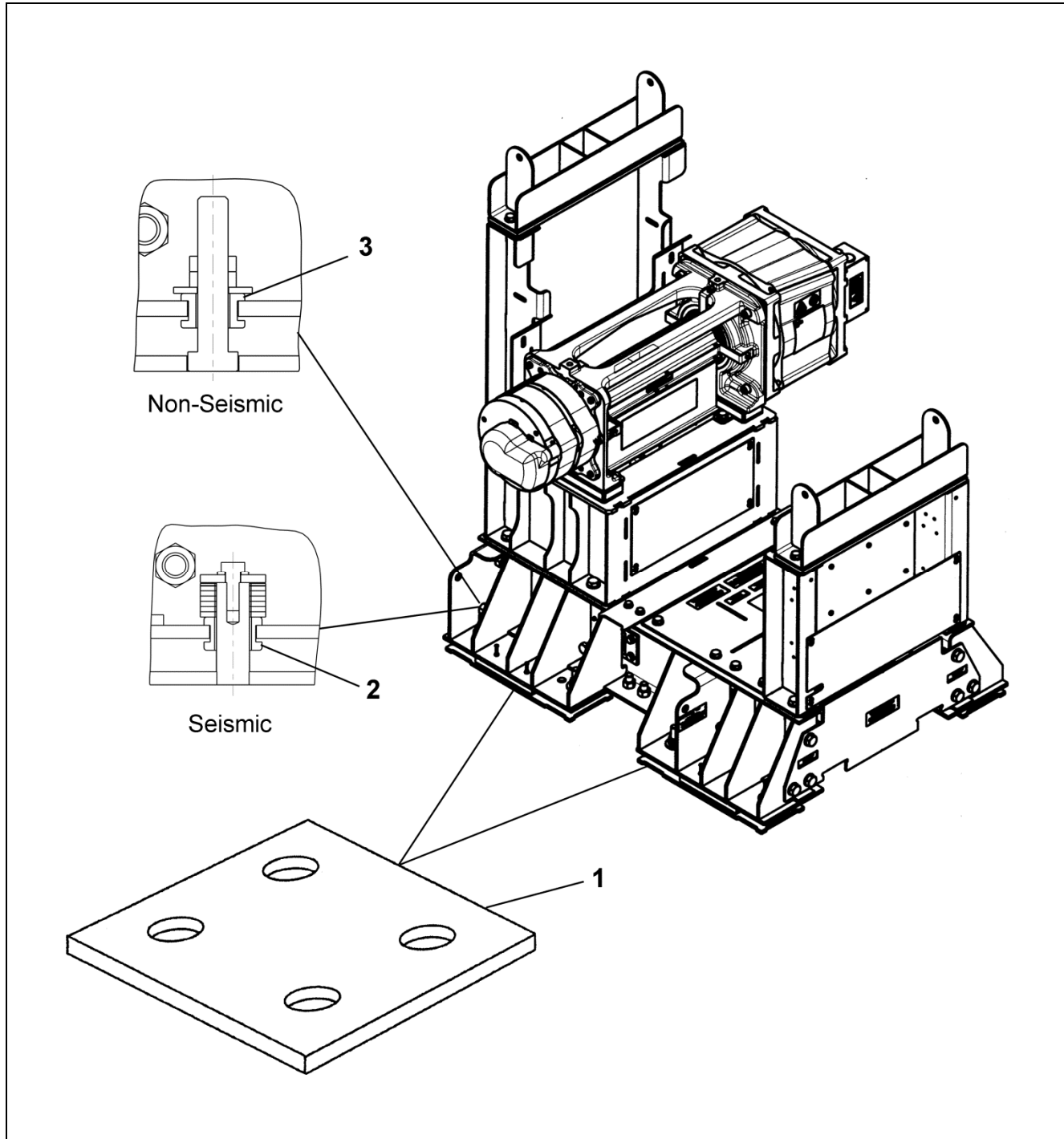
<b>Name</b>	<b>Department</b>
Gary Mendrala	OSC Service Engineering

**About Spare Parts Leaflets...**

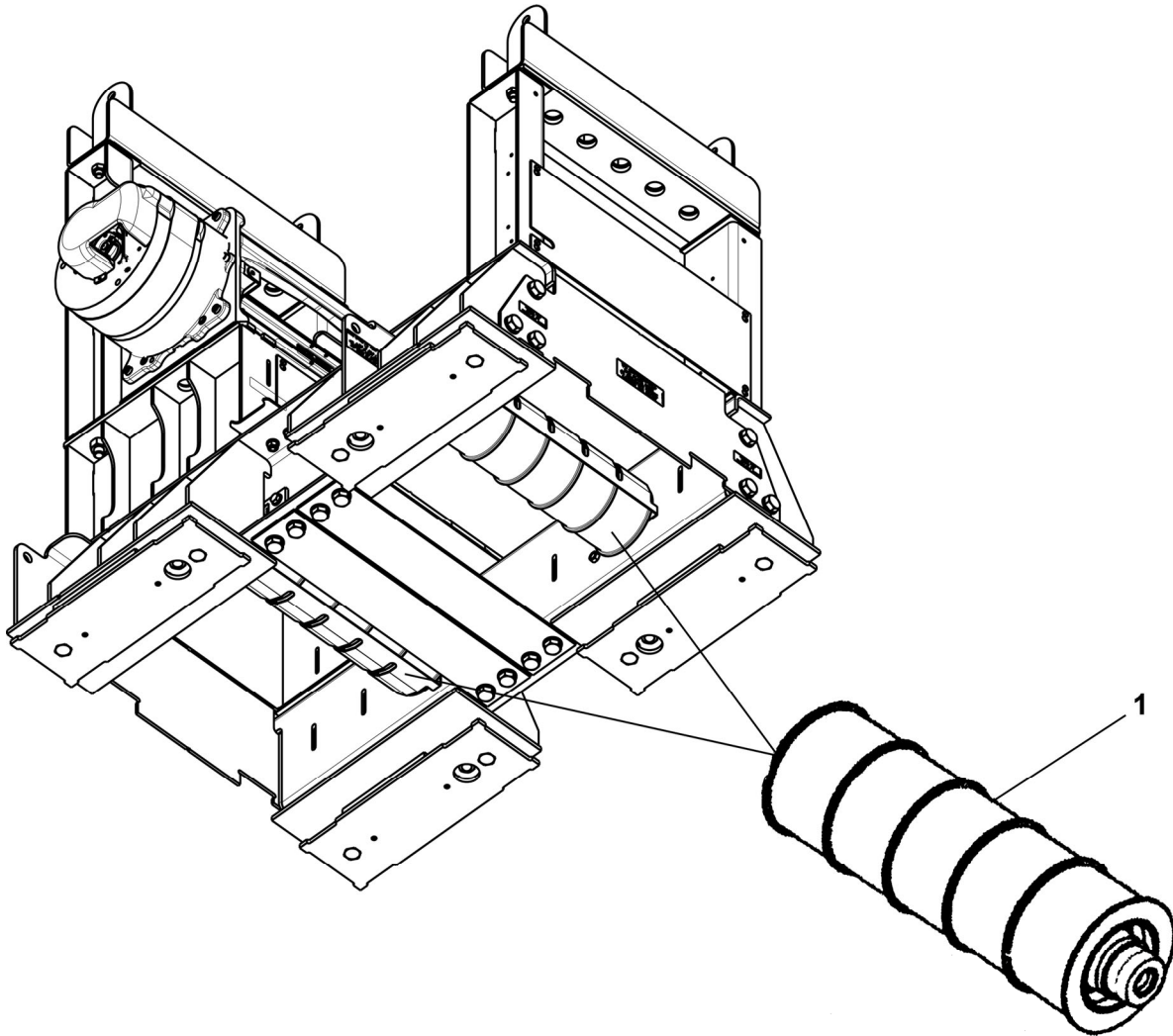
This document lists the lowest replaceable units (LRUs) for the standard version of the product. The LRUs are chosen by a team of Otis associates representing engineering and manufacturing.

While goal of this document is to make parts identification as easy as possible, the document cannot be all-inclusive. Elevator and escalator contracts classified as "special" or "custom" are not addressed here. For such contracts, please refer to specified information, the contract folder, TIPs, Field Education Articles, Construction Letters, etc. for further information.

If you have any suggestions about this document, please contact the subject matter expert listed on this page.



<b>AAA20238AC</b>		
<b>REF. No.</b>	<b>PART No.</b>	<b>DESCRIPTION</b>
1	AAA310VT1	Block, Sound Isolation, 6 x 3 in.
2	334H42	Bushing, Rubber, 1.75 in. $\varnothing$ , 1.0 in. Wide
3	334H44	Bushing, Rubber, 1.625 in. $\varnothing$ , 0.875 in. Wide



REF. No.	PART No.	DESCRIPTION
1	AAA20238AC AAA20780C5 AAA20780W4 AAA20780AS1	Assembly, Sheave