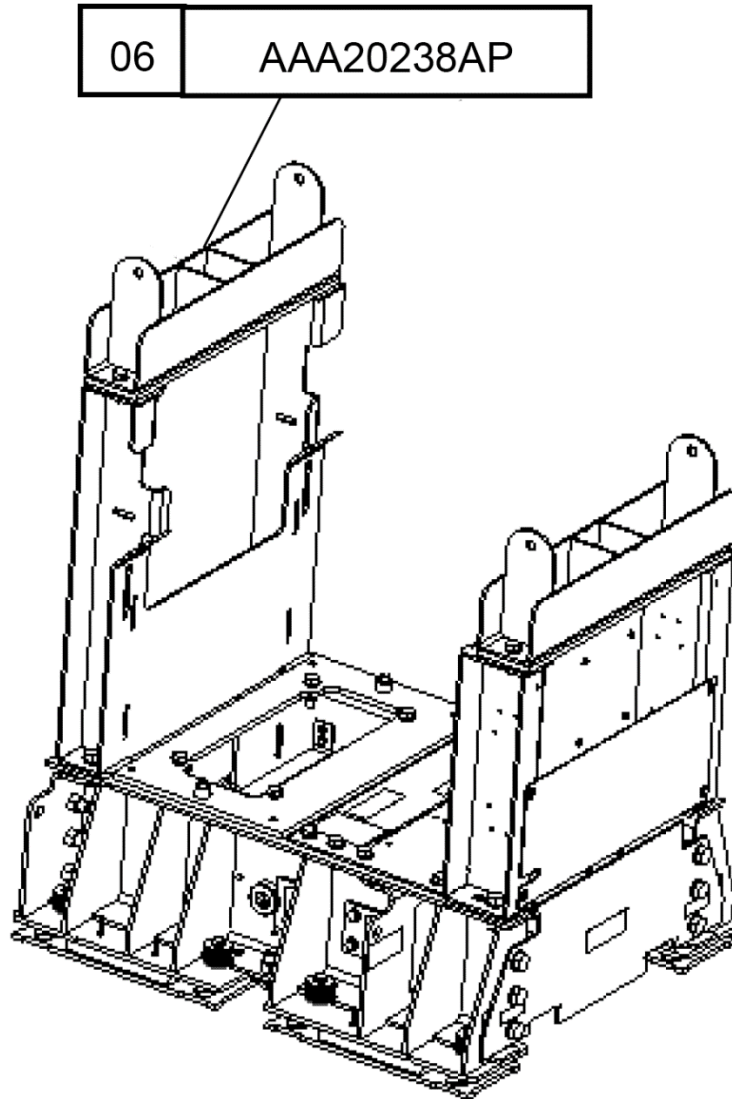


**G2M Machine Room
Gen2 Machine Bedplate
(Modernization)**

Spare Parts Leaflet

06-AAA20238AP

August 10, 2022 / Page 1 of 3



OTIS

This document does not contain any technical data subject to EAR or ITAR

**SERVICE ENGINEERING
Otis Elevator Company
Bloomfield, Connecticut USA**

Unpublished Work—© Otis Elevator Co.; 2022

Leaflet Description

The AAA20238AP Gen2 bedplate is used in the Gen2 Modernization system (G2M) for symmetrical counterweight layouts. The AAA20238AP assembly has been shipped without a vintage tag.

Leaflet Revisions

Date Revised	Subject Matter Expert	Reason for Revision
August 10, 2022	Christian Kaljulaid	New SPL

Related Drawings

Drawing No.	Title	Drawing No.	Title
AAA20238AP	Assembly and Arrangement Bedplate for A.C. Gearless Machine	TAA20220AS	A.C. Gearless Machine Gen2 4.1T
AAA20780W	Sheave Assembly	TAA20220AV	A.C. Gearless Machine Gen2 4.1-5-5.2T
AAA20780AS	Sheave Assembly	TAB20220AS	A.C. Gearless Machine Gen2 4.1T
334H	Bushing, Insulating	TAB20220AV	A.C. Gearless Machine Gen2 4.1-5-5.2T
AAA20220BE	Optimized Gen2 Machine 4.1T and 5T	AAA384AHP	Guard, Rope
AAA20220BG	Optimized Gen2 Machine 5.2T	AAA310VT	Block, Sound Isolation

Related Documents

Document ID	Title
SPL 06-AAA20220BE	<i>Optimized Gen2 4.1T and 5.0T Machine - ASME Series</i>
SPL 06-AAA20220BG	<i>Optimized Gen2 5.2T Machine ASME Series</i>
SPL 06-TAA20220AS	<i>Gearless Gen2 Machine 4.1T-C ANSI Series</i>
SPL 06-TAA20220AV	<i>Gearless Gen2 Machine 4.1 - 5 - 5.2 T ANSI Series</i>
SPL 11-AAA20650S	<i>64KN Terminations for Gen2® (LCR) 60 mm CSB</i>
SPL 11-AAA20650AK	<i>Termination for Gen2 (86 kn, 60 mm wide)</i>
TIP 10.0-14	<i>Gen2 Sheave Replacement</i>

Subject Matter Expert

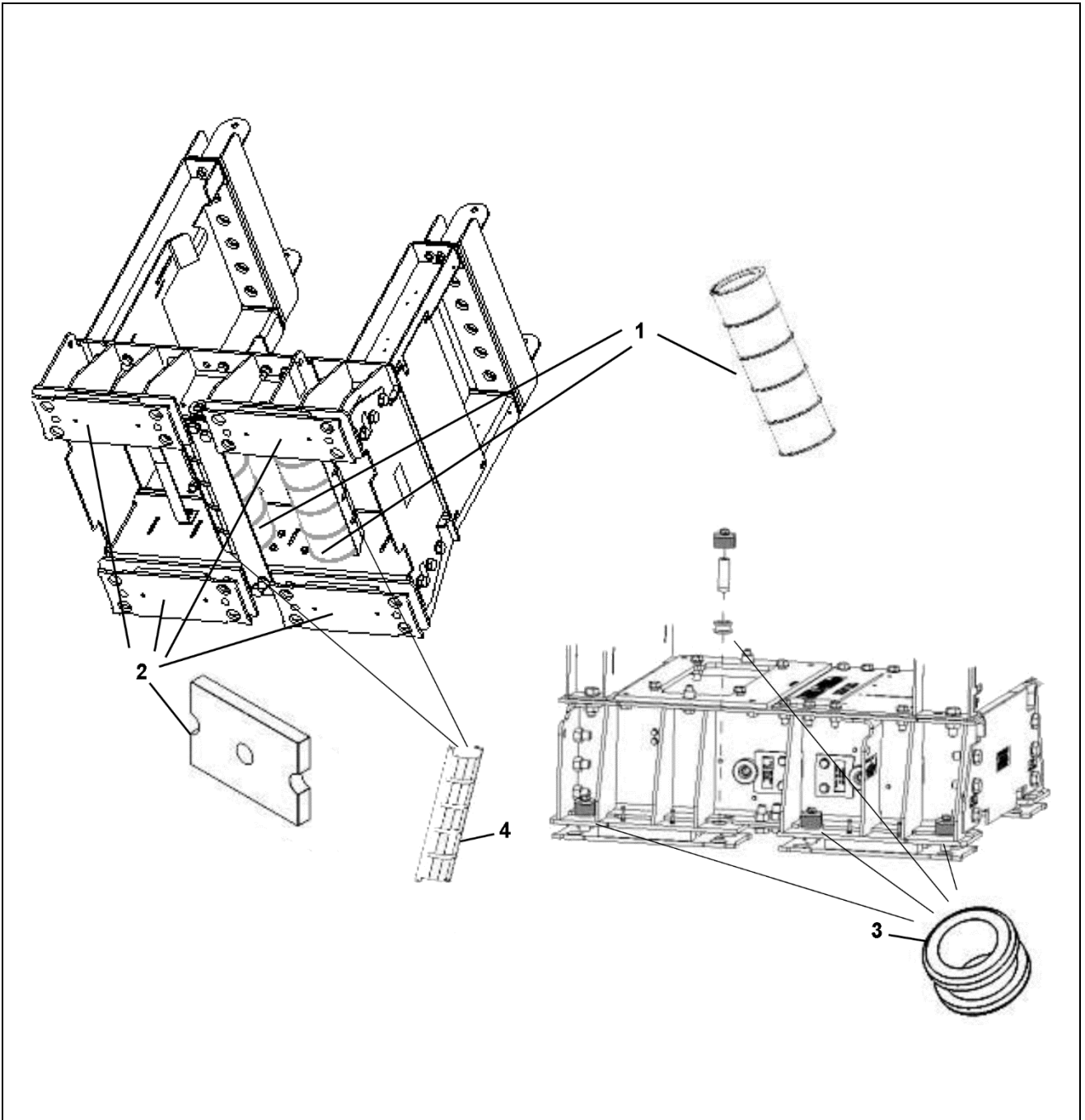
Name	Department
Christian Kaljulaid	Mod Mechanical Engineering

About Spare Parts Leaflets...

This document lists the lowest replaceable units (LRUs) for the standard version of the product. The LRUs are chosen by a team of Otis associates representing engineering and manufacturing.

While goal of this document is to make parts identification as easy as possible, the document cannot be all-inclusive. Elevator and escalator contracts classified as "special" or "custom" are not addressed here. For such contracts, please refer to specified information, the contract folder, TIPs, Field Education Articles, Construction Letters, etc. for further information.

If you have any suggestions about this document, please contact the subject matter expert listed on this page.



AAA20238AP		
REF. No.	PART No.	DESCRIPTION
1	AAA20780W4 AAA20780AS1	Assembly, Sheave
2	AAA310VT1	Block, Sound Isolation
3	334H42	Bushing, Insulating
4	AAA384AHP4	Guard, Rope