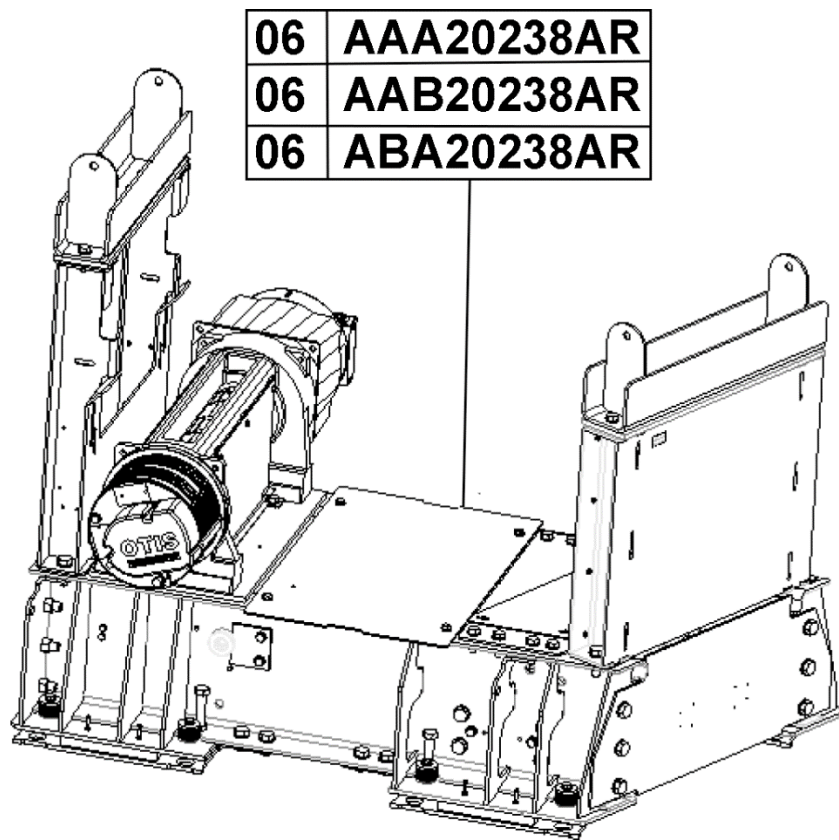


**G2M Machine Room  
Angled Gen2 Machine  
Bedplate  
(Modernization)**

**Spare Parts Leaflet**

**06-AAA20238AR**

**August 10, 2022 / Page 1 of 4**



**OTIS**

This document does not contain any technical data subject to EAR or ITAR

**SERVICE ENGINEERING**

**Otis Elevator Company**

**Bloomfield, Connecticut USA**

Unpublished Work—© Otis Elevator Co.; 2022

**Leaflet Description**

The ABA20238AR Angled Gen2 bedplate is used in the Angled Gen2 Modernization system (G2M) with asymmetrical counterweight layouts.

**Leaflet Revisions**

<b>Date Revised</b>	<b>Subject Matter Expert</b>	<b>Reason for Revision</b>
August 10, 2022	Christian Kaljulaid	New SPL

**Related Drawings**

<b>Drawing No.</b>	<b>Title</b>	<b>Drawing No.</b>	<b>Title</b>
ABA20238AR	Assembly and Arrangement Bedplate for A.C. Gearless Machine	TAB20220AS	A.C. Gearless Machine Gen2 4.1T
AAA2078AS	Sheave Assembly	TAB20220AV	A.C. Gearless Machine Gen2 4.1-5-5.2T
AAA20780AB	Sheave Assembly	334H	Bushing, Insulating
TAA20220AS	A.C. Gearless Machine Gen2 4.1T	AAA310VT	Block, Sound Isolation
TAA20220AV	A.C. Gearless Machine Gen2 4.1-5-5.2T	AAA384AHP	Guard, Rope

**Related Documents**

<b>Document ID</b>	<b>Title</b>
SPL 06-TAA20220AS	<i>Gearless Gen2 Machine 4.1T-C ANSI Series</i>
SPL 06-TAA20220AV	<i>Gearless Gen2 Machine 4.1 – 5 – 5.2 T ANSI Series</i>
SPL 11-AAA20650S	<i>64KN Terminations for Gen2® (LCR) 60 mm CSB</i>
SPL 11-AAA20650AK	<i>Termination for Gen2 (86 kn, 60 mm wide)</i>
TIP 10.0-14	<i>Gen2 Sheave Replacement</i>

**Subject Matter Expert**

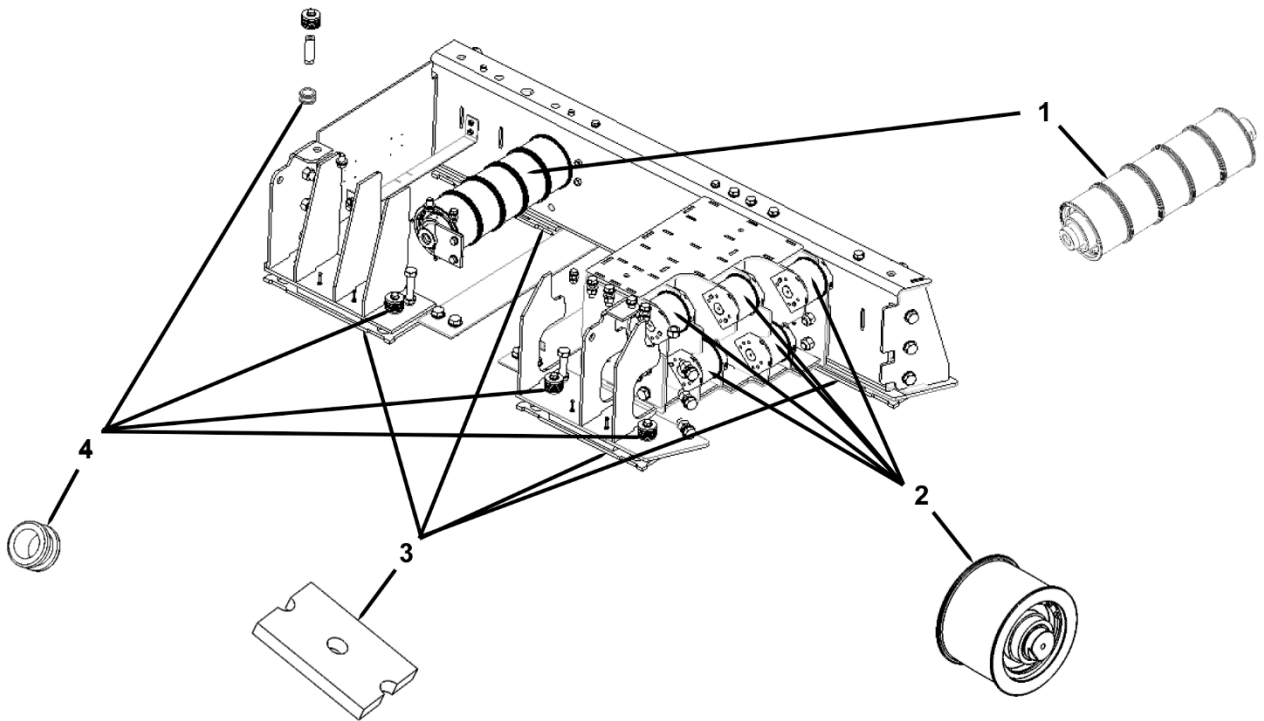
<b>Name</b>	<b>Department</b>
Christian Kaljulaid	Mod Mechanical Engineering

**About Spare Parts Leaflets...**

This document lists the lowest replaceable units (LRUs) for the standard version of the product. The LRUs are chosen by a team of Otis associates representing engineering and manufacturing.

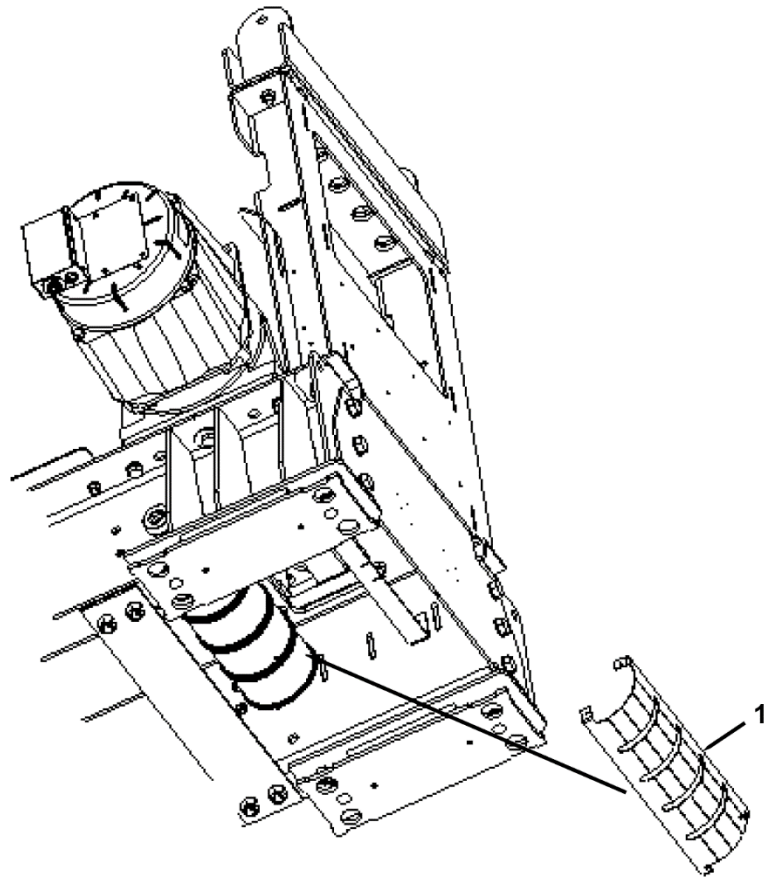
While goal of this document is to make parts identification as easy as possible, the document cannot be all-inclusive. Elevator and escalator contracts classified as “special” or “custom” are not addressed here. For such contracts, please refer to specified information, the contract folder, TIPs, Field Education Articles, Construction Letters, etc. for further information.

If you have any suggestions about this document, please contact the subject matter expert listed on this page.



**AAA20238AR**  
**AAB20238AR**  
**ABA20238AR**

REF. No.	PART No.	DESCRIPTION	REMARKS
1	AAA20780AS1	Assembly, Sheave	Car side deflector sheave
2	AAA20780AB3	Assembly, Sheave	Individual Counterweight side deflector sheaves
3	AAA310VT1	Block, Sound Isolation	---
4	334H42	Bushing, Insulating	---



**AAA20238AR**  
**AAB20238AR**  
**ABA20238AR**

<b>REF. No.</b>	<b>PART No.</b>	<b>DESCRIPTION</b>
1	AAA384AHP4	Guard, Belt