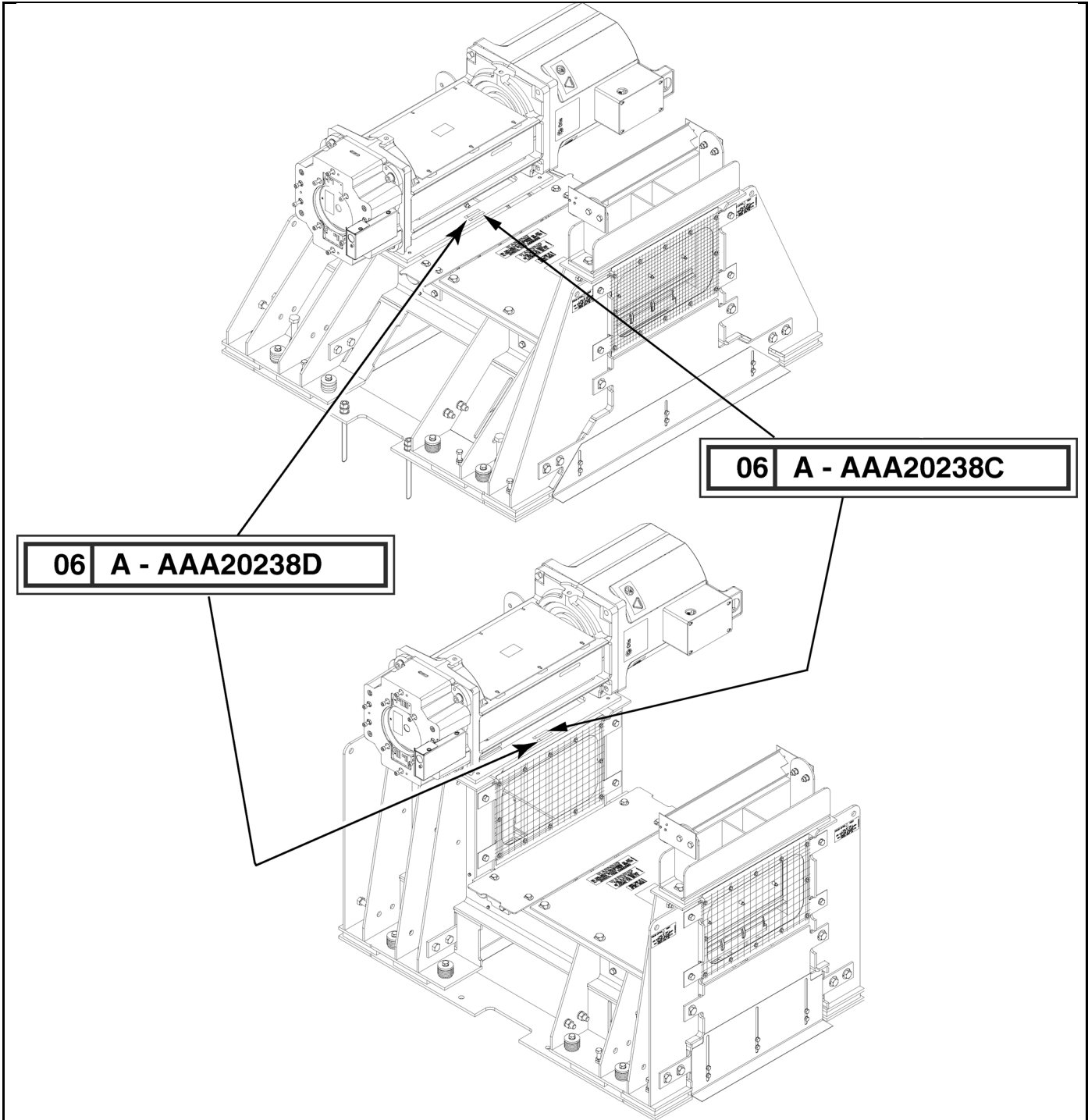


Machine Room
Machine Mounting Structure
(Mini-Machine Room)

Spare Parts Leaflet
06-AAA20238D
September 21, 2011 / Page 1 of 5



Unpublished Work—© Otis Elevator Co.; 2011



Safety First!

SERVICE ENGINEERING
Otis Elevator Company
Bloomfield, Connecticut USA

Leaflet Description

The SPL lists the lowest replaceable units (LRUs) for the mini-machine room machine mounting structure.

Leaflet Revisions

Date Revised	Subject Matter Expert	Reason for Revision
December 6, 2004	Paula C. Bryant	New SPL
July 6, 2011	Val Sheynkman	Updated parts information and the illustration on p. 4; Removed field installation notes on p. 4.
September 21, 2011	Kiron Bhaskar	Added p/n AAA20780W4 and updated illustration on p. 4

Related Drawings

Drawing No.	Title	Drawing No.	Title
AAA20238D	Assembly and Arrangement Bedplate for A.C. Gearless Machine	AAA24750G	Car Slack Rope Device
AAA20780C	Sheave Assembly	AAA20238C	Assembly for Bedplate for A.C. Gearless Machine
AAA20780W	Sheave Assembly	---	---

Related Documents

Document ID	Title
---	---

Subject Matter Expert

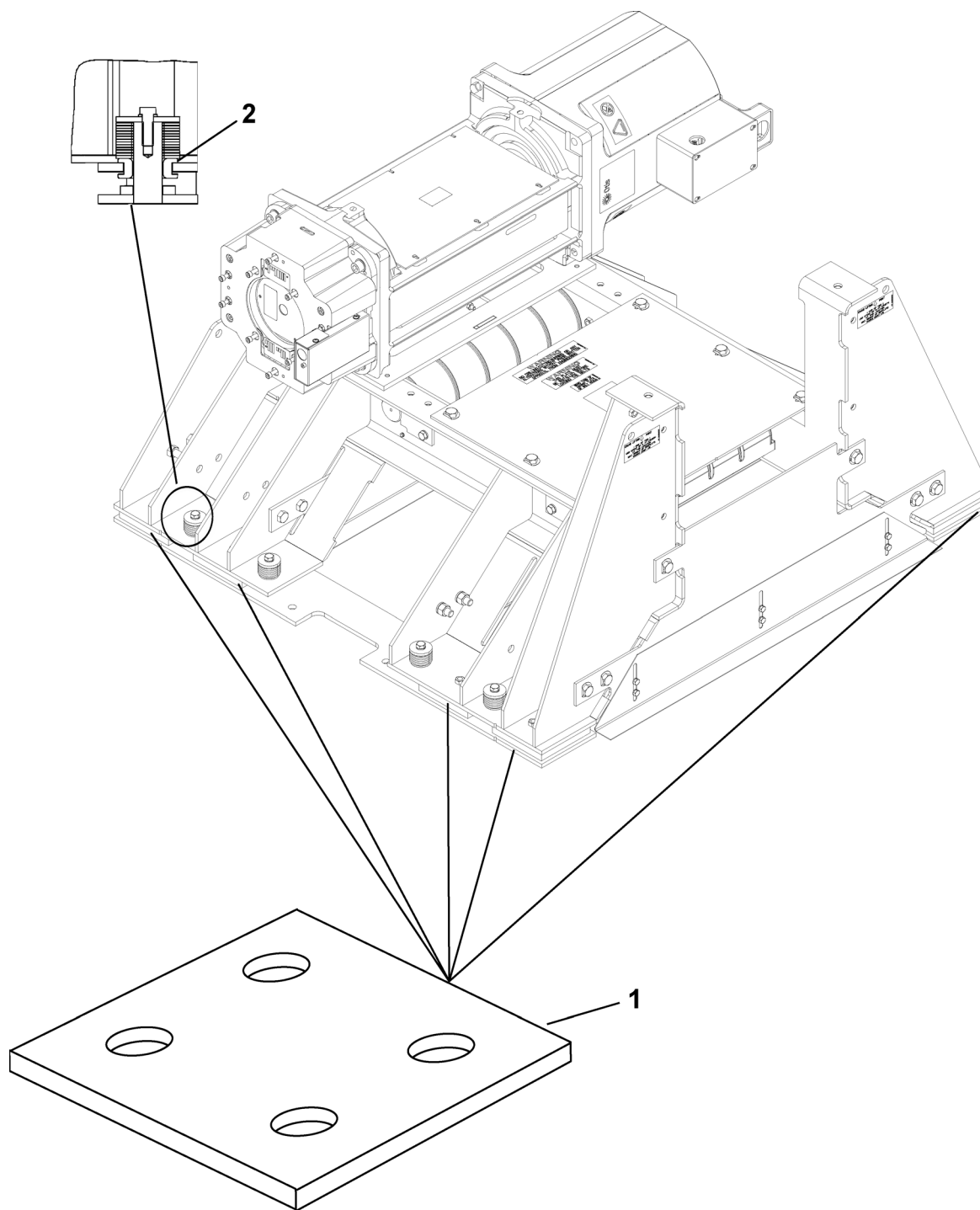
Name	Department
Val Sheynkman	OSC Service Engineering

About Spare Parts Leaflets...

This document lists the lowest replaceable units (LRUs) for the standard version of the product. The LRUs are chosen by a team of Otis associates representing engineering and manufacturing.

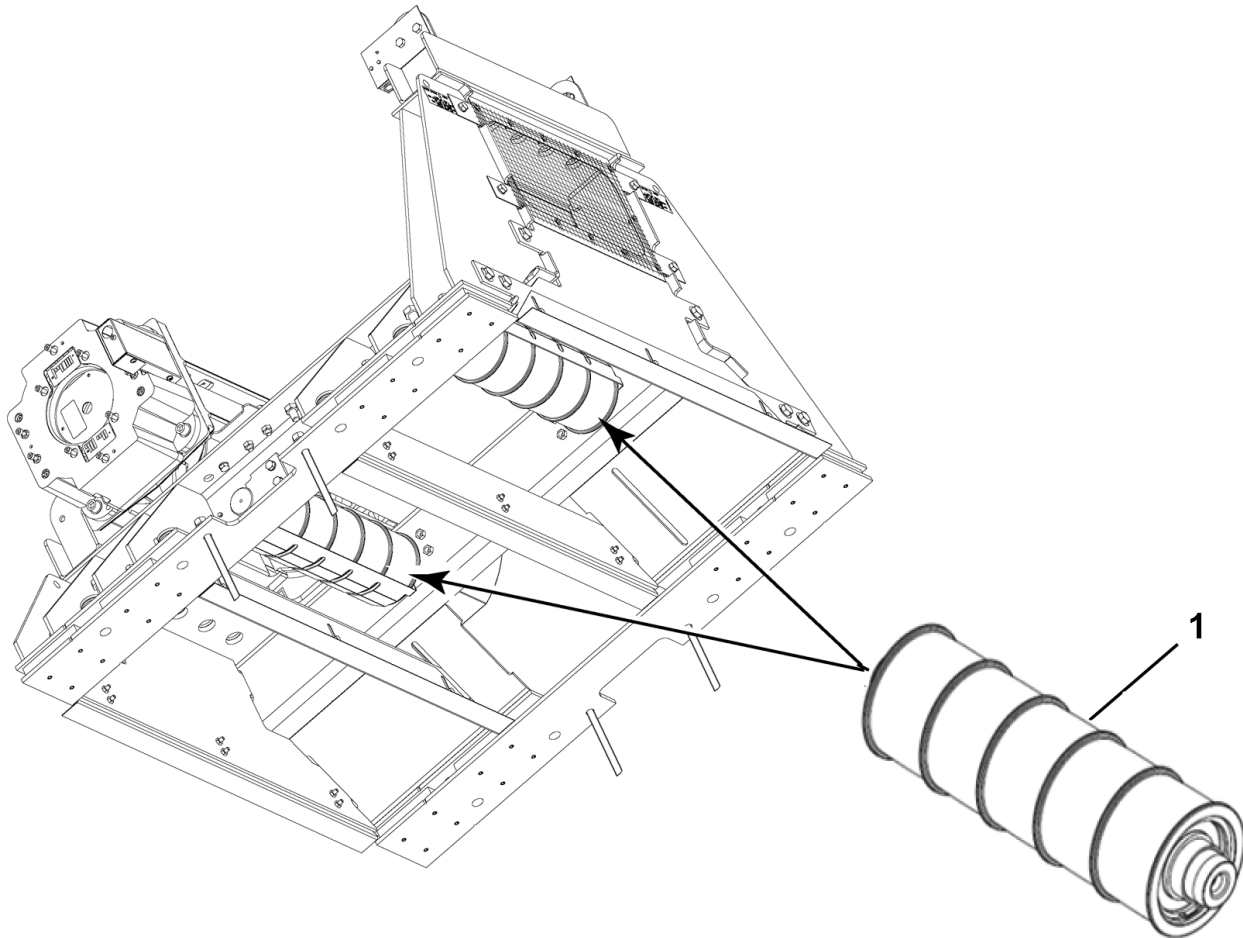
While goal of this document is to make parts identification as easy as possible, the document cannot be all-inclusive. Elevator and escalator contracts classified as "special" or "custom" are not addressed here. For such contracts, please refer to specified information, the contract folder, TIPs, Field Education Articles, Construction Letters, etc. for further information.

If you have any suggestions about this document, please contact the subject matter expert listed on this page.



AAA20238D		
REF. No.	PART No.	DESCRIPTION
1	310BE1	Block, Sound Isolation, 6 x 3 in.
2	334H42	Bushing, Rubber, 1.75 in. \varnothing , 1.0 in. Wide

Sheave Assembly

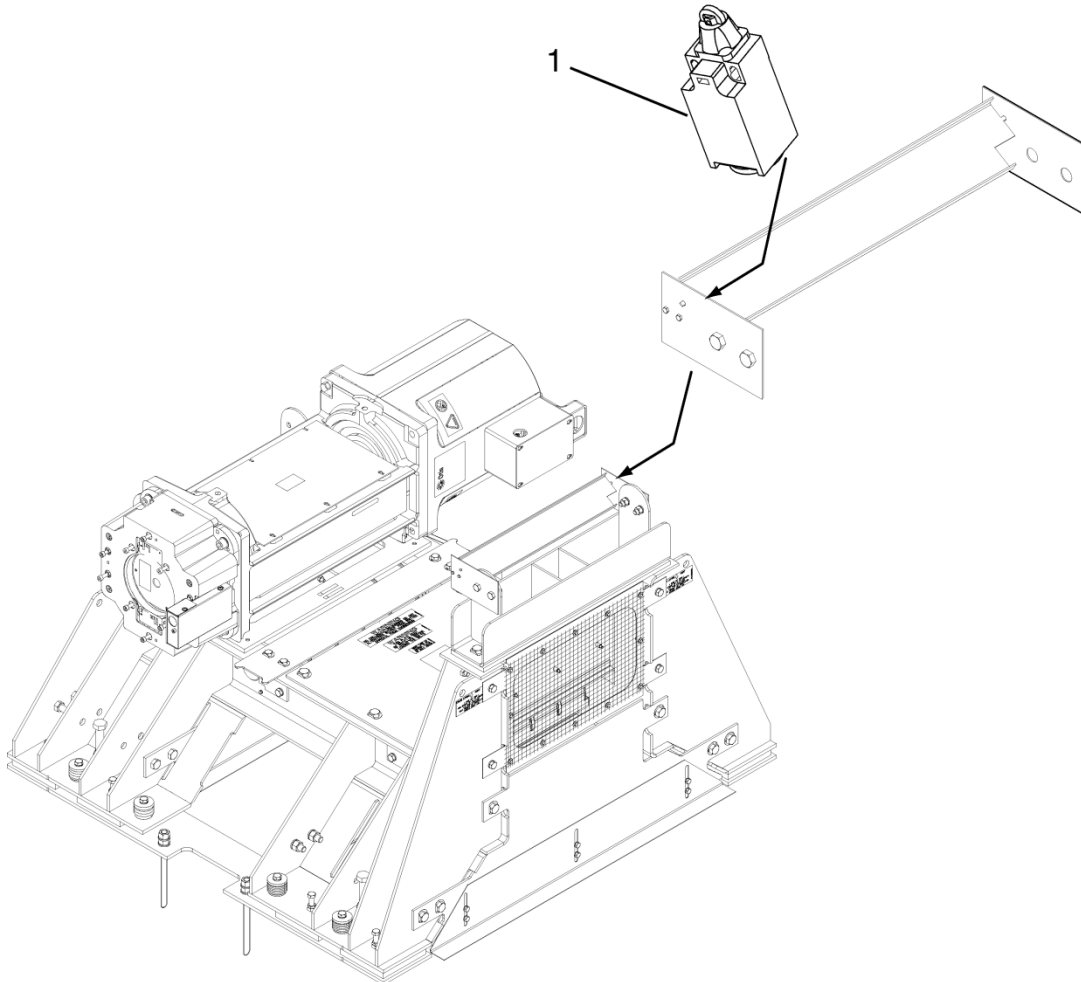


AAA20238D		
REF. No.	PART No.	DESCRIPTION
1	AAA20780C1 AAA20780C2 AAA20780C5 AAA20780W4	Assembly, Sheave
*	AAA349C1	Compound, Anti-Fretting

* Part not shown.

Slack Rope Device

06-AAA20238D



REF. No.	PART No.	DESCRIPTION
1	AAA661D5	Switch (slack rope)