

**Machine Bedplate  
for Gen2 L**

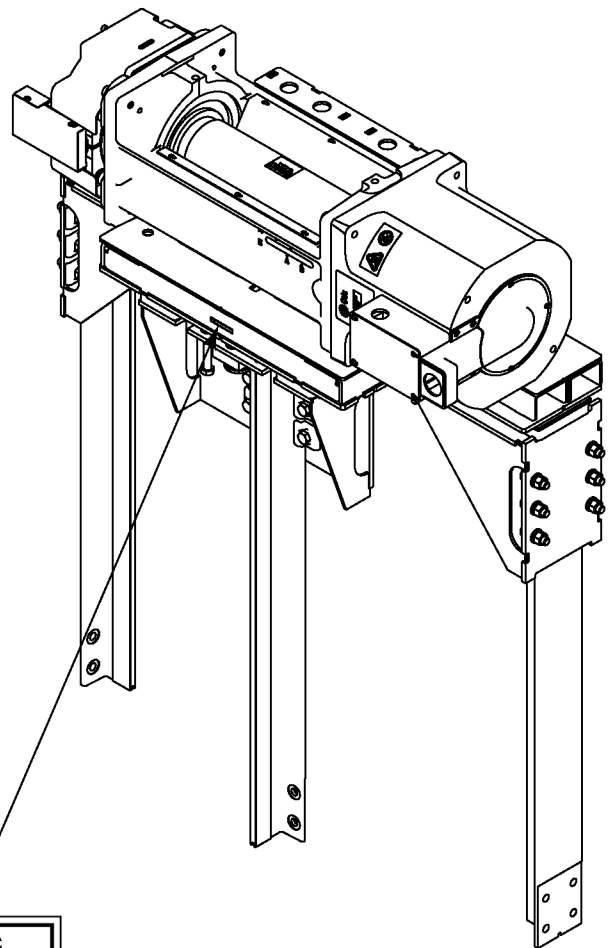
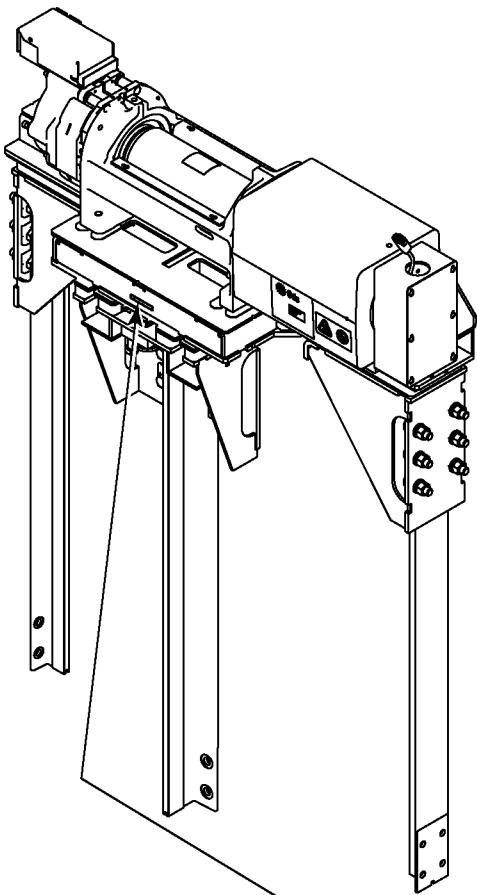
**Spare Parts Leaflet**

**06-AAA20238G**

**April 23, 2009 / Page 1 of 4**

**2.5T Machine  
Bedplate**

**5T Machine  
Bedplate**



**06 | A - AAA20238G**

Unpublished Work—© Otis Elevator Co.; 2009



**Safety First!**

**SERVICE ENGINEERING**

**Otis Elevator Company**

**Bloomfield, Connecticut USA**

**Leaflet Description**

This leaflet provides spare parts information for Gen2 L machine bedplate.

**Leaflet Revisions**

<b>Date Revised</b>	<b>Subject Matter Expert</b>	<b>Reason for Revision</b>
April 23, 2009	Val Sheynkman	New SPL

**Related Drawings**

<b>Drawing No.</b>	<b>Title</b>	<b>Drawing No.</b>	<b>Title</b>
AAA20238G	Assembly and Arrangement Bedplate for A.C. Gearless Machine		

**Related Documents**

<b>Document ID</b>	<b>Title</b>
SPL 06-AAA20220AV	Machine, A.C. Gearless (2.5T)
SPL 06-AAA20220AS	Machine, A.C. Gearless (5T)
SPL 40-AAA29000AK	Gen2 L System Leaflet

**Subject Matter Expert**

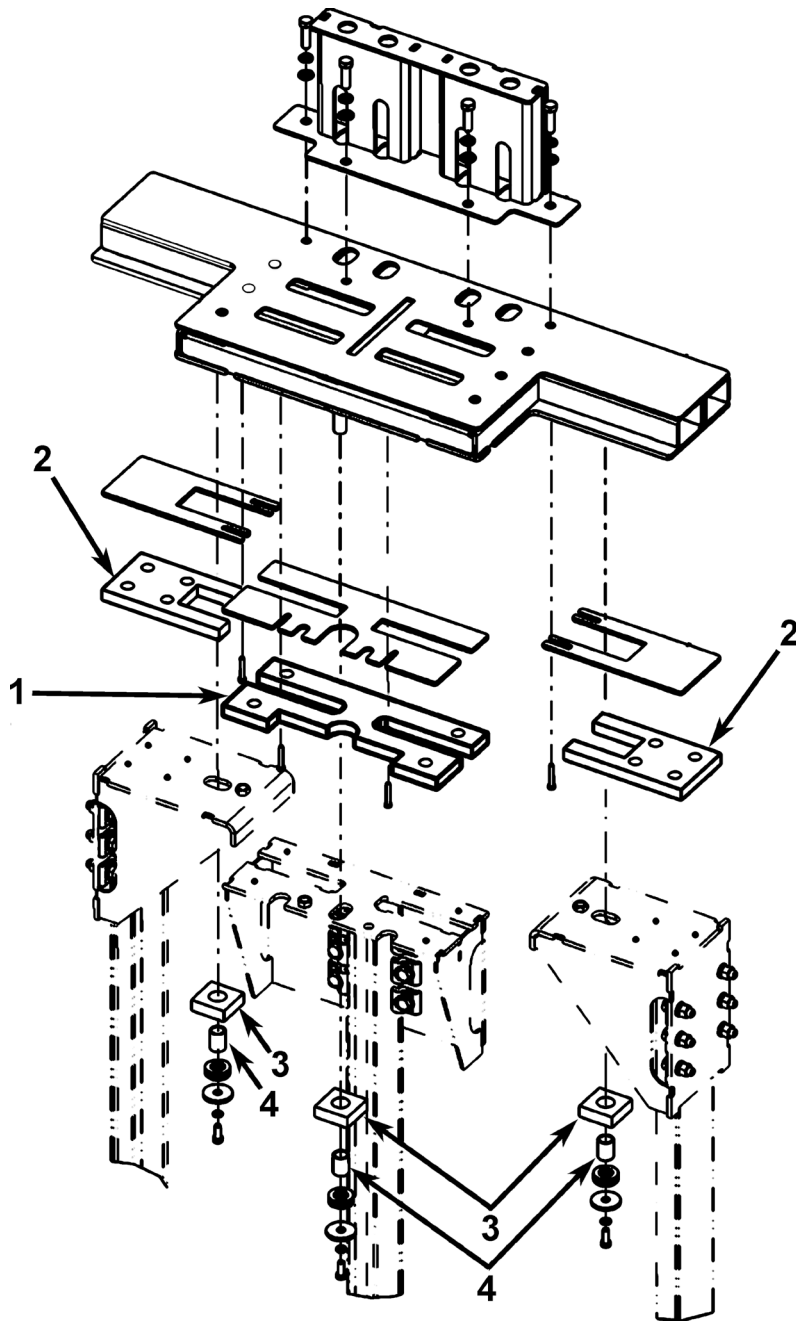
<b>Name</b>	<b>Department</b>
Val Sheynkman	OSC Service Engineering

**About Spare Parts Leaflets...**

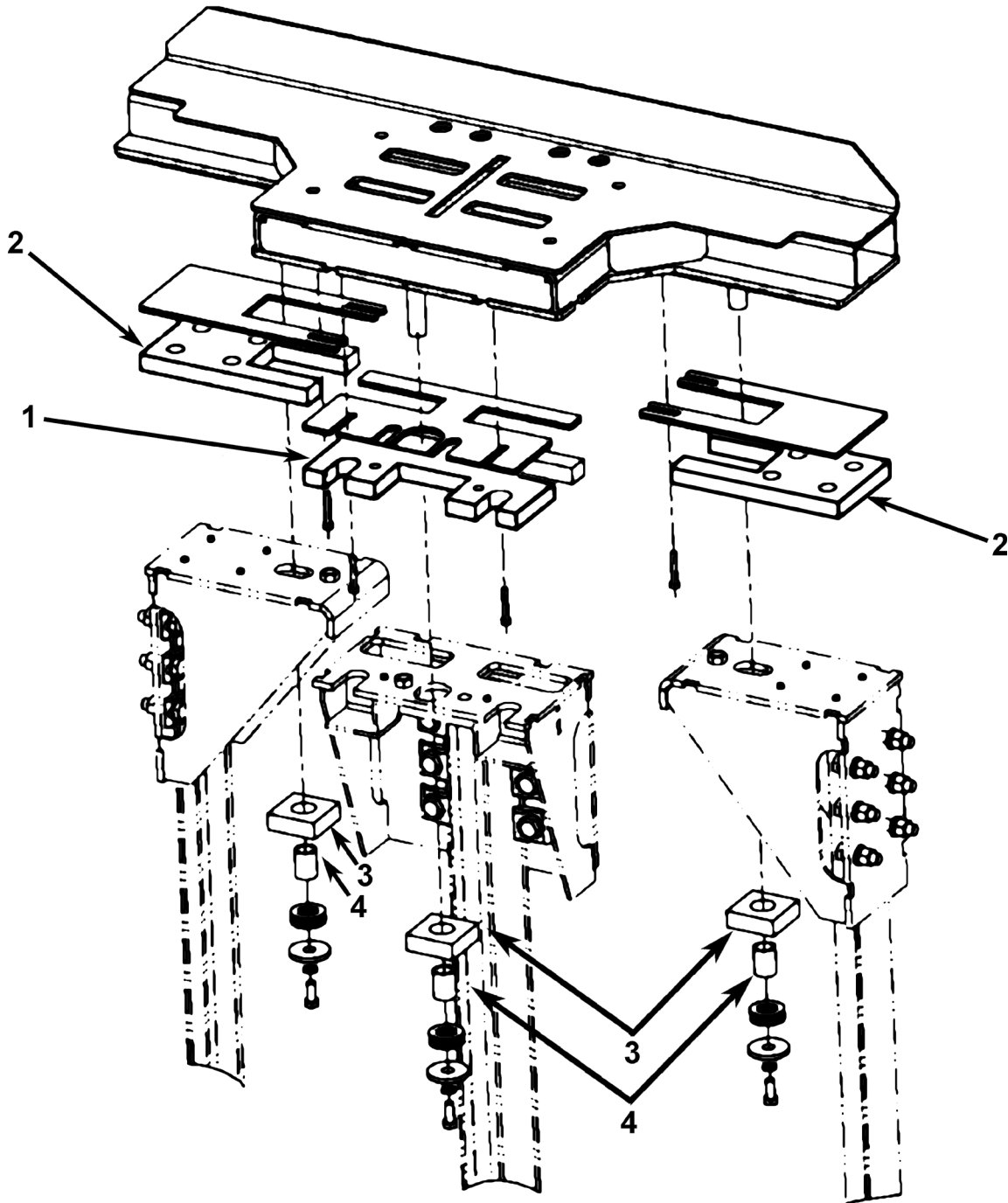
This document lists the lowest replaceable units (LRUs) for the standard version of the product. The LRUs are chosen by a team of Otis associates representing engineering and manufacturing.

While goal of this document is to make parts identification as easy as possible, the document cannot be all-inclusive. Elevator and escalator contracts classified as "special" or "custom" are not addressed here. For such contracts, please refer to specified information, the contract folder, TIPs, Field Education Articles, Construction Letters, etc. for further information.

If you have any suggestions about this document, please contact the subject matter expert listed on this page.



AAA20238G		
REF. No.	PART No.	DESCRIPTION
1	AAA310VH1	Block, Isolation (for car rail with 5T machine)
2	AAA310VH2	Block, Isolation (for counterweight rails)
3	310JJ6	Block (sound isolation)
4	137AL17	Tubing



AAA20238G		
REF. No.	PART No.	DESCRIPTION
1	AAA310VH3	Block, Isolation (for car rail with 2.5T machine)
2	AAA310VH2	Block, Isolation (for counterweight rails)
3	310JJ6	Block (sound isolation)
4	137AL17	Tubing