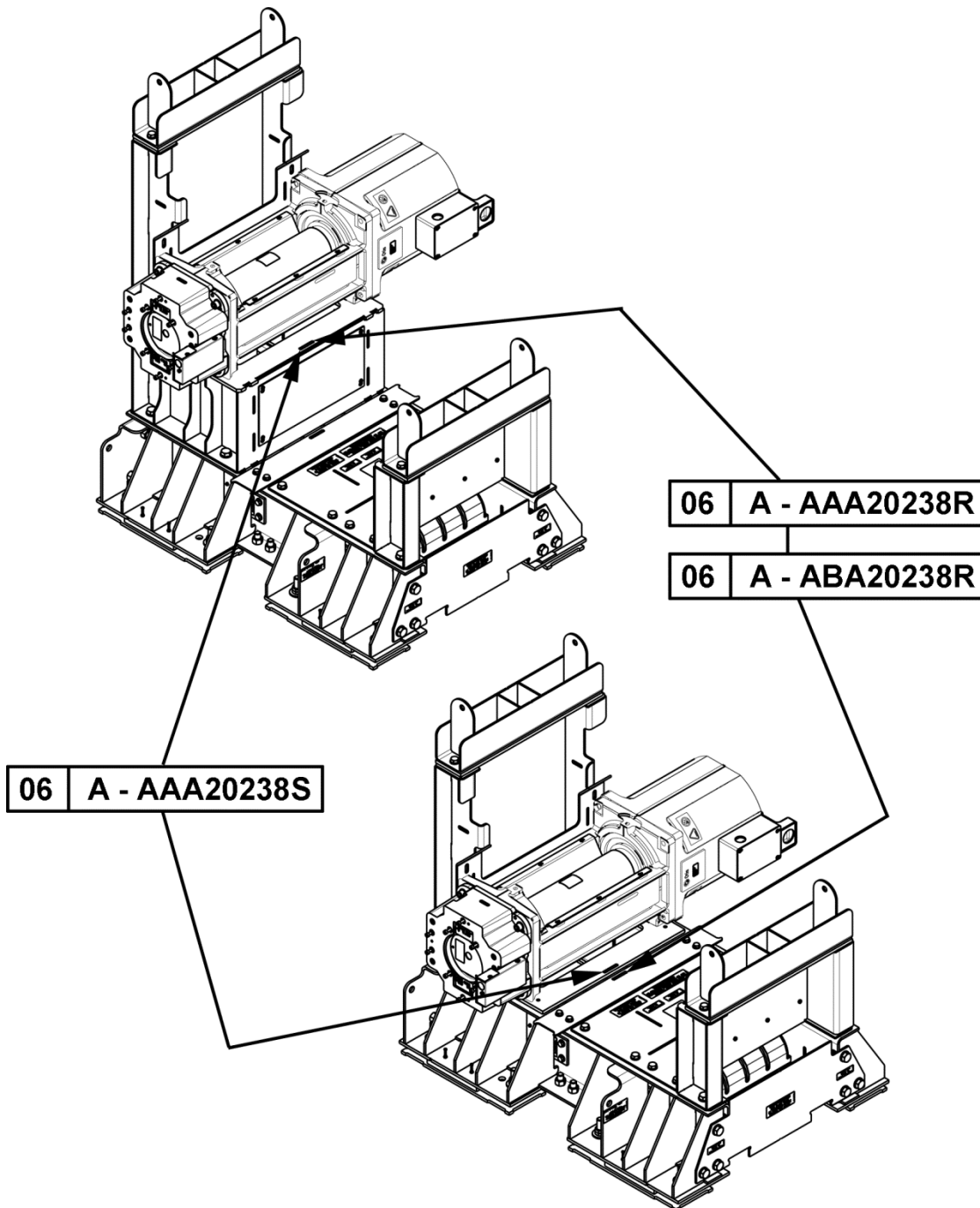


**Machine Room**  
**Machine Mounting Structure**  
(Mini-Machine Room)

**Spare Parts Leaflet**

**06-AAA20238S**

**October 19, 2011 / Page 1 of 4**



Unpublished Work—© Otis Elevator Co.; 2011

**OTIS**

**Safety First!**

**SERVICE ENGINEERING**  
Otis Elevator Company  
Bloomfield, Connecticut USA

**Leaflet Description**

The SPL lists the lowest replaceable units (LRUs) for the mini-machine room machine mounting structure.

**Leaflet Revisions**

<b>Date Revised</b>	<b>Subject Matter Expert</b>	<b>Reason for Revision</b>
October 19, 2011	Richard Blakelock	New SPL

**Related Drawings**

<b>Drawing No.</b>	<b>Title</b>	<b>Drawing No.</b>	<b>Title</b>
AAA20238S	Assembly and Arrangement Bedplate for A.C. Gearless Machine	AAA20238R	Assembly for Bedplate for A.C. Gearless Machine
AAA20780C	Sheave Assembly	AAA20220AN	Gen2® 5T AC Permanent Magnet Gearless Machine: ANSI-Compliant (Extended Duty & Next Generation High Rise)
AAA20780W	Sheave Assembly	AAA20220AS	Gen2® 5T AC Gearless Machine: ANSI- and EN81-Compliant (regenerative drive)

**Related Documents**

<b>Document ID</b>	<b>Title</b>
SPL 06-AAA20220AN	<i>Gen2® 5T AC Permanent Magnet Gearless Machine: ANSI-Compliant (Extended Duty &amp; Next Generation High Rise)</i>
SPL 06-AAA20220AS	<i>Gen2® 5T AC Gearless Machine: ANSI- and EN81-Compliant (regenerative drive)</i>
SPL 06-AAA20238R	<i>Bedplate Assembly for AC Gearless Machines</i>

**Subject Matter Expert**

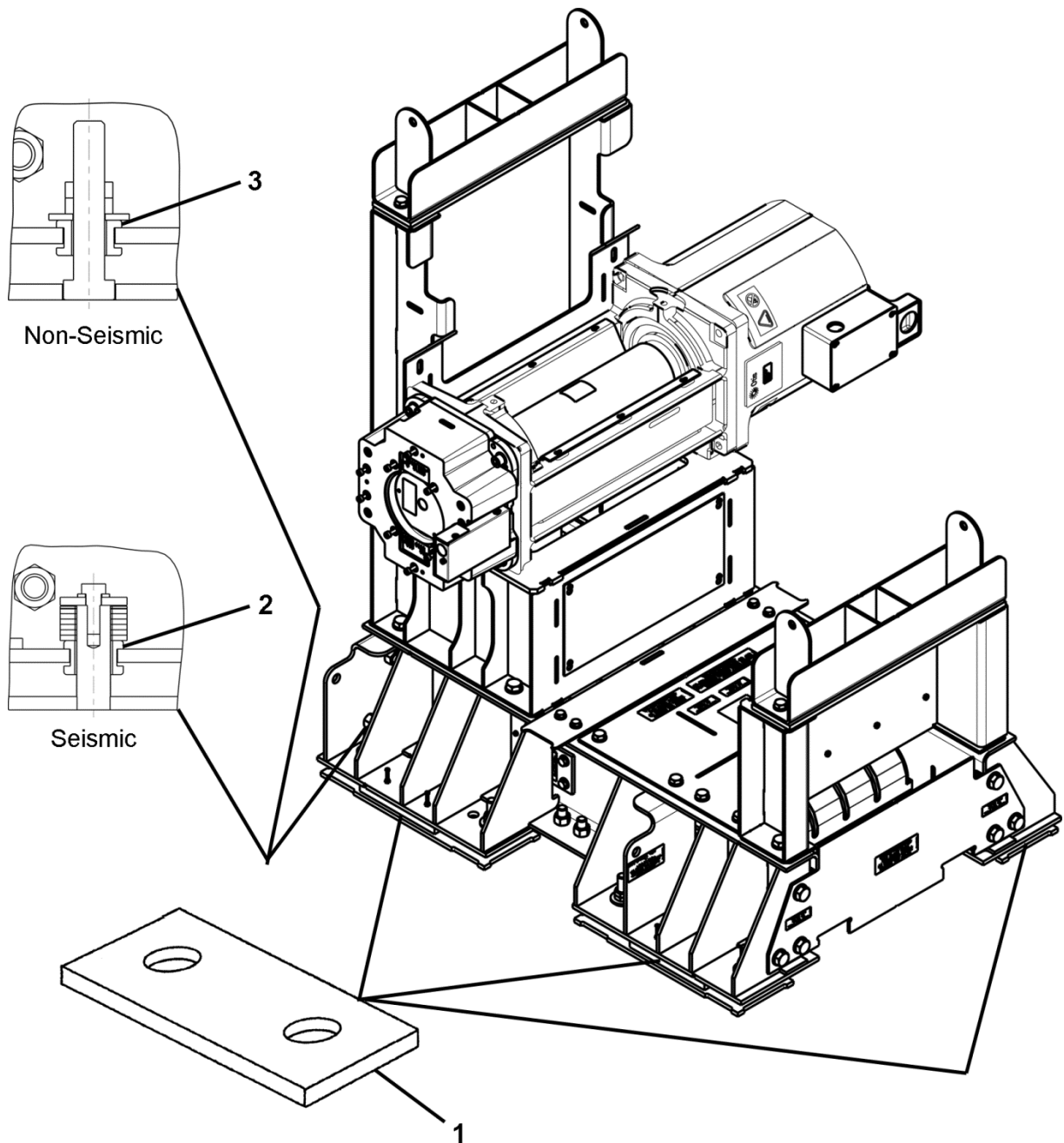
<b>Name</b>	<b>Department</b>
Val Sheynkman	OSC Service Engineering

**About Spare Parts Leaflets...**

This document lists the lowest replaceable units (LRUs) for the standard version of the product. The LRUs are chosen by a team of Otis associates representing engineering and manufacturing.

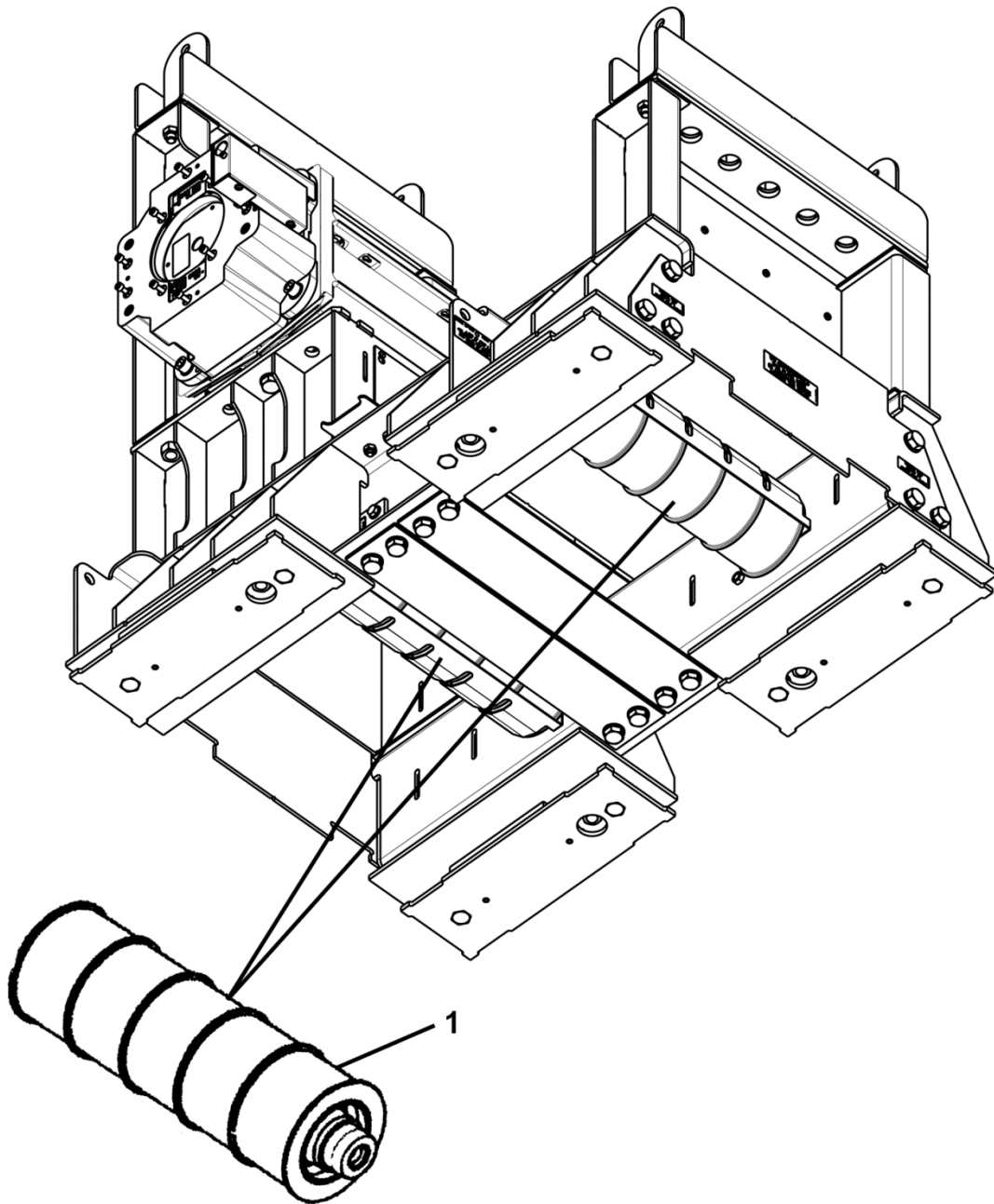
While goal of this document is to make parts identification as easy as possible, the document cannot be all-inclusive. Elevator and escalator contracts classified as “special” or “custom” are not addressed here. For such contracts, please refer to specified information, the contract folder, TIPs, Field Education Articles, Construction Letters, etc. for further information.

If you have any suggestions about this document, please contact the subject matter expert listed on this page.



AAA20238S		
REF. No.	PART No.	DESCRIPTION
1	AAA310VT1	Block, Sound Isolation, 6 x 3 in.
2	334H42	Bushing, Rubber, 1.75 in. $\varnothing$ , 1.0 in. Wide
3	334H44	Bushing, Rubber, 1.625 in., Dia 0.875 in. Wide

**Sheave Assembly**



<b>AAA20238S</b>		
<b>REF. No.</b>	<b>PART No.</b>	<b>DESCRIPTION</b>
1	AAA20780C2 AAA20780C5 AAA20780W4	Assembly, Sheave
*	AAA349C1	Compound, Anti-Fretting

\* Part not shown.