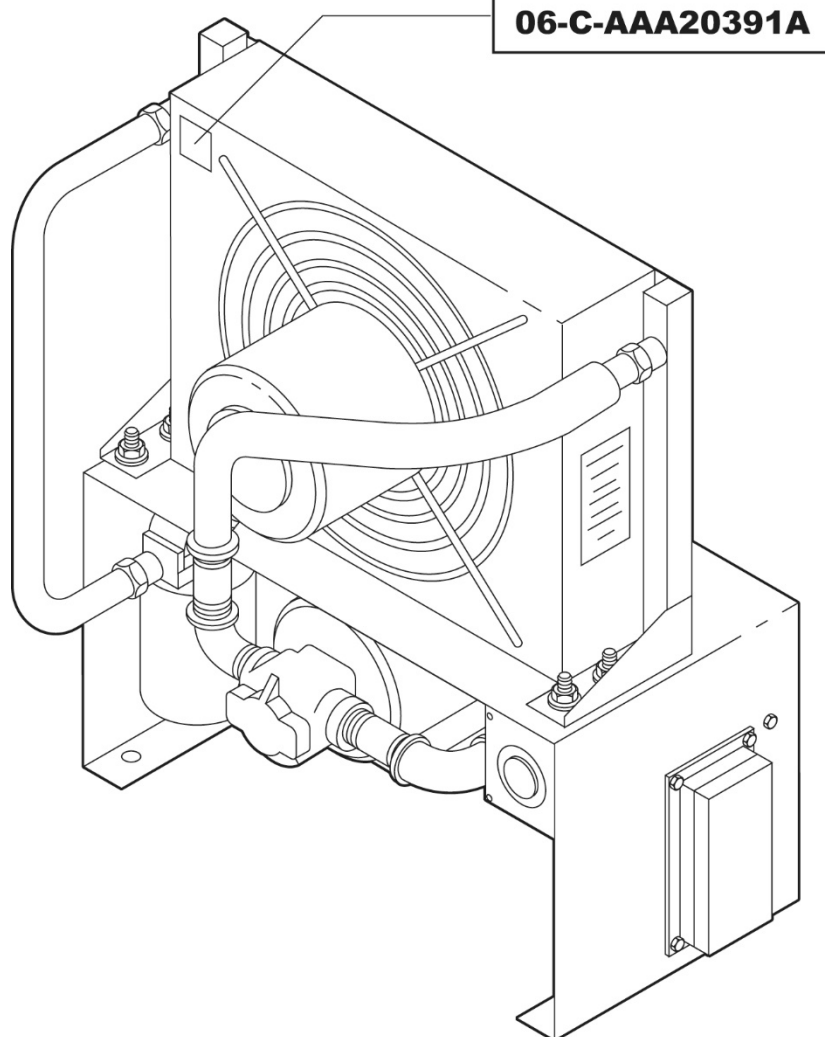


Hydraulic Oil Cooler Assembly

Spare Parts Leaflet

06-AAA20391A

November 15, 2023 / Page 1 of 5



OTIS

This document does not contain any
technical data subject to EAR or ITAR

SERVICE ENGINEERING

Otis Elevator Company

Bloomfield, Connecticut USA

Unpublished Work—© Otis Elevator Co.; 2023

Leaflet Description

This leaflet provides spare parts information for type AAA20391A hydraulic oil cooler assembly.

Leaflet Revisions

Date Revised	Subject Matter Expert	Reason for Revision
August 1, 2001	Troy Chicoine	New leaflet
November 15, 2023	Tom Charney	Added p/n MEI-15527.

Related Drawings

Drawing No.	Title	Drawing No.	Title
AAA20391A	Oil Cooler Assembly		

Related Documents

Document ID	Title

Subject Matter Expert

Name	Department
Tom Charney	OSC Service Engineering

About Spare Parts Leaflets...

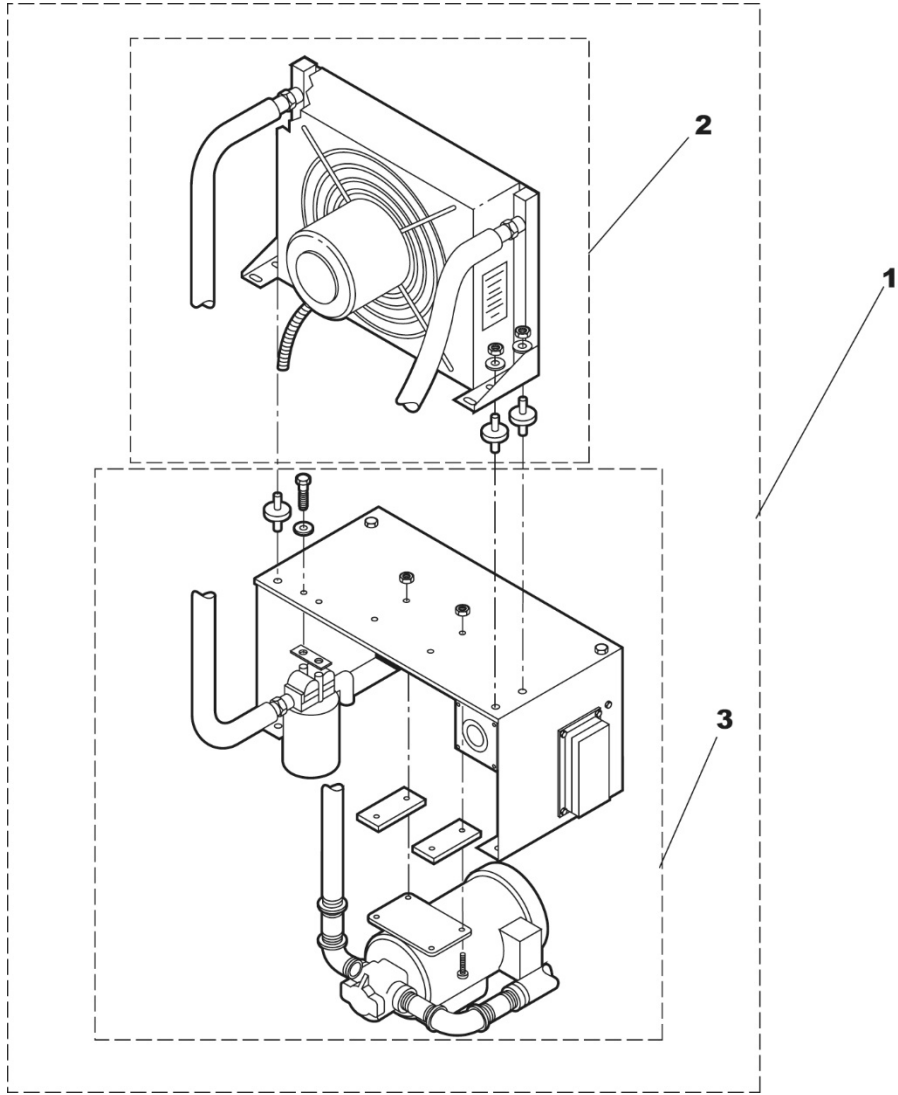
This document lists the lowest replaceable units (LRUs) for the standard version of the product. The LRUs are chosen by a team of Otis associates representing engineering and manufacturing.



While goal of this document is to make parts identification as easy as possible, the document cannot be all-inclusive. Elevator and escalator contracts classified as “special” or “custom” are not addressed here. For such contracts, please refer to specified information, the contract folder, TIPs, Field Education Articles, Construction Letters, etc. for further information.

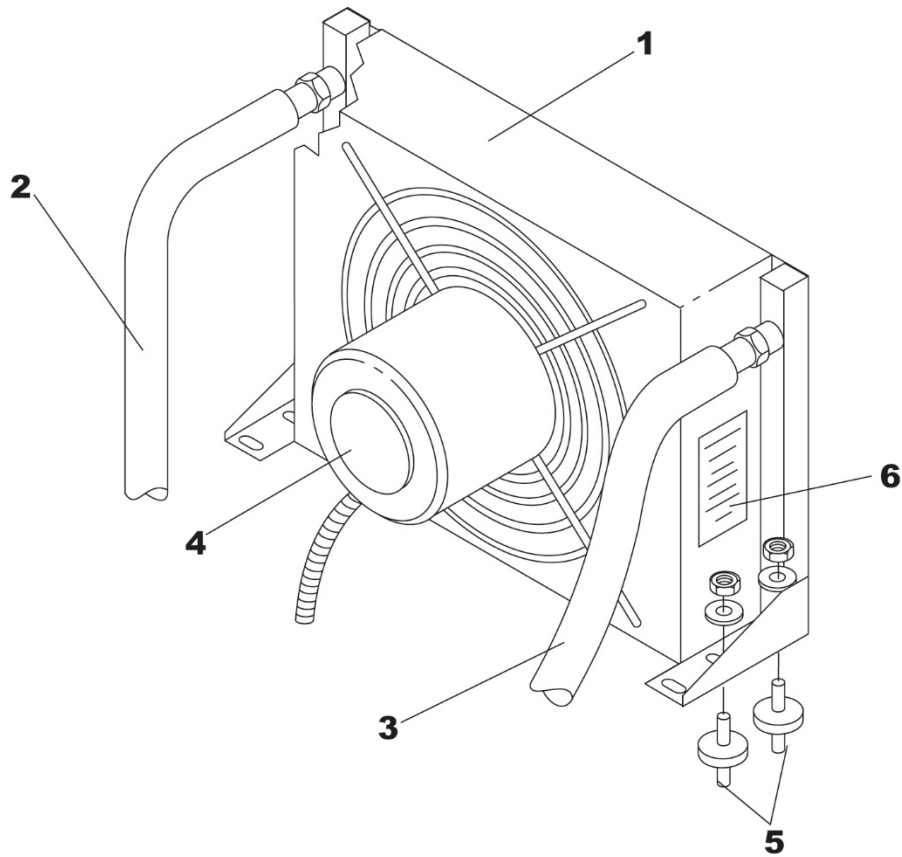
If you have any suggestions about this document, please contact the subject matter expert listed on this page.

Hydraulic Oil Cooler Assembly

06-AAA20391A



REF. No.	PART No.	DESCRIPTION
1	AAA20391A1	Assembly, Oil Cooler
2	---	Heat Exchanger Section,  Detail on p. 4
3	---	Motor, Pump, Filtration Section,  Detail on p. 5



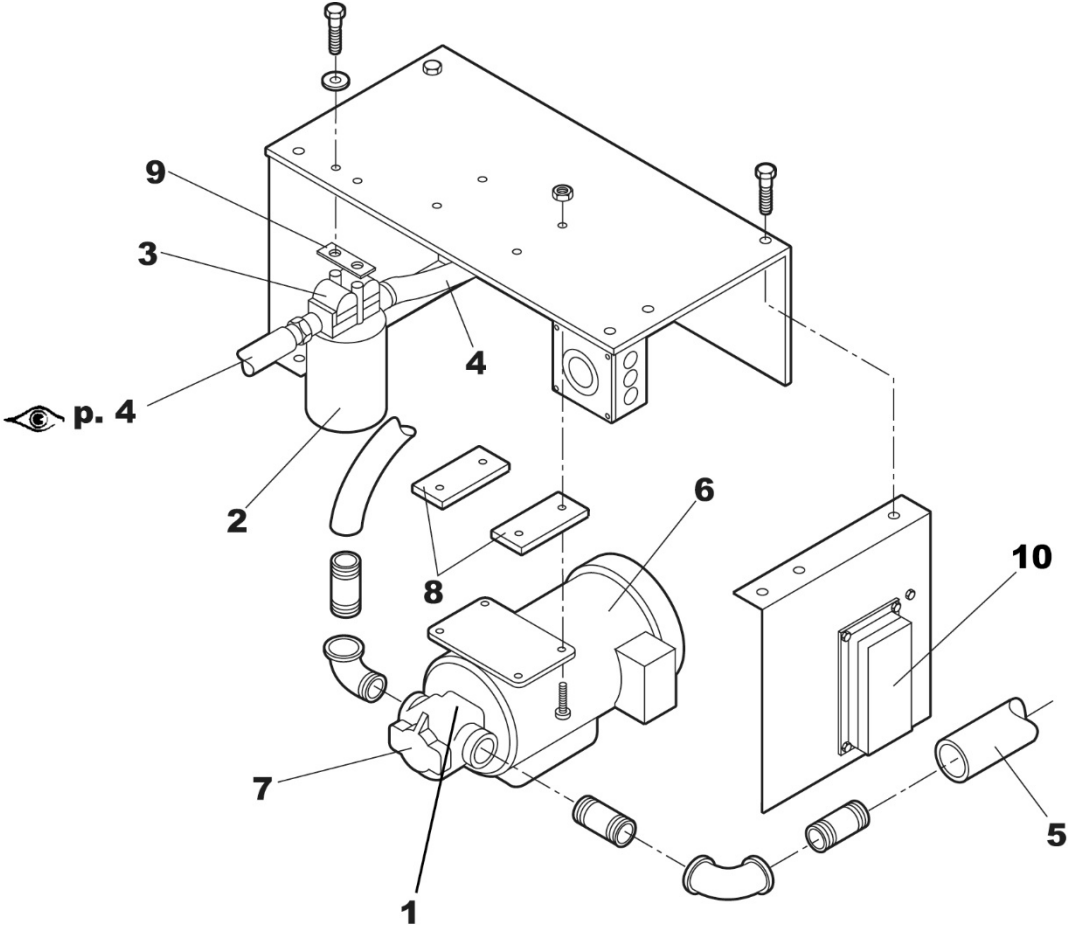
AAA20391A		
REF. No.	PART No.	DESCRIPTION
1	AAA713B1	Cooler, Radiator
*	AAA737Y1	Filter, Air
2	AAA134S3	Hose (cooler to filter)
3	AAA134S4	Hose (pump to cooler)
4	AAA6333FC1	Motor
5	AAA129ES1	Mount, Isolation
6**	AAA102AKK1	Plate, Data

* Part not shown.

** Label description: "Caution: Oil cooler remains powered when elevator system power is off. Oil cooler must be locked and tagged out separately."

Motor, Pump, Filtration

06-AAA20391A



AAA20391A		
REF. No.	PART No.	DESCRIPTION
1	MEI-15527	Coupling, Motor (not shown)
2	AAA737X1	Filter Element, Oil
3	AAA737W1	Filter Housing, Oil
4	AAA134S4	Hose (filter to tank)
5	AAA134S2	Hose (tank to pump)
6	AAA6333FB1	Motor
7	AAA711E1	Pump, Bi-directional
8	AAA464DM1	Separator, Isolation, Motor Mount
9	AAA464DM2	Separator, Isolation, Pump Mount
10	AAA739J1	Thermostat