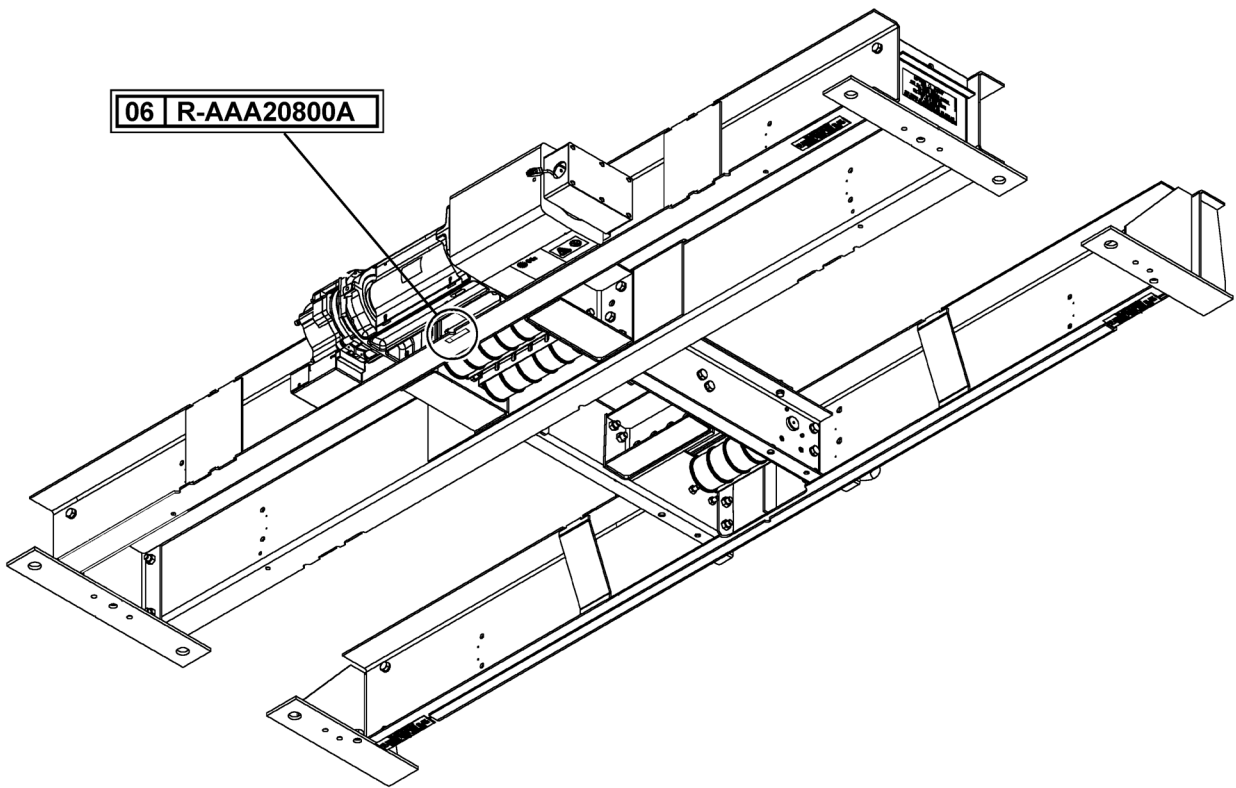


**Machine-Room Support
Structure Gen2® R2
(Limited Duty)**

**Spare Parts Leaflet
06-AAA20800A
June 1, 2011 / Page 1 of 3**



Unpublished Work—© Otis Elevator Co.; 2011

OTIS

Safety First!

**SERVICE ENGINEERING
Otis Elevator Company
Bloomfield, Connecticut USA**

Leaflet Description

The SPL describes the lowest replaceable units (LRU) for the Gen2 Limited Duty machine support structure and rear counterweight.

Leaflet Revisions

Date Revised	Subject Matter Expert	Reason for Revision
April 9, 2003	Mark Orelup	New SPL
August 26, 2003	Wendy Smerk	New information added pp. 2 & 3
July 28, 2010	Kevin Katerberg	Added AAA349C1 on page 4.
June 1, 2011	Val Sheynkman	p/n AAA20780A2 was superseded by AAA20780P6 in ref. 1 on p. 3

Related Drawings

Drawing No.	Title	Drawing No.	Title
AAA20780A2	Non-Rotating Shaft	AAA20800A	Arrangement, Machine Support Structure NAA/Rear Cwt.
AAA29000AC	Arrangement, GeN2 R2 NAA (953 and 1134 Kg Duties)	AAA20800B	Arrangement, Machine Support Structure NAA/Rear Cwt.

Related Documents

Document ID	Title
SPL 06-AAA20220AK	GeN2 R2 NAA Limited Duty Machine
SPL 06-AAA20800B	Machine Room Support Structure GeN2 R2 (LD)

Subject Matter Expert

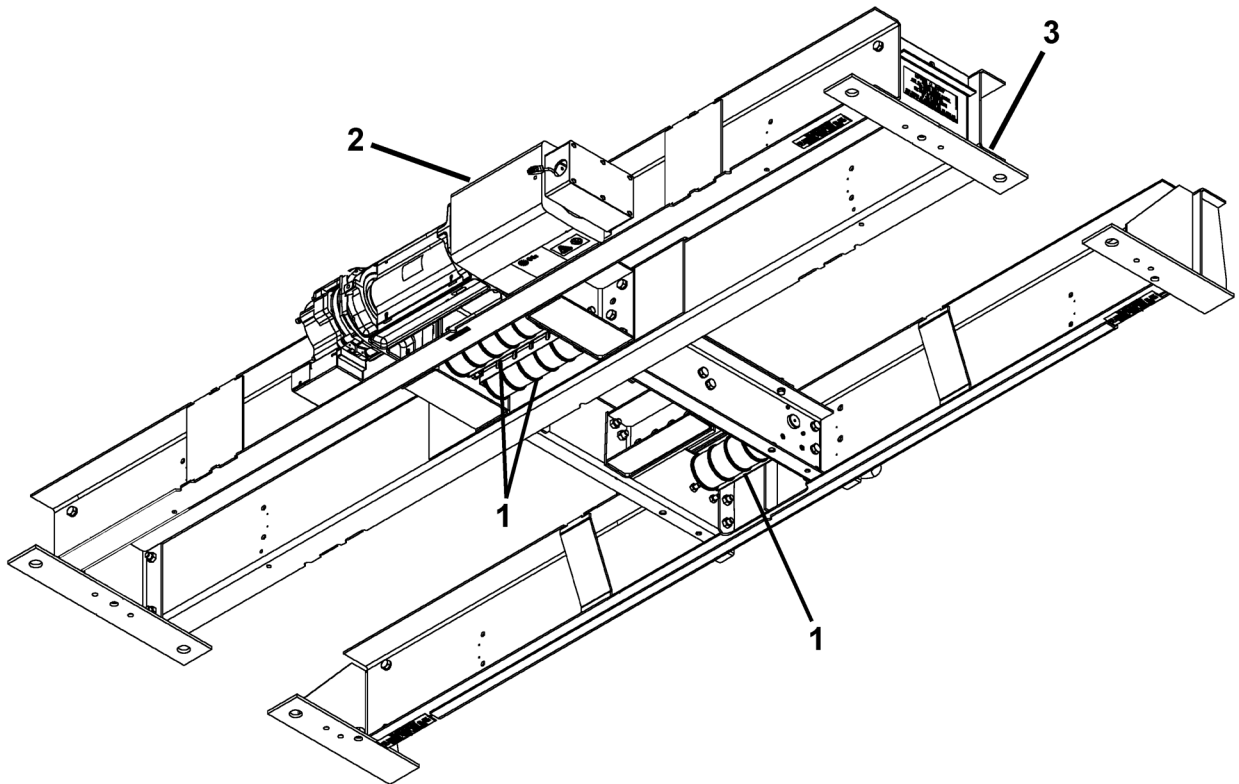
Name	Department
Val Sheynkman	OSC Service Engineering



About Spare Parts Leaflets...

This document lists the lowest replaceable units (LRUs) for the standard version of the product. The LRUs are chosen by a team of Otis associates representing engineering and manufacturing.

While goal of this document is to make parts identification as easy as possible, the document cannot be all-inclusive. Elevator and escalator contracts classified as "special" or "custom" are not addressed here. For such contracts, please refer to specified information, the contract folder, TIPs, Field Education Articles, Construction Letters, etc. for further information.

If you have any suggestions about this document, please contact the subject matter expert listed on this page.



AAA20800A		
REF. No.	PART No.	DESCRIPTION
1	AAA20780A2 AAA20780P6	Assembly, Sheave
*	AAA349C1	Compound, Anti-Fretting
2	---	Machine,  SPL 06-AAA20220AK
3	---	Structure, Machine-Room Support,  SPL 06-AAA20800B

* Part not shown.