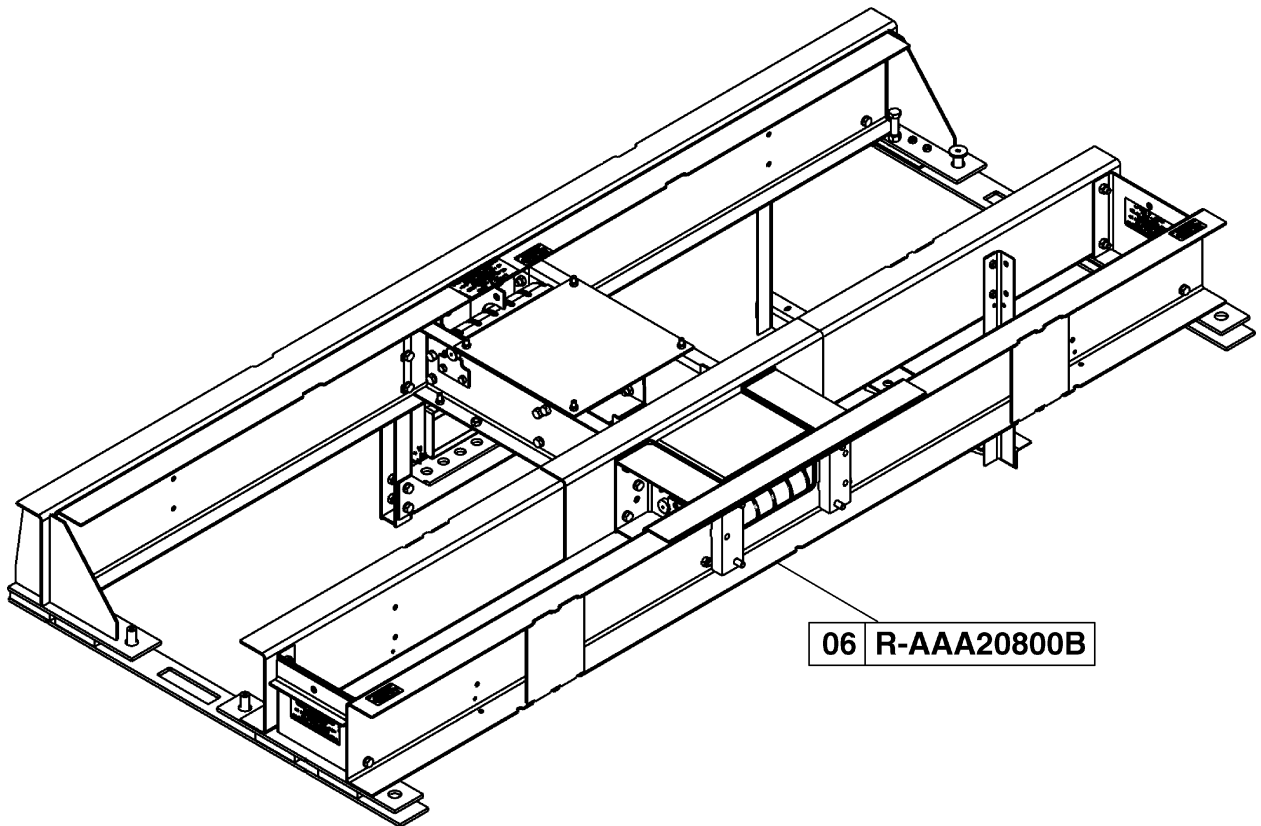


**Machine-Room  
Support Structure  
GeN2 R2 (Limited Duty)**

**Spare Parts Leaflet**

**06-AAA20800B**

**August 17, 2011 / Page 1 of 3**



**06 R-AAA20800B**

Unpublished Work—© Otis Elevator Co.; 2011

**OTIS**

**Safety First!**

**SERVICE ENGINEERING  
Otis Elevator Company  
Bloomfield, Connecticut USA**

**Leaflet Description**

The SPL describes the lowest replaceable units (LRU) for the GeN2™ machine support structure and rear counterweight.

**Leaflet Revisions**

<b>Date Revised</b>	<b>Subject Matter Expert</b>	<b>Reason for Revision</b>
November 8, 2002	Mark Orelup	New SPL
May 1, 2003	Mark Orelup	Added Reference to SPL 06-AAA20800A on the History Page
August 25, 2003	Wendy Smerk	Updated vintage information on cover page. Added reference to sheaves on page 3.
August 17, 2011	Val Sheynkman	Updated the History page

**Related Drawings**

<b>Drawing No.</b>	<b>Title</b>	<b>Drawing No.</b>	<b>Title</b>
AAA20800B	Arrangement Machine Support Structure NAA/Rear CWT	AAA24750B	Car Slack Rope Device
AAA20800A	Integrated Machine and Bedplate Structure (IMBS) NAA/Rear CWT	AAA29000AC	Arrangement Gen2 R2 NAA (953 and 1134 kg duties)

**Related Documents**

<b>Document ID</b>	<b>Title</b>
SPL 06-AAA20220AK	GeN2 R2 NAA Limited Duty Machine
SPL 06-AAA20800A	GeN2 R2 NAA Limited Duty Machine Structure

**Subject Matter Expert**

<b>Name</b>	<b>Department</b>
Val Sheynkman	OSC Service Engineering

**About Spare Parts Leaflets...**

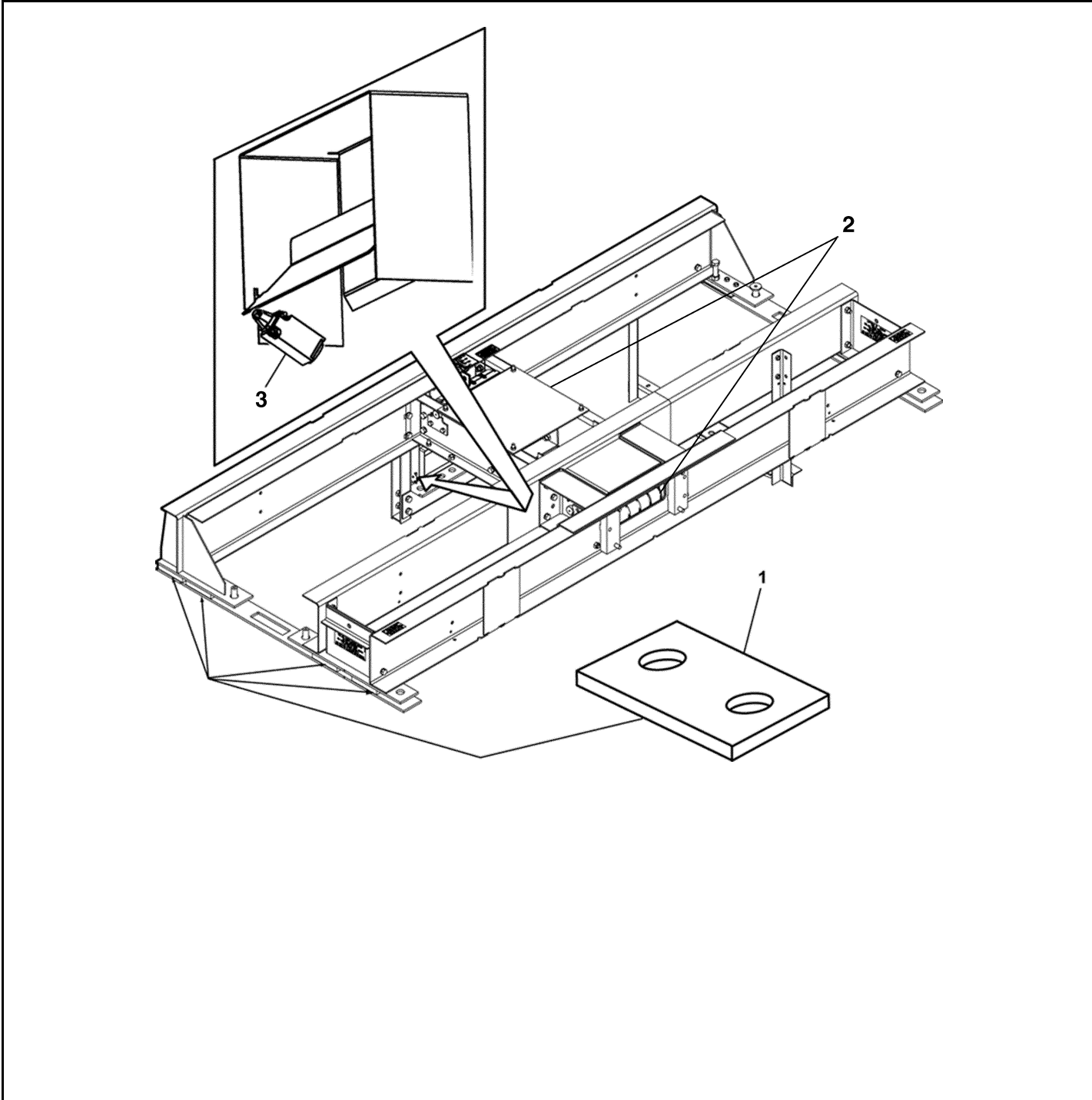
This document lists the lowest replaceable units (LRUs) for the standard version of the product. The LRUs are chosen by a team of Otis associates representing engineering and manufacturing.


While goal of this document is to make parts identification as easy as possible, the document cannot be all-inclusive. Elevator and escalator contracts classified as “special” or “custom” are not addressed here. For such contracts, please refer to specified information, the contract folder, TIPs, Field Education Articles, Construction Letters, etc. for further information.

If you have any suggestions about this document, please contact the subject matter expert listed on this page.

# Machine Support Structure

**06-AAA20800B**



AAA20800B		
REF. No.	PART No.	DESCRIPTION
1	310BE2	Pad, Isolation, 3 x 6 in. L
2	---	Sheaves,  SPL 06-AAA20800A
3	AAA661D5	Switch, Snap Action, SPDT (special purpose)