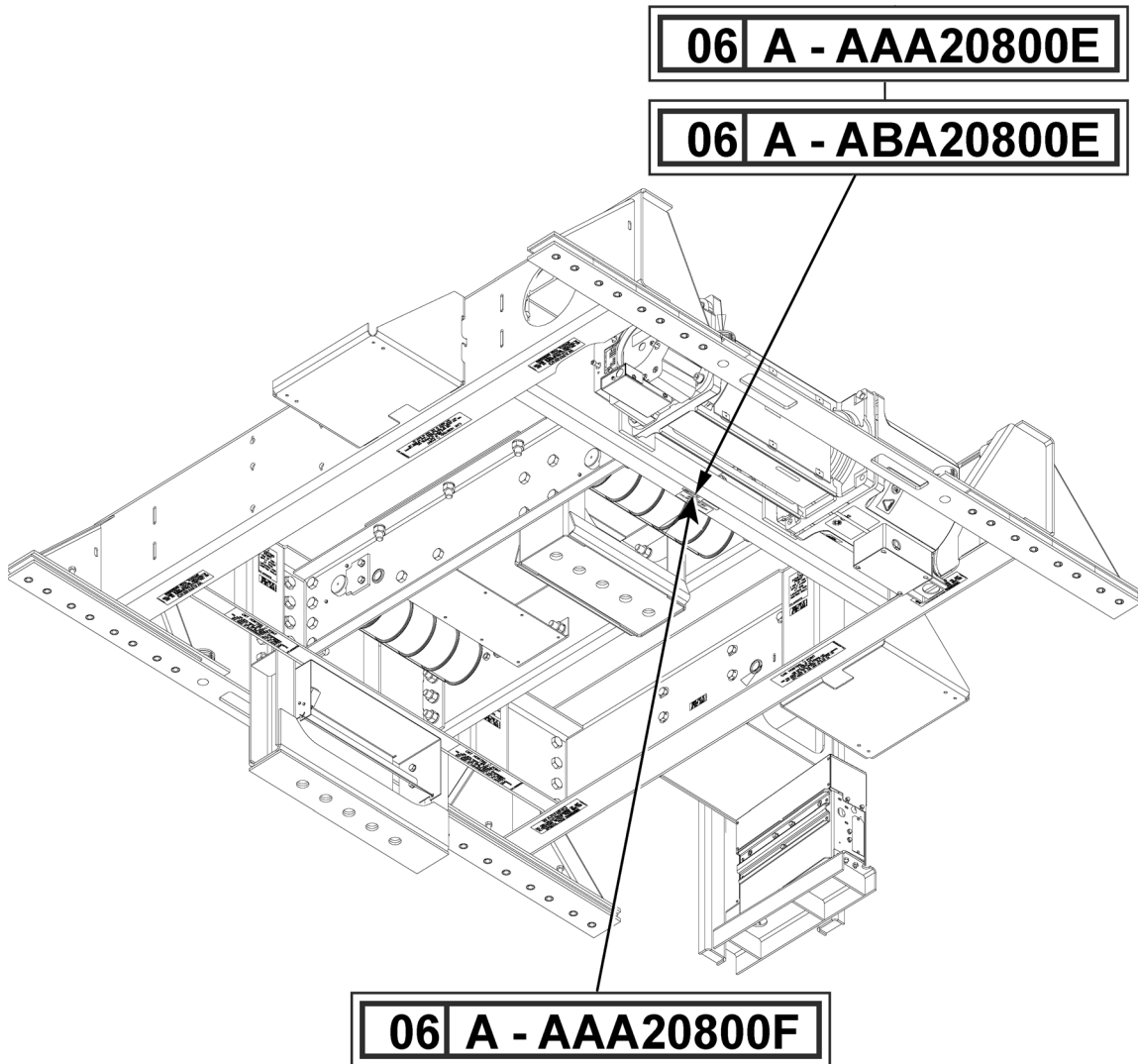


**Machine-Roomless  
Integrated Machine &  
Bedplate Structure  
(NSAA Extended Duties  
with Rear Counterweight)**

**Spare Parts Leaflet**

**06-AAA20800F**

**September 21, 2011 / Page 1 of 5**



Unpublished Work—© Otis Elevator Co.; 2011

**OTIS**

**Safety First!**

**SERVICE ENGINEERING  
Otis Elevator Company  
Bloomfield, Connecticut USA**

**Leaflet Description**

The SPL lists the lowest replaceable units (LRUs) for the integrated machine and bedplate structure used with NSAA extended hospital duties using a side counterweight.

**Leaflet Revisions**

<b>Date Revised</b>	<b>Subject Matter Expert</b>	<b>Reason for Revision</b>
August 16, 2004	Gary Olson	New SPL
July 28, 2010	Kevin Katerberg	Added AAA20780C5 and AAA349C1 on page 4.
July 6, 2011	Val Sheynkman	Updated illustration on p. 4; Removed field installation notes on p. 4.
September 21, 2011	Kiron Bhaskar	Added p/n AAA20780W4 and updated illustration on p. 4

**Related Drawings**

<b>Drawing No.</b>	<b>Title</b>	<b>Drawing No.</b>	<b>Title</b>
ABA20800F	Assembly and Arrangement Integrated Machine and Bedplate Structure (IMBS) for NSAA Extended Duties with rear cwt.	AAA24750C	Car Slack Rope Device
AAA20780C	Sheave Assembly	AAA20780W	Sheave Assembly

**Related Documents**

<b>Document ID</b>	<b>Title</b>
SPL 06-AAA20800E	Assembly, Integrated Machine & Bedplate Structure NSAA Extended Hospital Duties with Side Counterweight (Pointer SPL to 06-AAA20800F)
SPL 06-AAA20220AN	GeN2 5T AC Permanent Magnet Gearless Machine ANSI-Compliant (Extended Duty)

**Subject Matter Expert**

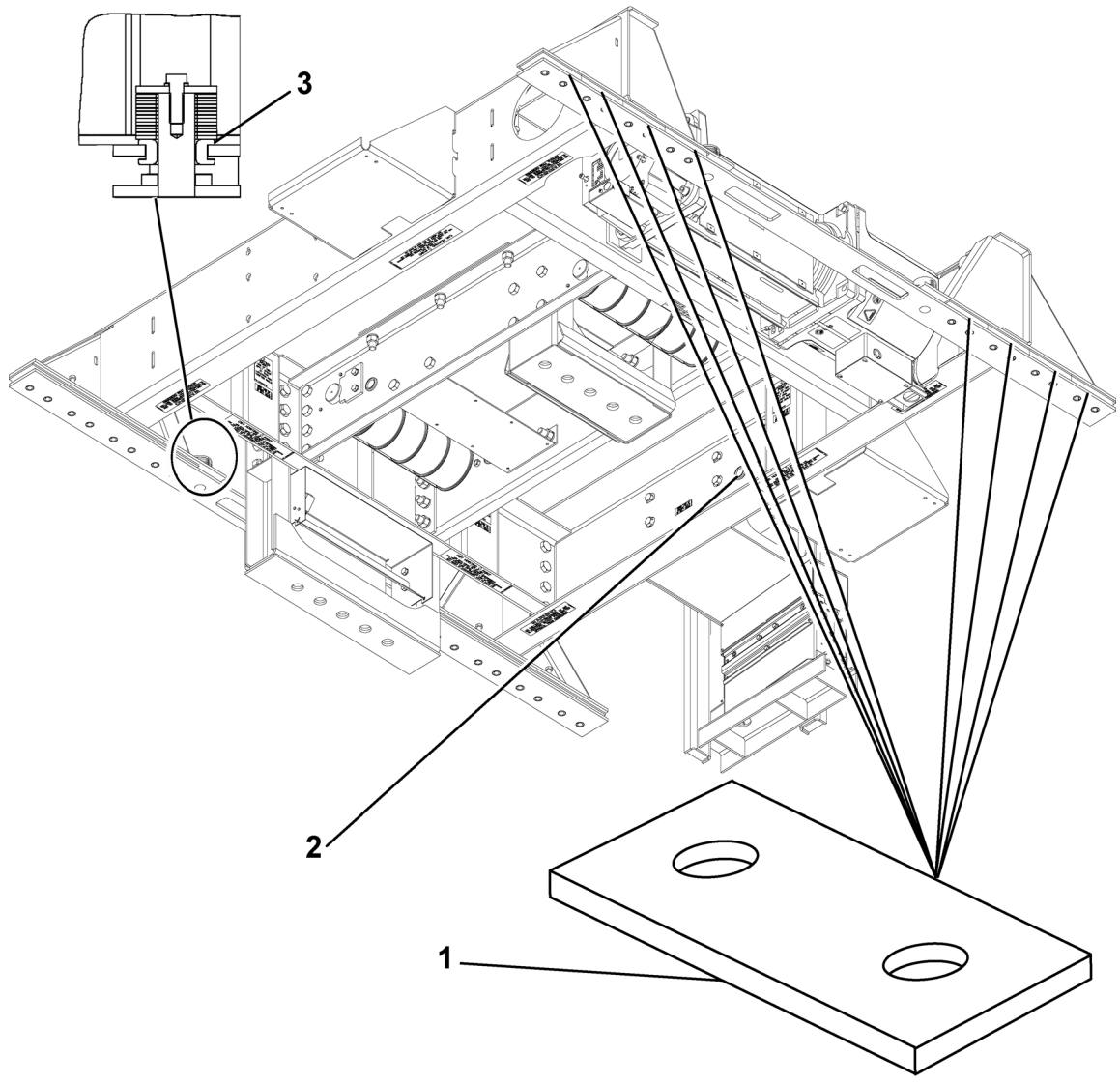
<b>Name</b>	<b>Department</b>
Val Sheynkman	OSC Service Engineering

**About Spare Parts Leaflets...**

This document lists the lowest replaceable units (LRUs) for the standard version of the product. The LRUs are chosen by a team of Otis associates representing engineering and manufacturing.

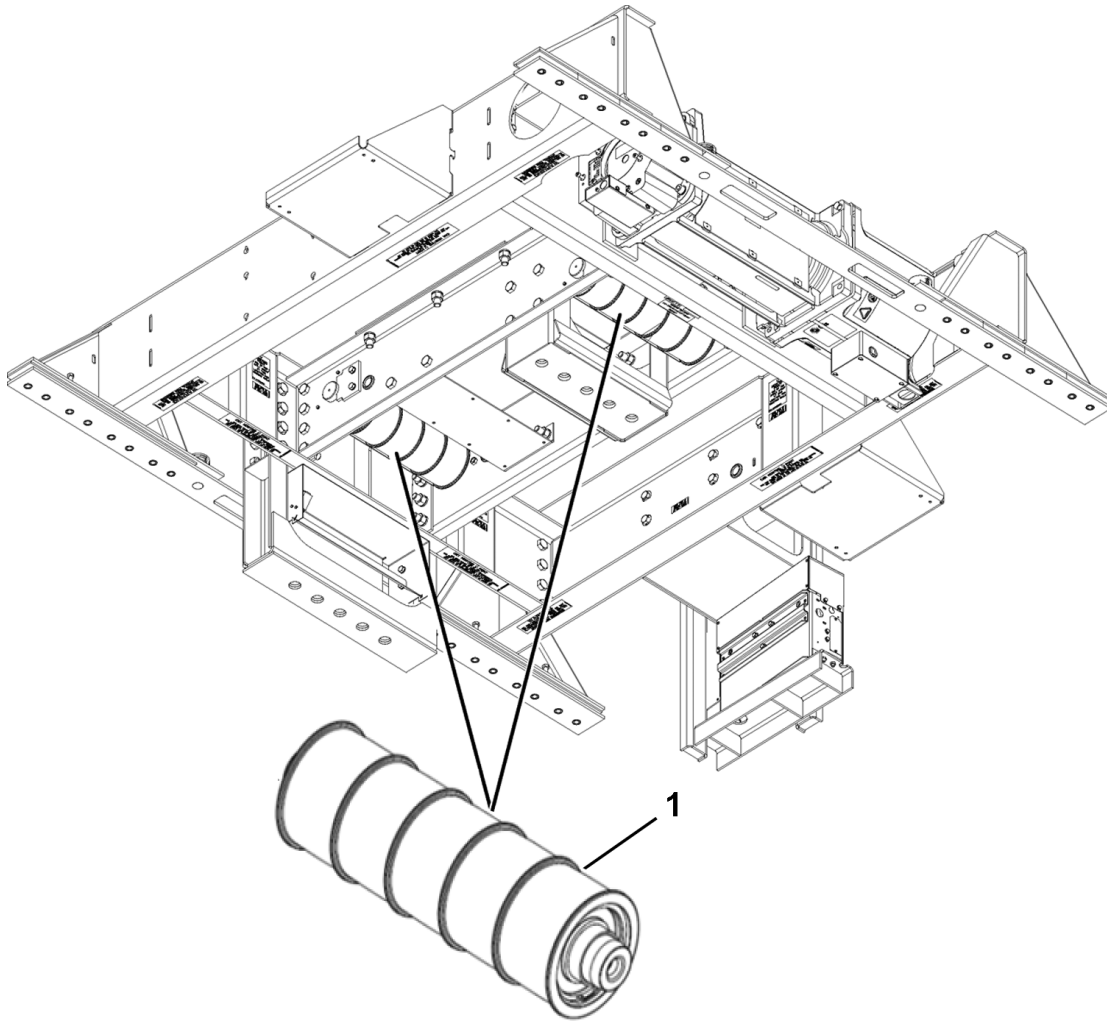
While goal of this document is to make parts identification as easy as possible, the document cannot be all-inclusive. Elevator and escalator contracts classified as "special" or "custom" are not addressed here. For such contracts, please refer to specified information, the contract folder, TIPs, Field Education Articles, Construction Letters, etc. for further information.

If you have any suggestions about this document, please contact the subject matter expert listed on this page.



AAA20800F		
REF. No.	PART No.	DESCRIPTION
1	310BE2	Block, Sound Isolation, 6 x 3 in.
2	334H42	Bushing, Rubber, 1.75 in. $\varnothing$ , 1.0 in. Wide
3	334H43	Bushing, Rubber, 2.5625 in. $\varnothing$ , 0.875 in. Wide

# Sheave Assembly

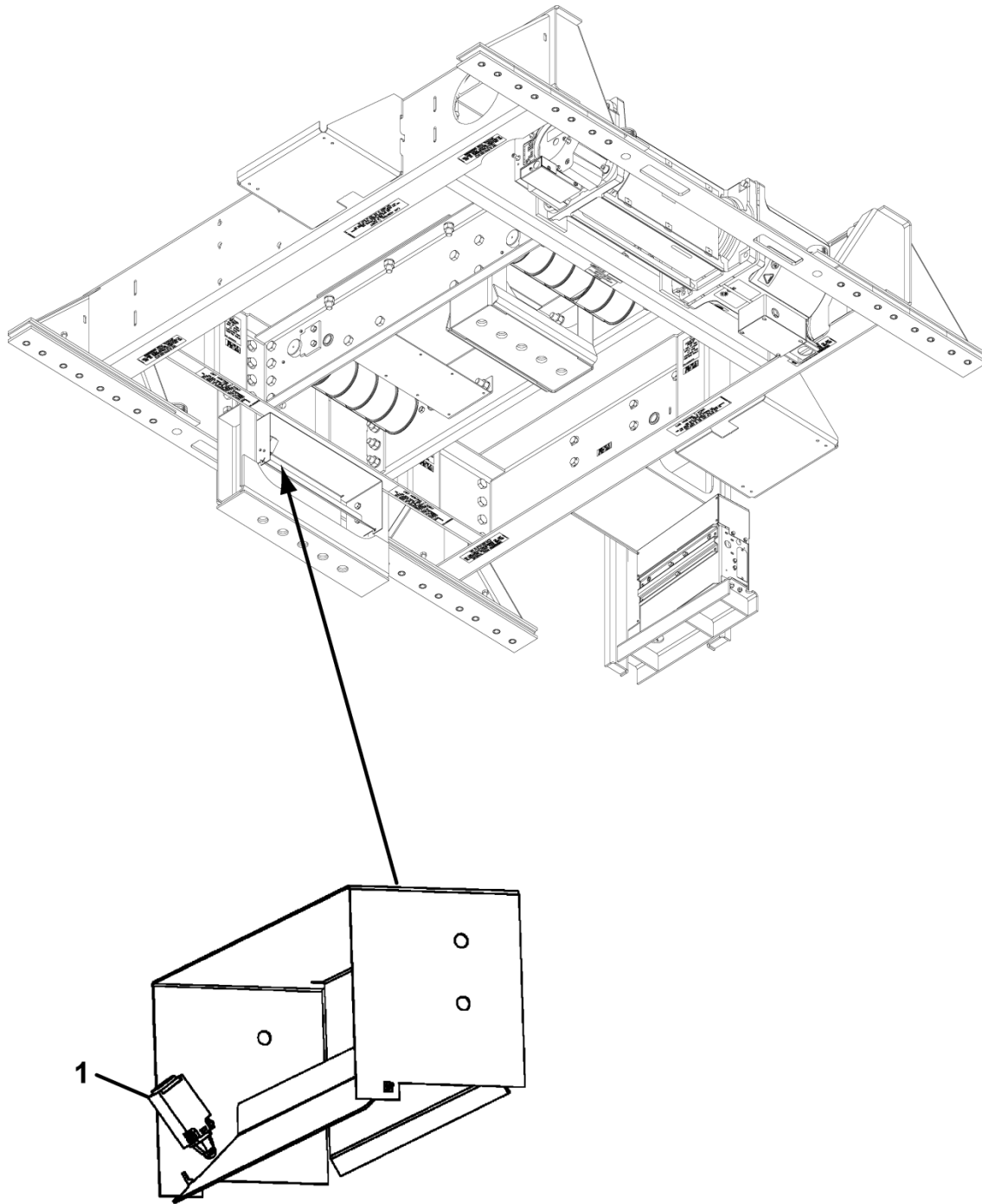


<b>AAA20800F</b>		
<b>REF. No.</b>	<b>PART No.</b>	<b>DESCRIPTION</b>
1	AAA20780C1 AAA20780C2 AAA20780C5 AAA20780W4	Assembly, Sheave
*	AAA349C1	Compound, Anti-Fretting

\* Part not shown.

# Slack Rope Device

**06-AAA20800F**



AAA20800F		
REF. No.	PART No.	DESCRIPTION
1	AAA661D5	Switch