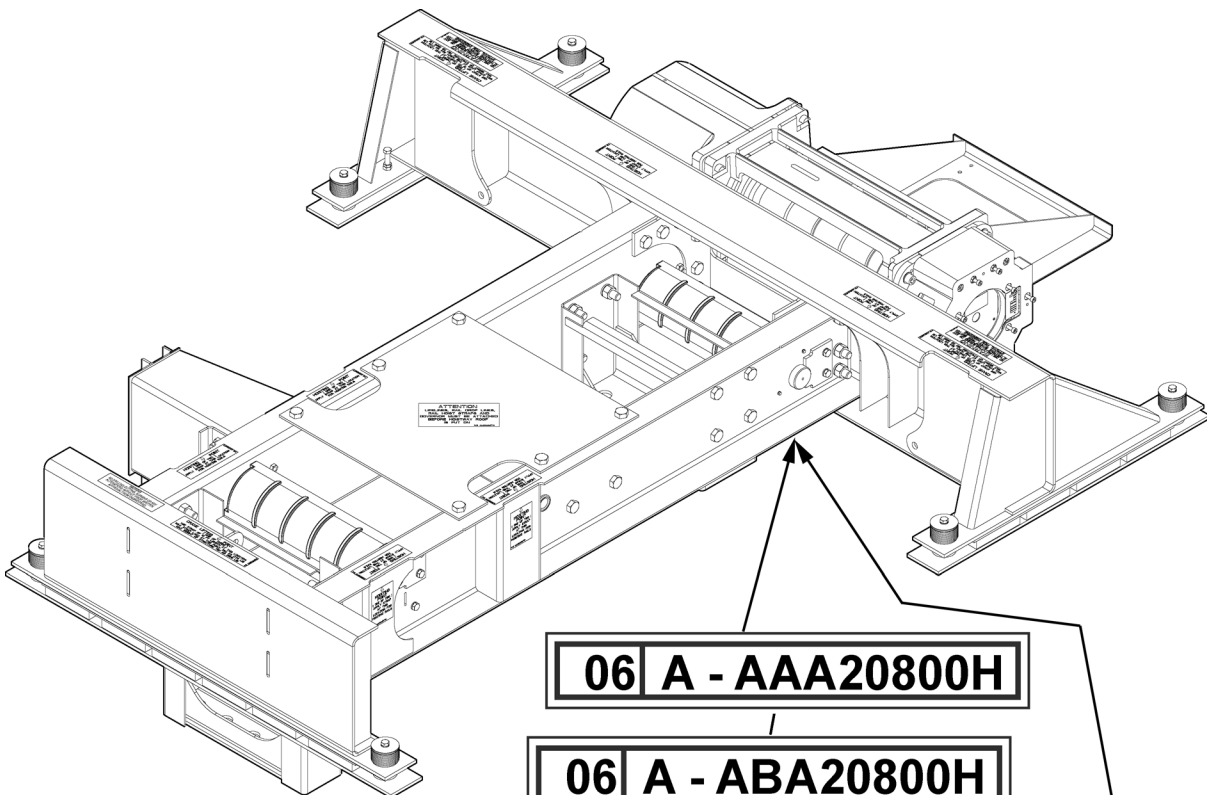


**Machine-Roomless
Integrated Machine &
Bedplate Structure
(NSAA Extended Passenger Duties
with Side Counterweight)**

Spare Parts Leaflet

06-AAA20800H

September 21, 2011 / Page 1 of 5



06 A - AAA20800H

06 A - ABA20800H

All vintage tags are mounted to the underside of the machine structure.

06 A - AAA20800G

06 A - ABA20800G

Unpublished Work—© Otis Elevator Co.; 2011

OTIS

Safety First!

**SERVICE ENGINEERING
Otis Elevator Company
Bloomfield, Connecticut USA**

Leaflet Description

The SPL lists the lowest replaceable units (LRUs) for the integrated machine and bedplate structure used with NSAA extended passenger duties using a side counterweight.

Leaflet Revisions

Date Revised	Subject Matter Expert	Reason for Revision
August 17, 2004	Gary Olson	New SPL
July 28, 2010	Kevin Katerberg	Added AAA20780C5 and AAA349C1 on page 4.
July 6, 2011	Val Sheynkman	Updated vintage information on the cover; Removed field installation notes and corrected the illustration on p. 4
September 21, 2011	Kiron Bhaskar	Added p/n AAA20780W4 and updated illustration on p.4

Related Drawings

Drawing No.	Title	Drawing No.	Title
ABA20800G	Assembly, Integrated Machine and Bedplate Structure (IMBS) for NSAA Extended Passenger Duties with side cwt.	AAA24750F	Counterweight Slack Rope Device
AAA20780C	Sheave Assembly	AAA20780W	Sheave Assembly

Related Documents

Document ID	Title
SPL 06-AAA20800G	Assembly, Integrated Machine and Bedplate Structure (IMBS) for NSAA Extended Passenger Duties with Side Counterweight (pointer SPL to 06-AAA20800H)
SPL 06-AAA20220AN	GeN2 5T AC Permanent Magnet Gearless Machine ANSI-Compliant (Extended Duty)

Subject Matter Expert

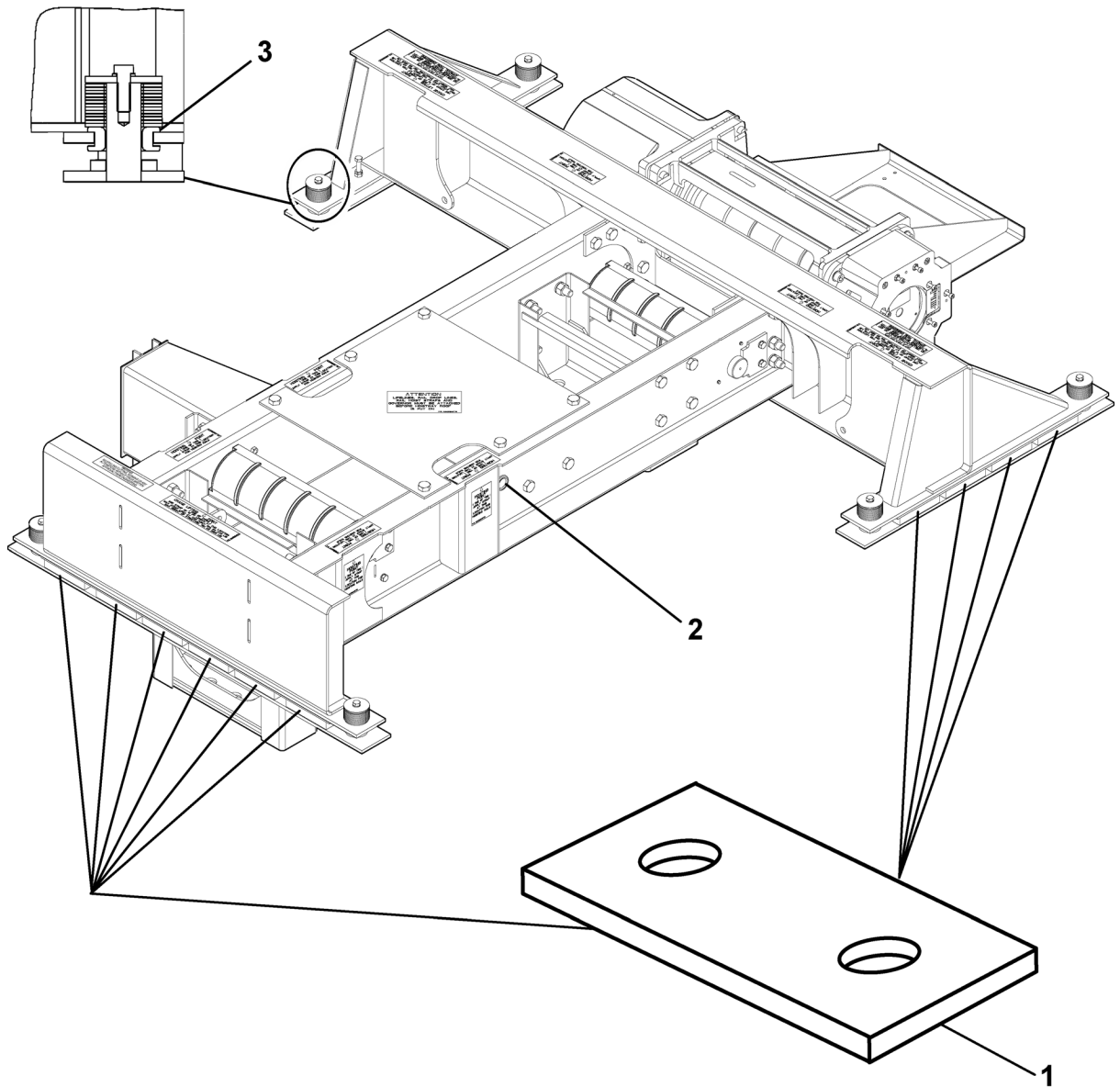
Name	Department
Val Sheynkman	OSC Service Engineering

About Spare Parts Leaflets...

This document lists the lowest replaceable units (LRUs) for the standard version of the product. The LRUs are chosen by a team of Otis associates representing engineering and manufacturing.

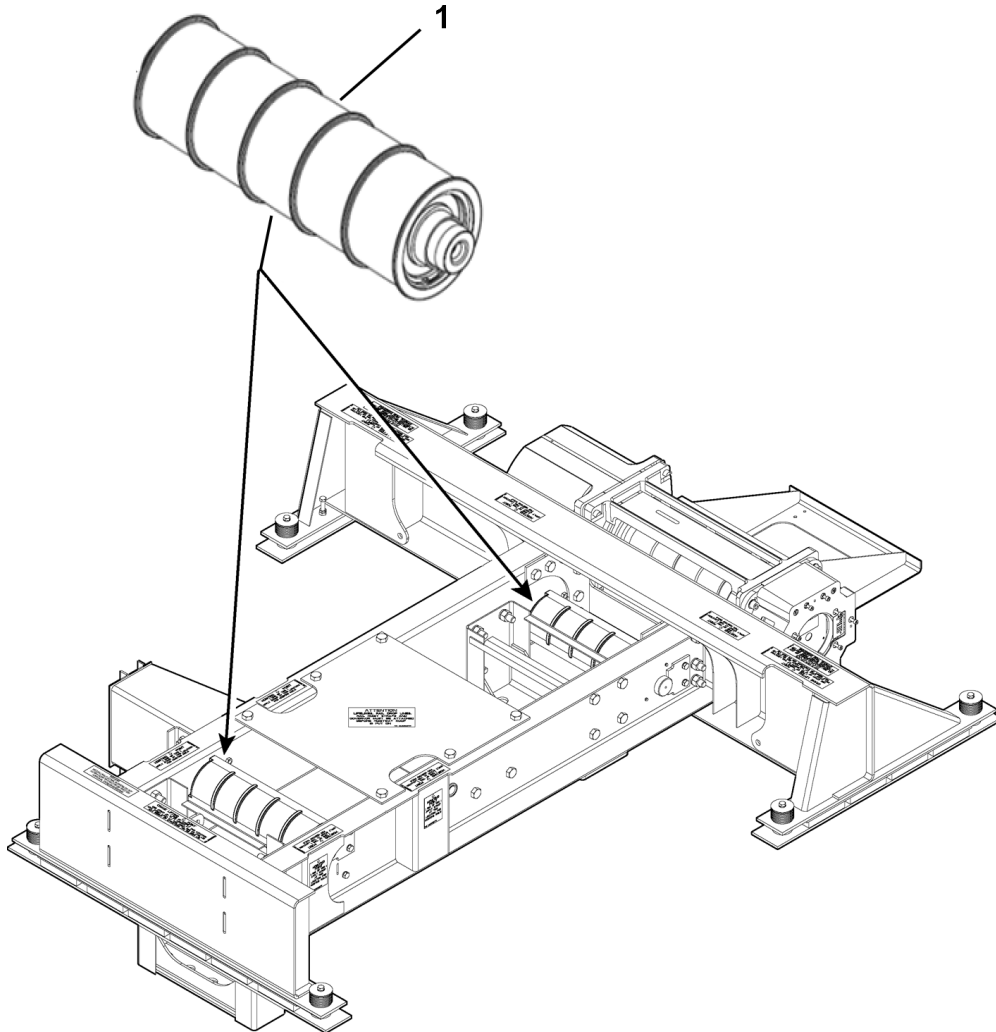
While goal of this document is to make parts identification as easy as possible, the document cannot be all-inclusive. Elevator and escalator contracts classified as "special" or "custom" are not addressed here. For such contracts, please refer to specified information, the contract folder, TIPs, Field Education Articles, Construction Letters, etc. for further information.

If you have any suggestions about this document, please contact the subject matter expert listed on this page.



AAA20800H		
REF. No.	PART No.	DESCRIPTION
1	310BE2	Block, Sound Isolation, 6 x 3 in.
2	334H42	Bushing, Rubber, 1.75 in. \varnothing , 1.0 in. Wide
3	334H43	Bushing, Rubber, 2.5625 in. \varnothing , 0.875 in. Wide

Sheave Assembly

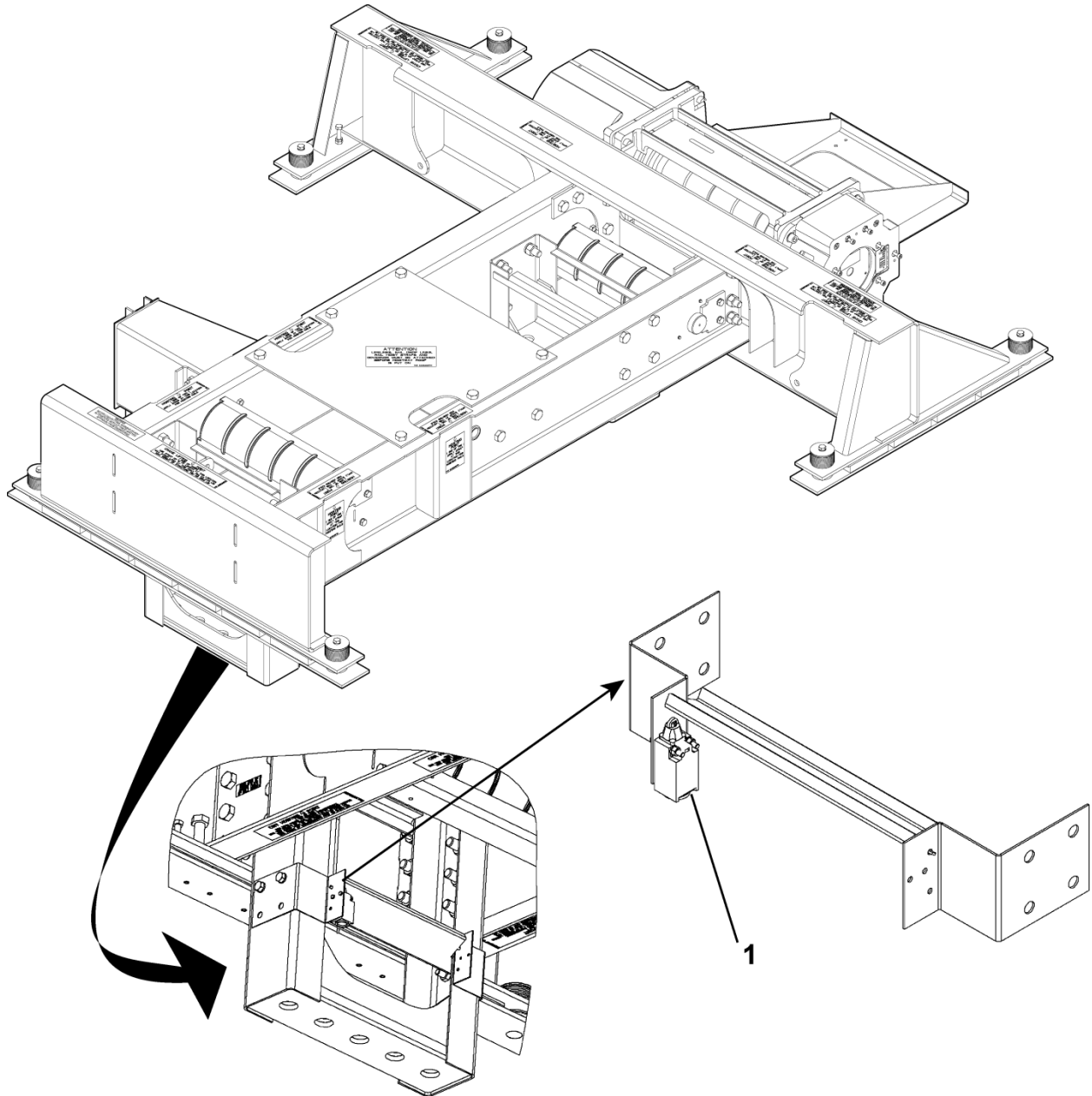


AAA20800H		
REF. No.	PART No.	DESCRIPTION
1	AAA20780C1 AAA20780C2 AAA20780C5 AAA20780W4	Assembly, Sheave
*	AAA349C1	Compound, Anti-Fretting

* Part not shown.

Slack Rope Device

06-AAA20800H



REF. No.	PART No.	DESCRIPTION
1	AAA661D5	Switch (Counterweight Slack Rope)