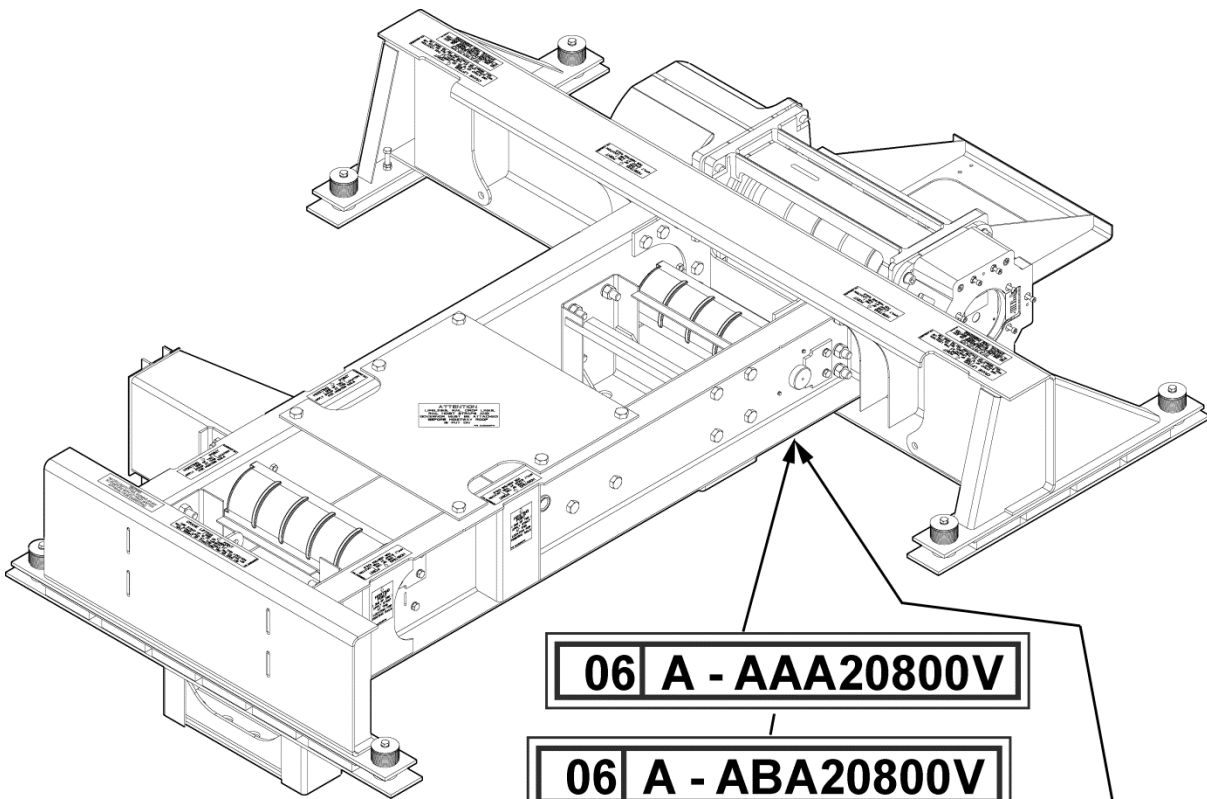


**Machine-Roomless
Integrated Machine &
Bedplate Structure
(NSAA Extended Passenger Duties
with Side Counterweight)**

Spare Parts Leaflet

06-AAA20800V

October 19, 2011 / Page 1 of 4



06 A - AAA20800V

06 A - ABA20800V

All vintage tags are mounted to the underside of the machine structure.

06 A - AAA20800T

Leaflet Description

The SPL lists the lowest replaceable units (LRUs) for the integrated machine and bedplate structure used with NSAA extended passenger duties using a side counterweight.

Leaflet Revisions

Date Revised	Subject Matter Expert	Reason for Revision
October 19, 2011	Richard Blakelock	New SPL

Related Drawings

Drawing No.	Title	Drawing No.	Title
ABA20800T	Assembly, Integrated Machine and Bedplate Structure (IMBS) for NSAA Extended Passenger Duties with side cwt.	AAA20780W	Sheave Assembly
AAA20780C	Sheave Assembly	AAA20220AN	Gen2® 5T AC Permanent Magnet Gearless Machine: ANSI-Compliant (Extended Duty & Next Generation High Rise)
AAA20220AS	Gen2® 5T AC Gearless Machine: ANSI- and EN81-Compliant (regenerative drive)		

Related Documents

Document ID	Title
SPL 06-AAA20800T	<i>Assembly, Integrated Machine and Bedplate Structure (IMBS) for NSAA Extended Passenger Duties with Side Counterweight (pointer SPL to 06-AAA20800H)</i>
SPL 06-AAA20220AN	<i>Gen2 5T AC Permanent Magnet Gearless Machine ANSI-Compliant (Extended Duty)</i>
SPL 06-AAA20220AS	<i>Gen2® 5T AC Gearless Machine: ANSI- and EN81-Compliant (regenerative drive)</i>

Subject Matter Expert

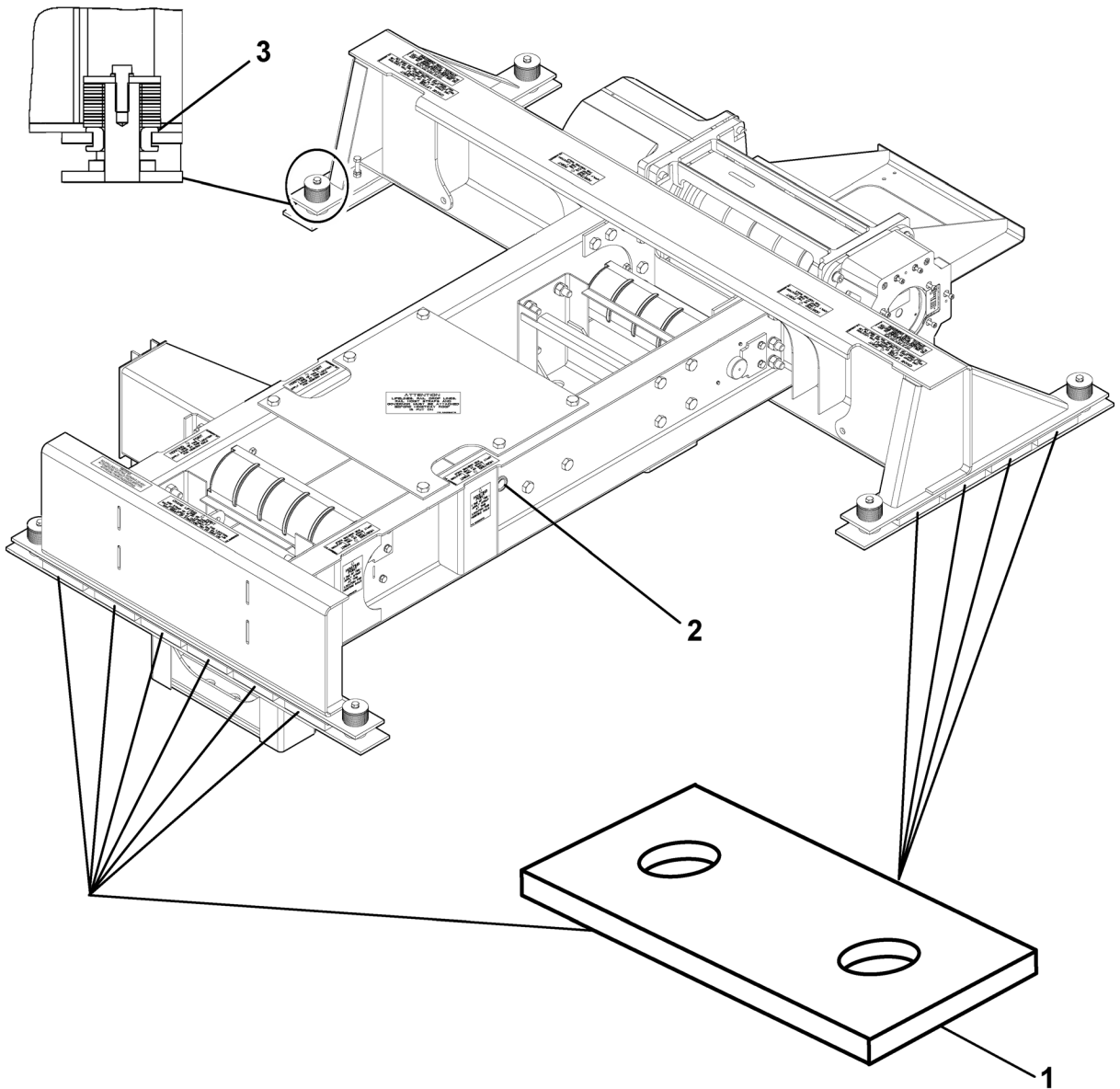
Name	Department
Val Sheynkman	OSC Service Engineering

About Spare Parts Leaflets...

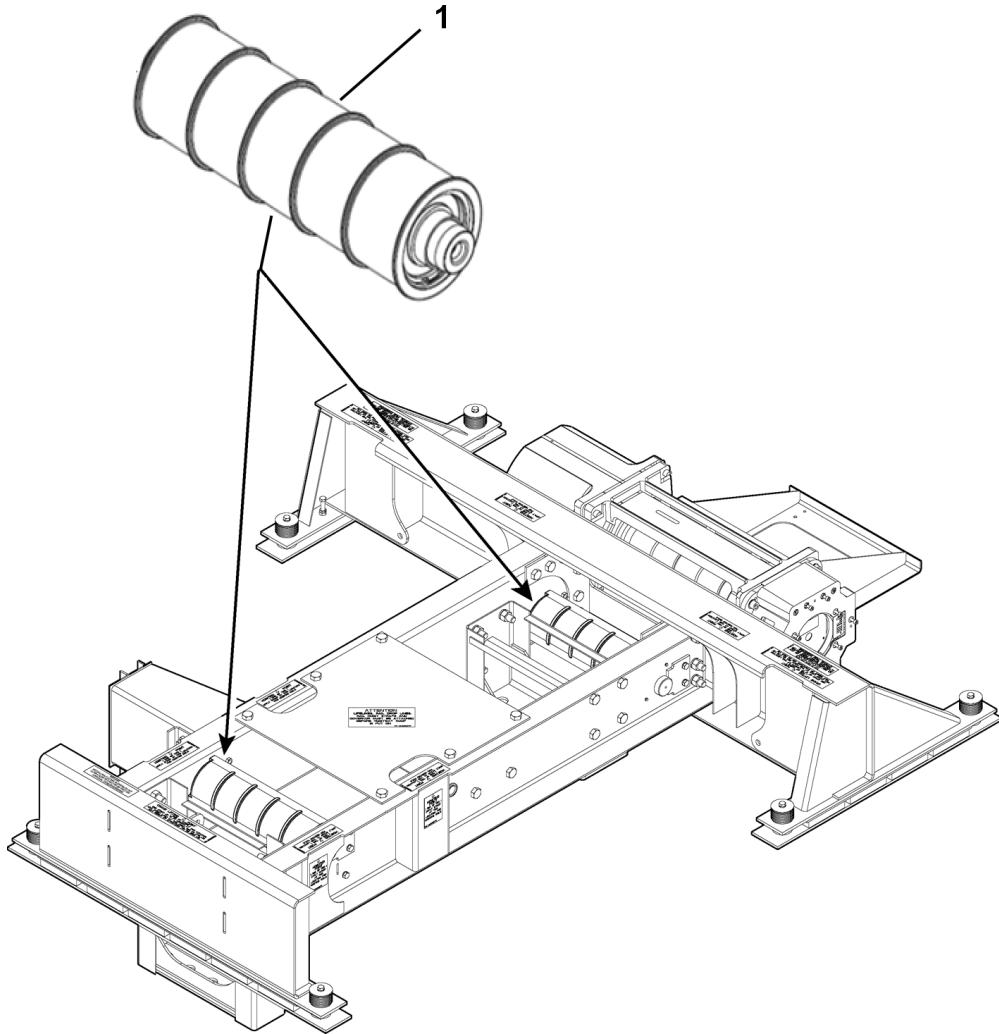
This document lists the lowest replaceable units (LRUs) for the standard version of the product. The LRUs are chosen by a team of Otis associates representing engineering and manufacturing.

While goal of this document is to make parts identification as easy as possible, the document cannot be all-inclusive. Elevator and escalator contracts classified as "special" or "custom" are not addressed here. For such contracts, please refer to specified information, the contract folder, TIPs, Field Education Articles, Construction Letters, etc. for further information.

If you have any suggestions about this document, please contact the subject matter expert listed on this page.



AAA20800V ABA20800V		
REF. No.	PART No.	DESCRIPTION
1	310BE2	Block, Sound Isolation, 6 x 3 in.
2	334H42	Bushing, Rubber, 1.75 in. \varnothing , 1.0 in. Wide
3	334H43	Bushing, Rubber, 2.5625 in. \varnothing , 0.875 in. Wide



	AAA20800V ABA20800V	
REF. No.	PART No.	DESCRIPTION
1	AAA20780C2 AAA20780C5 AAA20780W4	Assembly, Sheave
*	AAA349C1	Compound, Anti-Fretting

* Part not shown.