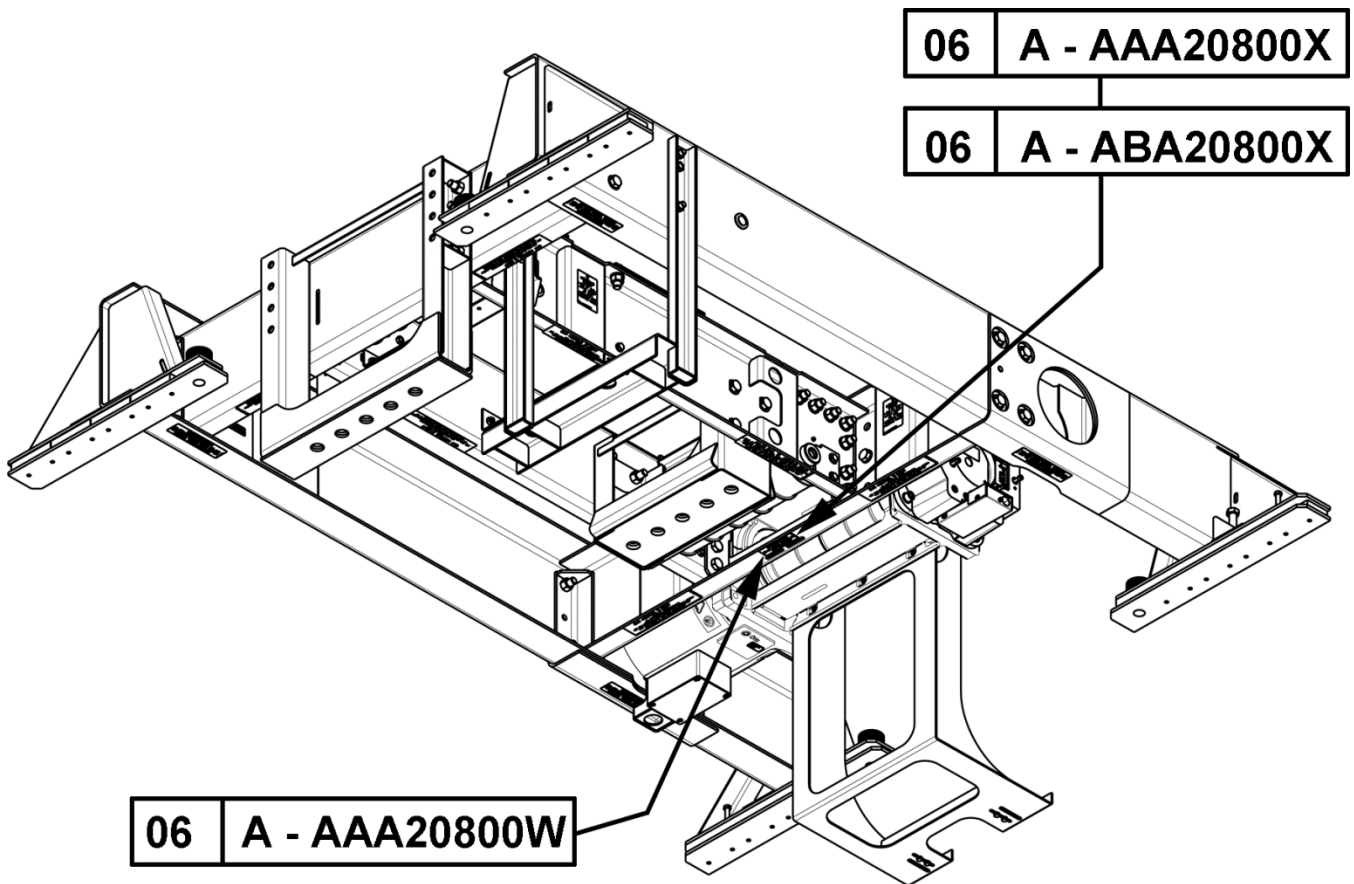


**Machine-Roomless
Integrated Machine &
Bedplate Structure**
(NSAA Extended Hospital Duties
with Side Counterweight)

Spare Parts Leaflet

06-AAA20800X

October 19, 2011 / Page 1 of 4



Unpublished Work—© Otis Elevator Co.; 2011

OTIS

Safety First!

SERVICE ENGINEERING
Otis Elevator Company
Bloomfield, Connecticut USA

Leaflet Description

The SPL lists the lowest replaceable units (LRUs) for the integrated machine and bedplate structure used with NSAA extended hospital duties using a side counterweight.

Leaflet Revisions

Date Revised	Subject Matter Expert	Reason for Revision
October 19, 2011	Richard Blakelock	New SPL

Related Drawings

Drawing No.	Title	Drawing No.	Title
ABA20800X	Assembly, Integrated Machine and Bedplate Structure (IMBS) for NSAA Extended Hospital Duties with side cwt.	AAA20780W	Sheave Assembly
AAA20780C	Sheave Assembly	AAA20220AN	Gen2® 5T AC Permanent Magnet Gearless Machine: ANSI-Compliant (Extended Duty & Next Generation High Rise)
AAA20220AS	Gen2® 5T AC Gearless Machine: ANSI- and EN81-Compliant (regenerative drive)		

Related Documents

Document ID	Title
SPL 06-AAA20800W	Assembly, Integrated Machine & Bedplate Structure NSAA Extended Hospital Duties with Side Counterweight (Pointer SPL to 06-AAA20800K)
SPL 06-AAA20220AN	GeN2 5T AC Permanent Magnet Gearless Machine ANSI-Compliant (Extended Duty)
SPL 06-AAA20220AS	<i>Gen2® 5T AC Gearless Machine: ANSI- and EN81-Compliant (regenerative drive)</i>

Subject Matter Expert

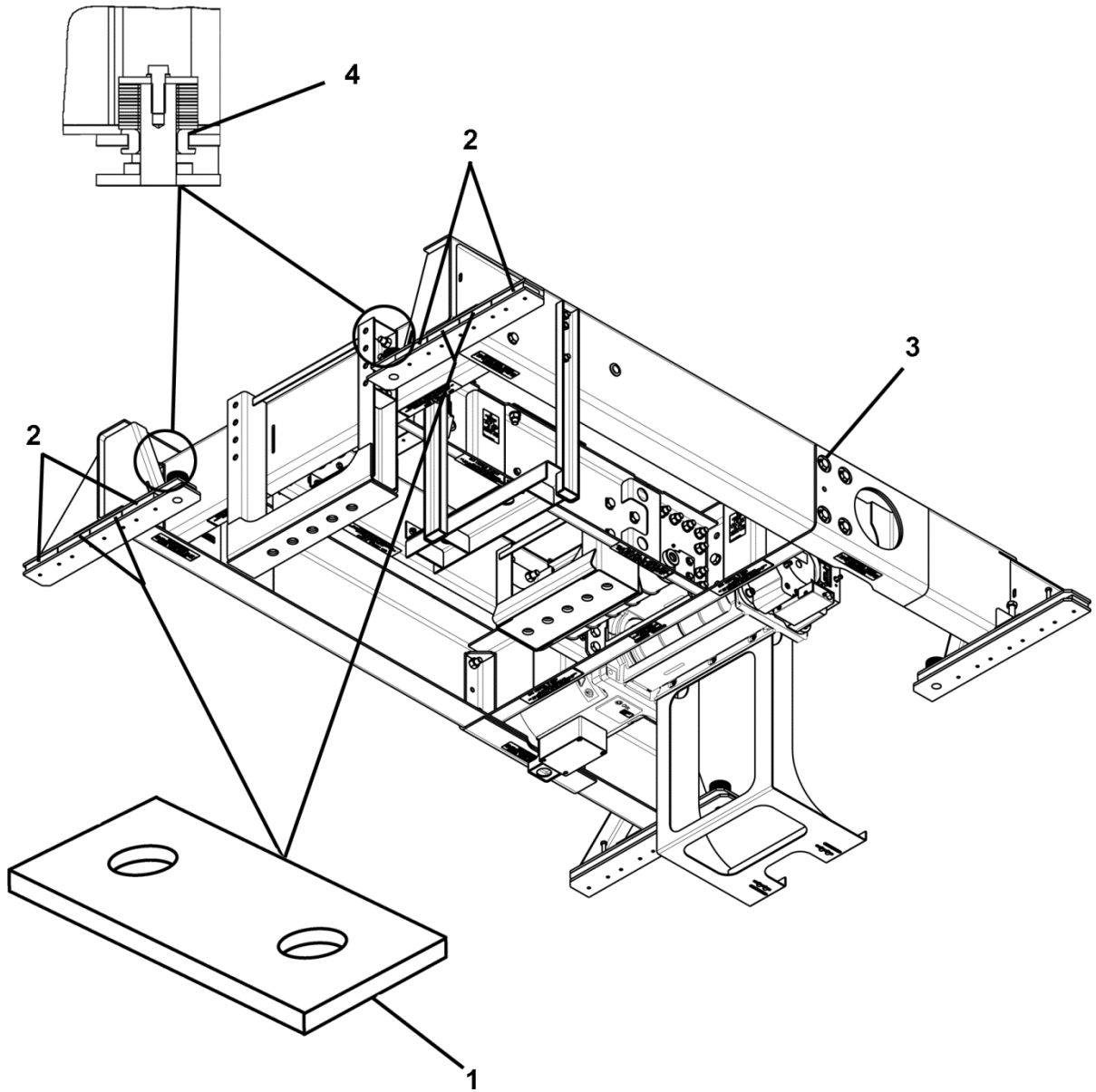
Name	Department
Val Sheynkman	OSC Service Engineering

About Spare Parts Leaflets...

This document lists the lowest replaceable units (LRUs) for the standard version of the product. The LRUs are chosen by a team of Otis associates representing engineering and manufacturing.

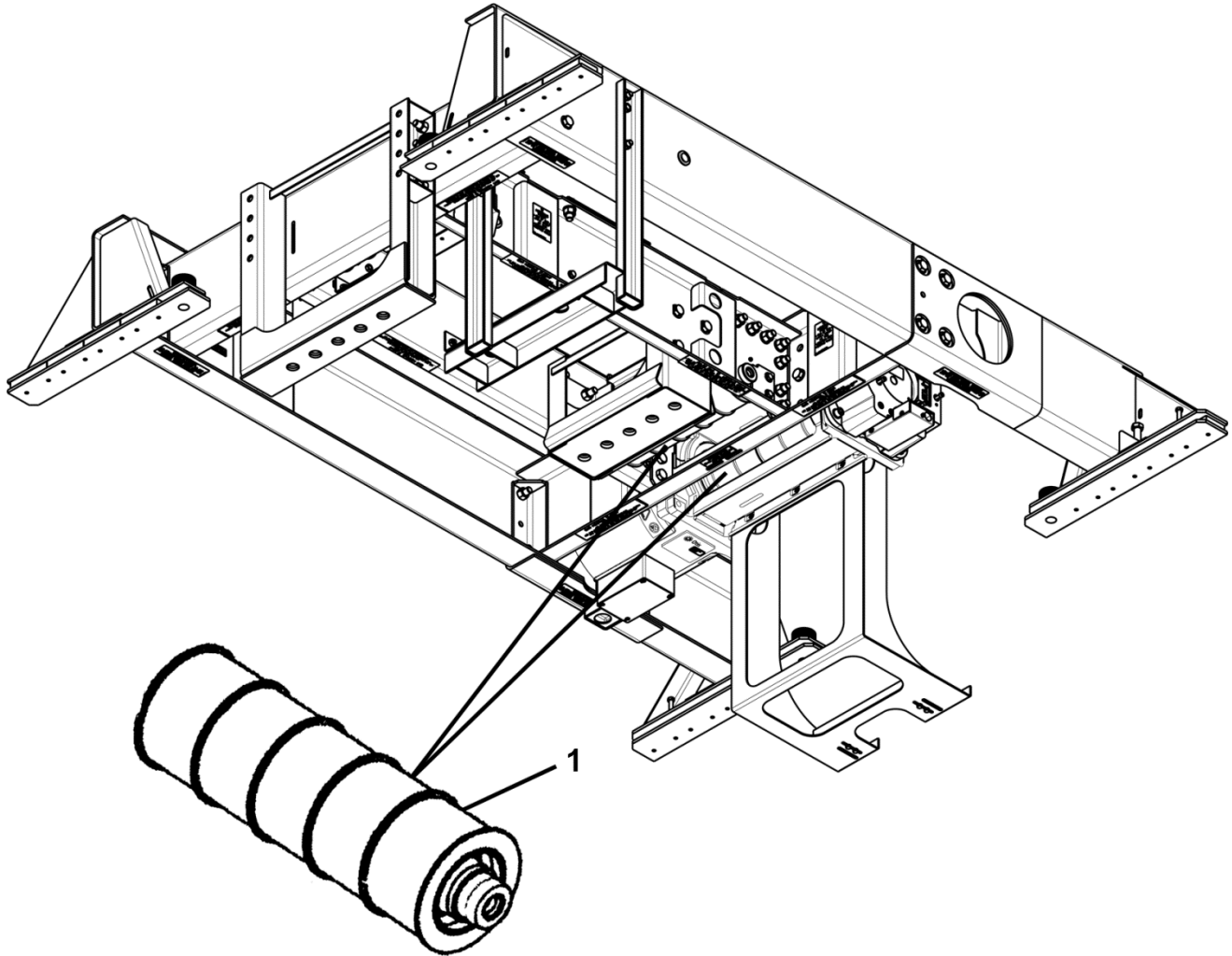
While goal of this document is to make parts identification as easy as possible, the document cannot be all-inclusive. Elevator and escalator contracts classified as “special” or “custom” are not addressed here. For such contracts, please refer to specified information, the contract folder, TIPs, Field Education Articles, Construction Letters, etc. for further information.

If you have any suggestions about this document, please contact the subject matter expert listed on this page.



**AAA20800X
ABA20800X**

REF. No.	PART No.	DESCRIPTION
1	310BE2	Block, Sound Isolation, 6 x 3 in.
2	AAA310TY1	Block, Sound Isolation, 6 x 3 in.
3	334H42	Bushing, Rubber, 1.75 in. \varnothing , 1.0 in. Wide
4	334H43	Bushing, Rubber, 2.5625 in. \varnothing , 0.875 in. Wide



AAA20800X ABA20800X		
REF. No.	PART No.	DESCRIPTION
1	AAA20780C2 AAA20780C5 AAA20780W4	Assembly, Sheave
*	AAA349C1	Compound, Anti-Fretting

* Part not shown.