

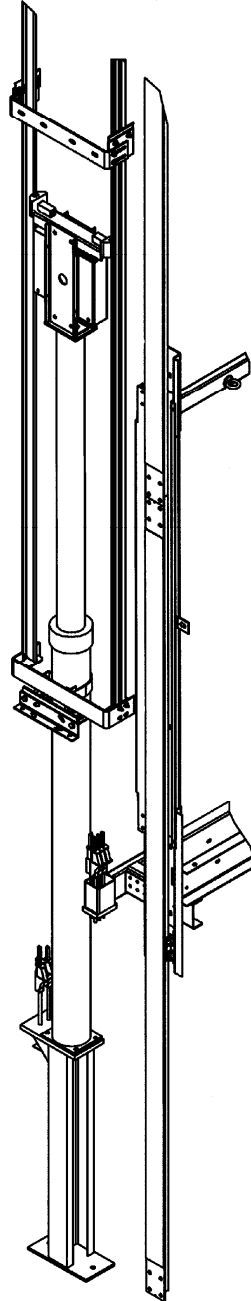
**Roped Hydraulic
Drive System**

Spare Parts Leaflet

06-AAA22880B

April 4, 2006 / Page 1 of 5

**W/O
VINTAGE**



OTIS

SERVICE ENGINEERING
Otis Elevator Company
Bloomfield, Connecticut USA

Leaflet Description

This leaflet provides spare parts information for type AAA22880B roped hydraulic drive system.

Leaflet Revisions

Date Revised	Subject Matter Expert	Reason for Revision
March 1, 2001	Troy Chicoine	New Leaflet
April 4, 2006	Sean Mismas	Change p.3, Ref. 5 part No.

Related Drawings

Drawing No.	Title	Drawing No.	Title
AAA22880B	Arrangement, Roped Hydraulic Drive System	---	---
---	---	---	---

Related Documents

Document ID	Title
---	---

Subject Matter Expert

Name	Department
Sean Mismas	OSC Service Engineering

About Spare Parts Leaflets...

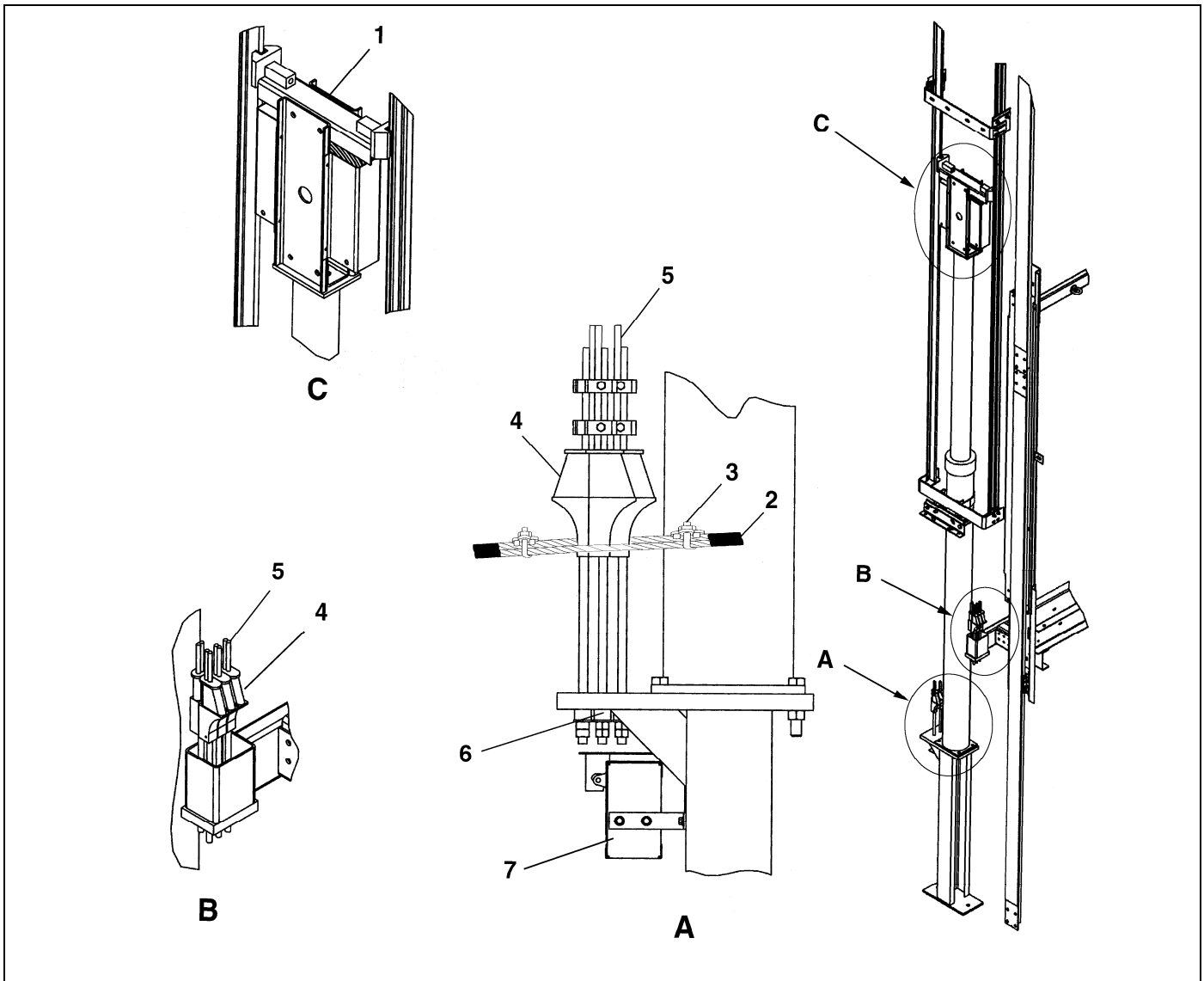
This document lists the lowest replaceable units (LRUs) for the standard version of the product. The LRUs are chosen by a team of Otis associates representing engineering and manufacturing.

While goal of this document is to make parts identification as easy as possible, the document cannot be all-inclusive. Elevator and escalator contracts classified as "special" or "custom" are not addressed here. For such contracts, please refer to specified information, the contract folder, TIPS, Field Education Articles, Construction Letters, etc. for further information.

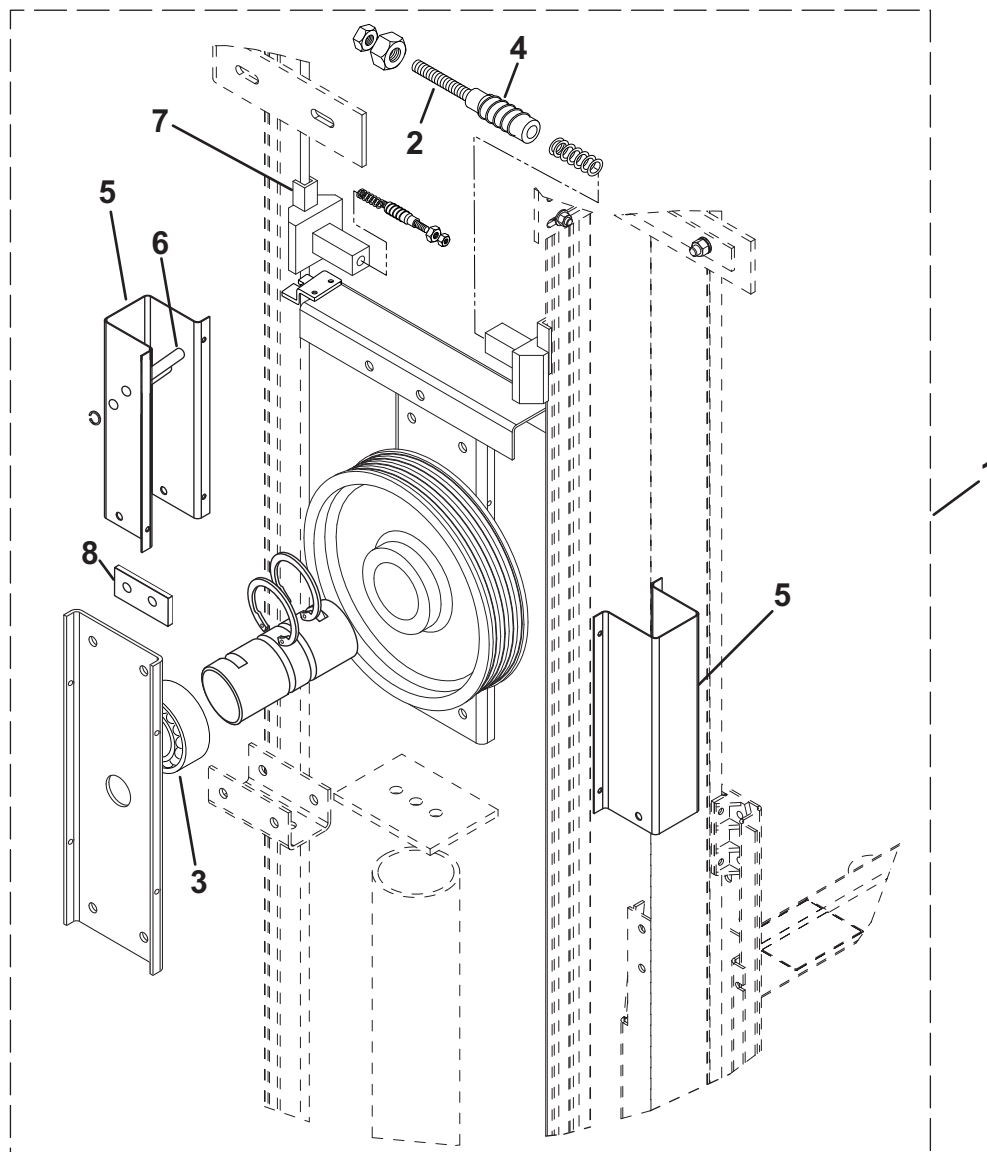
If you have any suggestions about this document, please contact the subject matter expert listed on this page.

Roped Hydraulic Drive System Components

06-AAA22880B



REF. NO.	W/O VINTAGE PART or ML	DESCRIPTION
1	AAA22941A2	Assembly, Ram Head, Detail pp. 4 and 5
2	CAB GSA1/4 x 7 x 19	Cable
3	336JW3	Clamp
4	ABA6612AW5	Clamp, Wedge
5	WRP819W-MRI AAA712W46	Rope, 3/8 in. (10 mm) Diameter, w/Wire Core
6	90HB9	Spring, Compression
7	AAA6098NR1	Switch, Slack Rope
	AAA6098NR2	Switch, Slack Rope

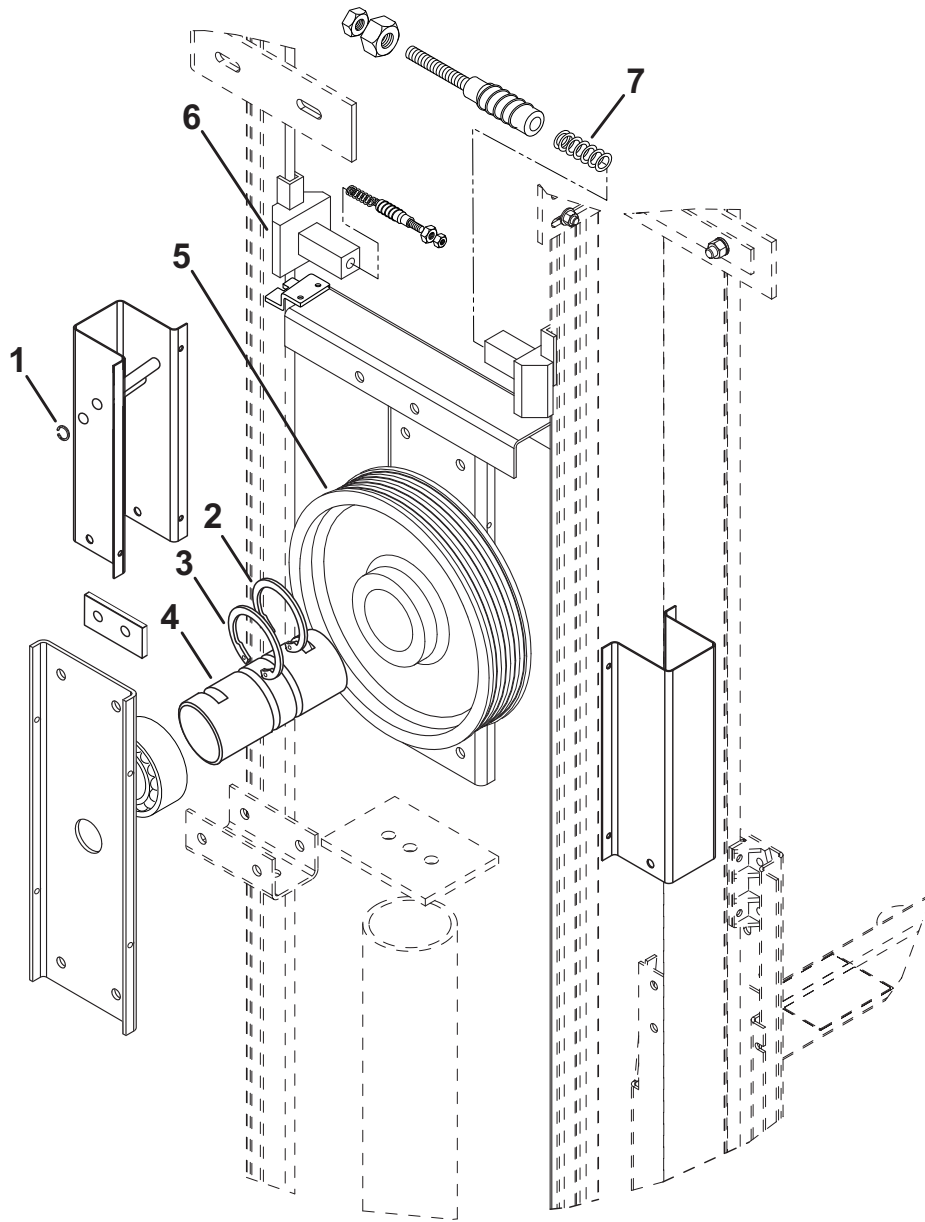


W/O VINTAGE		
REF. NO.	PART or ML	DESCRIPTION
1	AAA22941A2	Assembly, Ram Head, 4-Groove
2	96H239	Adjuster, Guide Shoe (threaded rod 3/8-16, 5 in. L)
3	207Z85	Bearing, Ball
4	AAA321JN1	Bushing, Spring
5	AAA285TE1	Cover, Sheave
6	AAA98KY1	Guard, Rope
7	AAA380CJ1	Insert, Shoe
8	AAA386LKL1	Plate, Retaining

(Continued on Next Page)

16 in. Sheave & Ram Head Assembly

06-AAA22880B



W/O VINTAGE		
REF. NO.	PART or ML	DESCRIPTION
1	172DN4	Ring, External Retaining, Steel, 0.750 in. \varnothing
2	AAA172UA1	Ring, External Retaining, 4.36 in. \varnothing
3	AAA172UB1	Ring, Internal Retaining, 1.99 in. Inside Diameter
4	AAA495EQ1	Shaft, Sheave
5	AAA265DV1	Sheave, 16 in. Diameter, 4-Groove
6	AAA237CS1	Shoe, Guide
7	AAA90EU1	Spring