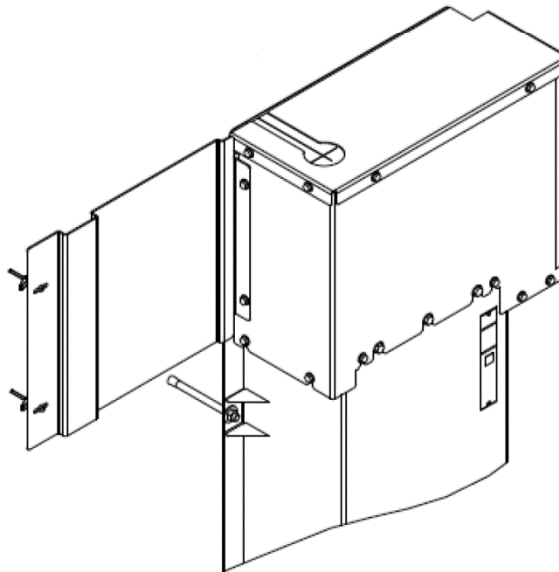
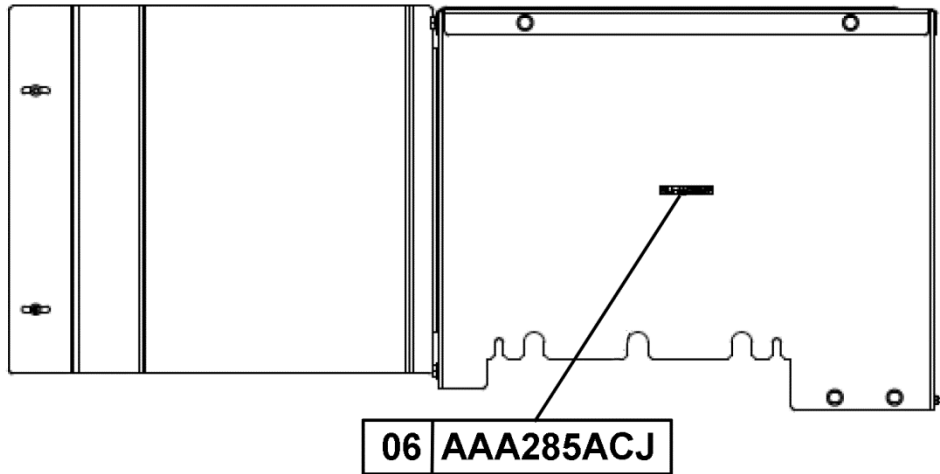


**Sound Guard Assembly,
MRL HydroFit®**

**Spare Parts Leaflet
06-AAA285ACJ**

February 17, 2016 / Page 1 of 4



OTIS

**SERVICE ENGINEERING
Otis Elevator Company
Bloomfield, Connecticut USA**

Unpublished Work—© Otis Elevator Co.; 2016

Leaflet Description

This leaflet provides spare parts information for the MRL sound box use on the HydroFit® model elevator. These assemblies are mounted to the top of the hydraulic tank to reduce noise from hydraulic equipment and control valves. These assemblies replace the previously used types AAA285ABB and AAA285ZV.

Leaflet Revisions

Date Revised	Subject Matter Expert	Reason for Revision
February 17, 2016	Andrew Vallowe	New SPL

Related Drawings

Drawing No.	Title	Drawing No.	Title
AAA285ACJ	Sound Guard Assembly	AAA20390AB	Hydraulic Machine Tank Assembly
AAA29504B	HydroFit® Hydraulic Subsystem	AAA20390AG	Hydraulic Machine Tank Assembly

Related Documents

Document ID	Title
SPL 10-AAA285ABB	<i>Formed Sound Package, Hospital Duty</i>
SPL 10-AAA285ZV	<i>Formed Sound Package</i>

Subject Matter Expert

Name	Department
Troy Chicoine	OSC Service Engineering

About Spare Parts Leaflets...

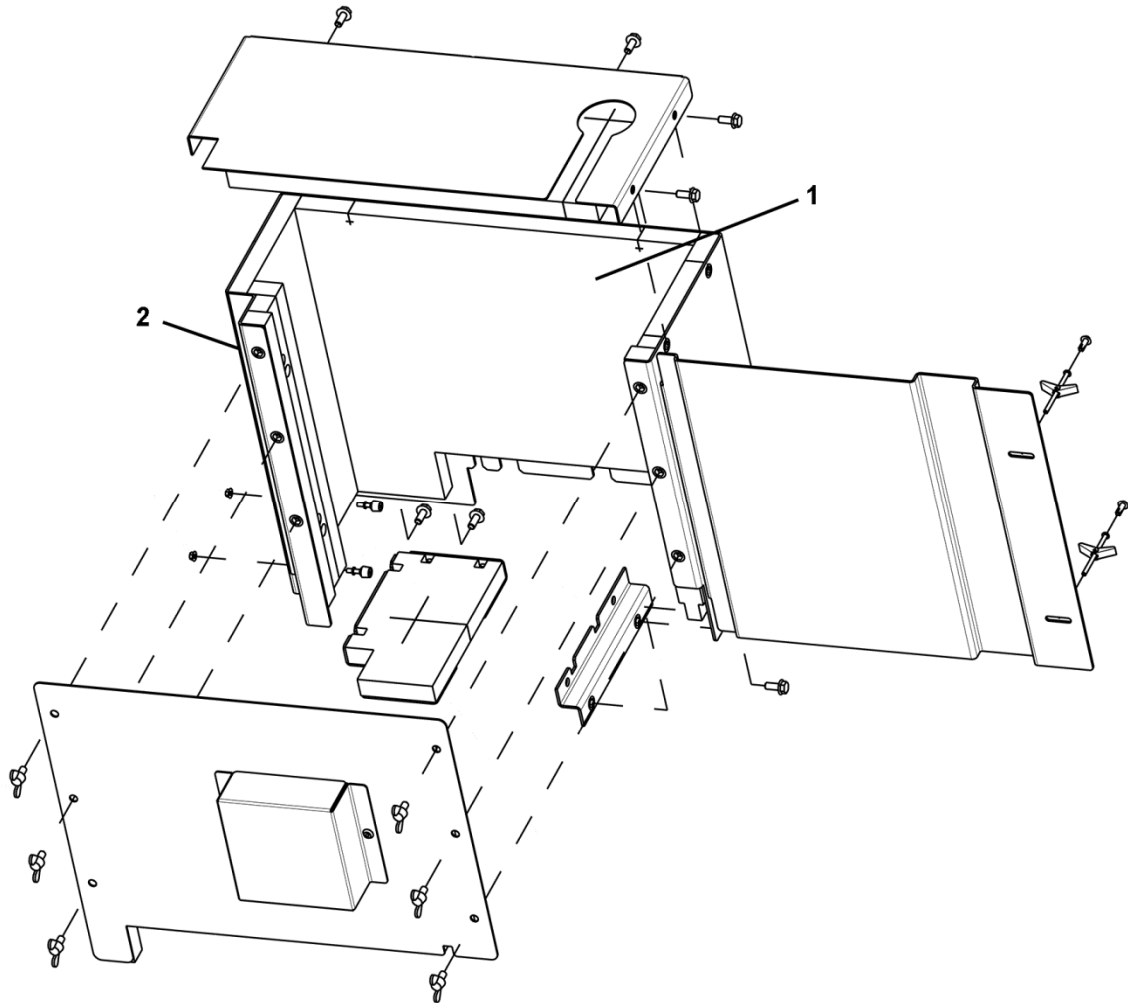
This document lists the lowest replaceable units (LRUs) for the standard version of the product. The LRUs are chosen by a team of Otis associates representing engineering and manufacturing.

While goal of this document is to make parts identification as easy as possible, the document cannot be all-inclusive. Elevator and escalator contracts classified as “special” or “custom” are not addressed here. For such contracts, please refer to specified information, the contract folder, TIPS, Field Education Articles, Construction Letters, etc. for further information.

If you have any suggestions about this document, please contact the subject matter expert listed on this page.

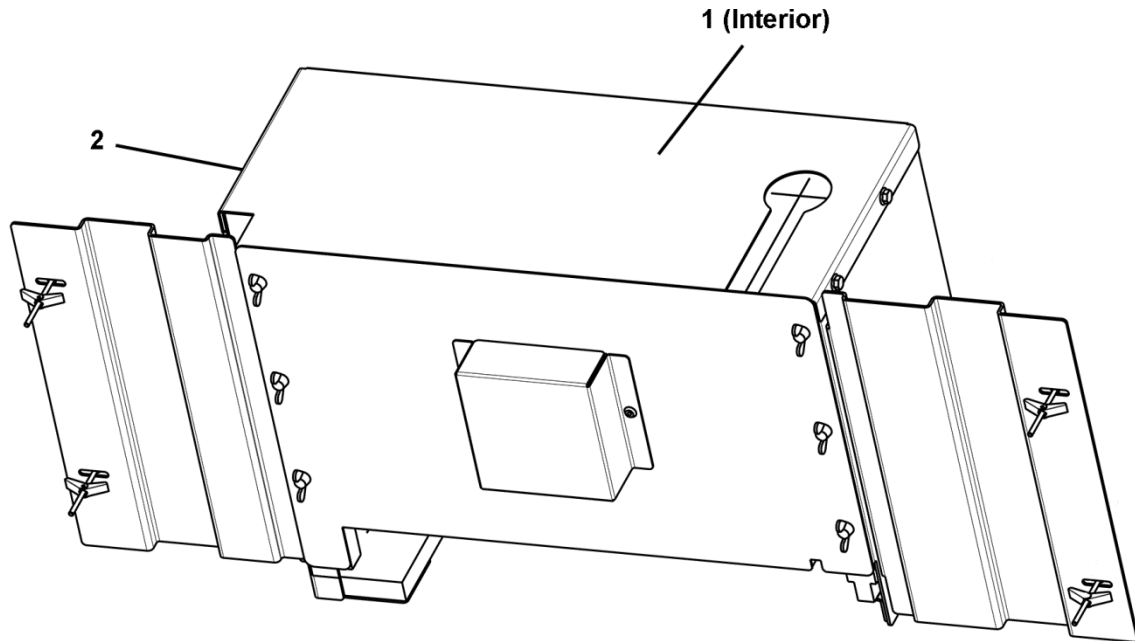
Sound Package

06-AAA285ACJ



AAA285ACJ		
REF. No.	PART No.	DESCRIPTION
1	AAA418AN3	Foam, Sound Isolating, Back Panel (shown) See NOTE for replacing other foam sections
	AAA418AN14	Foam, Sound Isolating, Back Panel (opposite) See NOTE for replacing other foam sections
2	AAA285ACJ1	Package, Sound, Passenger Duty (shown)
	AAA285ACJ2	Package, Sound, Passenger Duty (opposite)

NOTE: To replace foam sections other than back panel, order ref. 2 and cut to fit on site.



AAA285ACJ		
REF. No.	PART No.	DESCRIPTION
1	AAA418AN24	Foam, Sound Isolating, Back Panel (shown) See NOTE for replacing other foam sections
	AAA418AN29	Foam, Sound Isolating, Back Panel (opposite) See NOTE for replacing other foam sections
2	AAA285ACJ3	Package, Sound, Service Duty (shown)
	AAA285ACJ4	Package, Sound, Service Duty (opposite)

NOTE: To replace foam sections other than the back panel, order ref. 2 and cut to fit on site.