

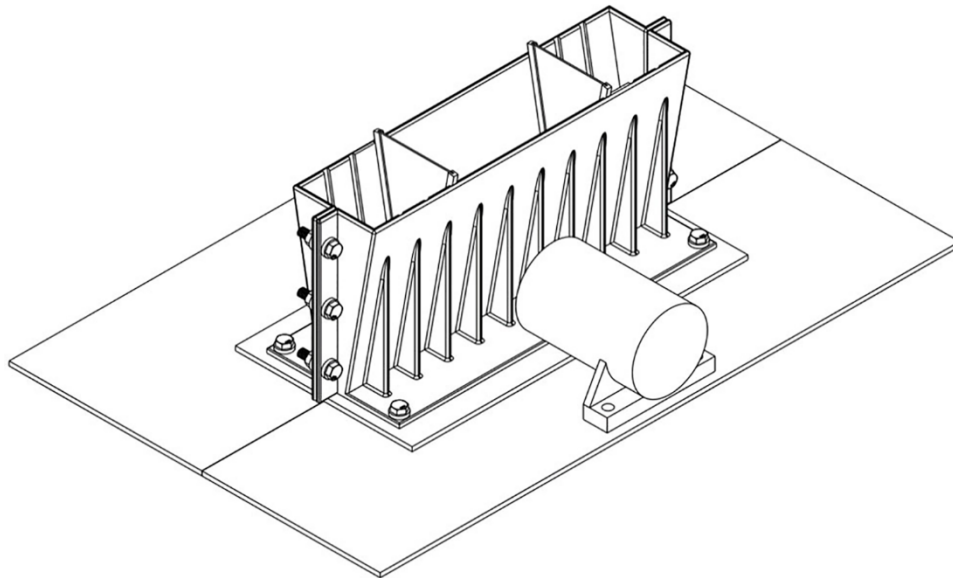
**Florideal Application Device
25T (SM260),
41T (SM400)
Gearless Machines**

Spare Parts Leaflet

06-AAA29515P

March 31, 2021 / Page 1 of 3

06	AAA29515P
06	AAA29515Q



OTIS

This document does not contain any
technical data subject to EAR or ITAR

**SERVICE ENGINEERING
Otis Elevator Company
Bloomfield, Connecticut USA**

Unpublished Work—© Otis Elevator Co.; 2021

Leaflet Description

This leaflet provides spare part information for the Florideal powder application devices. These devices were specifically designed to fit the 25T, 41T Skymotion machines. The devices are intended to temporarily mount on the machine bedplate and apply Florideal powder. This powder is used to absorb excess lubricant. These devices are used on 25T (SM260) and 41T (SM400) machines only.

Leaflet Revisions

Date Revised	Subject Matter Expert	Reason for Revision
March 31, 2021	Gary Mendrala	New SPL

Related Drawings

Drawing No.	Title	Drawing No.	Title
AAA29515P	Florideal applicator for 25T (SM260) gearless machine	AAA29515Q	Florideal applicator for 41T (SM400) gearless machine
AAA515P	Florideal powder		

Related Documents

Document ID	Title
TIP 11.0-16	<i>Florideal Powder Dispenser for 25T (SM260), 41T (SM400) Gearless Machines</i>

Subject Matter Expert

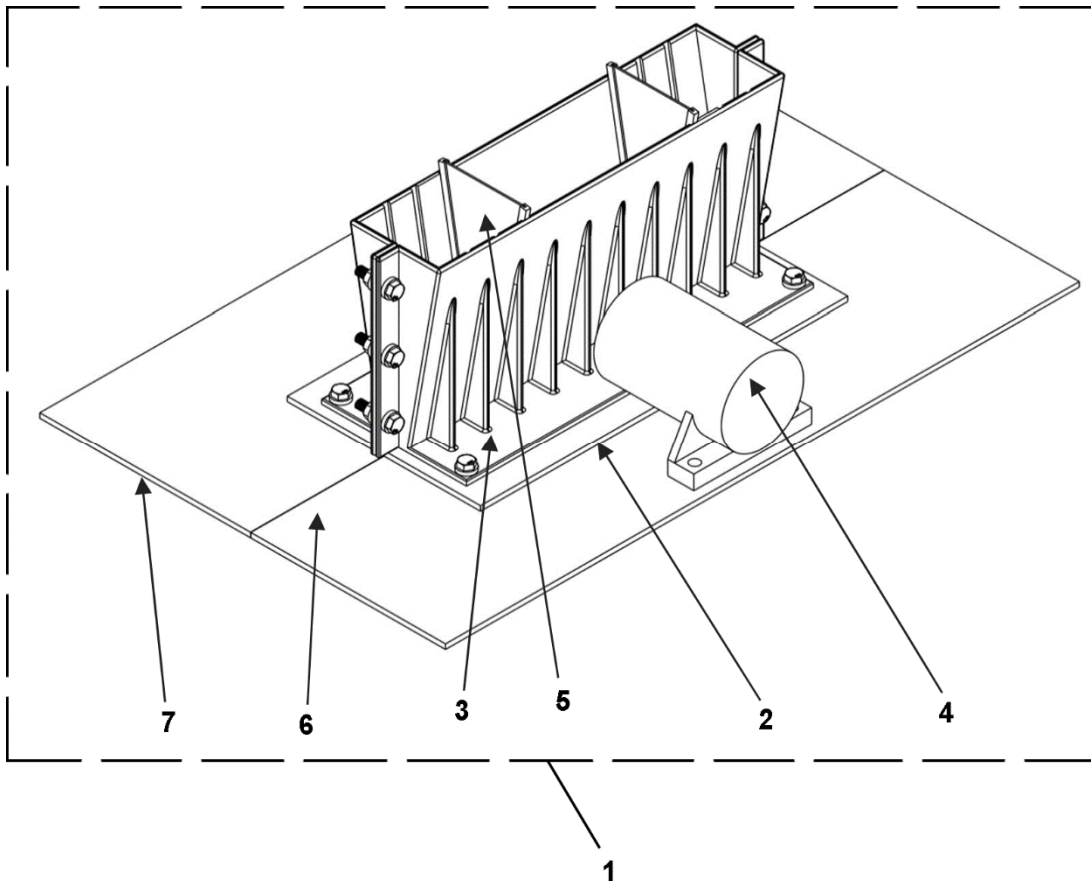
Name	Department
Gary Mendrala/ Jim Hubbard	OSC, OECF Engineering

About Spare Parts Leaflets...

This document lists the lowest replaceable units (LRUs) for the standard version of the product. The LRUs are chosen by a team of Otis associates representing engineering and manufacturing.

While goal of this document is to make parts identification as easy as possible, the document cannot be all-inclusive. Elevator and escalator contracts classified as “special” or “custom” are not addressed here. For such contracts, please refer to specified information, the contract folder, TIPs, Field Education Articles, Construction Letters, etc. for further information.

If you have any suggestions about this document, please contact the subject matter expert listed on this page.



REF. NO.	PART NUMBER		DESCRIPTION
	AAA29515P 25T SM260	AAA29515Q 41T SM400	
1	AAA29515P1	AAA29515Q1	Assembly, Florideal Application Device
2	AAA29510P20	AAA29515Q10	Felt (2 required)
3	AAA285AEL1	AAA285AEP1	Funnel (2 required)
4	AAA29510P10		Motor
5	AAA316KXE1	AAA316KZD1	Panels, Side (2 required)
6	AAA29515P30	AAA29515Q30	Panel, Wood Base (motor side)
7	AAA29530P40	AAA29515Q20	Panel, Wood Base
*	AAA515P1		Powder, Florideal 11 lb.
	AAA515P2		Powder, Florideal 44 lb.

* Part not shown.