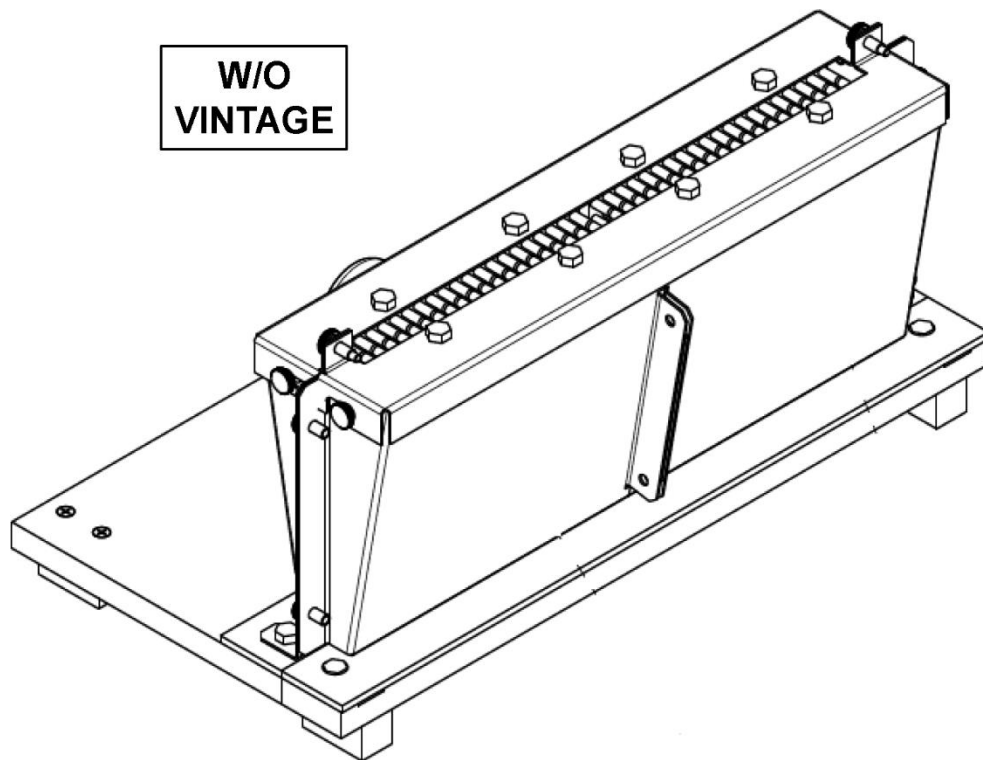


**Florideal Application Device
25T (SM260),
41T (SM400)
Gearless Machines**

Spare Parts Leaflet

06-AAA29515R

June 14, 2023 / Page 1 of 3



OTIS

This document does not contain any
technical data subject to EAR or ITAR

**SERVICE ENGINEERING
Otis Elevator Company
Bloomfield, Connecticut USA**

Unpublished Work—© Otis Elevator Co.; 2023

Leaflet Description

This leaflet provides spare part information for the Florideal powder application devices. These devices were specifically designed to fit the 25T, 41T SkyMotion machines. The devices are intended to temporarily mount on the machine bedplate and apply Florideal powder. This powder is used to absorb excess lubricant. These devices are used on 25T (SM260) and 41T (SM400) machines only.

Leaflet Revisions

Date Revised	Subject Matter Expert	Reason for Revision
June 14, 2023	Jim Hubbard	New SPL

Related Drawings

Drawing No.	Title	Drawing No.	Title
AAA29515R	Florideal applicator for 25T (SM260) and 41T (SM400) gearless machines	AAA515P	Florideal powder

Related Documents

Document ID	Title
TIP 11.0-16	<i>Florideal Powder Dispenser for 25T (SM260), 41T (SM400) Gearless Machines</i>

Subject Matter Expert

Name	Department
Gary Mendrala / Jim Hubbard	OSC, OECF Engineering

About Spare Parts Leaflets...

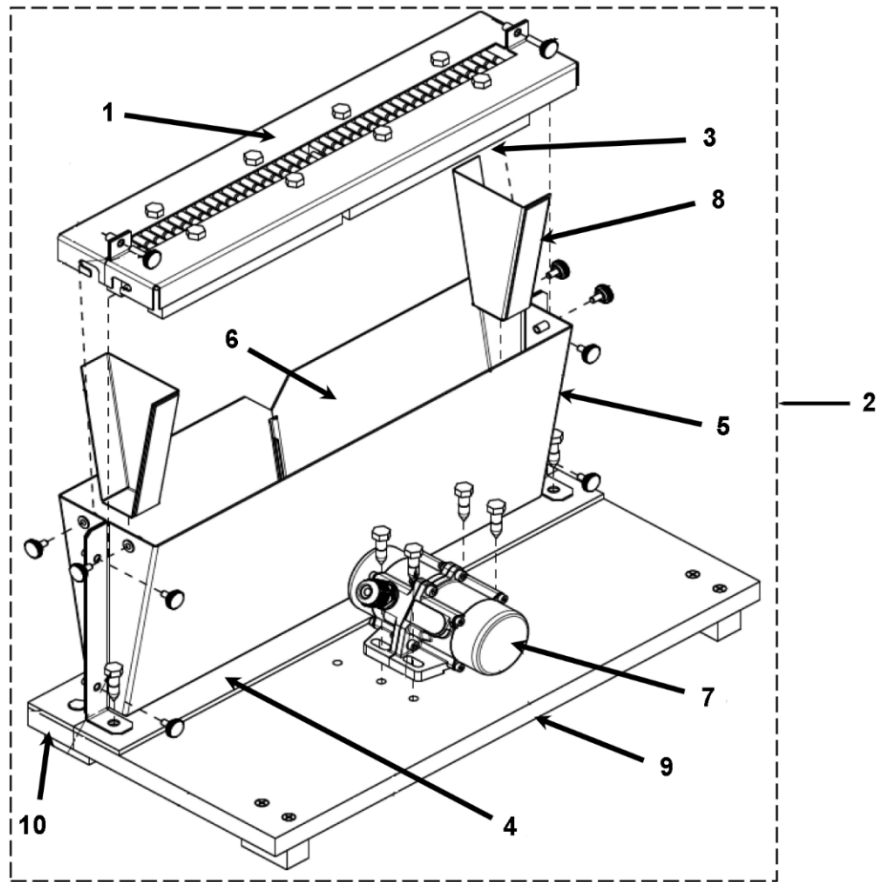
This document lists the lowest replaceable units (LRUs) for the standard version of the product. The LRUs are chosen by a team of Otis associates representing engineering and manufacturing.

While goal of this document is to make parts identification as easy as possible, the document cannot be all-inclusive. Elevator and escalator contracts classified as "special" or "custom" are not addressed here. For such contracts, please refer to specified information, the contract folder, TIPs, Field Education Articles, Construction Letters, etc. for further information.

If you have any suggestions about this document, please contact the subject matter expert listed on this page.

Floridaal Application Device

06-AAA29515R



W/O VINTAGE			
25T SM260		41T SM400	
REF. NO.	PART NUMBER		DESCRIPTION
1	AAA285AFK1		Assembly, Cover
2	AAA29515R2	AAA29515R1	Assembly, Floridaal Application Device (see NOTE 2)
3	AAAA285AFK3		Brush
4	AAA488R2	AAA488R1	Felt (2 required)
5	AAA316LEH7	AAA316LEH1	Funnel, Front (1 required)
6	AAA316LEH9	AAA316LEH3 AAA316LEH5	Funnel, Rear (1 each required)
7	AAA20257F2		Motor
8	AAA316LEG1		Panels, Side (2 required)
9	AAA105WN11	AAA105WN1	Panel, Base, Motor Side
10	AAA105WN12	AAA105WN2	Panel, Base, Rear
NOTE 1	AAA515P1		Powder, Floridaal 11 lb.
	AAA515P2		Powder, Floridaal 44 lb.

NOTE 1: Part not shown.

NOTE 2: AAA29515R2 replaces AAA29515P1. AAA29515R1 replaces AAA29515Q1.