

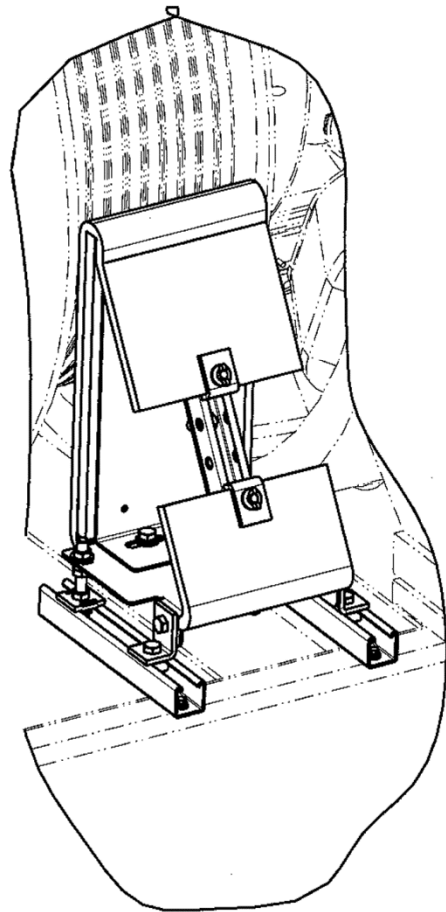
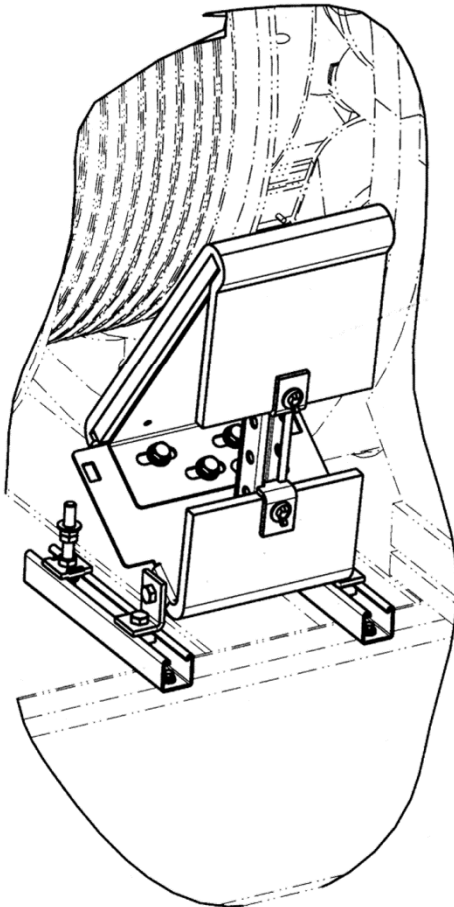
**Rope Cleaning Device
for 30T Machine**

Spare Parts Leaflet

06-AAA384AJN

October 19, 2011 / Page 1 of 3

**W/O
VINTAGE**



OTIS

**SERVICE ENGINEERING
Otis Elevator Company
Bloomfield, Connecticut USA**

Leaflet Description

This rope cleaning device has been designed by OSC specifically for the 30T machines installed in NSAA.

Leaflet Revisions

Date Revised	Subject Matter Expert	Reason for Revision
October 19, 2011	Val Sheynkman	New SPL

Related Drawings

Drawing No.	Title	Drawing No.	Title
AAA384ANK	Guard, Carpet, Wiper Arrangement (contains installation instructions)		

Related Documents

Document ID	Title
06-JAA20226AAA	30T Machine
CI 16-05-007	Rope Lubricator and Carpet Wiper Installation Instructions for 30T machine

Subject Matter Expert

Name	Department
Val Sheynkman	Service Engineering, OSC

About Spare Parts Leaflets...

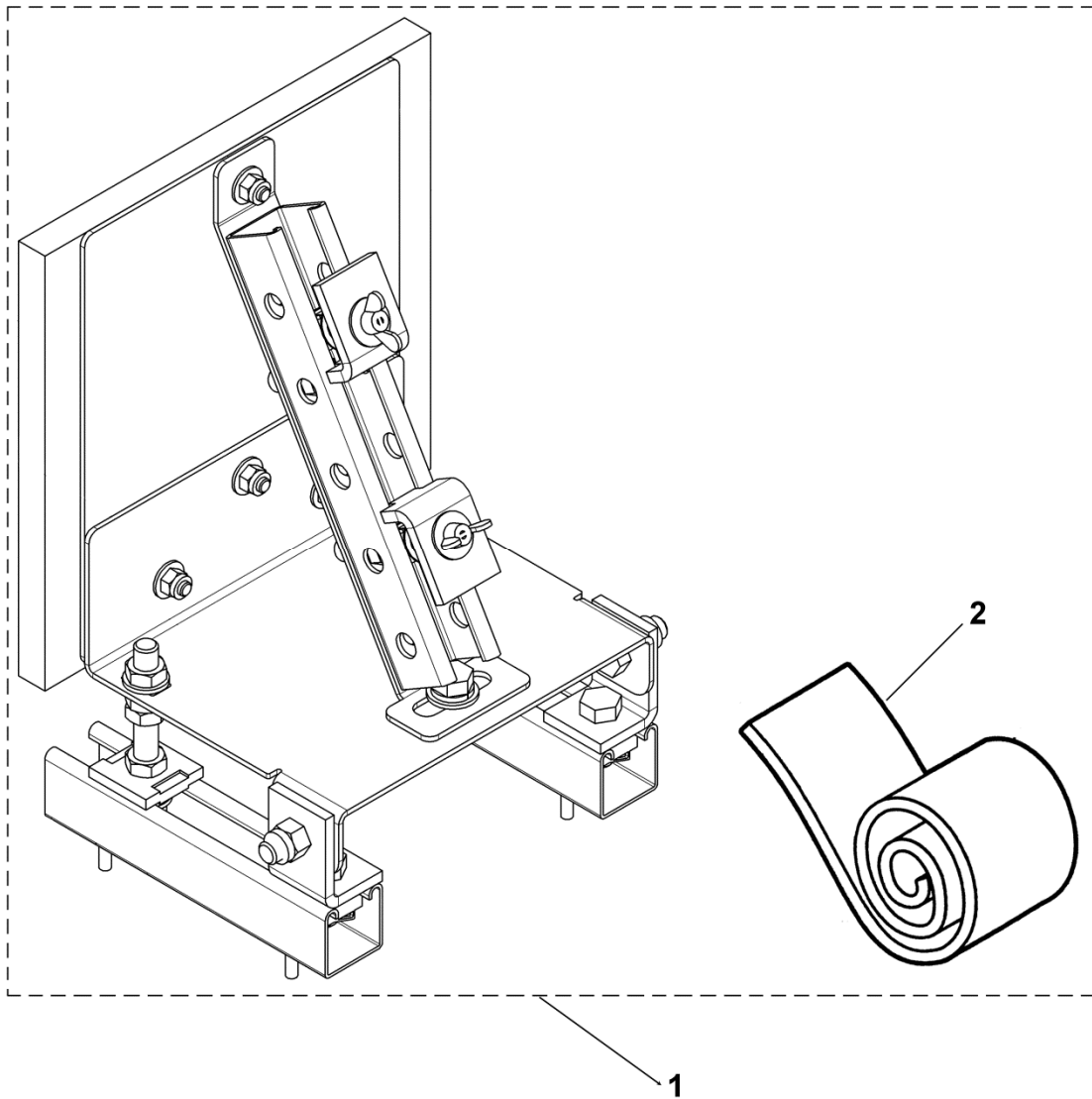
This document lists the lowest replaceable units (LRUs) for the standard version of the product. The LRUs are chosen by a team of Otis associates representing engineering and manufacturing.

While goal of this document is to make parts identification as easy as possible, the document cannot be all-inclusive. Elevator and escalator contracts classified as “special” or “custom” are not addressed here. For such contracts, please refer to specified information, the contract folder, TIPs, Field Education Articles, Construction Letters, etc. for further information.

If you have any suggestions about this document, please contact the subject matter expert listed on this page.

Rope Cleaning Device for 30T Machine

06-AAA384AJN



REF. No.	PART No.	DESCRIPTION
1	AAA384AJN8	Assembly, Rope Cleaning Device* (see note)
2	AAA297AY6	Strip, Carpet

***NOTE:** For installation instructions, refer to CI 16-05-007 on the New Equipment community of the Planet Otis portal or call OSC Customer Service (800-600-6847) for drawing AAA384ANK.