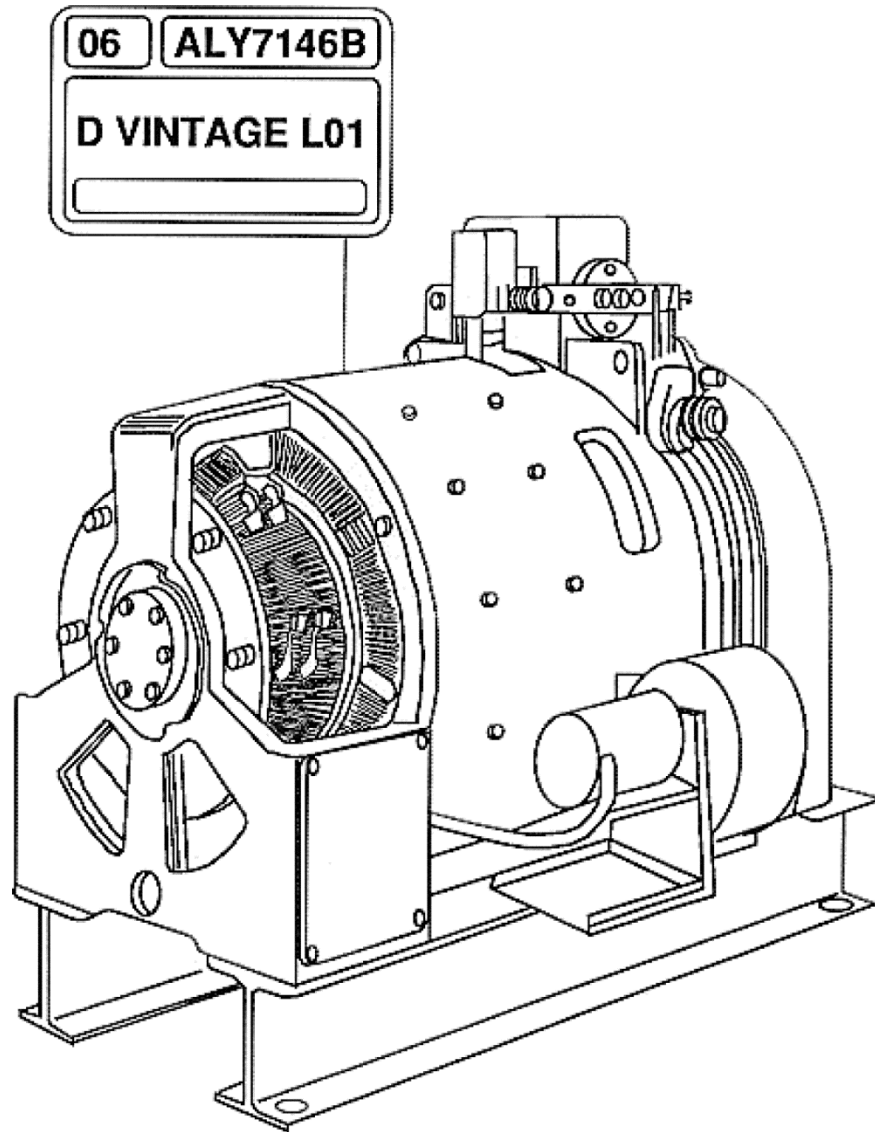


**Machine Gearless DC
139HT (China)**

**Spare Parts Leaflet
06-ALY7146B**

June 21, 2023 / Page 1 of 6



OTIS

This document does not contain any technical data subject to EAR or ITAR

**SERVICE ENGINEERING
Otis Elevator Company
Bloomfield, Connecticut USA**

Unpublished Work—© Otis Elevator Co.; 2023

Leaflet Description

This leaflet provides spare parts information for 139HT DC gearless machines. The 139HT gearless machine was manufactured in four different locations. Check vintage data plate on the machine to identify the location of origin.

Leaflet Revisions

Date Revised	Subject Matter Expert	Reason for Revision
January 1994	---	New SPL
April 6, 2016	Gary Mendrala	Updated document template; Added correct p/n 346AMA1
May 19, 2021	Gary Mendrala	Updated sheave descriptions and vintage information
June 21, 2023	Gary Mendrala	Added p/n AAA251BT5 on p. 4

Related Drawings

Drawing No.	Title	Drawing No.	Title

Related Documents

Document ID	Title
SPL 06-7146B	139HT Gearless Machine Yonkers Manufacture
SPL 06-AAA7146E	139HT Gearless Machine Bloomington Manufacture
SPL 06-LY7146B	139HT Gearless machine Liverpool Manufacture

Subject Matter Expert

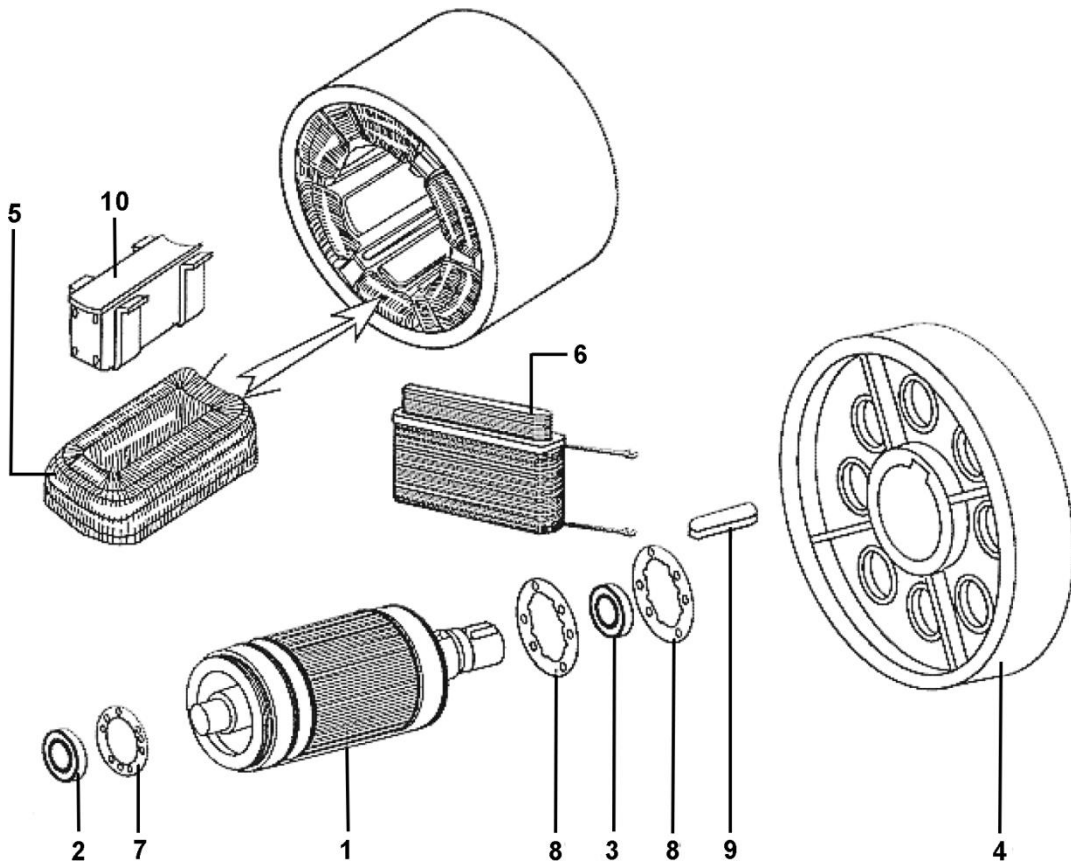
Name	Department
Gary Mendrala	OSC Service Engineering

About Spare Parts Leaflets...

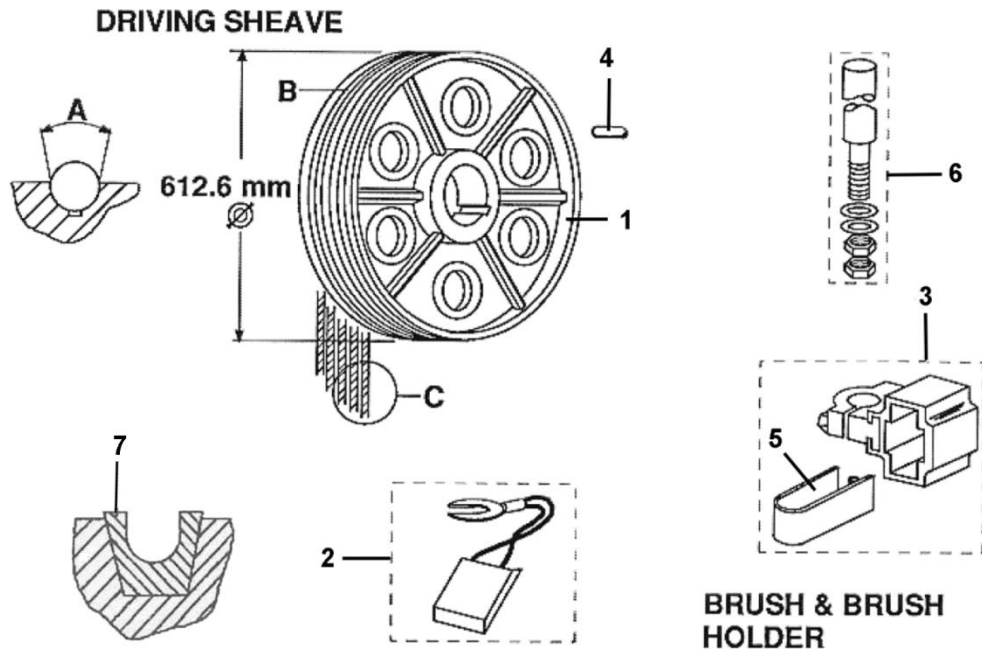
This document lists the lowest replaceable units (LRUs) for the standard version of the product. The LRUs are chosen by a team of Otis associates representing engineering and manufacturing.

While goal of this document is to make parts identification as easy as possible, the document cannot be all-inclusive. Elevator and escalator contracts classified as "special" or "custom" are not addressed here. For such contracts, please refer to specified information, the contract folder, TIPs, Field Education Articles, Construction Letters, etc. for further information.

If you have any suggestions about this document, please contact the subject matter expert listed on this page.

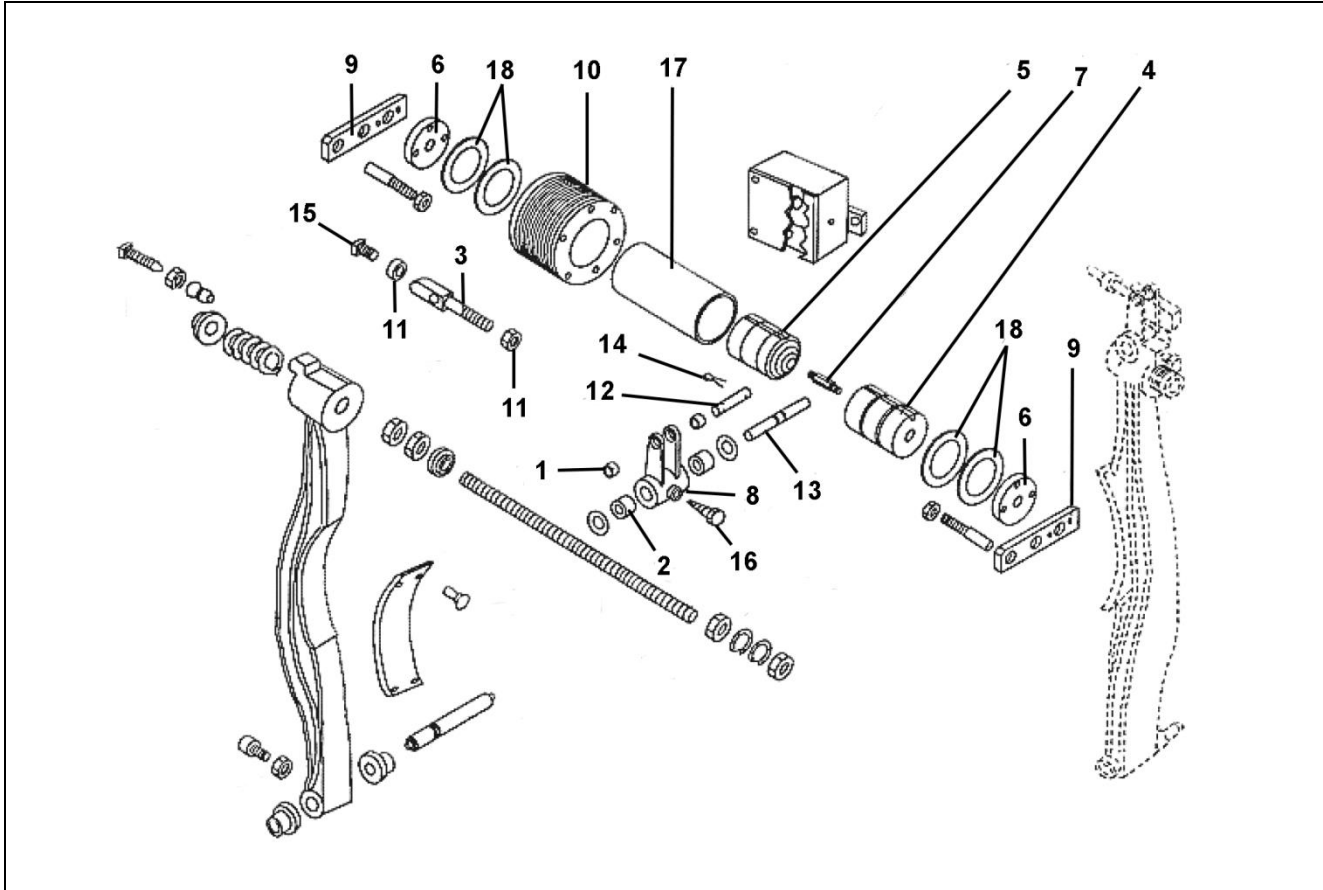


VINTAGE L01		
REF. No.	PART No.	DESCRIPTION
1	DO245D1	Assembly, Armature
2	207Z73	Bearing
3	209G14	Bearing
4	LX198Y2	Brake (Pulley)
5	DO221B1	Coil, Field
6	LX219AS1	Coil, Interpole
7	A376CB2	Gasket
8	376T16	Gasket
9	192G107	Key
10	DX355AY1	Pole Pieces



VINTAGE L01

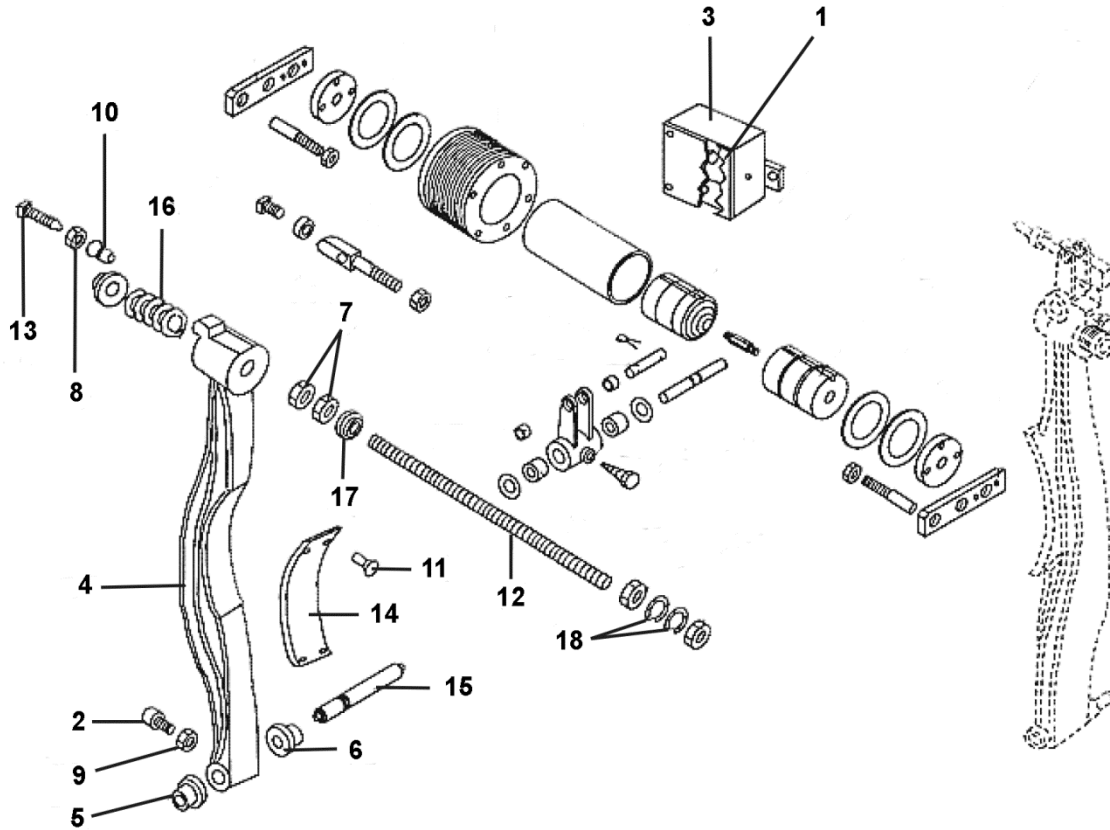
REF No.	PART or M.L.	DESCRIPTION	A: UNDERCUT GROOVE	B: NUMBER of GROOVES	C: ROPE DIA.
1	LX260BY511	Standard Drive Sheave w/ Rim 24 in. Sheave Dia.	105°	6	13 mm 1/2 in. Dia.
	LX260BY510		90°	6	
	LX260BY508		105°	7	
	LX260BY509		90°	7	
	LX260BY503	Standard Drive Sheave w/o Rim 24 in. Sheave Dia.	105°	6	
	LX260BY502		90°	6	
	LX260BY500		105°	7	
	LX260BY501		90°	7	
	LX260BY512	Poly Sheave w/ Rim, 24 in. Sheave Dia.	Poly Insert	6	
	LX260BP502	Poly Sheave w/ Rim, 24 in. Sheave Dia.	Poly Insert	7	
	LX260BY504	Poly Sheave w/o Rim, 24 in. Sheave Dia.	Poly Insert	6	
LX260BY1	Poly Sheave w/o Rim, 24 in. Sheave Dia.	Poly Insert	7		
2	240P8	Brush			
3	DO6134J1	Holder, Brush			
4	LX192D502	Key			
5	DO93E2	Spring Constant Force			
6	GO474D2	Stem, Brush, w/ M12 Nut and Washer			
7	AAA251BT5	Sheave Liner			



VINTAGE L01

REF. No.	PART No.	DESCRIPTION
1	209A6	Bearing, Needle (for lever)
2	209A7	Bearing, Needle (for brake frame)
3	GX65GA501	Bolt
4	LX400DB1	Core, Female
5	LX400DD1	Core, Male
6	346AMA1	Cover, Magnet Core
7	77RG1	Guide, Pin
8	JXB288HX2	Lever
9	LX288NH4	Lever (w/ switch p/n177AP1, not shown)
10	222JA15	Magnet, Coil, Tapped
11	---	Nut, M20 X 1.5
12	LO82J10	Pin
13	LX77LG3	Pin
14	---	Pin, Cotter 3 X 30
15	---	Screw, M20 X 1.5 X 65
16	---	Screw, M10 X 20
17	136R10	Tube, Magnet Core
18	128AG53	Washer

(Continued on next page)



VINTAGE L01

REF. No.	PART No.	DESCRIPTION
1	X5-2005	Board, Terminal (not shown)
2	---	Bolt M16 X 50
3	LO308JV1	Box, Terminal
4	GOA286F2	Brake Lever
5	LO335AH1	Bushing
6	LO335AH2	Bushing
7	---	Nut, M24
8	---	Nut, M20 X 1.5
9	---	Nut, M16
10	81BN2	Pin
11	145C3	Rivet (Lining)
12	LXMCO96A505	Rod
13	---	Screw, M20 X 1.5 X 65
14	GXA416Y1	Shoe, Brake, Lining
15	LXGO77FW500	Spindle, Eccentric
16	90JD11	Spring
17	LX133AD500	Washer
18	---	Washer, M24