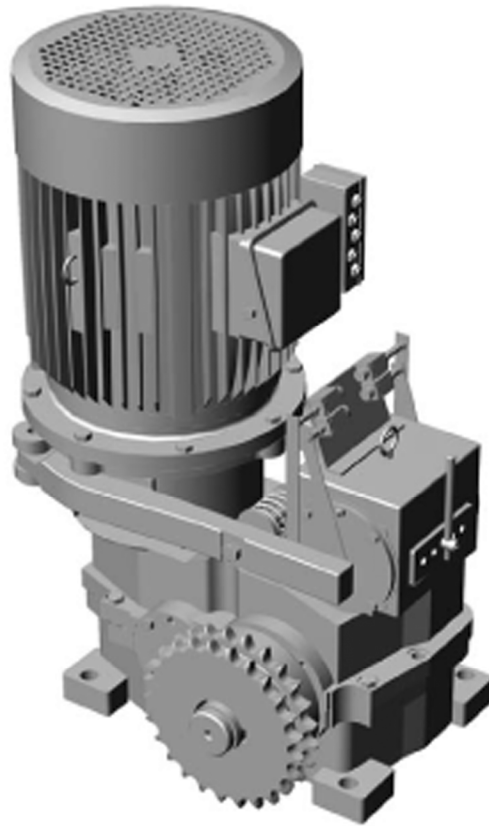


**OCE521 Escalator
Driving Machine**

Spare Parts Leaflet

06-ASA03C241

01/18/2007 / Page 1 of 5



OTIS

**Escalator Department
Otis Elevator Company
Changwon, Korea**

Leaflet Description

OCE521 Escalator Driving Machine

Leaflet Revisions

Date Revised	Subject Matter Expert	Reason for Revision
December 1, 2005		Release
January 18, 2007		Addition of Brake Solenoid Assembly

Related Drawings

Drawing No.	Title	Drawing No.	Title
CSA00C320	DM List		

Related Documents

Document ID	Title
BOM	

Subject Matter Expert

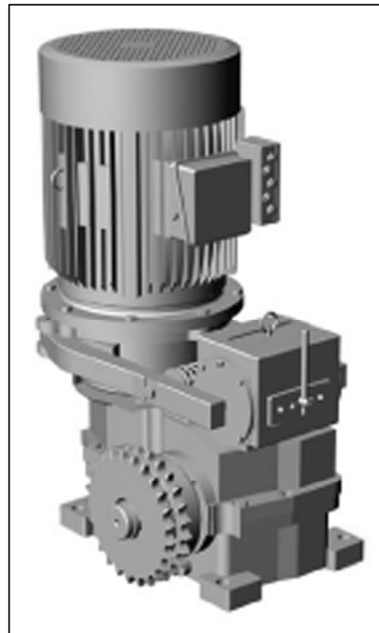
Name	Department

About Spare Parts Leaflets...

This document lists the lowest replaceable units (LRUs) for the standard version of the product. The LRUs are chosen by a team of Otis associates representing engineering and manufacturing.

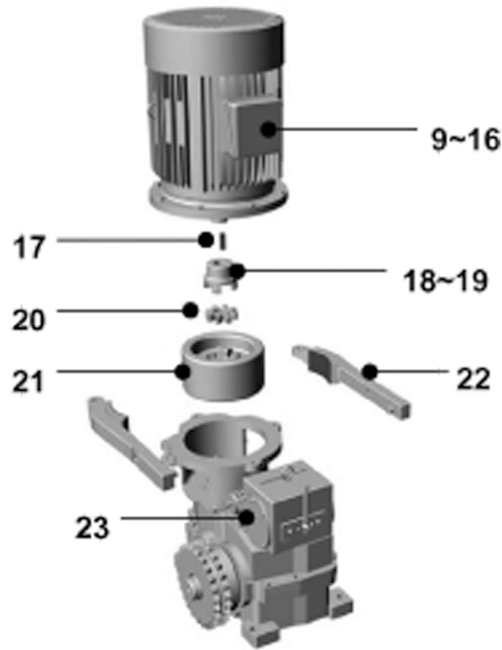
While goal of this document is to make parts identification as easy as possible, the document cannot be all-inclusive. Elevator and escalator contracts classified as "special" or "custom" are not addressed here. For such contracts, please refer to specified information, the contract folder, TIPs, Field Education Articles, Construction Letters, etc. for further information.

If you have any suggestions about this document, please contact the subject matter expert listed on this page.

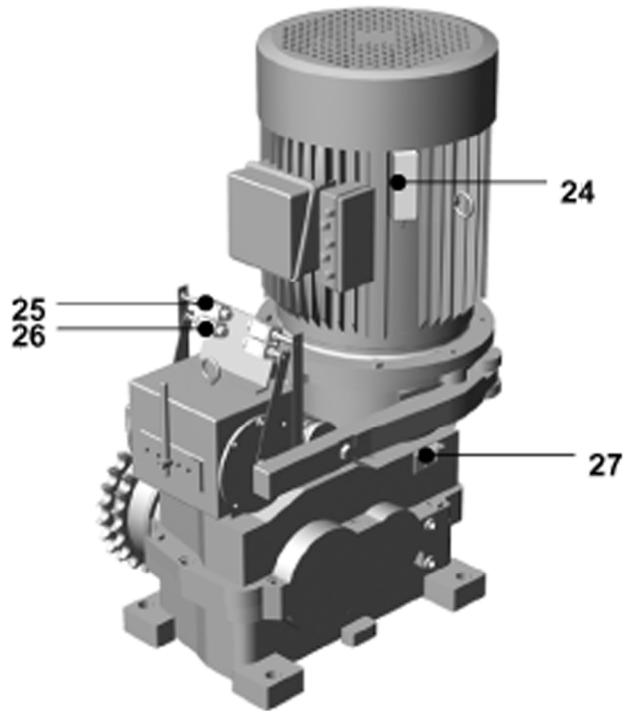


1-8

W/O VINTAGE		
REF. No.	PART No.	DESCRIPTION
1	ASA01A614A	7.5 kW DM ASY, 200~220 V 60 Hz, #80-2, w/o s/w options
2	ASA01A614B	7.5 kW DM ASY, 230 60 Hz, #80-2, w/o s/w options
3	ASA01A614C	7.5 kW DM ASY, 440~480 V 60 Hz, #80-2, w/o s/w options
4	ASA01A614D	7.5 kW DM ASY, 575~600 V 60 Hz, #80-2, w/o s/w options
5	ASA01A614E	9.5 kW DM ASY, 200~220 V 60 Hz, #100-2, w/o s/w options
6	ASA01A614F	9.5 kW DM ASY, 230 V 60 Hz, #100-2, w/o s/w options
7	ASA01A614G	9.5 kW DM ASY, 440~480 V 60 Hz, #100-2, w/o s/w options
8	ASA01A614H	9.5 kW DM ASY, 575~600 V 60 Hz, #100-2, w/o s/w options



		W/O VINTAGE
REF. No.	PART No.	DESCRIPTION
9	ASA02C144A	Motor (ASME/CSA, 7.5 kW, 60 Hz, 200~220 V)
10	ASA02C144B	Motor (ASME/CSA, 7.5 kW, 60 Hz, 230 V)
11	ASA02C144C	Motor (ASME/CSA, 7.5 kW, 60 Hz, 440~480 V)
12	ASA02C144D	Motor (ASME/CSA, 7.5 kW, 60 Hz, 575~600 V)
13	ASA03C509A	Motor (ASME/CSA, 9.5 kW, 60 Hz, 200~220 V)
14	ASA03C509B	Motor (ASME/CSA, 9.5 kW, 60 Hz, 230 V)
15	ASA03C509C	Motor (ASME/CSA, 9.5 kW, 60 Hz, 440~480 V)
16	ASA03C509D	Motor (ASME/CSA, 9.5 kW, 60 Hz, 575~600 V)
17	4L09475A	Key
18	ASA01C326A	Coupling, for 7.5 kW Motor
19	ASA01C325A	Coupling, for 9.5 kW Motor
20	3R71947B	Spider
21	CSA00C058	Brake Drum
22	CSA00C230	Brake Lever ASSY, not pair
23	CSA00C250	Coil ASSY, not pair



W/O VINTAGE		
REF. No.	PART No.	DESCRIPTION
24	CSA00C331A	Fan Cover Switch, w/o bracket
25	ASA00D603D	Brake Wear Switch, w/o bracket
26	ASA00D603D	Brake Opening Switch, w/o bracket
27	4L06031A	Speed Sensor, w/o bracket