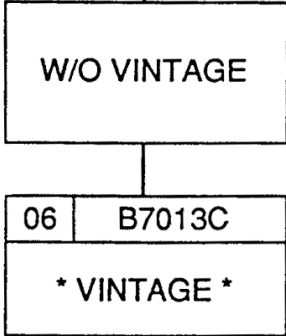
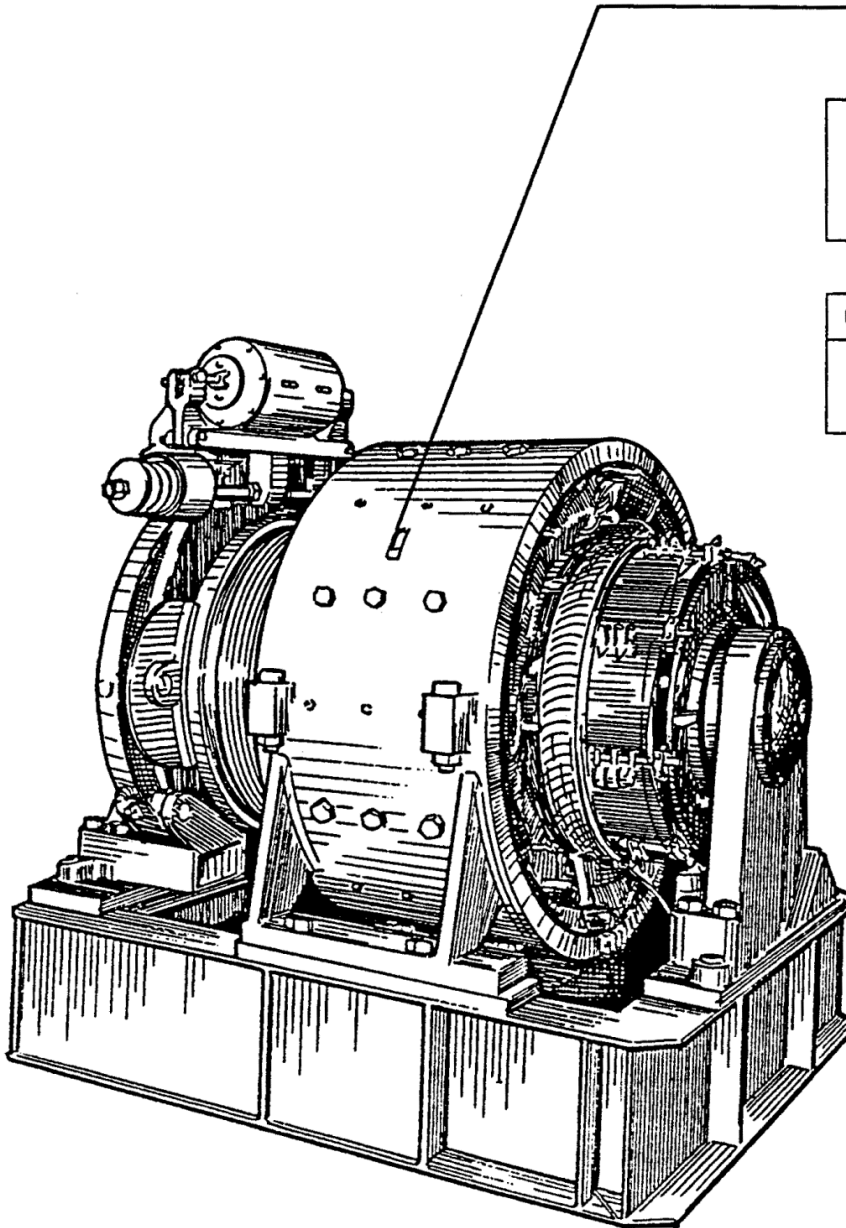


# 269HT Machine

**Spare Parts Leaflet**

**06-B7013C**

**June 21, 2023 / Page 1 of 17**



# OTIS

This document does not contain any technical data subject to EAR or ITAR

**SERVICE ENGINEERING**  
**Otis Elevator Company**  
**Bloomfield, Connecticut USA**

Unpublished Work—© Otis Elevator Co.; 2023

**Leaflet Description**

This leaflet provides spare parts information for 269HT type machines.

**Leaflet Revisions**

<b>Date Revised</b>	<b>SME</b>	<b>Reason for Revision</b>
May 1994	Val Sheynkman	New SPL
February 24, 2016	Gary Mendrala	Updated parts list on p. 10; Updated document template
May 25, 2016	Gary Mendrala	Added flat identity for drive sheaves
August 31, 2016	Gary Mendrala	Added deflector and secondary sheave assemblies
May 24, 2017	Gary Mendrala	Updated Related Documents list on history page
October 10, 2018	Gary Mendrala	Added brake switch kit information
July 1, 2020	Gary Mendrala	Added p/ns 346ACX2 and 376EE2 to p. 12
January 20, 2021	Gary Mendrala	Added brake arm p/n A286H4 p. 12
June 23, 2021	Gary Mendrala	Added p/n 335H29 on p. 13
May 24, 2023	Gary Mendrala	Updated reference numbers on p. 13
June 21, 2023	Gary Mendrala	Added p/n AAA251CD12 on p. 9

**Related Drawings**

<b>Drawing No.</b>	<b>Title</b>	<b>Drawing No.</b>	<b>Title</b>
B7013C	269HT	D6939E	269HT Secondary Sheave Assembly
6939F	269HT Deflector		

**Related Documents**

<b>Document ID</b>	<b>Title</b>
SPL 06-AAA21430E	Encoders for Gearless Mod Machines
TIP 6.1.0-16	Correcting Clamp Noise (Clunking) on 219HT and 269HT Machines
TIP 6.1.0-4	72, 219HT, and 269HT Machine Noise When Running Full Speed
TIP 6.0-16	Machine Brake Installation Kit
TIP 6.0-1	Replacement of Brake Linings

**Subject Matter Expert**

<b>Name</b>	<b>Department</b>
Gary Mendrala	OSC Service Engineering

**About Spare Parts Leaflets...**

This document lists the lowest replaceable units (LRUs) for the standard version of the product. The LRUs are chosen by a team of Otis associates representing engineering and manufacturing. While goal of this document is to make parts identification as easy as possible, the document cannot be all-inclusive. Elevator and escalator contracts classified as "special" or "custom" are not addressed here. For such contracts, please refer to specified information, the contract folder, TIPs, Field Education Articles, Construction Letters, etc. for further information. If you have any suggestions about this document, please contact the subject matter expert listed on this page.

# History

**06-B7013C**

To order a machine provide the following information  
Renseignements á fournir pour commander une machine  
Für die Bestellung einer maschine. Werden folgende Anagaben benotigt  
Per ordinate una macchina formire le sequenti informazioni  
El pedido de un tractor debe incluir la siguiente información

Type of machine  
Type de machine  
Maschinen type  
Tipo de machina  
Tipo de tractor

**269HT**

Serial number  
Número de serie  
Serie n nummer  
Numero di serie  
Número serial

**1**

Sales number  
Numero de contrat  
Verkaufsnummer  
Numero di commessa  
Número de ventas

**2**

Type of motor  
Type de moteur  
Motortype  
Tipo di motore  
Tipo de motor

**3**

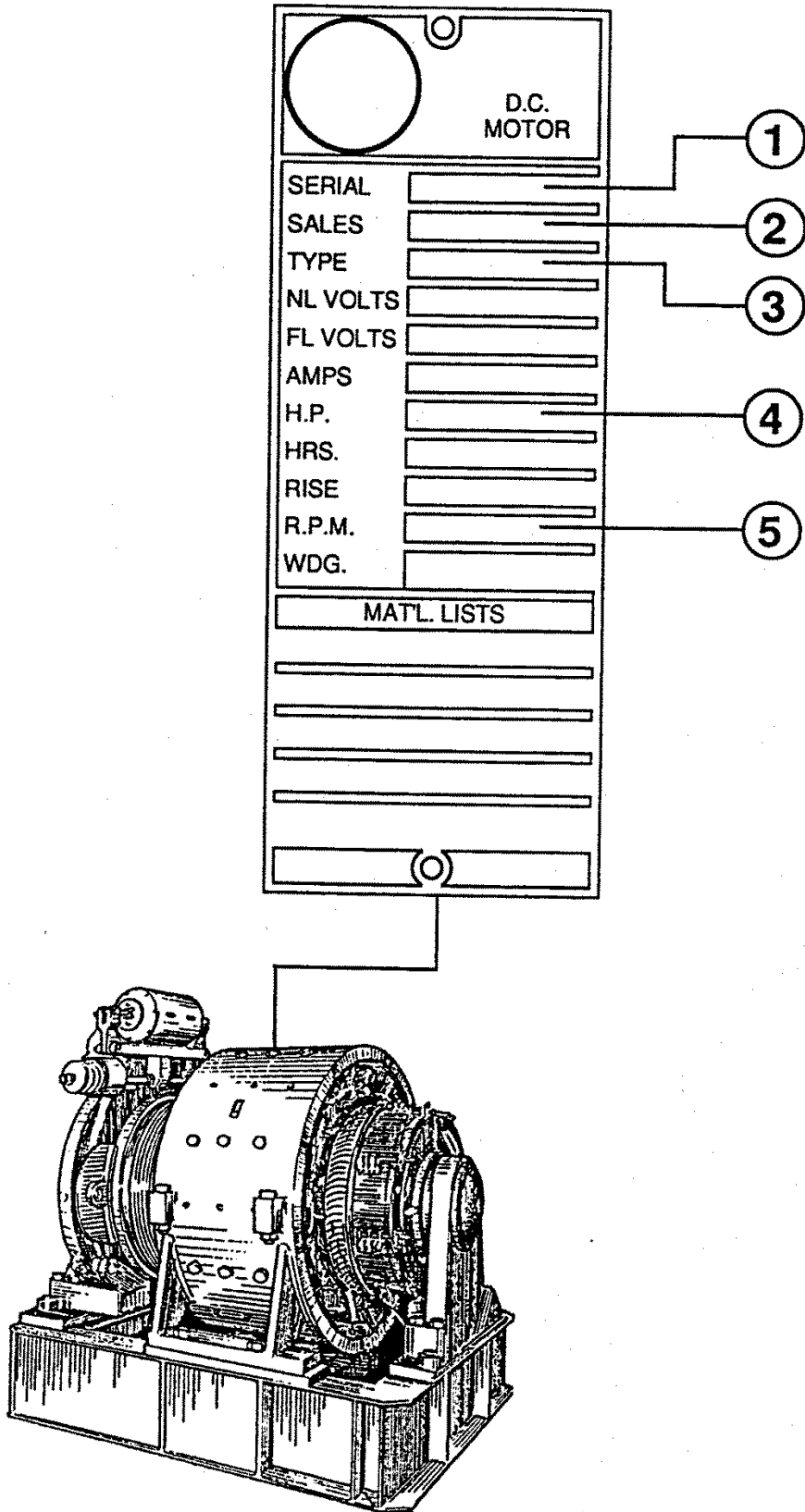
H.P.  
C.V.  
P.S.  
H.P. (cavalli vapore)  
C.V.

**4**

R.P.M.  
Tours/min  
U.p.M (Undrehungen pro Minute)  
Giri al minuto  
R.p.m.

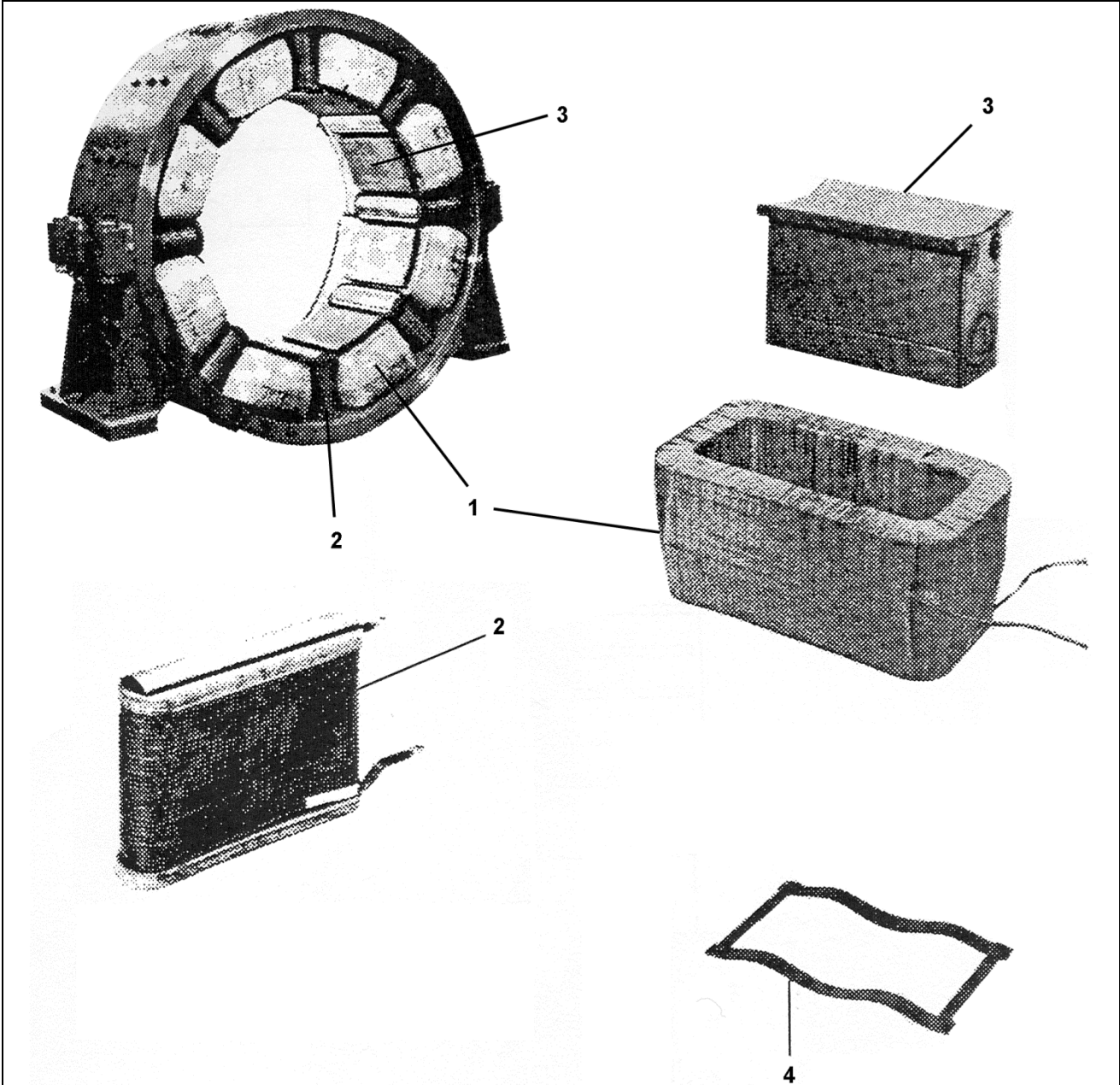
**5**

# History



# Field Coils

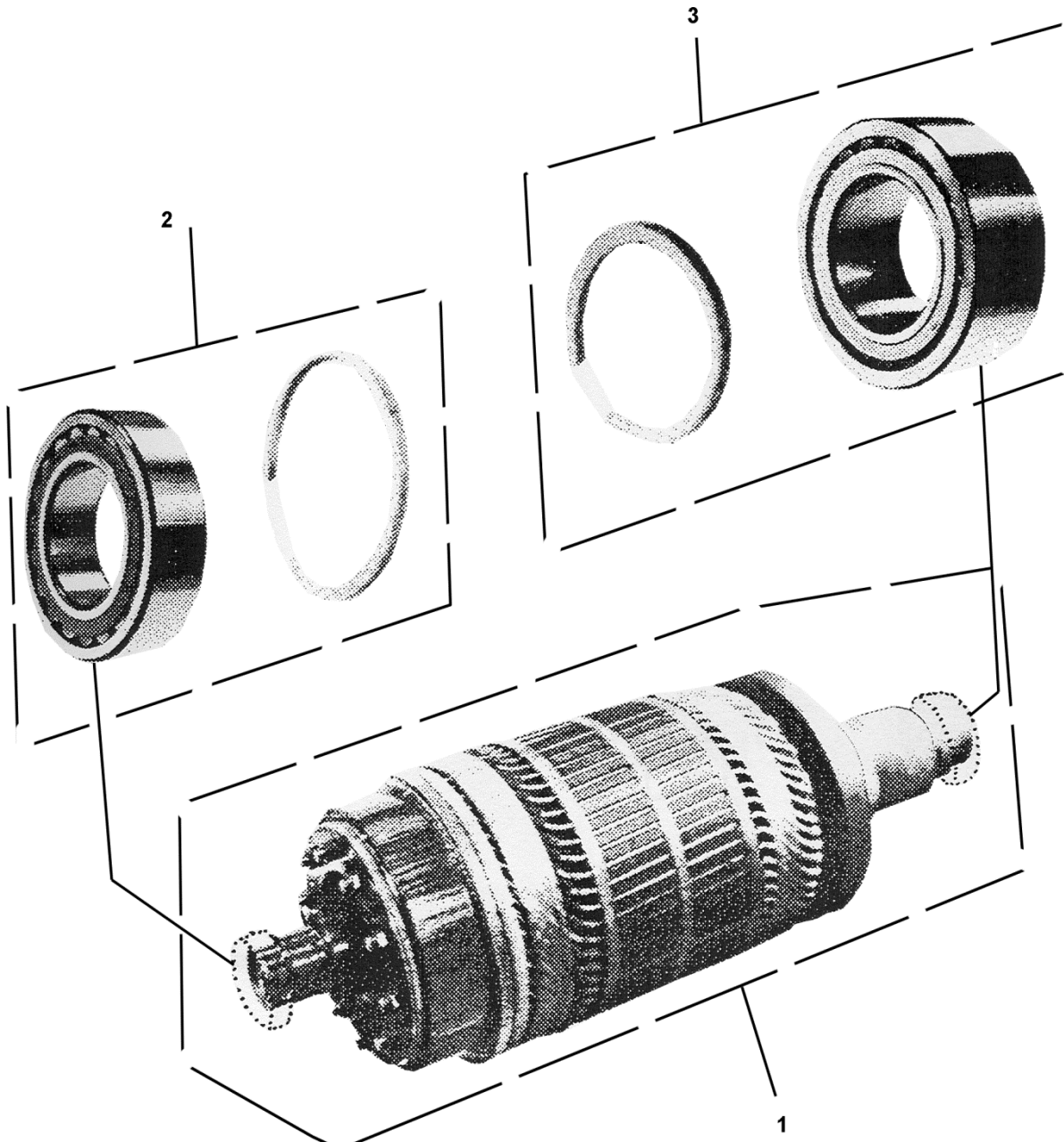
**06-B7013C**



<b>W/O VINTAGE &amp; VINTAGE Y 01</b>					
<b>REF. No.</b>	<b>PART No.</b>	<b>DESCRIPTION</b>			
1	221BV1	Field Coils, <table border="1" style="display: inline-table; vertical-align: middle;"><tr><td>ORDER</td></tr><tr><td> </td></tr><tr><td> </td></tr></table> Set of 8	ORDER		
ORDER					
2	219AN1	Interpole Coils, <table border="1" style="display: inline-table; vertical-align: middle;"><tr><td>ORDER</td></tr><tr><td> </td></tr><tr><td> </td></tr></table> Set of 8	ORDER		
ORDER					
3	355AL1	Pole Piece			
4	93DH1	Spring			

**06-B7013C**

# Armature Assembly

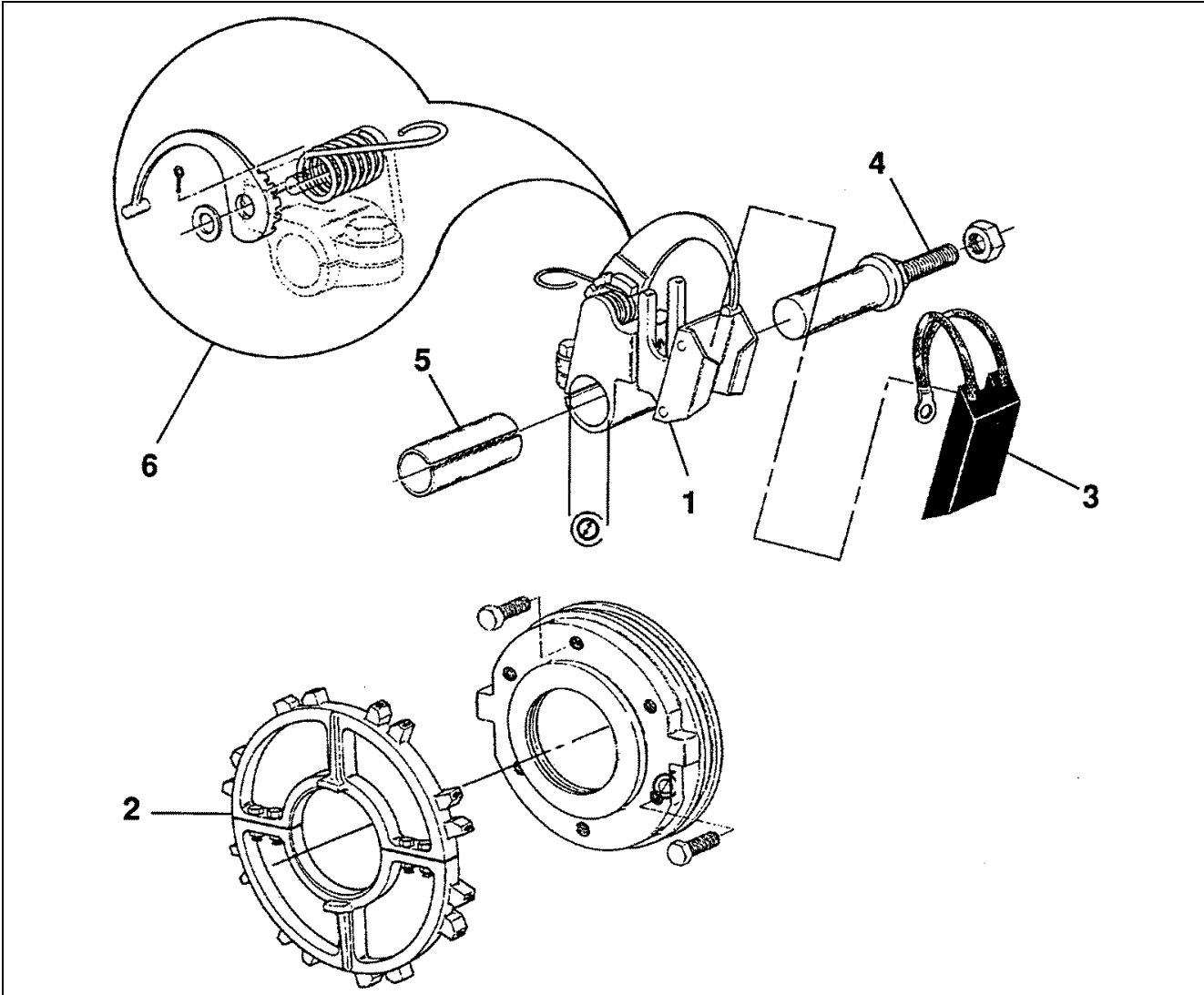


**W/O VINTAGE &  
VINTAGE Y 01**



<b>REF. No.</b>	<b>PART No.</b>	<b>DESCRIPTION</b>
1	2063J2	Assembly, Armature (call spare lending)
2	2700CBA1	Kit, Bearing, Commutator Side
3	2700CBA2	Kit, Bearing, Sheave Side

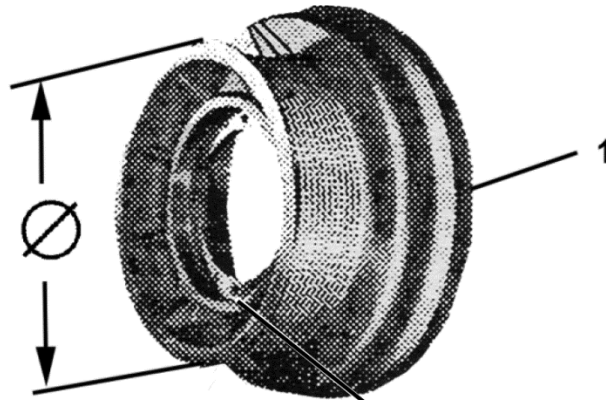
# Brush Holders and Parts

**06-B7013C**





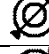
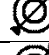
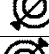


**W/O VINTAGE & VINTAGE Y 01**

REF. No.	PART No.	DESCRIPTION
1	6134H1	Assembly, Brush Holder,  0.877 in.
	6134H2	Assembly, Brush Holder,  0.902 in.
2	172JP2	Assembly, Brush Ring
3	240T1	Brush
	240T5	
	240T9	
	AAA240AR201	
4	474H10	Brush Stem
5	298DF129	Insulator, (for 6134H2 brush holder)
6	2700CAR19	Kit, Includes: (1) Spring p/n 92A4, (1) Arm p/n 288CD4, (1) Washer p/n 128AF12, and (1) Cotter Pin 1/16 x 1/2



Casting Number  
 1P-261Y (liner application)  
 690-SH-1 (round grooves)

**NOTE:** The drive sheave can be identified by the casting number on the side of the sheave.

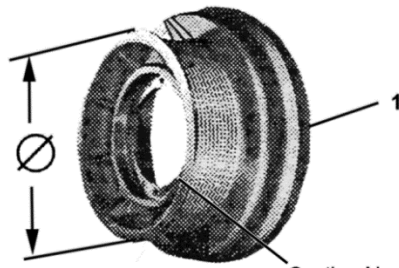
REF. No.	W/O VINTAGE		APPLICATION
	PART No.	DESCRIPTION	
1	261Y1	Drive Sheave, 40 in.  , (11) 11/16 in. Ropes	Liners
	261R1	Drive Sheave, 36 in.  , (8) 5/8 in. Ropes	Double Wrap Traction
	261R2	*Drive Sheave, 36 in.  , (8) 11/16 in. Ropes	Double Wrap Traction
	261R3	*Drive Sheave, 36 in.  , (6) 11/16 in. Ropes	Double Wrap Traction
	261R4	*Drive Sheave, 36 in.  , (7) 11/16 in. Ropes	Double Wrap Traction
	261R5	Drive Sheave, 36 in.  , (6) 5/8 in. Ropes	Double Wrap Traction
	261R6	Drive Sheave, 36 in.  , (7) 5/8 in. Ropes	Double Wrap Traction

\* For arrangements 261R2, R3, and R4, provide rope-to-rope centerline dimensions.

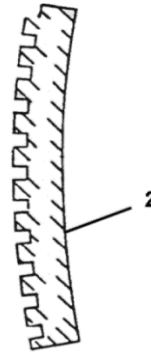


# Drive Sheave

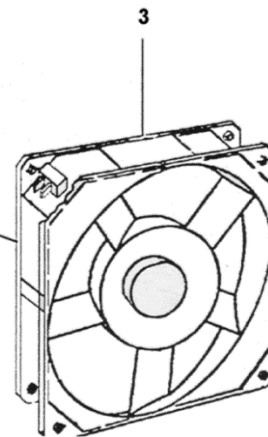
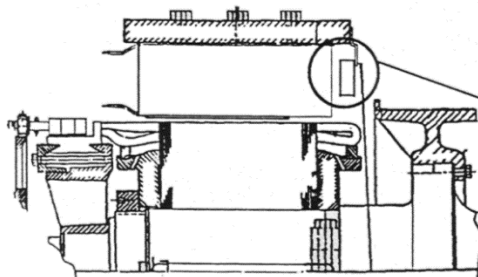
**06-B7013C**



Casting Number  
1P-A261Y (liner application)  
1P-A261R (round grooves)



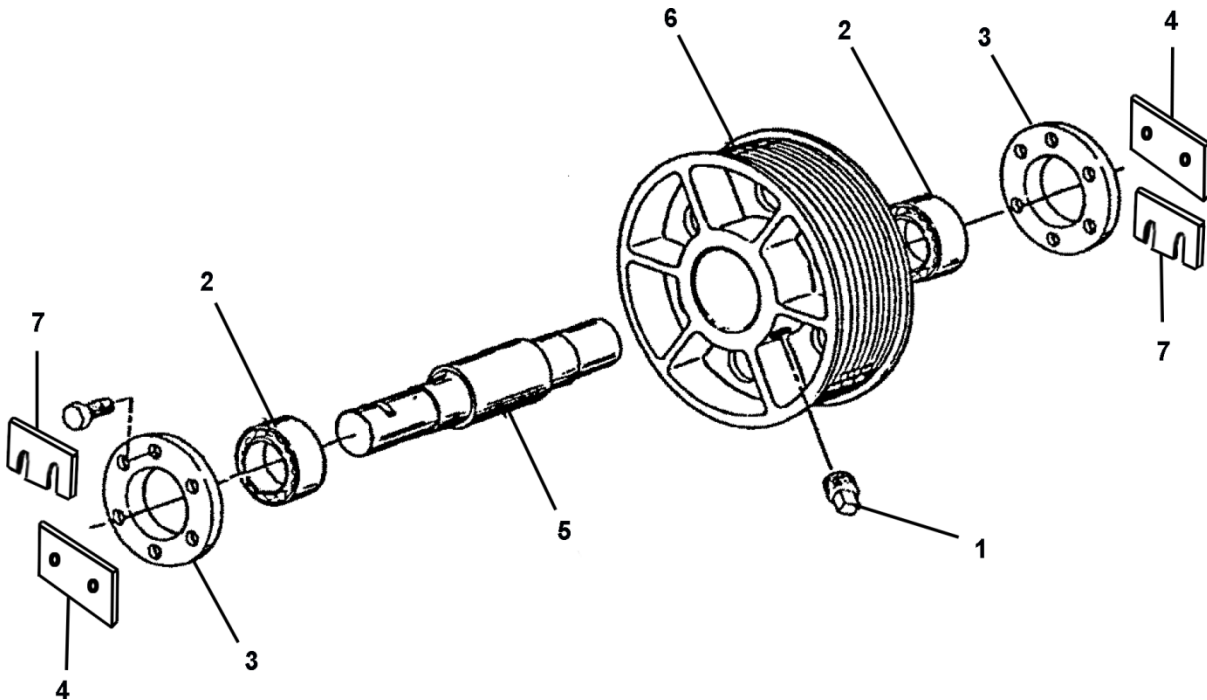
NOTE: The drive sheave can be identified by the casting number on the side of the sheave.



W/O VINTAGE & VINTAGE Y 01			
REF. No.	PART No.	DESCRIPTION	APPLICATION
1	A261Y1	Drive Sheave, 40 in. $\varnothing$ , (11) 11/16 in. Ropes	Liners
	A261R1	Drive Sheave, 36 in. $\varnothing$ , (8) 5/8 in. Ropes	Double Wrap Traction
	A261R2	*Drive Sheave, 36 in. $\varnothing$ , (8) 11/16 in. Ropes	Double Wrap Traction
	A261R3	*Drive Sheave, 36 in. $\varnothing$ , (6) 11/16 in. Ropes	Double Wrap Traction
	A261R4	*Drive Sheave, 36 in. $\varnothing$ , (7) 11/16 in. Ropes	Double Wrap Traction
	A261R5	Drive Sheave, 36 in. $\varnothing$ , (6) 5/8 in. Ropes	Double Wrap Traction
	A261R6	Drive Sheave, 36 in. $\varnothing$ , (7) 5/8 in. Ropes	Double Wrap Traction
	A261R7	Drive Sheave, 36 in. $\varnothing$ , (10) 5/8 in. Ropes	Double Wrap Traction
	A261R8	*Drive Sheave, 36 in. $\varnothing$ , (10) 11/16 in. Ropes	Double Wrap Traction
2	251CD4 B254CD3 AAA251CD12	Insert, for A261Y1, 261Y1, 40 in. Diameter, Chained, Threaded	
3	6091AA1	Fan	

\* For arrangements A261R2, R3, R4, and R8, provide rope-to-rope centerline dimensions.

**Deflector Sheave (SWT)**



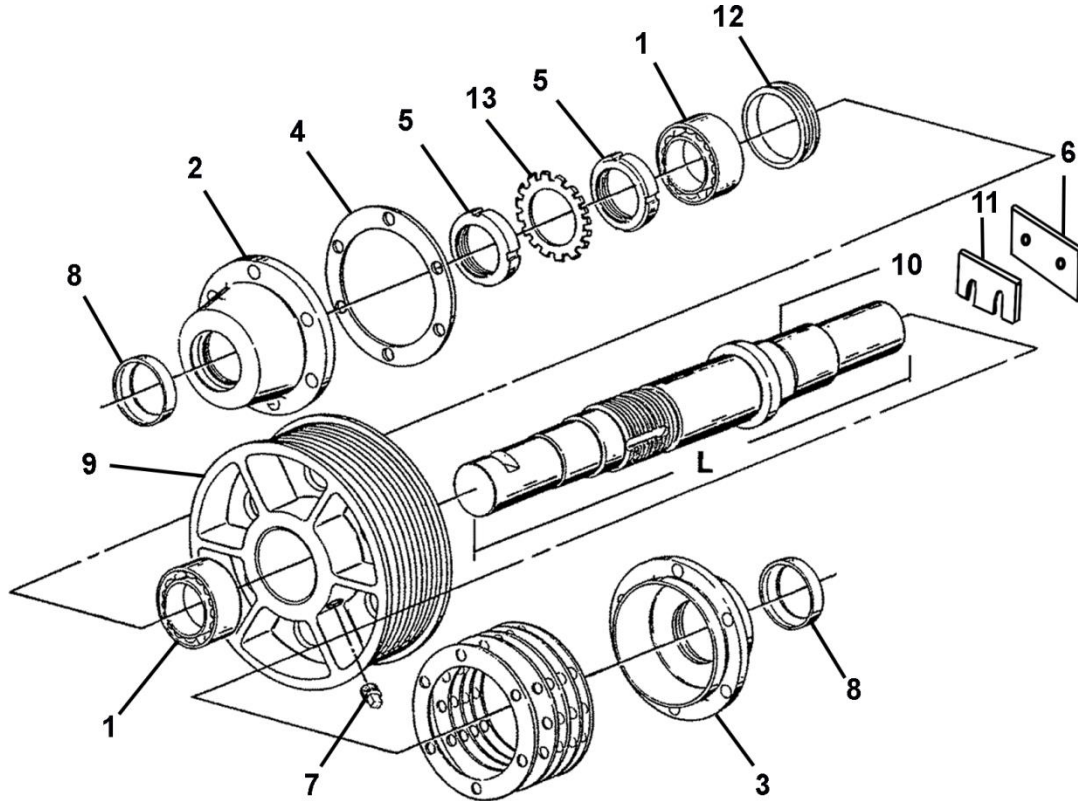
**6939F  
VINTAGE Y 01**

REF. No.	PART No.	DESCRIPTION
1	377DF1	1/4-18 NPT, Pipe Plug
2	209J7	Bearing
3	346SS2	Cover
4	386VH1	Plate, Retaining
5	495DK1	Shaft
6	263BK1	* Sheave, 11 Grooves, 11/16 Ropes
7	255DY19	Shim, 0.119 in. Thick
	255DY20	Shim, 0.030 in. Thick

\* Provide rope-to-rope centerline dimension when ordering sheave.

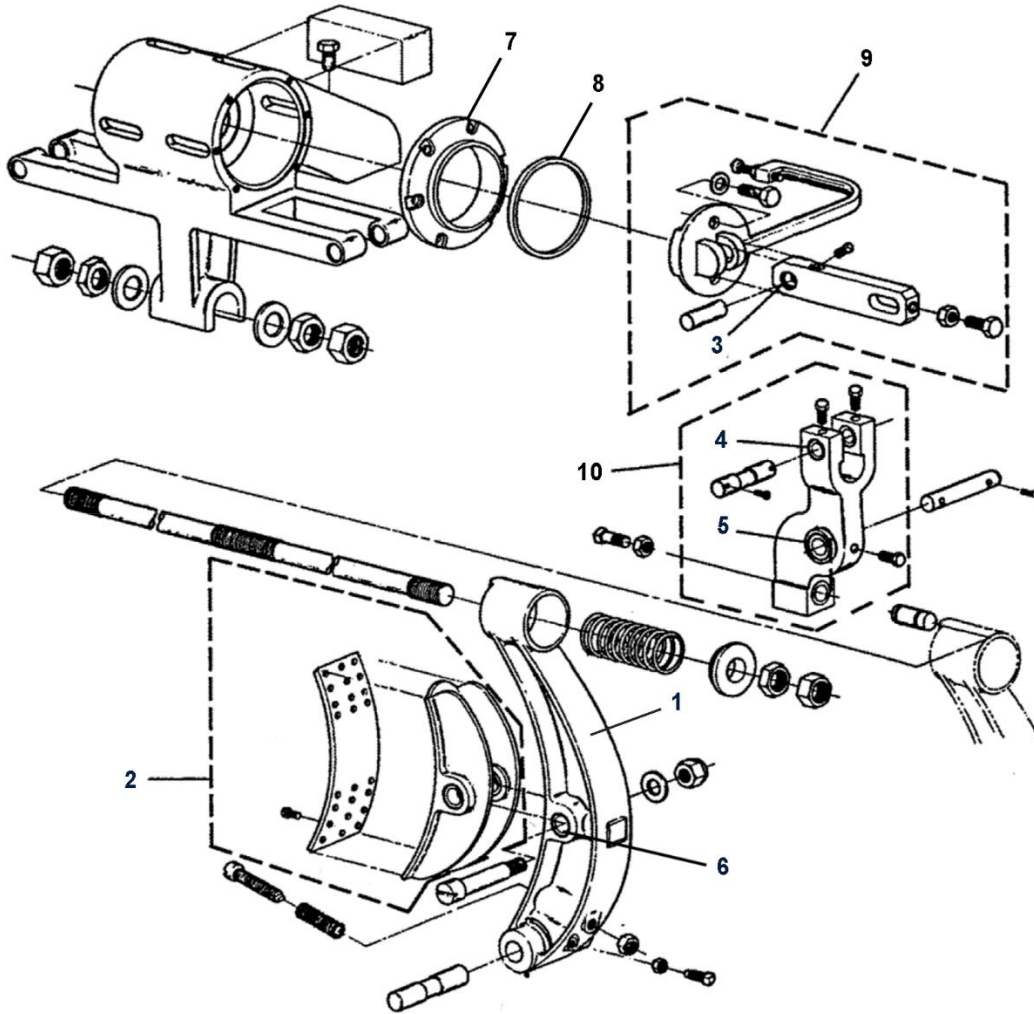
# Secondary Sheave (DWT)

06-B7013C



D6939E		
REF. No.	PART No.	DESCRIPTION
1	209B25	Bearing
2	346ACR1	Cover, Deep
3	346ACP1	Cover, Shallow
4	376J40	Gasket
5	72BV19	Nut
6	386WL1	Plate, Lock
7	377DF3	Plug, NPT Pipe 1/2-14
8	33D31	Seals
9	A262R4	Secondary Sheave, 36 in. $\varnothing$ (6) 5/8 in. Ropes
	A262R3	*Secondary Sheave, 36 in. $\varnothing$ (6) 11/16 in. Ropes
	A262R5	Secondary Sheave, 36 in. $\varnothing$ (7) 5/8 in. Ropes
	A262R2	*Secondary Sheave, 36 in. $\varnothing$ (7) 11/16 in. Ropes
	A262R6	Secondary Sheave, 36 in. $\varnothing$ (8) 5/8 in. Ropes
	A262R1	*Secondary Sheave, 36 in. $\varnothing$ (8) 11/16 in. Ropes
10	495BT2	Shaft, L = 26.75 in.
	A495BT2	Shaft, L = 24.50 in.
11	255BB73	Shim, 0.060 in Thick
	255BB74	Shim, 0.030 in. Thick
12	462EH1	Spacer
13	130AA20	Washer, Lock

\* Provide rope-to-rope centerline dimension when ordering sheave.

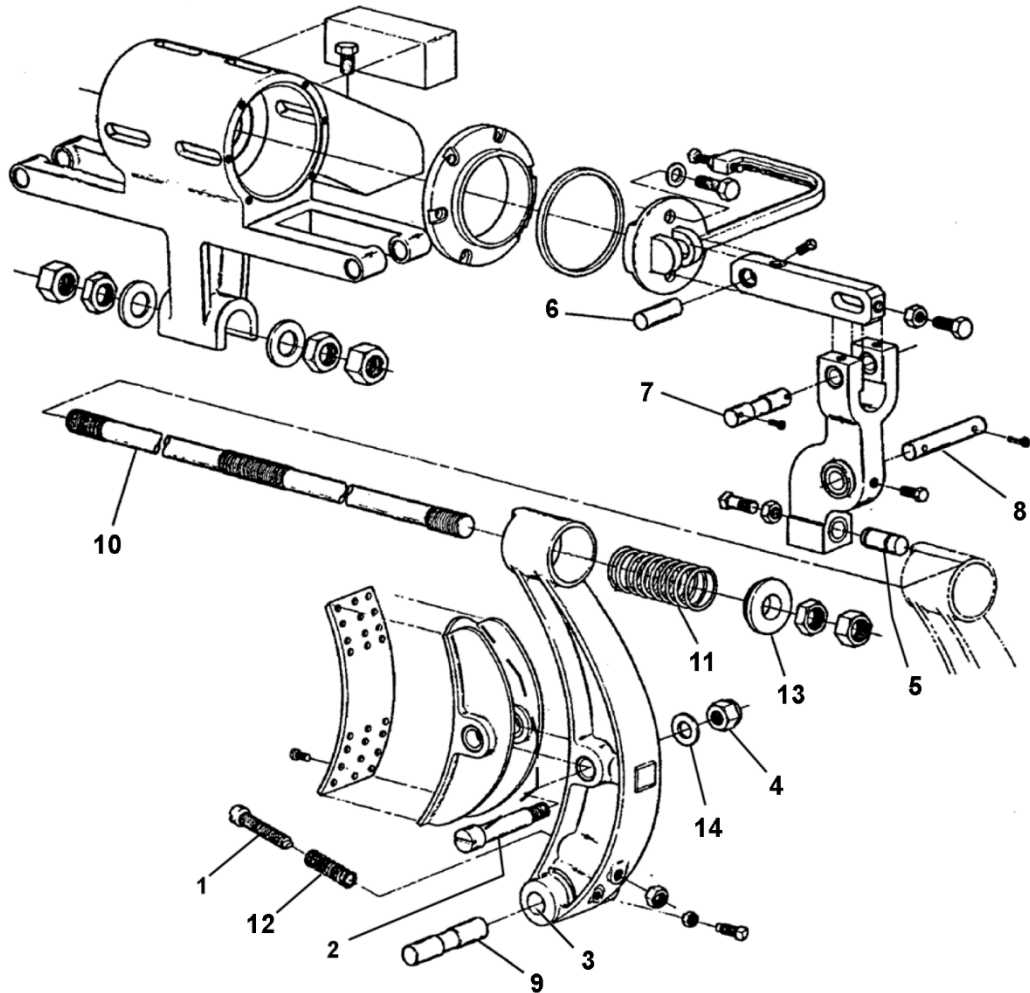


**NOTE:** All gearless machines must use brake arms lined with green gripper supplied factory bonded by OSC. See TIP 6.0-1, *Replacement of Brake Linings*.

<b>W/O VINTAGE &amp; VINTAGE Y 01</b>		
<b>REF. No.</b>	<b>PART No.</b>	<b>DESCRIPTION</b>
1	A286H4	Arm, Brake
2	B415W3	Assembly, Brake Shoe (Sold as each. Two required. It's more cost effective to reline vs. replace brake shoes. See <b>NOTE</b> .)
3	212W3	Bearing, Inner Linkage Pivot
4	209A13	Bearing, Outer Linkage Pivot
5	209A14	Bearing, Lower Linkage Pivot
6	335E75	Bushing (2 per arm)
7	346ACX2	Cover
8	376EE2	Gasket
9	2700CBA4	Kit, Includes: Lever, Link, Pin, Pipe Plug, and Hardware
10	2700CBA3	Kit, Includes: Lever, Pin, Washer, Cotter, and Pipe Plug

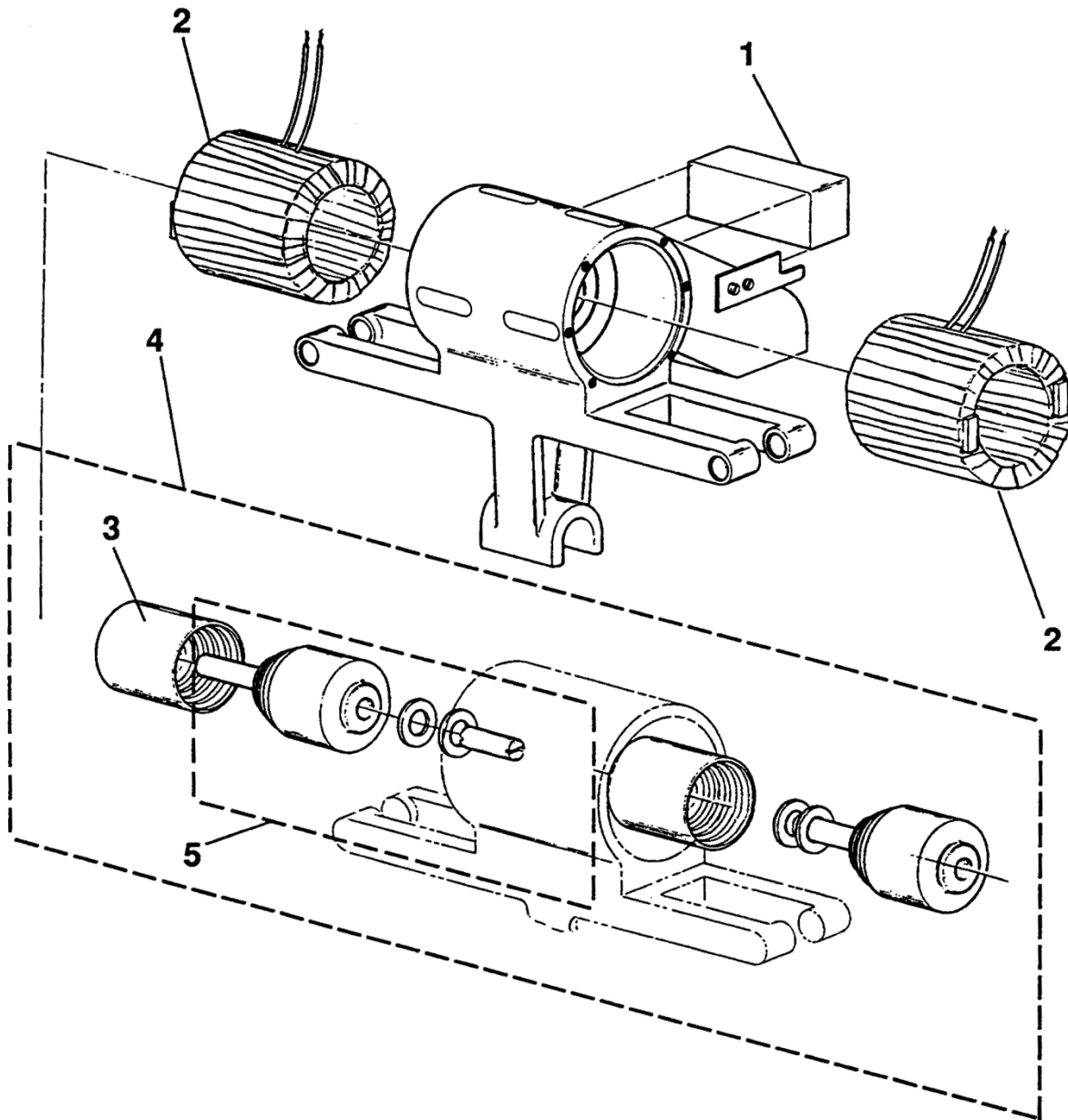
# Brake Parts

06-B7013C




**W/O VINTAGE &  
VINTAGE Y 01**

REF. No.	PART No.	DESCRIPTION
1	59BV1	Bolt
2	59BF3	Bolt, Pivot
3	335H29	Bushing (mounts in bedplate on Ref. 8), 2 per Pin, 4 per Machine
4	67G16	Nut
5	81BN2	Pin, Brake Arm
6	82A74	Pin, Inner Linkage
7	82AH5	Pin, Outer Linkage
8	82A75	Pin, Lower Linkage
9	77GB7	Pin, Lower Brake Arm
10	A95DB1	Rod, 1-1/2 in. $\varnothing$ , 6 UNC Thread
	95DB1	Rod, 1-14 in. $\varnothing$ , 7 UNC Thread
11	90TD6	Spring, Upper Brake Arm
12	90KC2	Spring, Lower Brake Arm
13	133BJ1	Spring Seat, 1-38 in. $\varnothing$ , Cored Hole
	A133BJ1	Spring Seat, 1-58 in. $\varnothing$ , Cored Hole
14	---	Washer, Flat, 1-1/2 SAE

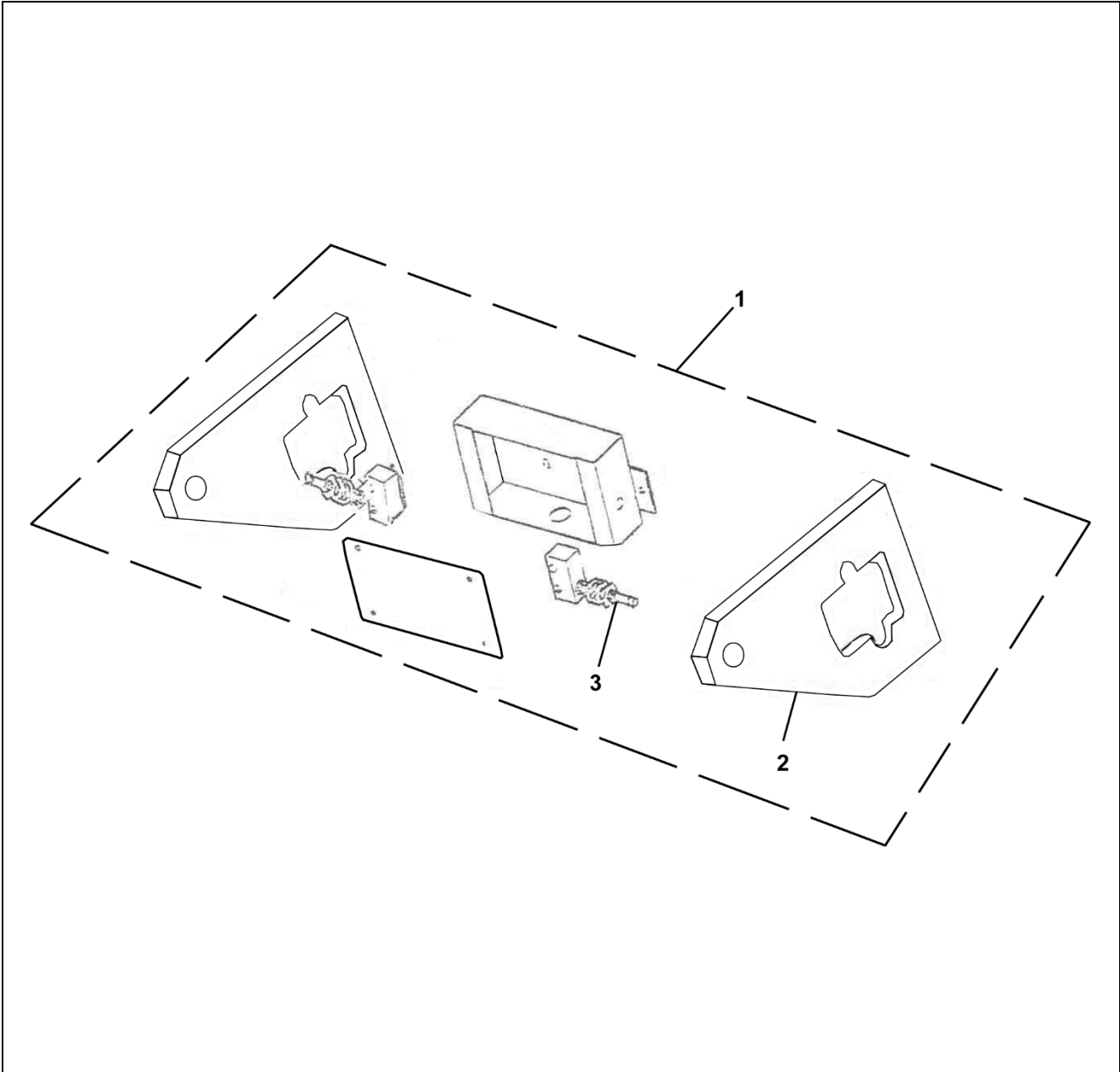


**W/O VINTAGE &  
VINTAGE Y 01**

<b>REF. No.</b>	<b>PART No.</b>	<b>DESCRIPTION</b>
1	6931A1	Brake Switch,  SPL C-1008
2	222FK1	Coil
3	400FS2	Brake Core, Female
4	2700CBA6	Kit, Includes: Brake Cores, Stud, and Washers
5	2700CBA7	Kit, Includes: Male Brake Core, Washers, and Stud

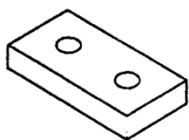
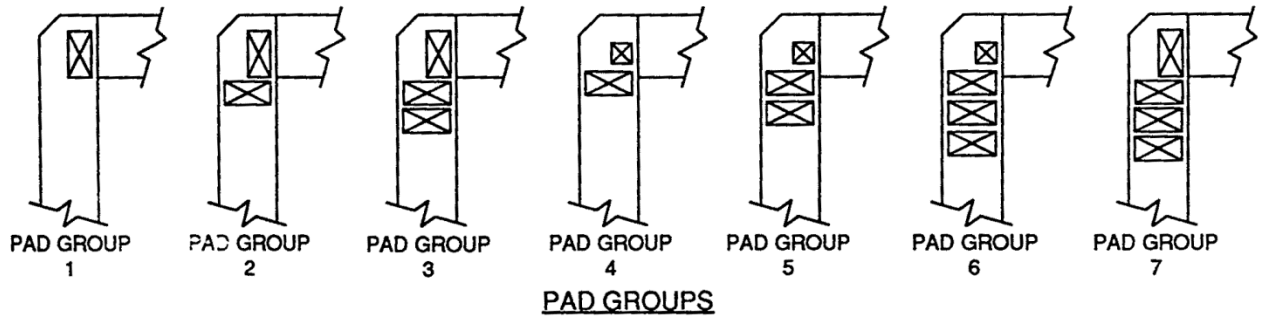
# Brake Parts

**06-B7013C**

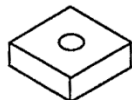


<b>W/O VINTAGE &amp; VINTAGE Y 01</b>		
<b>REF. No.</b>	<b>PART No.</b>	<b>DESCRIPTION</b>
1	2700ADE5	Kit, Brake Switch
2	AAA288VY1	Lever
3	177AP1	Switch

**Sound Isolation Pads**

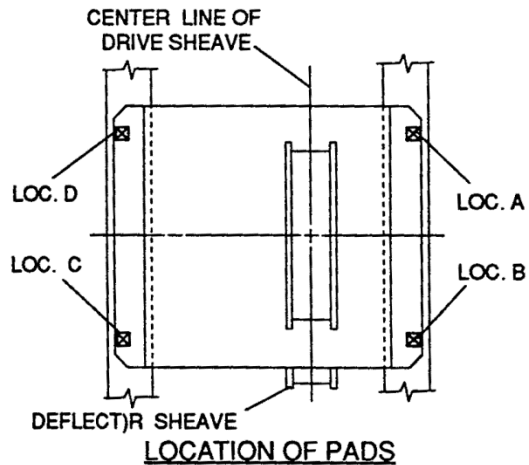


P/N 310JJ1  
(6 X 3 in)



P/N 310JJ2  
(3 X 3 in)

**SOUND ISOLATION PADS**



**TABLE A  
LOCATIONS  
USE PAD GROUP NO.**

COND No.	LOCATIONS				ROPING
	A	B	C	D	
1	4	2	4	1	DWT
2	4	2	4	4	
3	2	4	4	4	
4	4	5	4	1	
5	2	2	4	4	
6	4	5	4	4	
7	2	5	4	4	
8	4	3	4	1	
9	4	3	2	1	
10	5	2	4	4	SWT, DWT
11	2	3	4	4	DWT
12	5	5	4	4	SWT, DWT
13	4	6	2	1	DWT
14	2	3	2	4	
15	3	3	4	2	SWT
16	6	3	2	2	
17	6	6	2	2	
18	7	6	2	5	
19	7	7	2	5	

*(Continued on next page)*



# Sound Isolation Pads

**06-B7013C**

COND. No.	RESULTANT SHEAVE SHAFT LOAD (LBS.)	ARC OF CONTACT (DEGREES)	ROPING
1	42,501–47,500	330–348.9	DWT
2		349–352.9	
3		353–360	
4	47,501–52,500	330–332.9	
1		330–344.9	
2		345–347.9	
5		348–358.9	
3		359–360	
4	52,501–57,500	330–338.9	
1		339–341.9	
2		342–344.9	
5		345–360	
4	57,501–62,500	330–339.9	
6		340–342.9	
7		343–344.9	
5		345–360	
8		330–334.4	
4	62,501–67,500	334.5–338.4	
6		338.5–340.9	
7		341–349.4	
5		349.5–360	
9		330–332.4	
8	67,501–72,500	332.5–338.4	
7		338.5–353.4	
5		353.5–357.9	
10		358–360	
9		330–336.4	
11	72,501–77,500	336.5–343.4	
7		343.5–354.9	
12		355–357.4	
10		357.5–360	
13		330–332.4	
9	77,501–82,500	332.5–335.9	
14		336–340.4	
11		340.5–347.4	
7		347.5–352.4	
12		352.5–360	
13	82,501–85,000	330–335.4	
14		335.5–344.4	
11		344.5–350.4	
12		350.5–360	
10	21,000–27,000	165–180	SWT
12	27,001–33,000		
15	33,001–39,000		
16	39,001–45,000		
17	45,001–51,000		
18	51,001–57,000		
19	57,001–60,000		