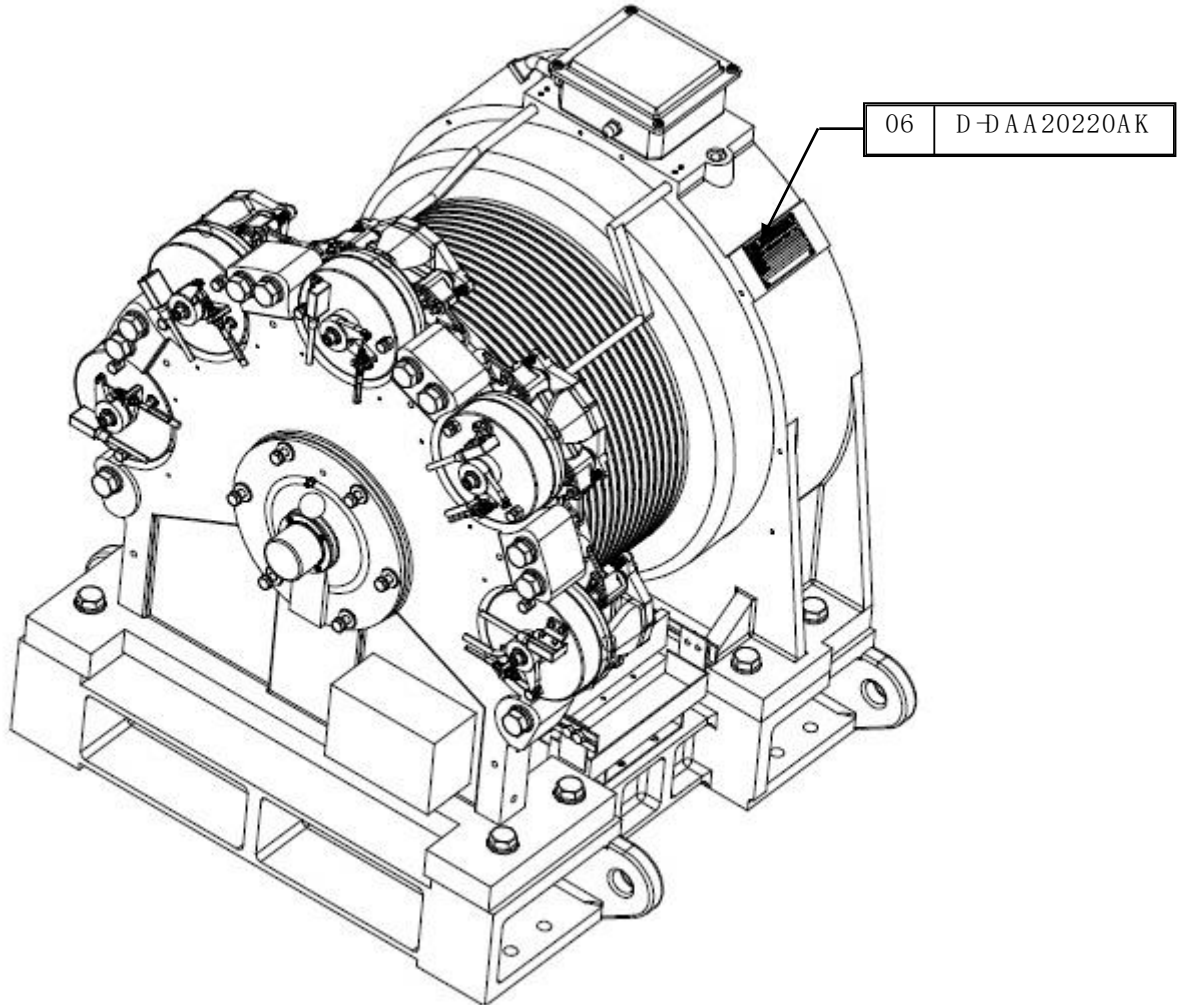


ELEVATOR MACHINE BOMCO 3

Spare Parts Leaflet
06 - DAA20220AK



Published Work—© Otis Elevator Co.

Safety First!

Otis Elevator Company

Published Work—Otis Elevator Co.

Apr. 20th, 2023

Page 1

ELEVATOR MACHINE BOMCO 3

Spare Parts Leaflet 06 - DAA20220AK

Leaflet Description

This leaflet provides spare parts information for the PM gearless machine, type DAA20220AK (called BOMCO 3 machine). DAA20220AK covers duty load from 900kg to 2000kg and elevator speed from 2.5m/s to 5.0m/s.

Leaflet Revisions

Data	Subject Matter Expert	Reason for Revision
Jun. 10 th , 2011	SVEN YUE	Original document
Oct. 10 th , 2012	XIMEI ZHOU	Update document
May.31 st ,2013	XIMEI ZHOU	Update document
Oct. 11 th .2013	XIMEI ZHOU	Update document
Mar. 12 th , 2014	LILI CHEN	Update document
Apr.28 th ,2015	KAI YUAN	Update document
Apr. 25 th , 2018	SU YANLING	Update document
Sep. 5 th , 2018	SHEN YUWEI	Update document
Apr.30 th ,2019	SHEN YUWEI	Add lubricator /brush ASSY. and add DAA376GP1 gasket
Jan.9 th ,2020	XIAO JIANXIN	Update brake part No.
Dec.2 nd ,2020	XIMEI ZHOU	Update document
Mar.17 th ,2021	SHEN YUWEI	Update O ring part No.
Dec. 26 th , 2022	SU YANLING	Add and update 5m/s related P/N
Apr. 20 th , 2023	SU YANLING	Update O ring P/N; Add copper washer P/N

Related Drawings

Drawing No.	Title	Drawing No.	Title
DAA20220AK	MACHINE ASSEMBLY	DAA330AC	BRAKE MAGNET OF 48V
DAA330AV	BRAKE MAGNET OF 90V	DAA20250R1/DAA20250AC1	RESCUE DEVICE

Related Documents

Document ID	Title
DO-O309BV	ORDER DATA SHEET OF BOMCO III MACHINE FOR EN/GB/JIS&ANSI
DAA20220AK_BD	BASIC DATA OF BOMCO 3 MACHINE
DAA20220AK_FIELD INSTALLATION MANUAL	FIELD INSTALLATION MANUAL OF BOMCO III MACHINE
DAA20220AK_MAINTENANCE MANUAL	MAINTENANCE MANUAL OF BOMCO III MACHINE

ELEVATOR MACHINE BOMCO 3

Spare Parts Leaflet 06 - DAA20220AK

DAA20220AK_ REPAIR
MANUAL

REPAIR MANUAL OF BOMCO III MACHINE

Subject Matter Expert

Name	Department
RUGUANG LIU	BOMCO R&D
GARY MENDRALA	OSC Service Engineering

About Spare Parts Leaflets

This document lists the lowest replaceable units (LRUs) for the standard version of the product. The LRUs are chosen by a team of Otis associates representing engineering and manufacturing.

While goal of this document is to make parts identification as easy as possible, the document cannot be all-inclusive. Elevator and escalator contracts classified as “special” or “custom” are not addressed here. For such contracts, please refer to specified information, the contract folder, TIPS, Field Education Articles, Construction Letters, etc. for further information.

If you have any suggestions about this document, please contact the subject matter expert listed on this page

ELEVATOR MACHINE BOMCO 3

Spare Parts Leaflet 06 - DAA20220AK

REVERSION HISTORY

Rev No.	Rev. Date (yyyy-mm-dd)	Description of Change: (Include Section numbers affected)	Reason for Change:
1	2012-10-10	Rotor assembly: add the part DAA233AA2 for EN/KC,DAA33N1,DAA384LW,DAA376GQ1, ISO4162 M8X35;machine assembly: add part DAA649A1-K8A, DAA384JG2	Add the magnet type for JIS code; and Add protection part for grease leakage (updated the assembly picture); and fix the encoder cable; and add the machine cover part with foam.
2	2013-5-31	Related drawing: add rescue device Related Document: add the FIM document; TERMINAL BOX ASS'Y: "DAA303AG2" instead of "DAA303AG1"; Deleted part 4 and 5. BRAKE ASS'Y: update nameplate(part 4/5/6); MACHINE ASS'Y: add brake box (DAA21303AR3-5)for ANSI/JIS code; Add Front support (DAA396AG2) for ANSI/JIS code. add part 17 and 18.	Improve the machine terminal block; deleted part 4 and 5 from the HR-SIT request; updated the brake nameplate and front support for ANSI/JIS code machine; add the oil splash guard and cable guard from the HR-SIT request.
3	2013-10-11	Add the notes*	The brake must be purchased from BOMCO
4	2014-03-12	Rotor Assembly: delete Part No. of magnet, isolation line, Pulley, Shaft and Key Terminal Box Assembly: Delete screw, washers, terminals, stop board, fix board and wail; Change earth plate to ground plate, Delete machine terminal block description "for GB/EN/KC". Stator Assembly: Part No. of Housing, Stator Assembly, Tube, Screw, Washers, and Key Brake Assembly: Add DAA234S2 90V brake coil Machine Assembly: change Rope Rod name to Rope Retainer, Add Code information for Brake, change name Front Support to Rear Support; Change No 6 bearing cover part number from DAA346EM1 TO DAA346LE1; Change No 8 encoder part number from DAA633M1 TO DAA633W1;Add DAA384JG3 the machine cover for KC; Rescue Device: Add DAA20250AC3 electric release device for EN/KC code	Update base on field feedback
5	2015-04-28	Shackle part number: was DAA338E1, change to DAA338E2	B3 package improvement
6	2018-04-25	Extend duty load to 2000kg; Brake Ass'y: delete DAA102NL1; change DAA102NL2 only for KC; Machine Ass'y: add part 21 and 22.	B3 Extension
7	2018-09-05	Updated MRO P/N from DAA20250R1/2 to DAA20250R4/5/6	MRO Updated
8	2019-4-30	ADDED LUBRICATOR /BRUSH ASSY.	ROPE MAINTENANCE
9	2020-1-9	Update brake part No.	Error correction

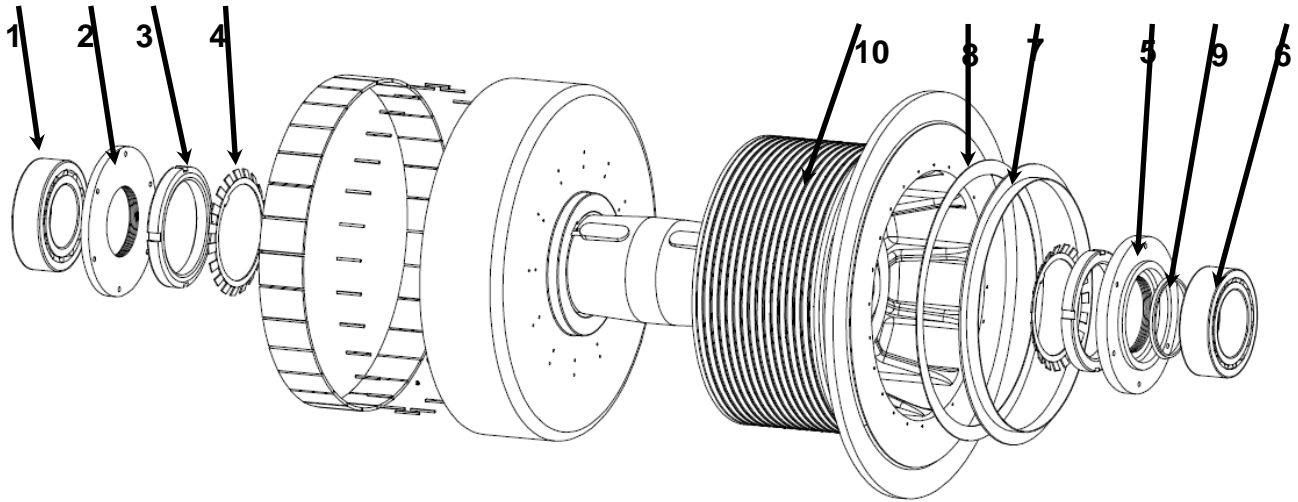
ELEVATOR MACHINE BOMCO 3

Spare Parts Leaflet 06 - DAA20220AK

Rev No.	Rev. Date (yyyy-mm-dd)	Description of Change: (Include Section numbers affected)	Reason for Change:
10	2020-12-02	Rotor assembly: changed bearing P/N, Machine assembly: changed encoder P/N , clamp P/N and encoder cover P/N.	Bearing and encoder brand changed.
11	2021-3-17	Updated O ring part no.	Chang V ring to O ring
12	2022-12-26	1)ROTOR ASS'Y: added sheave P/N; 2)TERMINAL BOX ASS'Y: added terminal block with fan P/N; 3)STATOR ASS'Y: added stator ass'y P/N; 4)MACHINE ASS'Y: changed front support P/N, updated machine cover P/N, added item no. 23 and item no. 24 ; 5)Added "COVER AND FAN ASS'Y" leaflet	Add 5m/s related P/N; Add optimized casting P/N; Machine cover updated due to error correction
13	2023-04-20	1)ROTOR ASS'Y: updated O ring P/N 2) MACHINE ASS'Y: added washer P/N	Error correction; New requirement;

ELEVATOR MACHINE BOMCO 3

Spare Parts Leaflet
06 - DAA20220AK

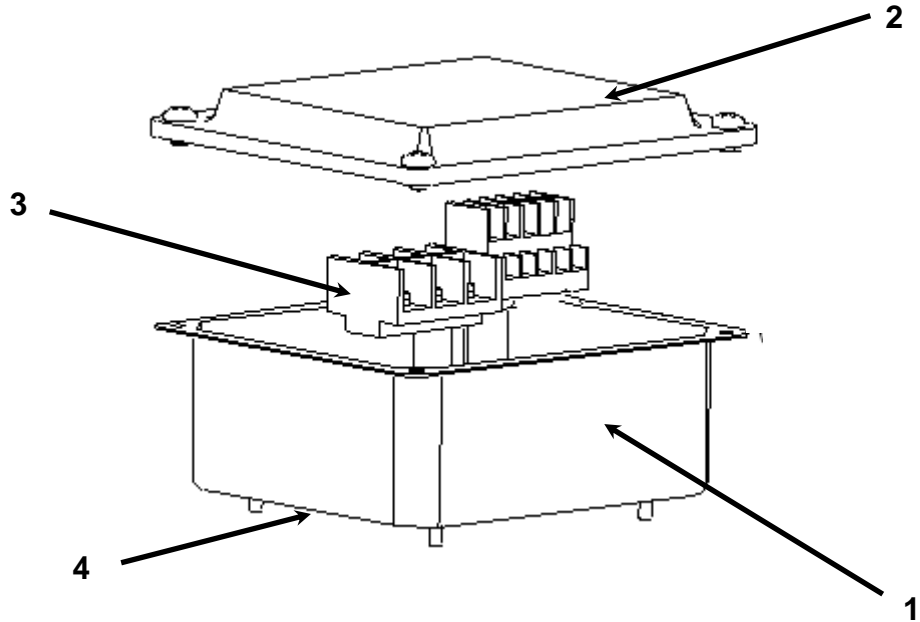


ROTOR ASS'Y

No.	PART No.	DESCRIPTION	QUAN.	USED FOR
1	DAA209G2	BEARING	1	DAA20750C_ DAA20750D_
2	DAA346EN1	BEARING COVER	1	
3	DAA72BD1	NUT	2	
4	ISO2982-2-M200×226	WASHER	2	
5	DAA346EL1	BEARING COVER	1	
6	DAA209H2	BEARING	1	
7	DAA384LW1	STOP OIL GUARD	1	
8	DAA376GQ1	GASKET	1	
	ISO4162 M8X35	BOLT	12	
9	DAA172AG5	O RING	1	
10	DAA261L5/ DAA261AY1	SHEAVE, 14 GROOVES, Φ13mm ROPE DIA., Φ600mm SHEAVE DIA., 16mm GROOVE PITCH, ROUND GROOVE	1	
	DAA261L6 / DAA261AY2	SHEAVE, 14 GROOVES, Φ12.7mm ROPE DIA., Φ600mm SHEAVE DIA., 16mm GROOVE PITCH, UNDERCUT GROOVE		
	DAA261L7 / DAA261AY3	SHEAVE, 14 GROOVES, Φ12.7mm ROPE DIA., Φ600mm SHEAVE DIA., 16mm GROOVE PITCH, ROUND GROOVE		

ELEVATOR MACHINE BOMCO 3

Spare Parts Leaflet
06 - DAA20220AK

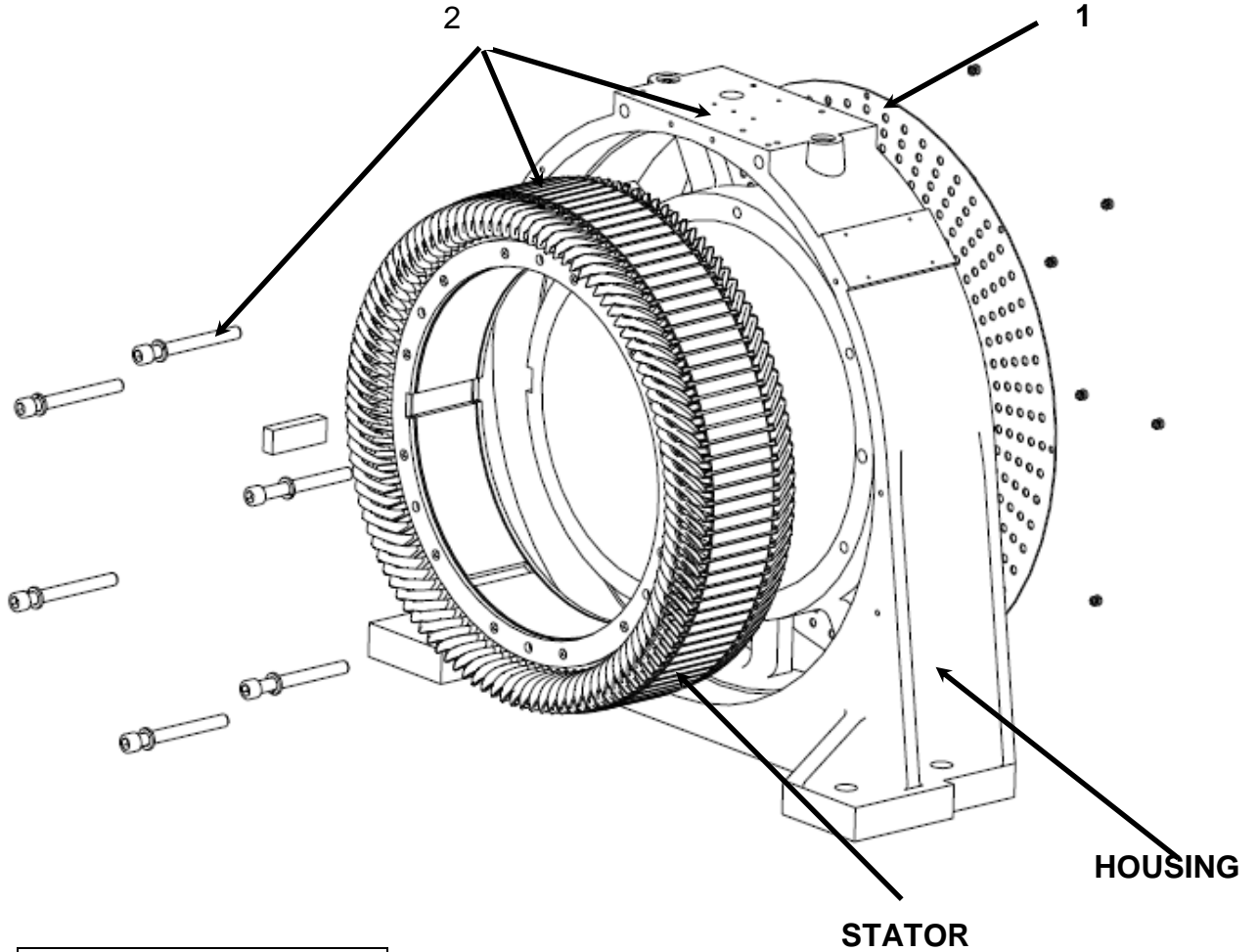


TERMINAL BOX ASS'Y

No.	PART No.	DESCRIPTION	QUAN.	USED FOR
1	DAA309BJ2	TERMINAL BOX SEAT	1	DAA309BJ1 (WITHOUT FANS) / DAA309BJ9 (WITH FANS)
2	DAA346CW1	TERMINAL BOX UPCOVER	1	
3	DAA303AG2	MACHINE TERMINAL BLOCK (WITHOUT FANS)	1	
	DAA303AG5	MACHINE TERMINAL BLOCK (WITH FANS)		
4	GO102AS1	GROUND PLATE	1	
	ISO7045M6X6-8.8B	SCREW	1	

ELEVATOR MACHINE BOMCO 3

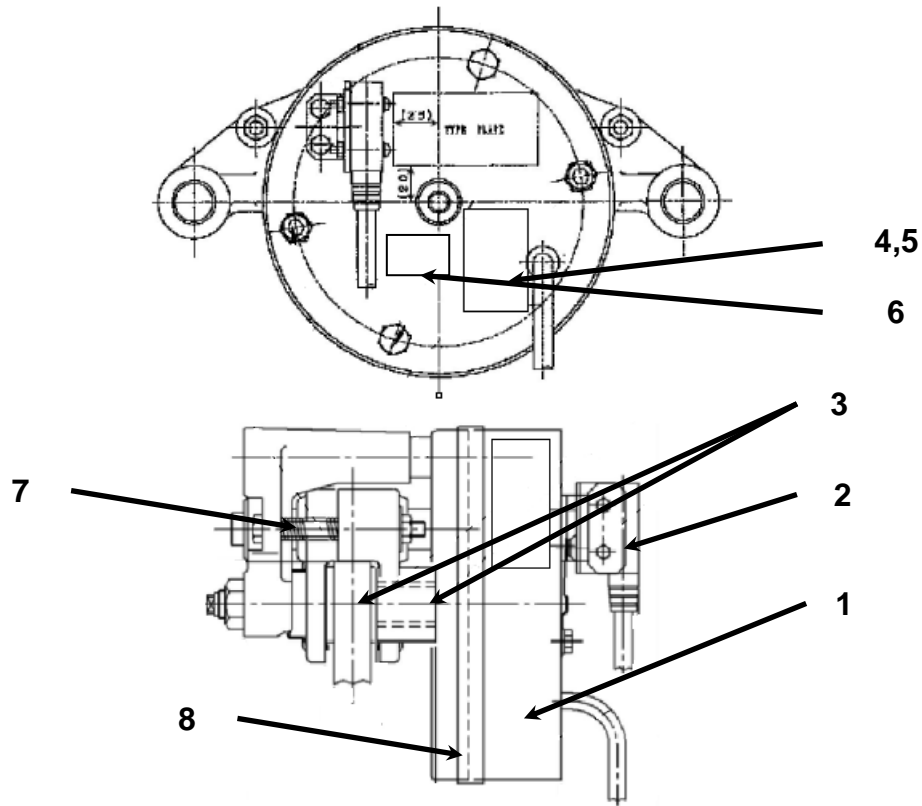
Spare Parts Leaflet
06 - DAA20220AK



STATOR ASS'Y				
No.	PART No.	DESCRIPTION	QUAN.	USED FOR
1	DAA273AG1	HOUSING APRON	1	DAA20220AK
2	DAA6026AG2	STATOR ASS'Y (<=4M/S)	1	DAA20220AK
	DAA6026AG3	STATOR ASS'Y (5M/S)		

ELEVATOR MACHINE BOMCO 3

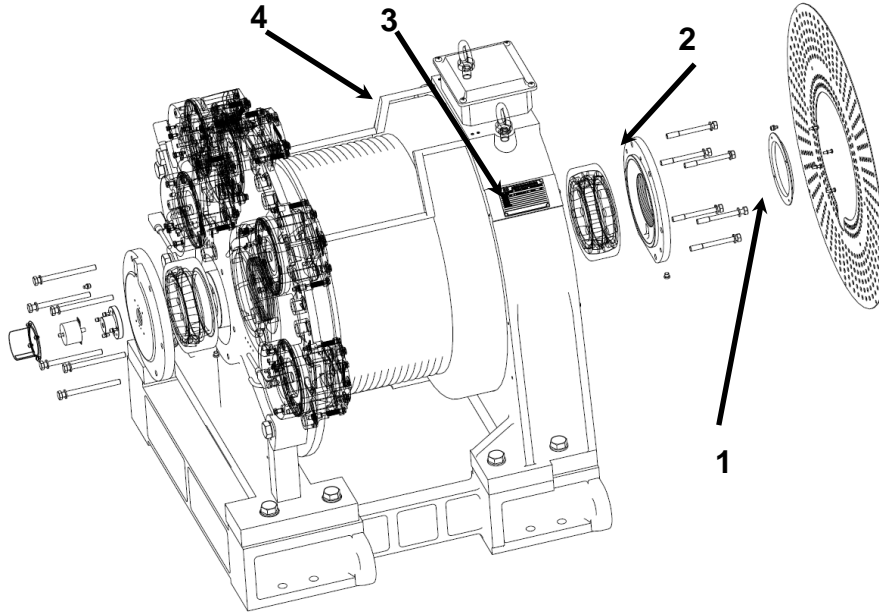
Spare Parts Leaflet 06 - DAA20220AK



BRAKE ASS'Y				
No.	PART No.	DESCRIPTION	QUAN.	USED FOR
1	DAA234S1	BRAKE COIL, 48V, 13.6Ω	1	DAA330AC_ DAA330AV_
	DAA234S2	BRAKE COIL, 90V, 27.8Ω		
2	DAA177EA1	LIMIT SWITCH ASSY	1	
3	DAA416T1	PAD KIT	2	
4	DAA102NL2	NAME PLATE FOR KC	1	DAA330AC_
5	DAA102NL3/4	NAME PLATE FOR ANSI/JIS	1	DAA330AV_
6	DAA102NL5		1	
7	DAA90BH1	ADJUSTMENT SPRING,1726.02N	1	DAA330AC_ DAA330AV_
	DAA90BH2	ADJUSTMENT SPRING,533.26N		
8	DAA384JK1	DUST COVER	1	

ELEVATOR MACHINE BOMCO 3

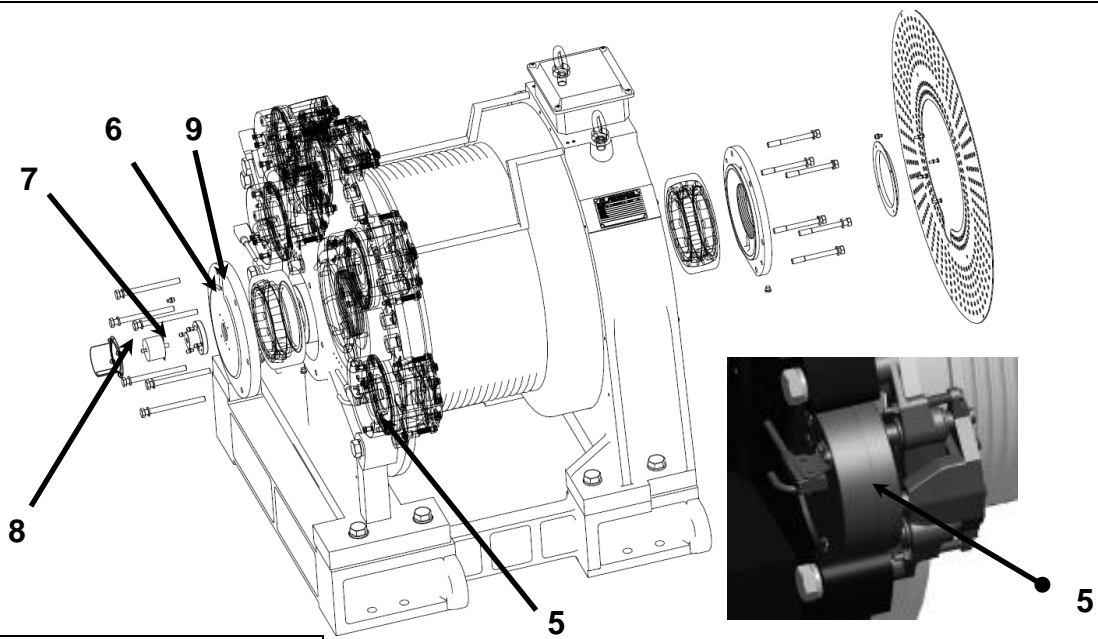
Spare Parts Leaflet 06 - DAA20220AK



MACHINE ASS'Y				
No.	PART No.	DESCRIPTION	QUAN.	USED FOR
1	DAA346FT1	COVER	1	DAA20220AK_
	DIN 127 M5-430HV-Z	SPRING WASHER	4	
	ISO7045 M5X20-4.8Z	SCREW	4	
2	DAA346EK1	BEARING COVER	1	
	ISO4009 A M10X1	OIL CUP	1	
	DIN 127 M12-430HV-Z	SPRING WASHER	6	
	ISO4014 M12X145-8.8Z	BOLT	6	
	DIN 908 G.125	SCREW PLUG	1	
	DIN 7603A M10-CU	WASHER	1	
3	DAA102PG1	NAME PLATE FOR GB CODE	1	
	DAA102PG2	NAME PLATE FOR EN CODE	1	
	DAA102PG3	NAME PLATE FOR KC CODE	1	
	DAA102PG4	NAME PLATE FOR ANSI CODE	1	
	DAA102PG5	NAME PLATE FOR JIS CODE	1	
	GB/T 827 1986 3X6	RIVET	4	
4	DAA98CG1	ROPE RETAINER FOR GB/EN/KC	2	
	DAA98CG2	ROPE RETAINER FOR ANSI	1	
	DAA98CG3	ROPE RETAINER FOR JIS	1	
	ISO4028 M8X12-8.8Z	SCREW	4	

ELEVATOR MACHINE BOMCO 3

Spare Parts Leaflet 06 - DAA20220AK

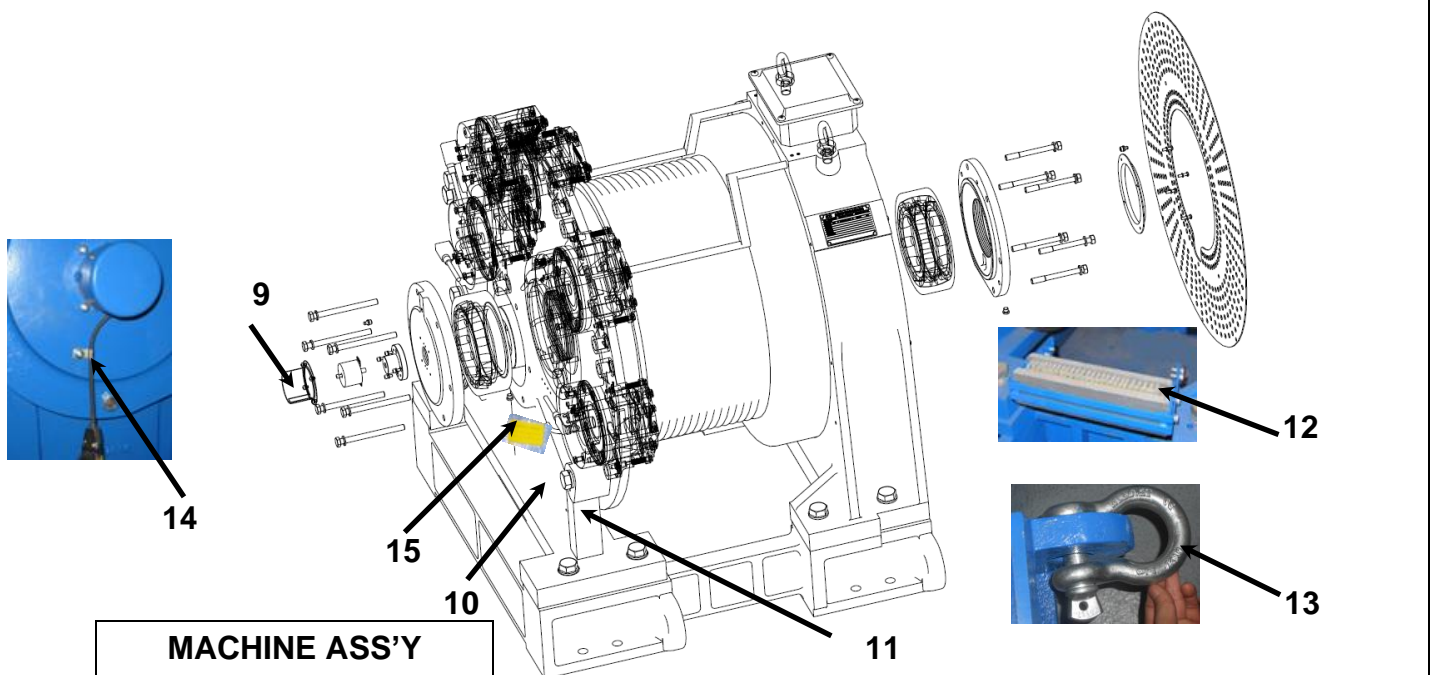


MACHINE ASS'Y				
No.	PART No.	DESCRIPTION	QUAN.	USED FOR
5	*DAA330AC2	BRAKE 750~1050Nm, 48V, EN/GB/KC	3/4	DAA20220AK_
	*DAA330AC1	BRAKE 1200~1500Nm, 48V, EN/GB/KC		
	*DAA330AV2	BRAKE 750~1050Nm, 90V, ANSI	3/4/5	
	*DAA330AV1	BRAKE 1200~1500Nm, 90V, ANSI		
	*DAA330AV4	BRAKE 750~1050Nm, 90V, JIS		
	*DAA330AV3	BRAKE 1200~1500Nm, 90V, JIS		
	ISO7089-M24-140HV-Z	WASHER	6/8/10	
	DIN127A-M24-430HV-Z	SPRING WASHER	6/8/10	
	ISO4017 M24*120-10.9Z	SCREW	6/8/10	
6	DAA346LE1	BREARING COVER	1	
	DIN 127 M12-430HV-Z	SPRING WASHER	6	
	ISO 4014 M12X130-8.8Z	BOLT	6	
	DIN 908 G.125	SCREW PLUG	1	
	DIN 7603A M10-CU	WASHER	1	
	ISO4009 A M10X1	OIL CUP	1	
7	DAA494BN1	ENCODER CONNECT SHAFT	1	
	DIN 127 M5-430HV-Z	SPRING WASHER	4	
	ISO4762 M5X12-8.8Z	SCREW	4	
8	DAA633W3	ENCODER ASSEMBLY	1	
9	DAA376GP1	GASKET	1	

NOTE: *: the brake must be purchased from OETM@ Otis Elevator Co

ELEVATOR MACHINE BOMCO 3

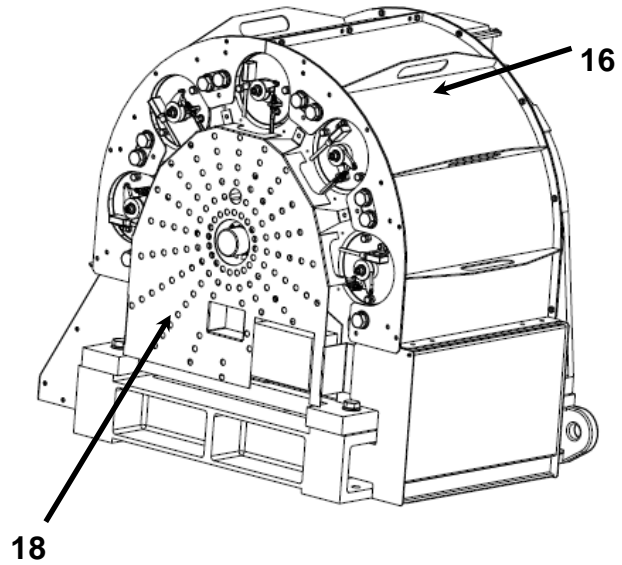
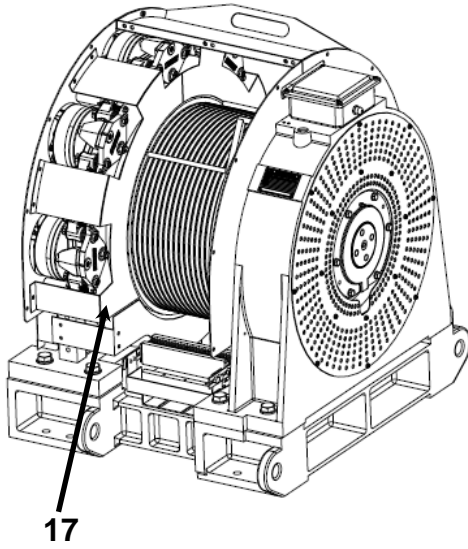
Spare Parts Leaflet 06 - DAA20220AK



MACHINE ASS'Y				
No.	PART No.	DESCRIPTION	QUAN.	USED FOR
9	DAA384FG4	ENCODER COVER	1	DAA20220AK_
	DIN 127 M5-430HV-Z	SPRING WASHER	4	
	ISO7045 M5X8-4.8Z	SCREW	4	
10-1	DAA21303AR1	BRAKE TERMINAL BOX, for 3 BRAKES OF EN/GB/KC	1	
	DAA21303AR2	BRAKE TERMINAL BOX, for 4 BRAKES OF EN/GB/KC		
	DAA21303AR3	BRAKE TERMINAL BOX, for 3 BRAKES OF ANSI/JIS	1	
	DAA21303AR4	BRAKE TERMINAL BOX, for 4 BRAKES OF ANSI/JIS		
	DAA21303AR5	BRAKE TERMINAL BOX, for 5 BRAKES OF ANSI/JIS		
10-2	DAA649A1	WIRE CLAMP	21	
	DIN 127 M5-430HV-Z	SPRING WASHER	21	
	ISO7045 M5X10-4.8Z	SCREW	21	
11	DAA396DT1	FRONT SUPPORTFOR GB/EN/KC	1	
	DAA396DT2	FRONT SUPPORTFOR ANSI/JIS		
12	DAA26EF1	ROPE LUBRICATE SYSTEM	1	
13	DAA338E2	MACHINE SHACKLE	4	
14	DAA649V1	CLAMP	1	
15	DAA102NM1	EMERGENCY BRAKE TAG FOR ANSI/JIS	2	

ELEVATOR MACHINE BOMCO 3

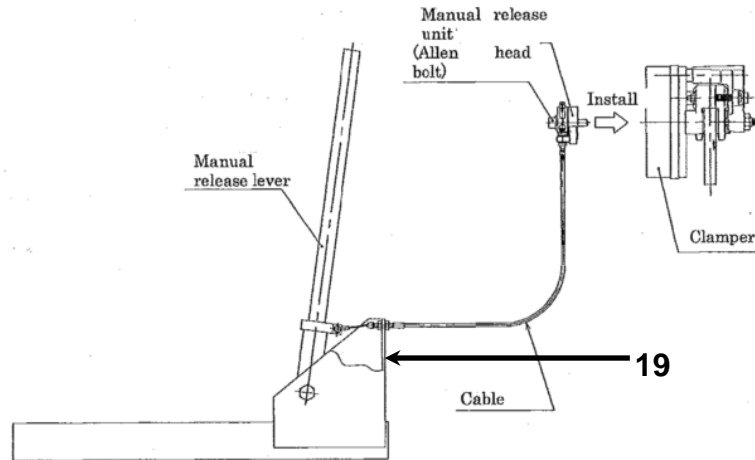
Spare Parts Leaflet 06 - DAA20220AK



MACHINE ASS'Y				
No.	PART No.	DESCRIPTION	QUAN.	USED FOR
16-1	DAA384JG1	MACHINE COVER WITH FOAM (900~1200MM RODROP, RBD NO)	1	DAA20220AK_
16-2	DAA384JG4	MACHINE COVER WITH FOAM (RBD YES)	1	
16-3	DAA384JG6	MACHINE COVER WITH FOAM (1201~1400MM RODROP, RBD NO)	1	
16-4	DAA384XJ1	MACHINE COVER W/O FOAM (1201~1400MM RODROP)	1	
16-5	DAA384XJ2	MACHINE COVER W/O FOAM (900~1200MM RODROP, RBD NO)	1	
16-6	DAA384XJ3	MACHINE COVER W/O FOAM (900~1200MM RODROP, RBD YES)	1	
17	DAA384LN1	STOP OIL GUARD	1	
	ISO 6142 M10X10	BOLTS	18	
	ISO 4032 M10	NUT	14	
18	DAA384KF1	CABLE PROTECTION GUARD	1	
	ISO7045 M6X10	BOLTS	6	
	DIN316 M8X12	BOLTS	2	

ELEVATOR MACHINE BOMCO 3

Spare Parts Leaflet 06 - DAA20220AK



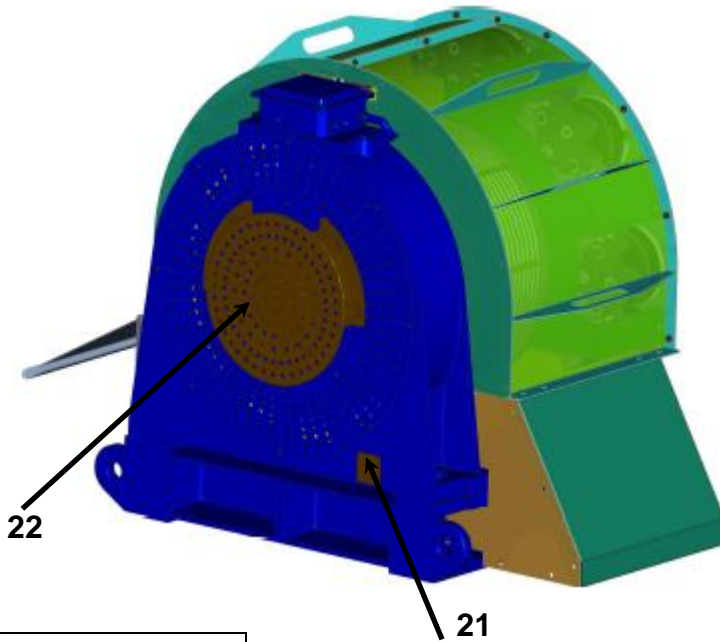
Rescue Device				
No.	PART No.	DESCRIPTION	QUAN.	USED FOR
19	DAA20250R4	MANUAL RELEASE DEVICE(JIS)	1	DAA20220AK_
	DAA20250R5	MANUAL RELEASE DEVICE(GB)	1	DAA20220AK_
	DAA20250R6	MANUAL RELEASE DEVICE(EN,KC,ANSI)	1	DAA20220AK



Rescue Device				
No.	PART No.	DESCRIPTION	QUAN.	USED FOR
20-1	DAA20250AC1	ELECTRIC RELEASE DEVICE FOR GB CODE	1	DAA20220AK_
	CB1240 (12V 4AH)	BATTERY FOR GB CODE	4	
20-2	DAA20250AC2	ELECTRIC RELEASE DEVICE FOR ANSI/JIS CODE	1	
	CB1240 (12V 4AH)	BATTERY FOR ANSI/JIS CODE	8	
20-3	DAA20250AC3	ELECTRIC RELEASE DEVICE FOR EN/KC CODE	1	
	CB1240 (12V 4AH)	BATTERY FOR EN/KC CODE	4	

ELEVATOR MACHINE BOMCO 3

Spare Parts Leaflet
06 - DAA20220AK

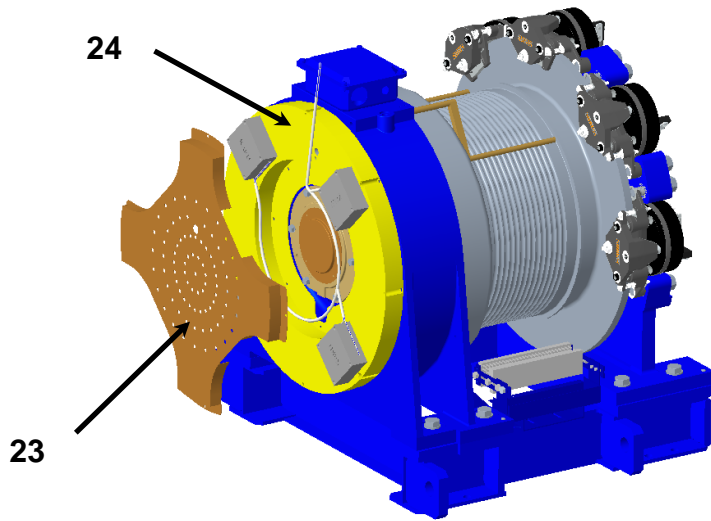


MACHINE ASS'Y

No.	PART No.	DESCRIPTION	QUAN.	USED FOR
21-1	DAA102AFD1	ACOP&UCMP NAME PLATE FOR GB	1	DAA20220AK_
21-2	DAA102AFD2	ACOP&UCMP NAME PLATE FOR EN	1	
22	DAA384ZF1	HEAT PROTECTION COVER	1	

ELEVATOR MACHINE BOMCO 3

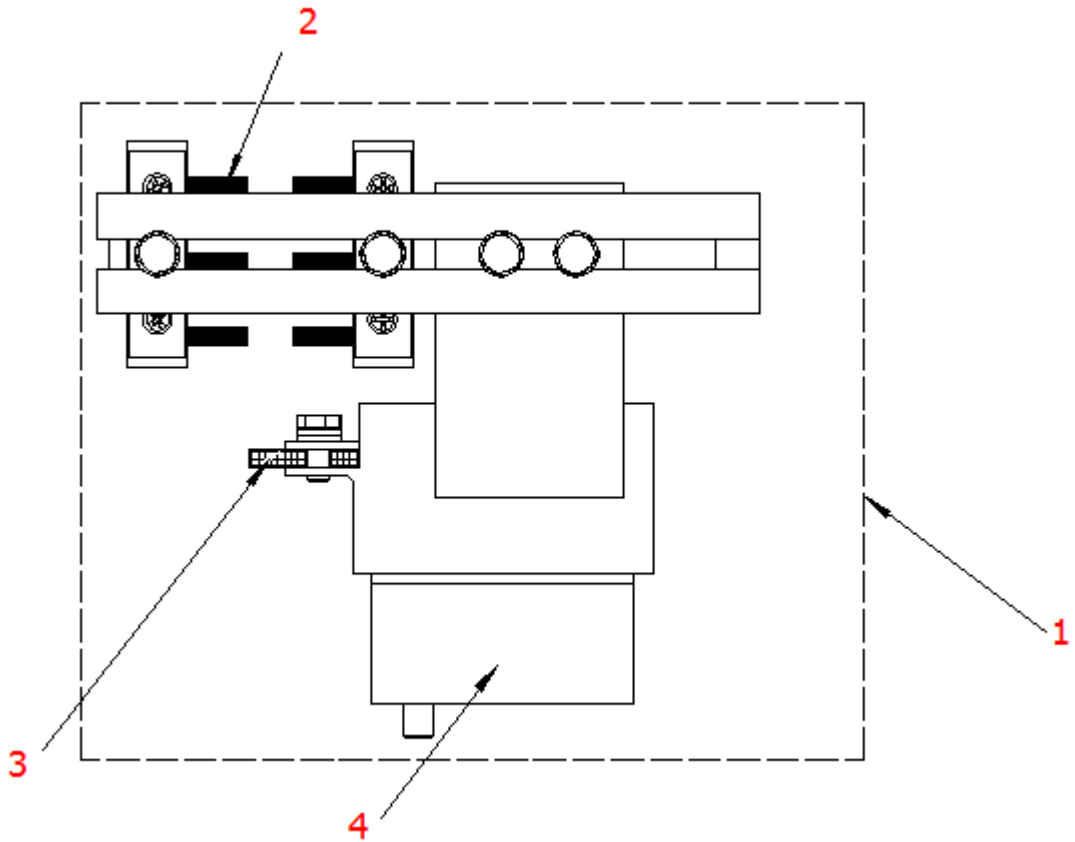
Spare Parts Leaflet
06 - DAA20220AK



MACHINE ASS'Y				
No.	PART No.	DESCRIPTION	QUAN.	USED FOR
23	DAA384ZF2	HEAT PROTECTION COVER	1	DAA20220AK_
24	DAA273CS2	COVER AND FAN ASS'Y (5M/S, GB/EN, 220/240V FAN)	1	

ELEVATOR MACHINE BOMCO 3

Spare Parts Leaflet
06 - DAA20220AK

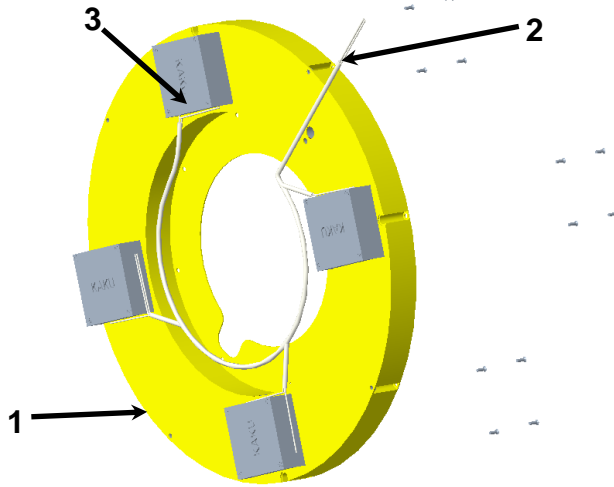


ROPE LUBRICATE SYSTEM

No.	PART No.	DESCRIPTION	QUAN.	USED FOR
1	DAA26EF1	LUBRICATOR/BRUSH ASSY.	1	DAA20220AK_
2	DAA241G1	BRUSH	2	
3	DAA488C1	WICK FELT	1	
4	DAA316AVL1	OIL BOX	1	

ELEVATOR MACHINE BOMCO 3

Spare Parts Leaflet
06 - DAA20220AK



COVER AND FAN ASS'Y

No.	PART No.	DESCRIPTION	QUAN.	USED FOR
1	DAA273AG3	HEAT PROTECTION COVER	1	DAA273CS2
2	DAA175CV1	FAN CABLE	1	
3	DAA713E3	FAN (GB/EN, 220/240V)	4	
	ISO7046M5X16H-4.8Z	CROSS RECESSED COUNTERSUNK FLAT HEAD SCREW	16	