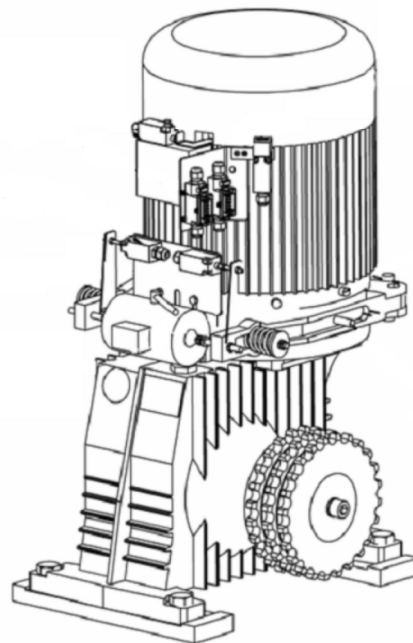


**512NCE_ANSI Escalator
Machine EC-W1B-ANSI**

Spare Parts Leaflet

06-DAA20401H

2010-05-11, Page 1 of 11



OTIS

**SERVICE ENGINEERING
Otis Elevator Company
Bloomfield, Connecticut USA**

Unpublished Work—© Otis Elevator Co.; 2010

06-DAA20401H

History

Leaflet Description

Machine EC-W1B-ANSI-18.6KW for 512 NCE_ANSI

Leaflet Revisions

Date Revised	Subject Matter Expert	Reason for Revision
2009-5-20	Zhang, Yongbo	Original document
2009-11-20	Zh.Chen	Add DAA234K1-CB in page 6, change sprocket in page 9,11.
2010-02-10	Jeff Xu	All page: Update revise date on all page to show the latest version Page 10: add motor and brake power cable.
2010-05-11	Zeng Feng	Page 10: add wrench adapter
2013-04-02 (CN400475)	HENRY ZHU	Page7: Change brake magnet PCB from DAA234K1-CB to DAA28600BE2; Page 3, 7, 9, 10, 11, 13, move semi-outdoor from indoor to outdoor.

Related Drawings

Drawing No.	Title	Drawing No.	Title
DAA20401H	EC-W1B-ANSI-18.6		

Related Documents

Document ID	Title
ODS DAA27076EK	EC-W1B-ANSI-18.6

Subject Matter Expert

Name	Department
Tom Charney	OSC Service Engineering

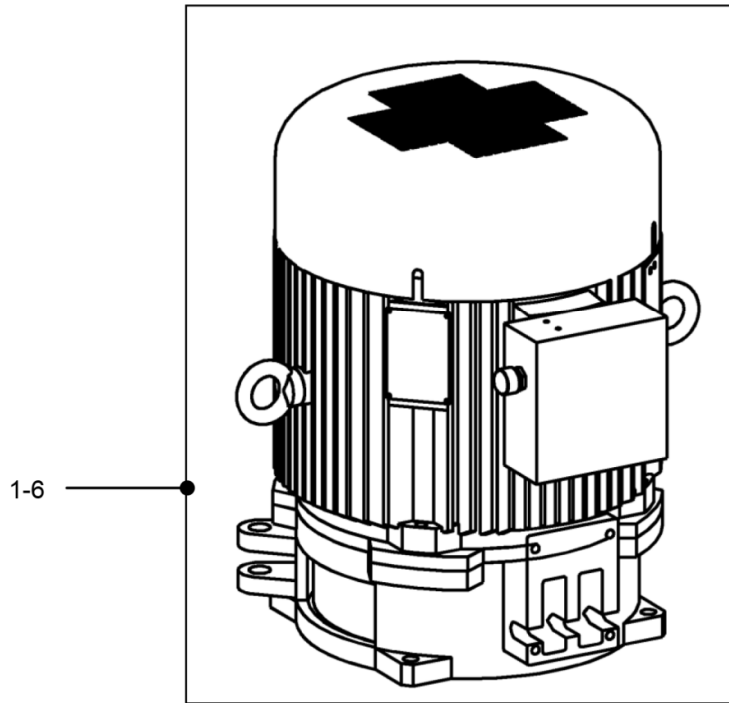
About Spare Parts Leaflets

This document lists the lowest replaceable units (LRUs) for the standard version of the product. The LRUs are chosen by a team of Otis associates representing engineering and manufacturing.

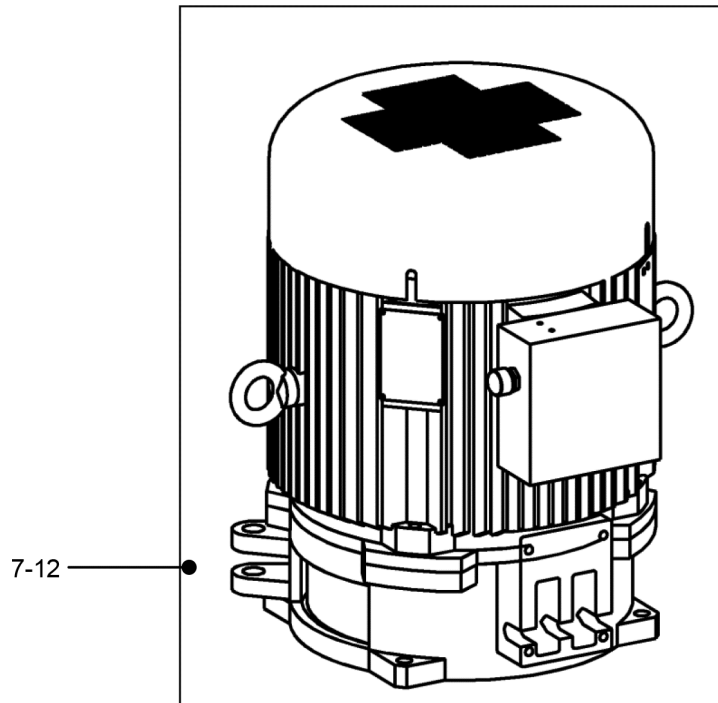
While goal of this document is to make parts identification as easy as possible, the document cannot be all-inclusive. Elevator and escalator contracts classified as "special" or "custom" are not addressed here. For such contracts, please refer to specified information, the contract folder, TIPs, Field Education Articles, Construction Letters, etc. for further information.

If you have any suggestions about this document, please contact the subject matter expert listed on this page.

Motor , for indoor



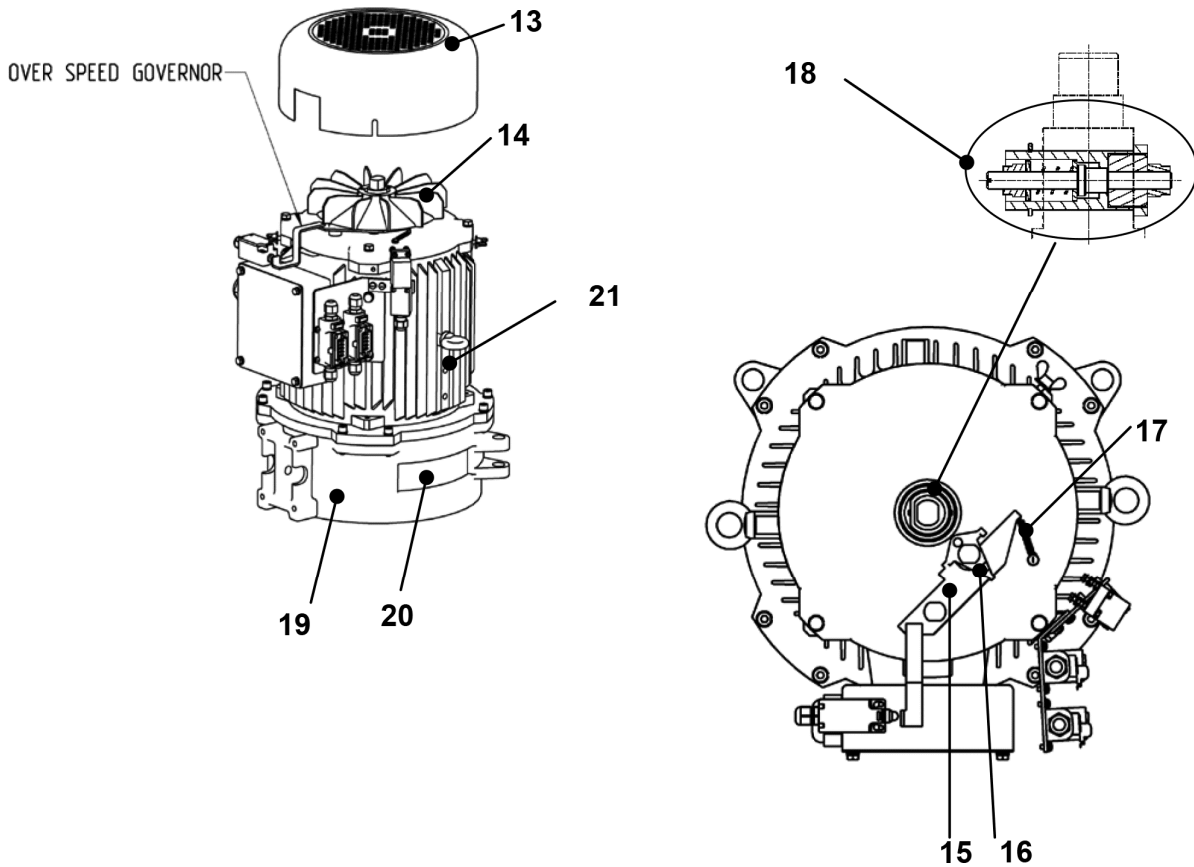
DAA20401H		
REF. No.	PART No.	DESCRIPTION
1	DAA20550J1	Motor (18.6Kw, 60Hz, 1200rpm, IP55, 200/220V, w/ over speed governor), for indoor
2	DAA20550J2	Motor (18.6Kw, 60Hz, 1200rpm, IP55, 200/220V, w/o over speed governor) , for indoor
3	DAA20550J3	Motor (18.6Kw, 60Hz, 1200rpm, IP55, 480V, w/ over speed governor) , for indoor
4	DAA20550J4	Motor (18.6Kw, 60Hz, 1200rpm, IP55, 480V, w/o over speed governor) , for indoor
5	DAA20550J5	Motor (18.6Kw, 60Hz, 1200rpm, IP55, 600V, w/ over speed governor) , for indoor
6	DAA20550J6	Motor (18.6Kw, 60Hz, 1200rpm, IP55, 600V, w/o over speed governor) , for indoor



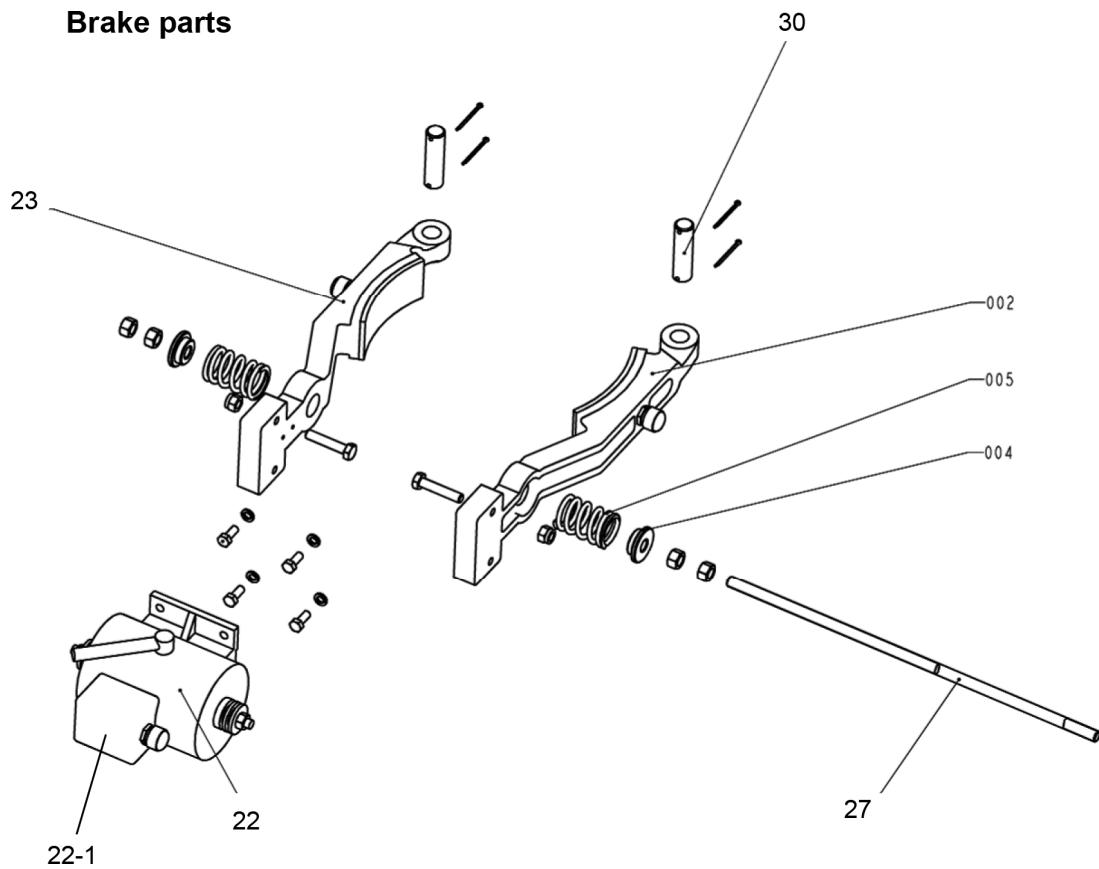
DAA20401H		
REF. No.	PART No.	DESCRIPTION
7	DAA20550J101	Motor (18.6Kw, 60Hz, 1200rpm, IP55, 200/220V, w/ over speed governor), for outdoor / semi-outdoor
8	DAA20550J102	Motor (18.6Kw, 60Hz, 1200rpm, IP55, 200/220V, w/o over speed governor) , for outdoor / semi-outdoor
9	DAA20550J103	Motor (18.6Kw, 60Hz, 1200rpm, IP55, 480V, w/ over speed governor), for outdoor / semi-outdoor
10	DAA20550J104	Motor (18.6Kw, 60Hz, 1200rpm, IP55, 480V, w/o over speed governor), for outdoor / semi-outdoor
11	DAA20550J105	Motor (18.6Kw, 60Hz, 1200rpm, IP55, 600V, w/ over speed governor), for outdoor / semi-outdoor
12	DAA20550J106	Motor (18.6Kw, 60Hz, 1200rpm, IP55, 600V, w/o over speed governor), for outdoor / semi-outdoor

**512NCE_ANSI ESCALATOR
Machine EC-W1B-ANSI**

06-DAA20401H

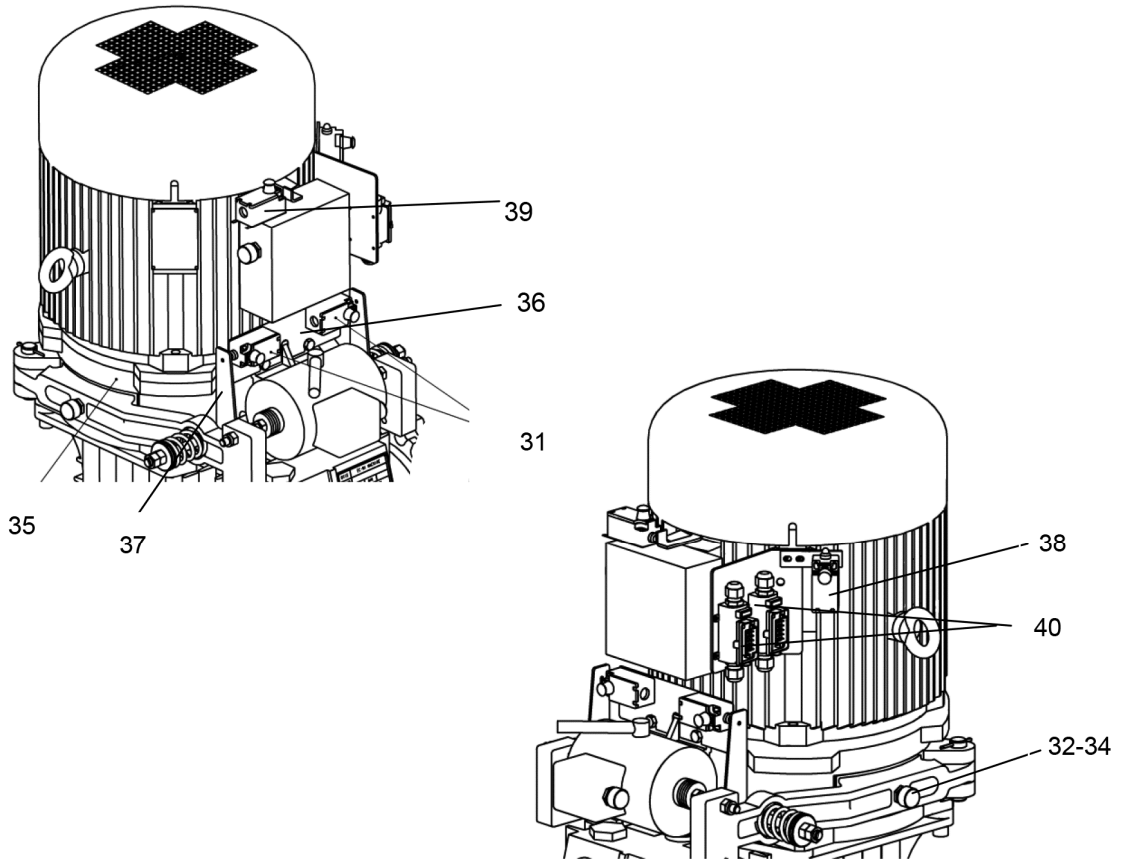


DAA20401H		
REF. No	PART No.	DESCRIPTION
13	DAA20550J-001	Motor cover, blue
14	DAA20550J-002	Fan
15	DAA20550J-003	Over speed switch plate
16	DAA20550J-004	Tripper of over speed governor
17	DAA20550J-005	Spring of over speed governor
18	DAA20550J-006	Over speed governor (1360-1380rpm)
19	DAA20550J-007	Flange connection between motor and gearbox
20	DAA20550J-008	Brake sheave
21	DAA20550J-009	Motor upper cover

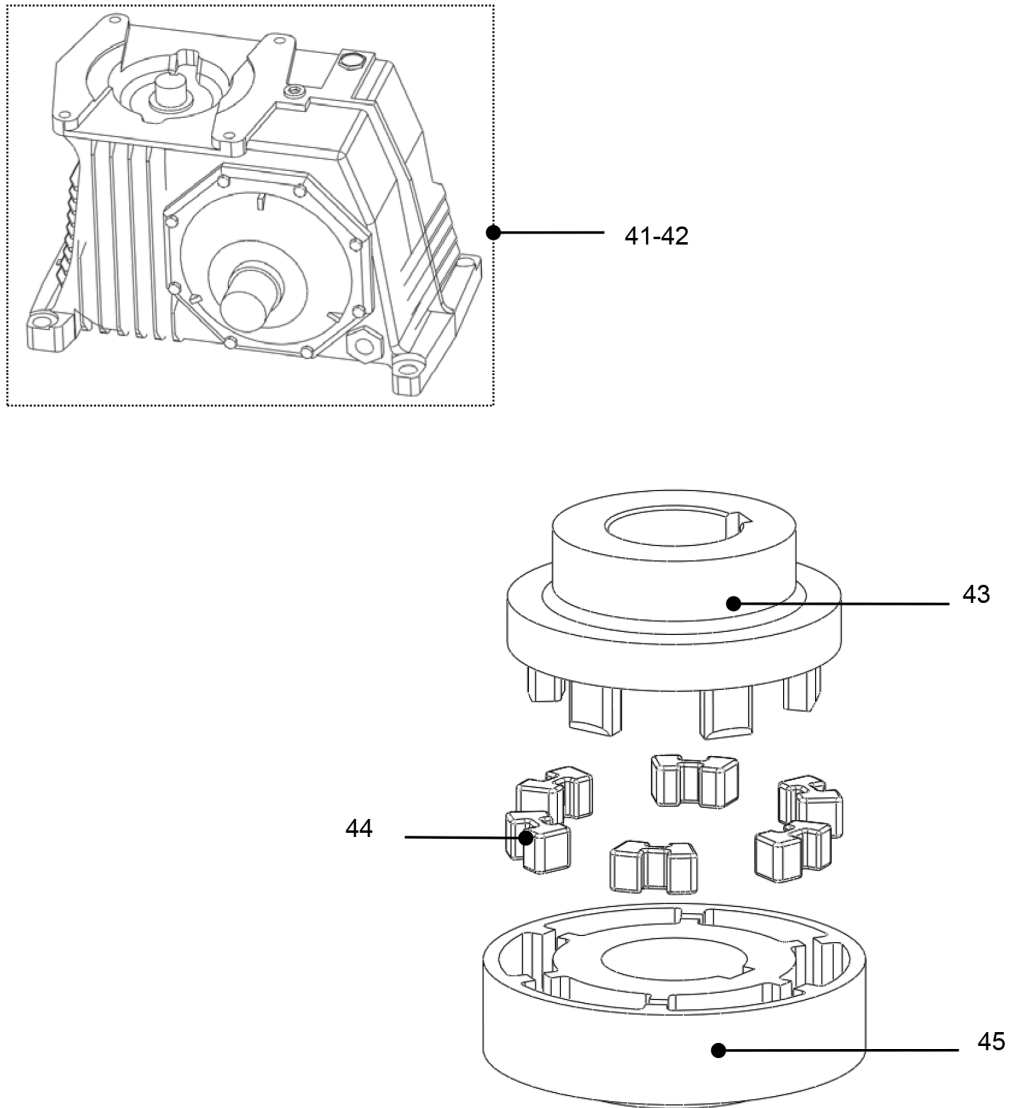


DAA20401F		
REF. No.	PART No.	DESCRIPTION
22	DAA234K1	Brake magnet
22-1	DAA26800BE2	Brake magnet circuit board
23	DAA286R1	Brake arm , w/ break lining wear, indoor
24	DAA286R2	Brake arm, w/o break lining wear, indoor
25	DAA286R101	Brake arm , w/ break lining wear, outdoor / semi-outdoor
26	DAA286R102	Brake arm, w/o break lining wear, outdoor / semi-outdoor
27	GAA98BZ1	Rod
28	GAA131AF2	Spring holder
29	DAA90AE2	Spring
30	ISO2340-20X75	Pin

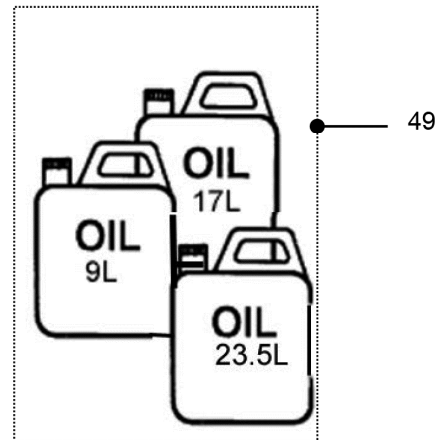
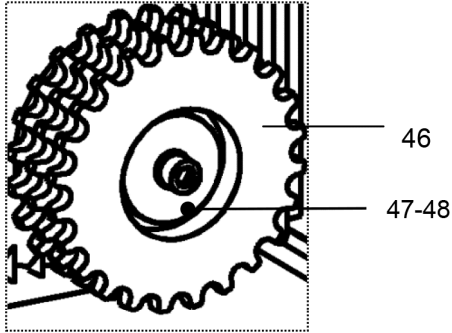
Safety device



DAA20401H		
REF. No.	PART No.	DESCRIPTION
31	GOA177BX1	Switch for brake lift monitoring device
32	GAA174APJ4	Cable for Brake lining wear device
33	GAA174APJ9	Cable for Brake lining wear device
34	GAA174APJ10	Cable for Brake lining wear device
35	DAA177AX2	Sensor for non reversing device, 2 pieces
36	DAA316ADA1	Bracket
37	DAA316ACZ1	Bracket
38	DAA177AF1	Switch for hand wheel safety contact
39	GOA177BX4	Switch for over speed device
40	GAA176JM1	Connector housing



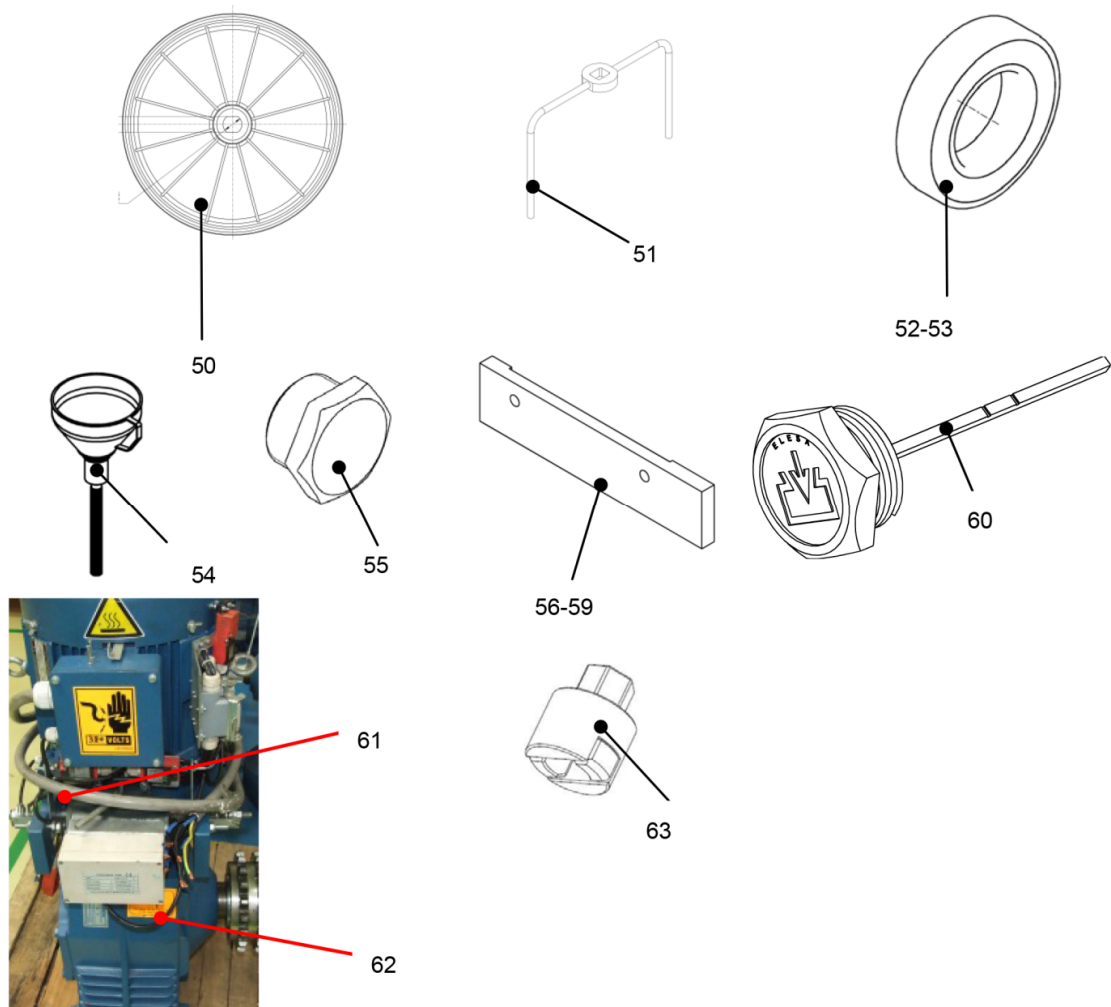
DAA20401H		
REF. No.	PART No.	DESCRIPTION
41	GAA20000M1	Gear box (CRW180), indoor
42	GAA20000M101	Gear box (CRW180), outdoor / semi-outdoor
43	DAA218V1	Coupling, motor side
44	DAA218W1	Coupling, gear side
45	DAA320AB1	Coupling bumper



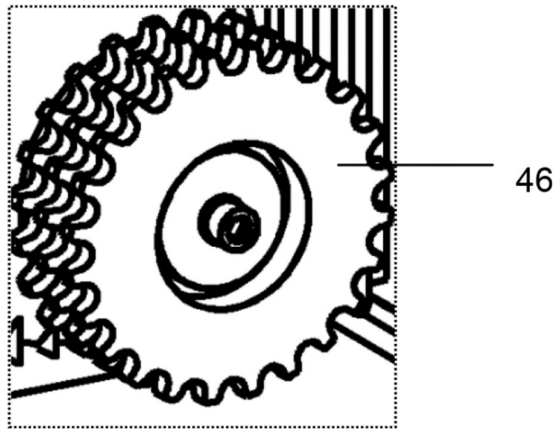
DAA20401H		
REF. No.	PART No.	DESCRIPTION
46	DAA195AH7	Sprocket, 23 teeth, Triplex, indoor
46-1	DAA195AH107	Sprocket, 23 teeth, Triplex, outdoor / semi-outdoor
47	GAA131AAH1	Sprocket holder, indoor
48	GAA131AAH101	Sprocket holder, outdoor / semi-outdoor
49	GAA33BG1	Gear box oil (MoBil Glygoyle 460, 17L)

**512NCE_ANSI ESCALATOR
Machine EC-W1B-ANSI**

06-DAA20401H



DAA20401H		
REF. No.	PART No.	DESCRIPTION
50	GAA28JC1	Hand wheel
51	DAA20250K1	Brake release tool
52	NSK 6314ZZ	Motor bearing, lower
53	NSK 6312ZZ	Motor bearing, upper
54	DAA349A1	Funnel tube
55	GAA65ES1	Oil plunger (for transportation)
56	DAA180FE1	Machine bottom plate (as shown), indoor
57	DAA180FE2	Machine bottom plate (opposite), indoor
58	DAA180FE101	Machine bottom plate (as shown), outdoor / semi-outdoor
59	DAA180FE102	Machine bottom plate (opposite), outdoor / semi-outdoor
60	DAA65AW1	Oil plug
61	DAA174AFW2	Motor power supply cable
62	DAA174AFW11	Brake magnet power supply cable
63	DAA270AK1	Wrench adapter



		DAA20401H
REF. No.	PART No.	DESCRIPTION
46-2	GAA195QC7	Sprocket, 23 teeth, Triplex, indoor
46--3	GAA195QC107	Sprocket, 23 teeth, Triplex, outdoor / semi-outdoor